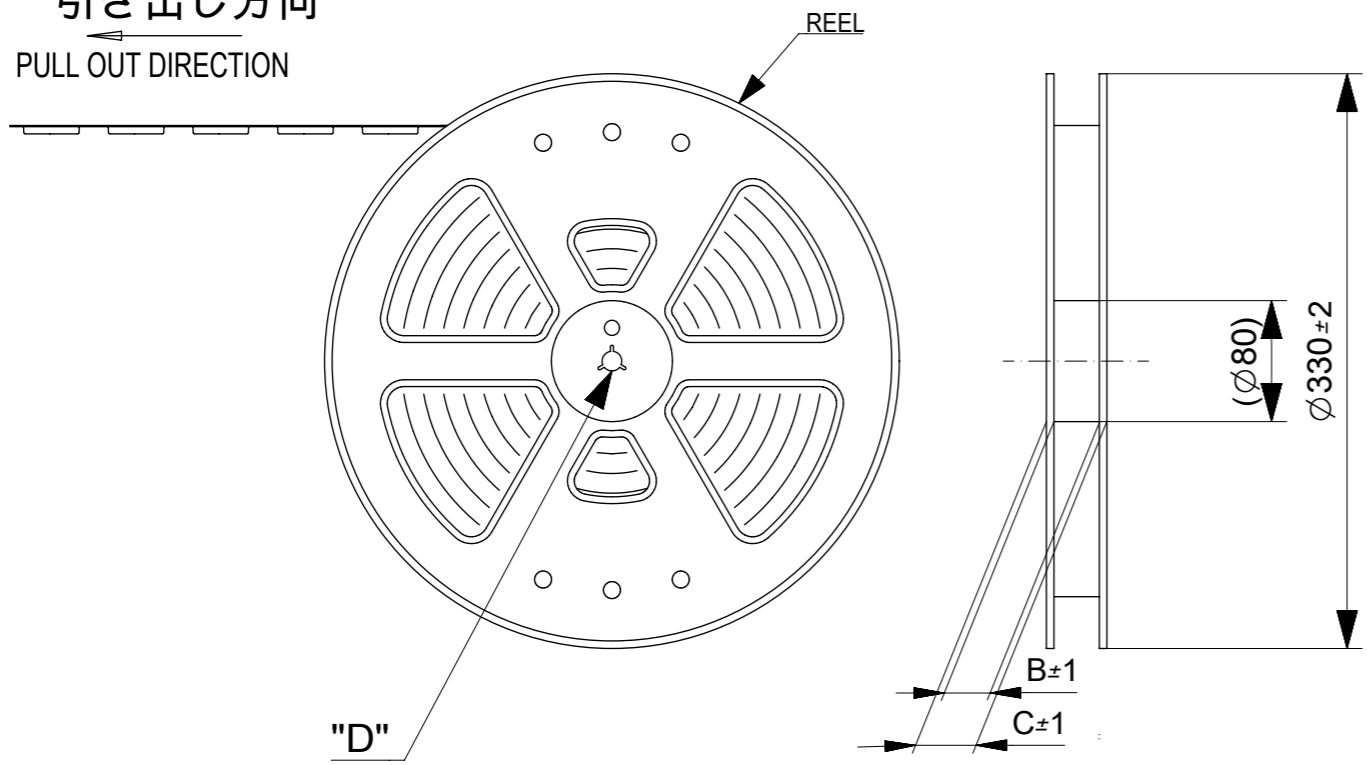
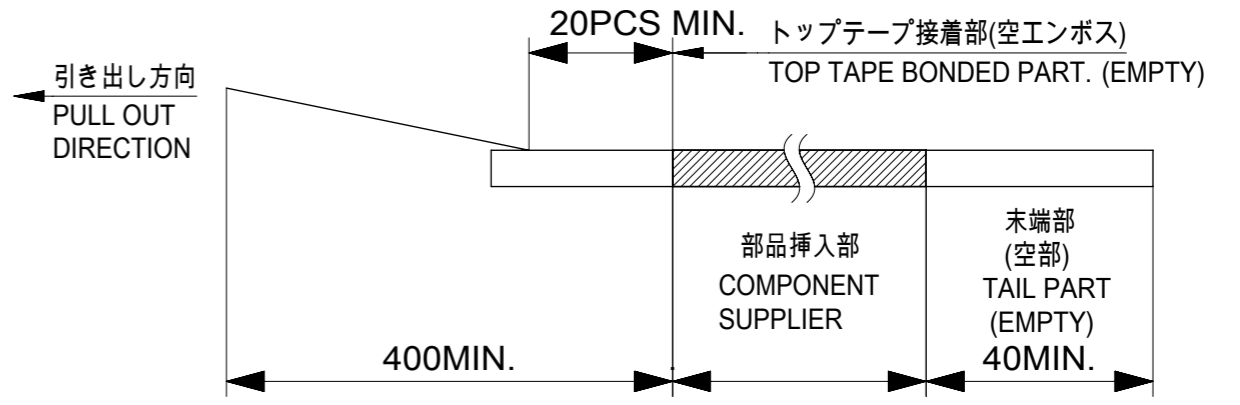


引き出し方向
PULL OUT DIRECTION

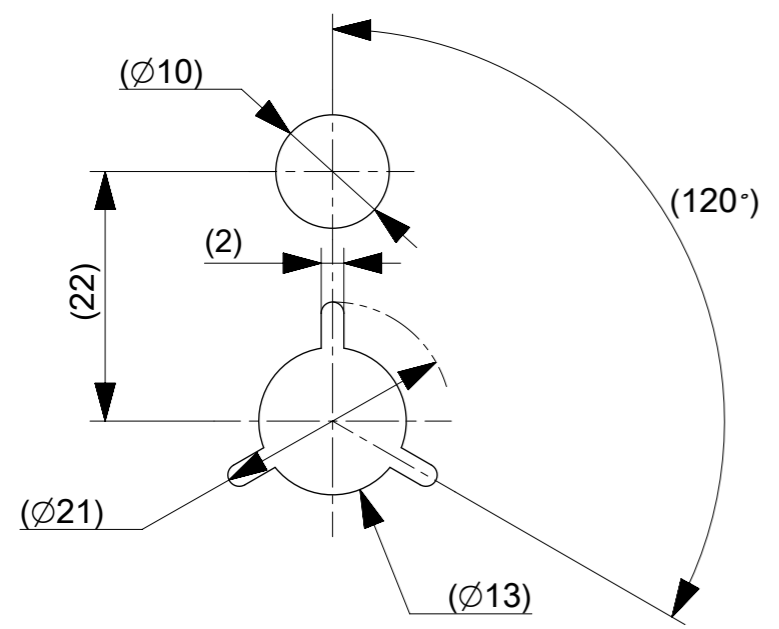


注記 NOTES

- 製品詳細寸法については製品単体図面を参照下さい。
RE DETAILED DIMENSION, SEE PRODUCT DRAWING.
- 梱包数量：3000個 / リール
NUMBER OF CONNECTORS : 3000 PCS/REEL.
- リードテープ長さ LEAD TAPE LENGTH.



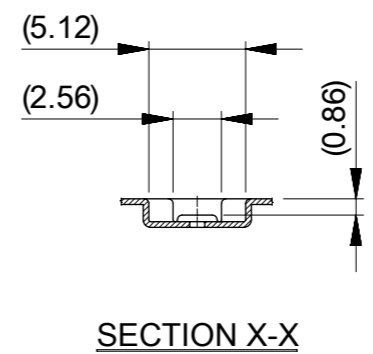
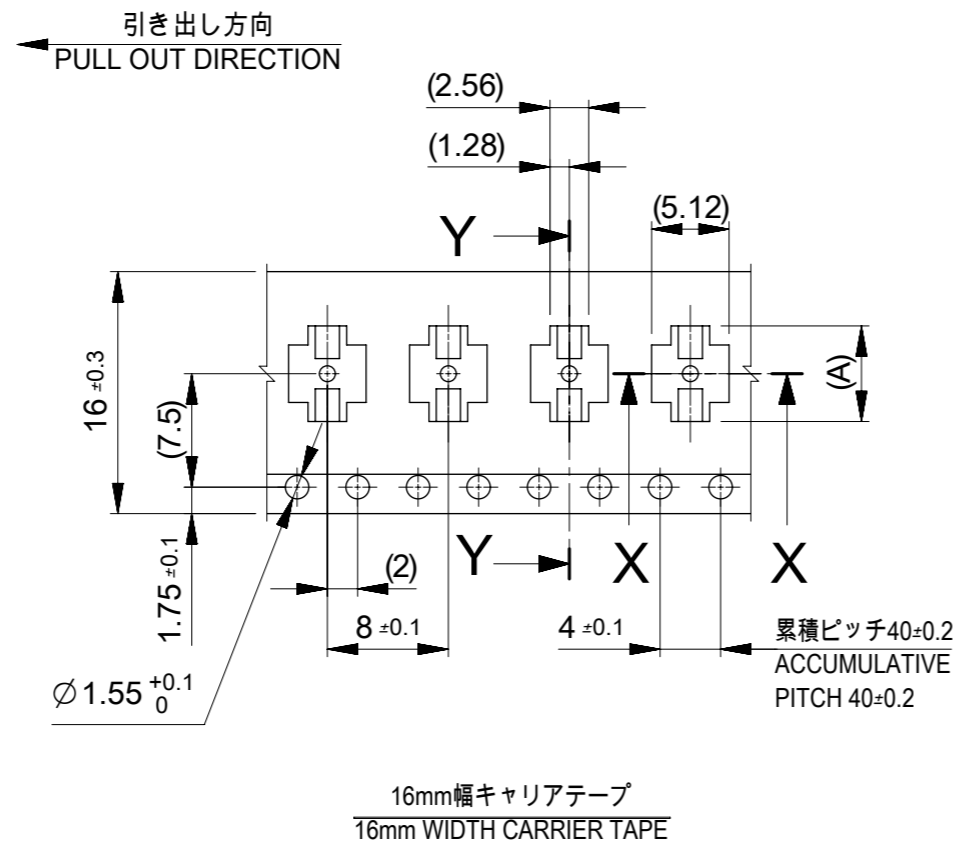
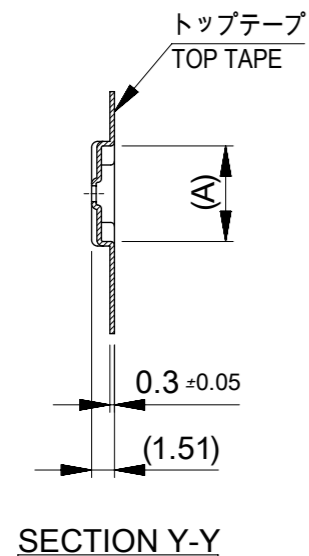
- カバーテープの剥離強度については、IEC60286-3に準拠。
COVER TAPE PEEL FORCE IS DEFINED BY IEC60286-3.
- 材料 MATERIAL
キャリアテープ(CARRIER TAPE) : ポリスチレン(POLYSTYRENE)
トップテープ(TOP TAPE) : PET, OTHER
リール(REEL) : ポリスチレン(PS) <リサイクル材を含む>
POLYSTYRENE(PS) <RECYCLE MATERIAL CONTAINED >
- ELV 及び RoHS適合品
ELV AND RoHS COMPLIANT



DETAIL "D"

THIS DRAWING CONTAINS INFORMATION THAT IS PROPRIETARY TO MOLEX ELECTRONIC TECHNOLOGIES, LLC AND SHOULD NOT BE USED WITHOUT WRITTEN PERMISSION

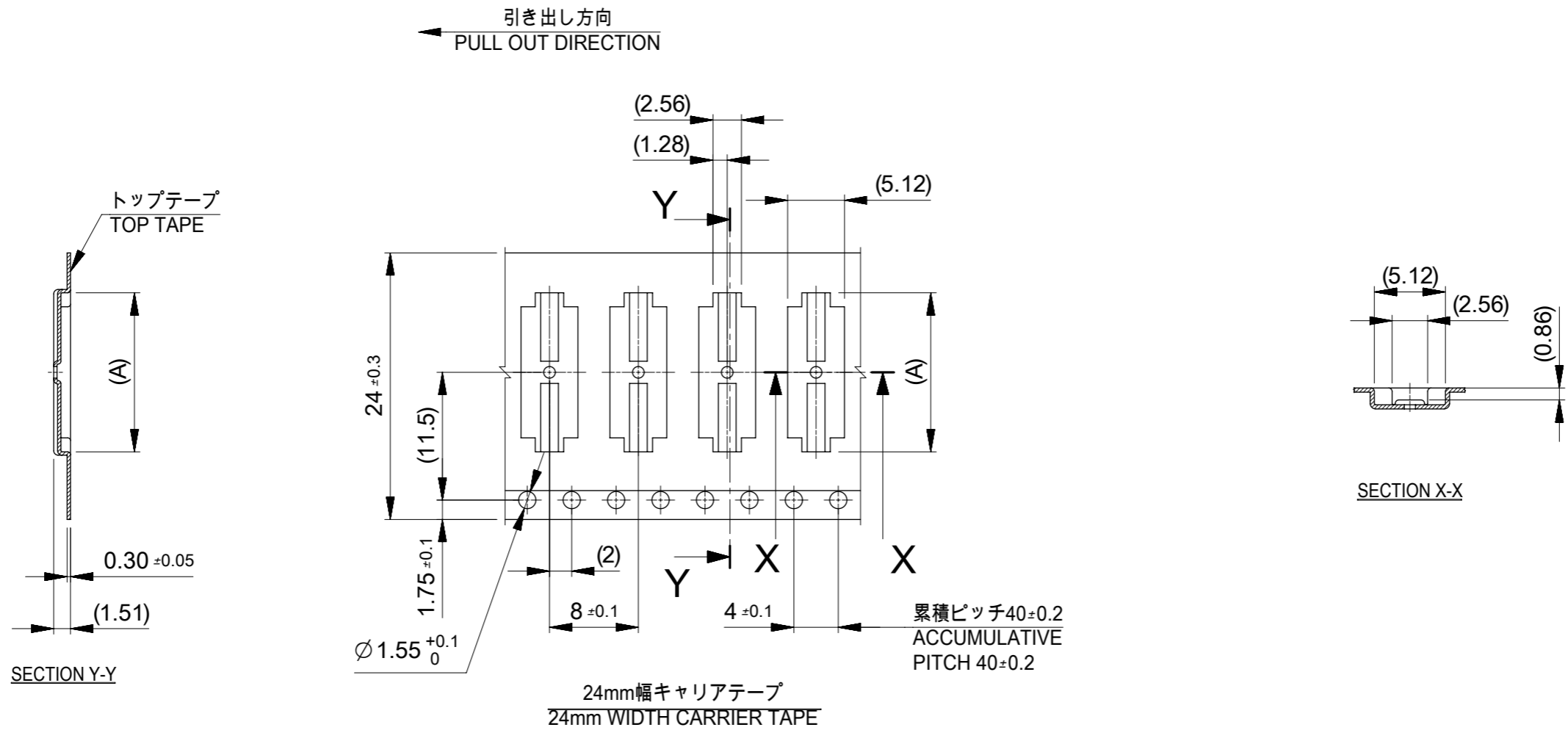
EC NO: 108729 DRWN: JFURUKAWA CHK'D: TASAKAWA APPR: KMORIKAWA	2016/09/21	GENERAL TOLERANCES (UNLESS SPECIFIED)		DIMENSION UNITS	SCALE					
	2016/09/27	ANGULAR TOL ± 3.0 °		MM	NTS					
	A REV	1	4 PLACES	± 0.03	DRWN BY	DATE	0.4 BB CONN. HGT=0.8 REC ASSY EMBSTP PKG			
		2	3 PLACES	± 0.03	JFURUKAWA	2016/09/21				
3		2 PLACES	± 0.05	CHK'D BY	DATE					
	4	1 PLACE	± 0.1	TASAKAWA	2016/09/27	PRODUCT CUSTOMER DRAWING				
	5	0 PLACES	± 0.2	APPR BY	DATE	SERIES	MATERIAL NUMBER	CUSTOMER		
		DRAFT WHERE APPLICABLE MUST REMAIN WITHIN DIMENSIONS		DRAWING SIZE	THIRD ANGLE PROJECTION	503772	SEE CHART	GENERAL		
				A3		DOCUMENT NUMBER		DOC TYPE	DOC PART	SHEET NUMBER
						5037720000		PSD	000	1 OF 3



16	21.4	17.4	7.32	503772-2410	24
			6.52	503772-2010	20
			5.72	503772-1610	16
			4.52	503772-1010	10
キャリアテープ幅 CARRIER TAPE WIDTH		C	B	(A)	MATERIAL NO. CKT. MODEL NO. 503772-***0

THIS DRAWING CONTAINS INFORMATION THAT IS PROPRIETARY TO MOLEX ELECTRONIC TECHNOLOGIES, LLC AND SHOULD NOT BE USED WITHOUT WRITTEN PERMISSION

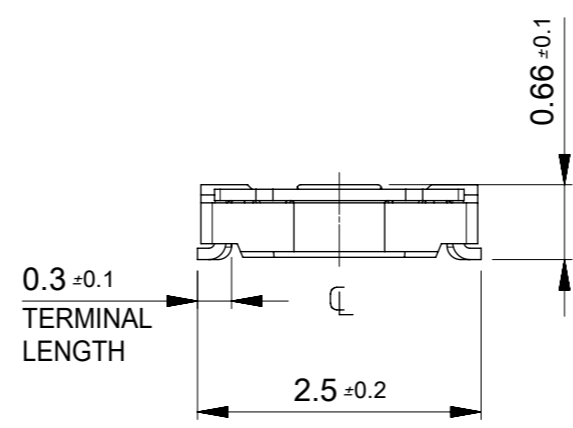
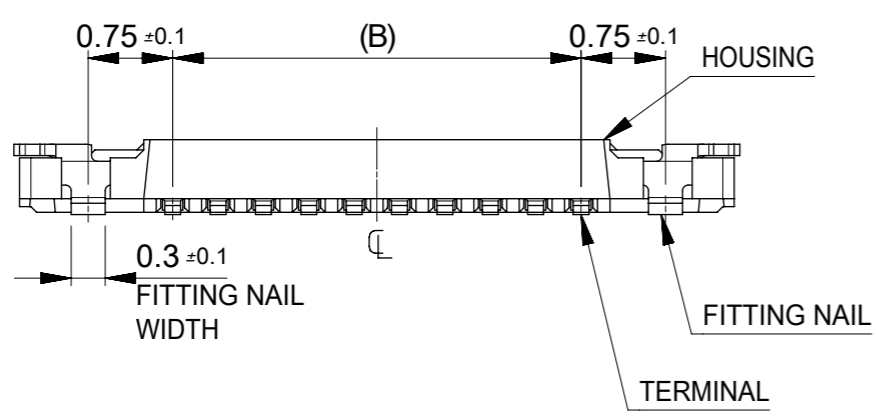
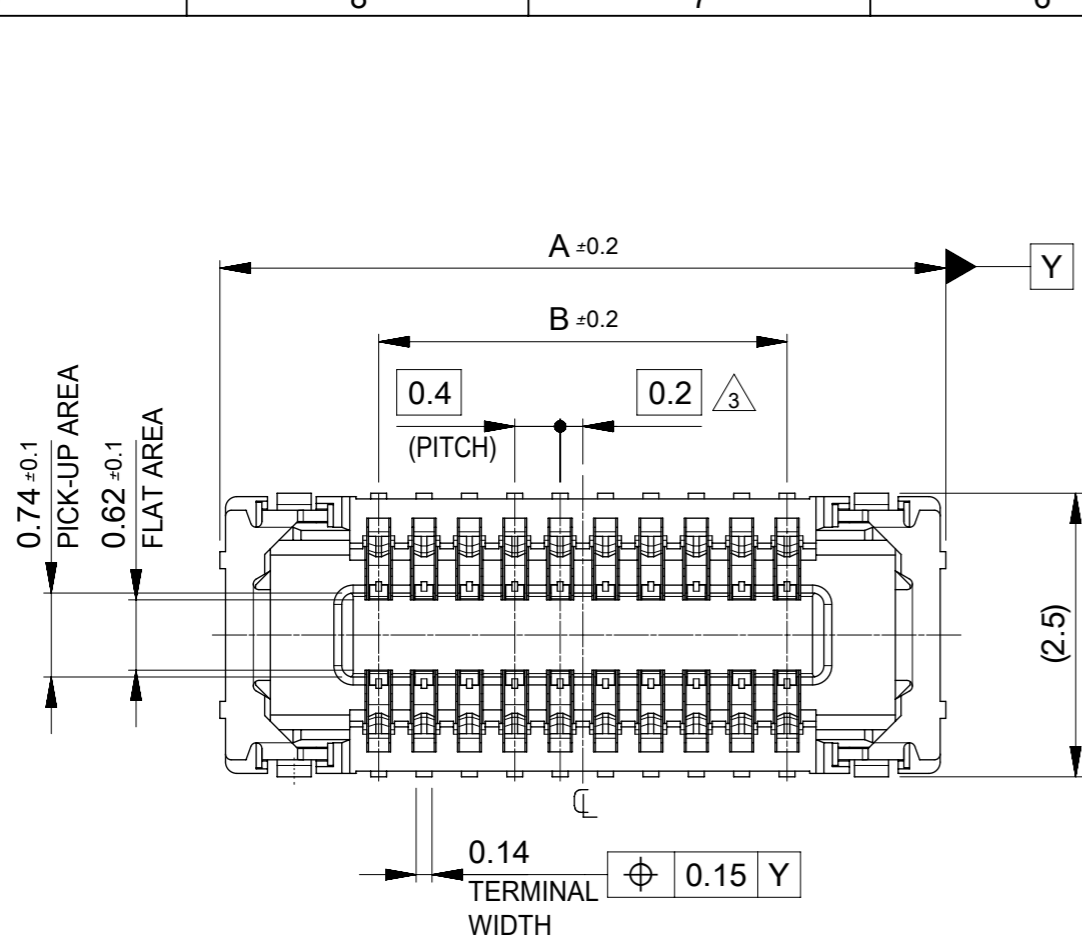
EC NO: 108729 DRWN: JFURUKAWA CHK'D: TASAKAWA APPR: KMORIKAWA	2016/09/21	GENERAL TOLERANCES (UNLESS SPECIFIED)	DIMENSION UNITS	SCALE		
	2016/09/27	ANGULAR TOL ± 3.0 °	MM	NTS		
	2016/09/27	4 PLACES ± 0.03	DRWN BY	DATE		0.4 BB CONN. HGT=0.8 REC ASSY EMBSTP PKG
		3 PLACES ± 0.03	JFURUKAWA	2016/09/21		
		2 PLACES ± 0.05	CHK'D BY	DATE		PRODUCT CUSTOMER DRAWING
	1 PLACE ± 0.1	TASAKAWA	2016/09/27			
	0 PLACES ± 0.2	APPR BY	DATE	SERIES: 503772 MATERIAL NUMBER: SEE CHART CUSTOMER: GENERAL		
	DRAFT WHERE APPLICABLE MUST REMAIN WITHIN DIMENSIONS	KMORIKAWA	2016/09/27			
A	REV	DRAWING SIZE	THIRD ANGLE PROJECTION	DOCUMENT NUMBER: 5037720000 DOC TYPE: PSD DOC PART: 000 SHEET NUMBER: 2 OF 3		
		A3				



24	29.4	25.4	14.52	503772-6010	60
			12.52	503772-5010	50
			10.52	503772-4010	40
			9.32	503772-3410	34
			8.52	503772-3010	30
キャリアテープ幅 CARRIER TAPE WIDTH			C	B	(A)
			MATERIAL NO.	CKT.	
			MODEL NO.	503772-***0	

THIS DRAWING CONTAINS INFORMATION THAT IS PROPRIETARY TO MOLEX ELECTRONIC TECHNOLOGIES, LLC AND SHOULD NOT BE USED WITHOUT WRITTEN PERMISSION

EC NO: 108729 DRWN: JFURUKAWA CHK'D: TASAKAWA APPR: KMORIKAWA	2016/09/21	GENERAL TOLERANCES (UNLESS SPECIFIED)	DIMENSION UNITS	SCALE				
	2016/09/27	ANGULAR TOL ± 3.0 °	MM	NTS				
	REV A	2016/09/27	4 PLACES ± 0.03	DRWN BY	DATE	0.4 BB CONN. HGT=0.8 REC ASSY EMBSTP PKG		
			3 PLACES ± 0.03	JFURUKAWA	2016/09/21			
			2 PLACES ± 0.05	CHK'D BY	DATE			
			1 PLACE ± 0.1	TASAKAWA	2016/09/27			
			0 PLACES ± 0.2	APPR BY	DATE			
		DRAFT WHERE APPLICABLE MUST REMAIN WITHIN DIMENSIONS		KMORIKAWA	2016/09/27	PRODUCT CUSTOMER DRAWING		
				DRAWING SIZE	THIRD ANGLE PROJECTION	SERIES	MATERIAL NUMBER	CUSTOMER
				A3		503772	SEE CHART	GENERAL
					DOCUMENT NUMBER	DOC TYPE	DOC PART	SHEET NUMBER
					5037720000	PSD	000	3 OF 3



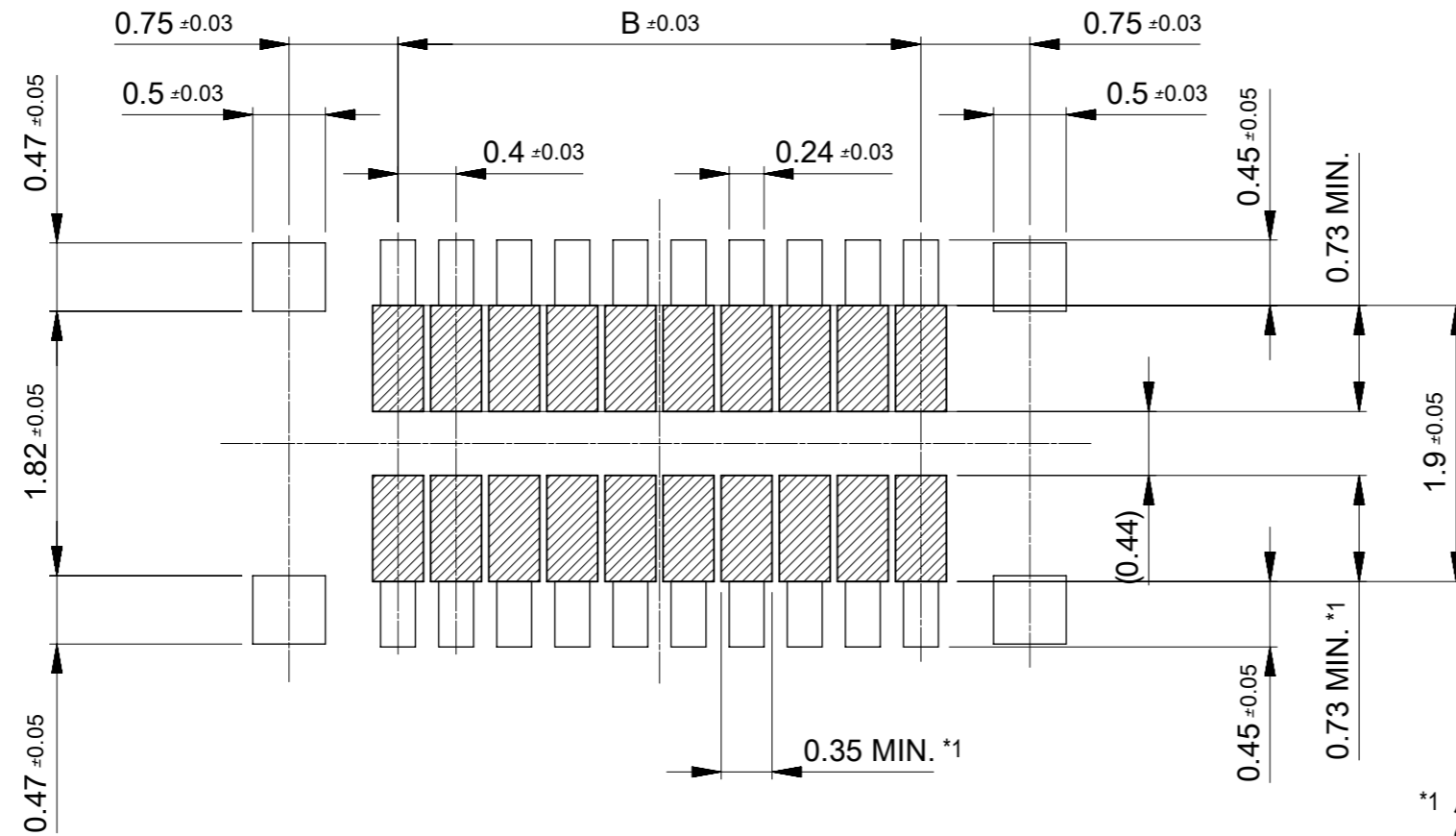
注記 NOTES

- 使用材料 MATERIAL
 - ハウジング:液晶ポリマー(LCP) UL94V-0(黒)
 - HOUSING : LIQUID CRYSTAL POLYMER UL94V-0 (COLOR : BLACK)
 - ターミナル : 銅合金
 - TERMINAL : COPPER ALLOY
 - 金具 : SUS
 - FITTING NAIL : STAINLESS STEEL
- メッキ仕様 PLATING
 - ターミナル TERMINAL
 - 金メッキ
 - GOLD
 - 下地メッキ : ニッケルメッキ
 - UNDER PLATING : NICKEL
 - ※コンタクト部とテール部はニッケルメッキによって分断されている金メッキです。
 - DIVIDE INTO PARTS THE GOLD PLATING OF THE CONTACT AND THE TAIL PART BY THE NICKEL PLATING.
 - 金具 FITTING NAIL
 - 金メッキ(半田付部のみ)
 - GOLD (SOLDER TAIL ONLY)
 - 下地メッキ : ニッケルメッキ
 - UNDER PLATING : NICKEL
- △₃(全極数/2)=偶数の場合に適用。
APPLY FOR (CIRCUIT/2)=EVEN.
- 嵌合相手 : 503776 シリーズ
MATE WITH : 503776 SERIES.
- テール及び金具の平坦度は、0.08以下。60極は0.1以下。
TAIL AND FITTING NAIL COPLANARITY TO BE 0.08 MAXIMUM.
TAIL AND FITTING NAIL COPLANARITY WITH 60ckt TO BE 0.1 MAXIMUM.
- ELV and RoHS COMPLIANT

11.6	14.4	503772-6010	60
9.6	12.4	503772-5010	50
7.6	10.4	503772-4010	40
6.4	9.2	503772-3410	34
5.6	8.4	503772-3010	30
4.4	7.2	503772-2410	24
3.6	6.4	503772-2010	20
2.8	5.6	503772-1610	16
1.6	4.4	503772-1010	10
B	A	EMBOSSED PACKAGE	極数
		オーダー番号 ORDER No.	CIRCUITS
		CONNECTOR SERIES No. : 503772	

THIS DRAWING CONTAINS INFORMATION THAT IS PROPRIETARY TO MOLEX ELECTRONIC TECHNOLOGIES, LLC AND SHOULD NOT BE USED WITHOUT WRITTEN PERMISSION

EC NO: 108729 DRWN: JFURUKAWA CHK'D: TASAKAWA APPR: KMORIKAWA	2016/09/21	GENERAL TOLERANCES (UNLESS SPECIFIED)		DIMENSION UNITS	SCALE				
	2016/09/27	ANGULAR TOL ± 3.0 °		MM	15:1				
	2016/09/27	4 PLACES	± 0.03	DRWN BY	DATE				
		3 PLACES	± 0.03	JFURUKAWA	2016/09/21				
		2 PLACES	± 0.05	CHK'D BY	DATE				
	1 PLACE	± 0.1	TASAKAWA	2016/09/27					
	0 PLACES	± 0.2	APPR BY	DATE					
			KMORIKAWA	2016/09/27					
			DRAFT WHERE APPLICABLE MUST REMAIN WITHIN DIMENSIONS	DRAWING SIZE	THIRD ANGLE PROJECTION	PRODUCT CUSTOMER DRAWING			
				A3		SERIES	MATERIAL NUMBER	CUSTOMER	
						503772	SEE TABLE	GENERAL	
						DOCUMENT NUMBER	DOC TYPE	DOC PART	SHEET NUMBER
						5037721000	PSD	000	1 OF 2



RECOMMENDED P.W.BOARD
PATTERN LAYOUT

*1 パターン引き回し、および半田禁止エリア
(当該箇所においては、これと接する回路以外の配線を禁止する。
また、接する回路を配線する場合はレジストを施し、この部分に
半田は無きこととする。)

*1 PROHIBITED AREA OF PATTERN WIRING AND SOLDER.
(FOR EACH AREA, THE WIRING THAT TOUCHES ON THE SOLDER
CAN BE ATTACHED, THEN COVERED WITH A FILM TO KEEP SOLDER OUT.)

THIS DRAWING CONTAINS INFORMATION THAT IS PROPRIETARY TO MOLEX ELECTRONIC TECHNOLOGIES, LLC AND SHOULD NOT BE USED WITHOUT WRITTEN PERMISSION

EC NO: 108729 DRWN: JFURUKAWA CHK'D: TASAKAWA APPR: KMORIKAWA	2016/09/21	GENERAL TOLERANCES (UNLESS SPECIFIED)		DIMENSION UNITS	SCALE	
	2016/09/27	ANGULAR TOL ± 3.0 °		MM	20:1	
	2016/09/27	4 PLACES ± 0.03	DRWN BY	DATE		
		3 PLACES ± 0.03	JFURUKAWA	2016/09/21		
		2 PLACES ± 0.05	CHK'D BY	DATE		
	1 PLACE ± 0.1	TASAKAWA	2016/09/27		PRODUCT CUSTOMER DRAWING	
	0 PLACES ± 0.2	APPR BY	DATE			
		KMORIKAWA	2016/09/27			
		DRAFT WHERE APPLICABLE MUST REMAIN WITHIN DIMENSIONS	DRAWING SIZE	THIRD ANGLE PROJECTION		SERIES: 503772 MATERIAL NUMBER: SEE TABLE CUSTOMER: GENERAL
			A3			DOCUMENT NUMBER: 5037721000 DOC TYPE: PSD DOC PART: 000 SHEET NUMBER: 2 OF 2