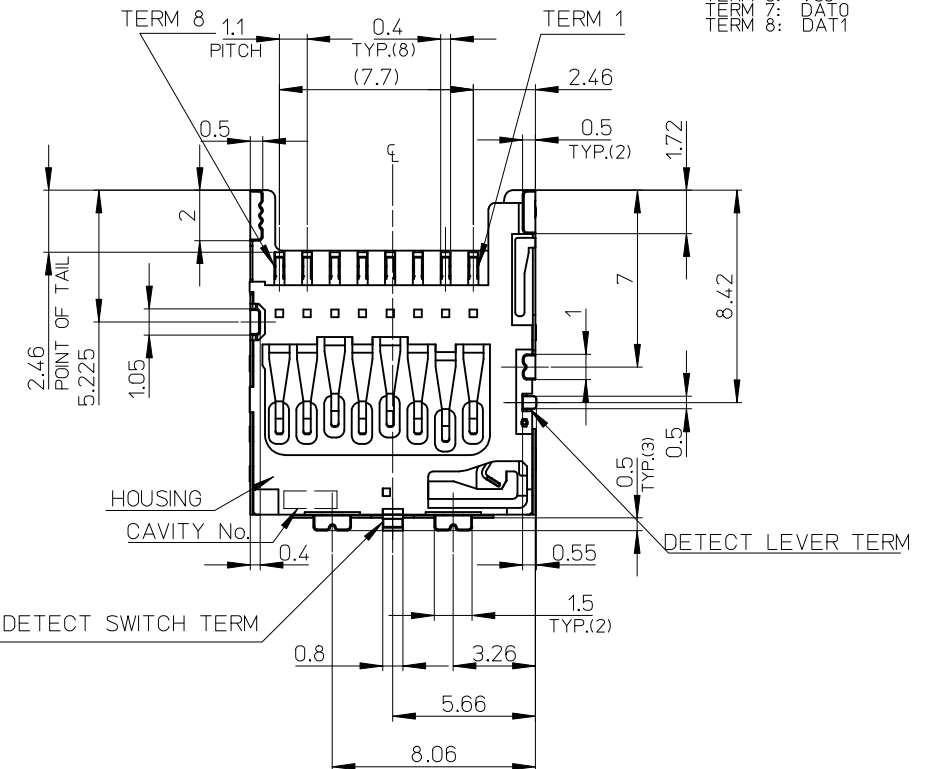
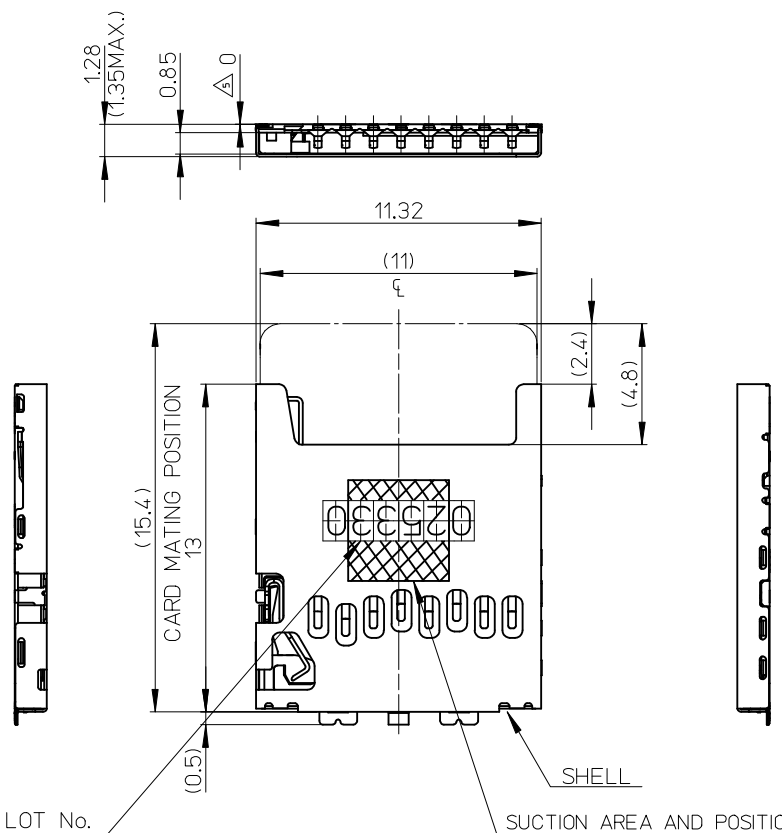


10 9 8 7 6 5 4 3 2 1



TERM 1: DATA2  
 TERM 2: CD/DAT3  
 TERM 3: CMD  
 TERM 4: vdd  
 TERM 5: CLK  
 TERM 6: VSS  
 TERM 7: DAT0  
 TERM 8: DAT1

LOT No. 0 25 3 1 1  
 THE LAST NUMBER OF YEAR  
 0 : 2010  
 1 : 2011  
 2 : 2012  
 A DAY OF THE WEEK (Europe and ISO Standard)  
 3 : Wednesday  
 WEEK NUMBER (Europe and ISO Standard)  
 25 : 25weeks  
 LINE No. SHIFT No.  
 00 : JAPAN  
 11 : DALIAN

504077-1891	8
EMBOSSED PACKAGE	CIRCUITS
ORDER NO.	
CONNECTOR SERIES No. 504077-1811	

REVISED EC NO: J2014-0485 DRWN: YGOTO 2013/09/17 CHKD: SAKIYAMA 2013/10/01 APPR: NUKITA 2013/10/16	GENERAL TOLERANCES (UNLESS SPECIFIED)		DIMENSION STYLE MM ONLY		SCALE 5:1	DESIGN UNITS METRIC	THIRD ANGLE PROJECTION	
	10 UNDER	±0.2	DRAWN BY	DATE	TITLE			
	10 OVER 30 UNDER	±0.25	MYAMANAKA	2012/02/28	MICRO SD CONN. PUSH/PULL H=1.28 WITH DETECT SW			
	30 OVER	±0.3	MTOMITA	2012/02/28				
ANGULAR	±1 °	APPROVED BY	DATE	MATERIAL NO.		DOCUMENT NO.		SHEET NO.
DRAFT WHERE APPLICABLE MUST REMAIN WITHIN DIMENSIONS		YOITO	2012/03/02	SEE CHART		SD-504077-001		1 OF 2
THIS DRAWING CONTAINS INFORMATION THAT IS PROPRIETARY TO MOLEX INCORPORATED AND SHOULD NOT BE USED WITHOUT WRITTEN PERMISSION								

NOTES : 1. MATERIAL

HOUSING : LIQUID CRYSTAL POLYMER  
 UL94V-0, COLOR:BLACK  
 TERMINAL : PHOSPHOR BRONZE  
 SHELL : STAINLESS STEEL  
 DETECT LEVER TERMINAL : PHOSPHOR BRONZE  
 DETECT SWITCH TERMINAL : PHOSPHOR BRONZE

2. PLATING

TERMINAL  
 (CONTACT AREA) GOLD 0.2 MICROMETER MINIMUM  
 NICKEL 1.0 MICROMETER MINIMUM  
 (TAIL AREA) GOLD 0.03 MICROMETER MINIMUM  
 NICKEL 1.0 MICROMETER MINIMUM  
 SHELL  
 (TAIL AREA) GOLD 0.03 MICROMETER MINIMUM  
 NICKEL 1.0 MICROMETER MINIMUM ALL OVER

DETECT LEVER TERMINAL :  
 (CONTACT AREA) GOLD 0.2 MICROMETER MINIMUM  
 NICKEL 1.0 MICROMETER MINIMUM  
 (TAIL AREA) AU 0.03 MICROMETER MINIMUM  
 NICKEL 1.0 MICROMETER MINIMUM

DETECT SWITCH TERMINAL :  
 (CONTACT AREA) GOLD 0.2 MICROMETER MINIMUM  
 NICKEL 1.0 MICROMETER MINIMUM  
 (TAIL AREA) GOLD 0.03 MICROMETER MINIMUM  
 NICKEL 1.0 MICROMETER MINIMUM

3. COPLANARITY TO BE 0.10 MAXIMUM.

4. ELV AND RoHS COMPLIANT.

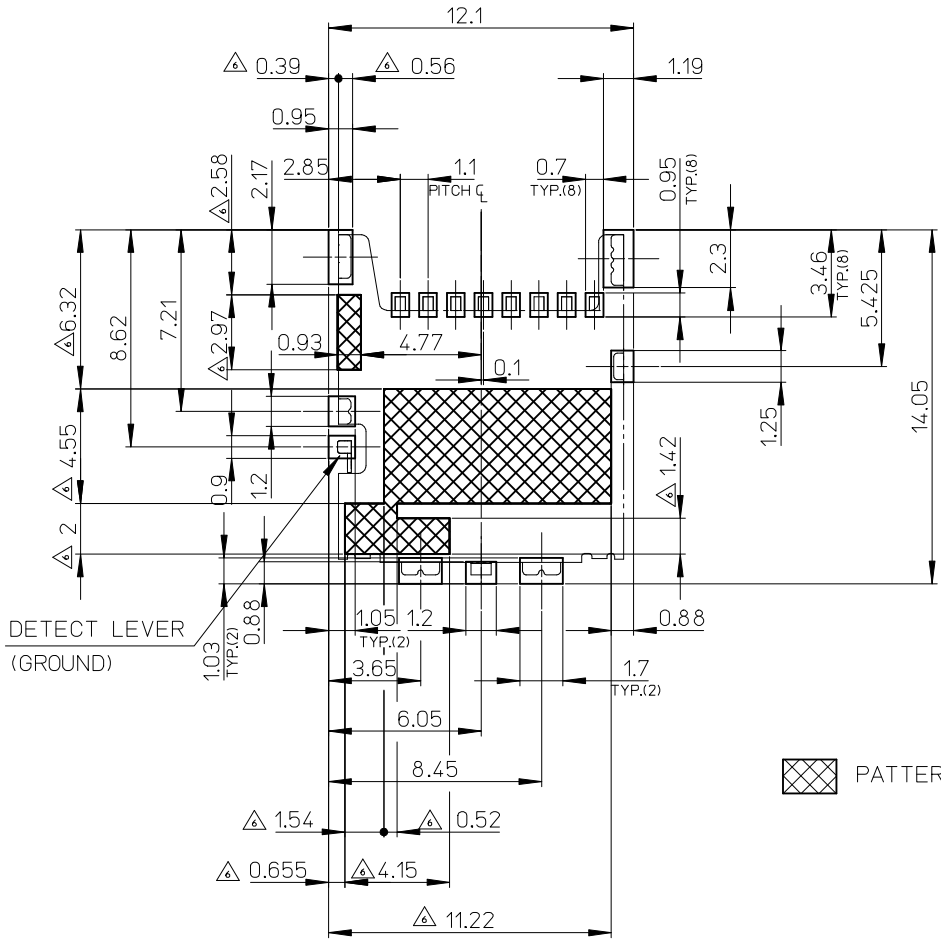
△ DIMENSION OF STAND OFF

△ PATTERN KEEP OUT AREA

7. DETECT SWITCH

CARD MATING POSITION	CLOSED
NO CARD POSITION	OPEN

8. (DIMENSION) : REFERENCE VALUE(IT IS NOT A MANAGEMENT DIMENSION)



△ PATTERN KEEP OUT AREA

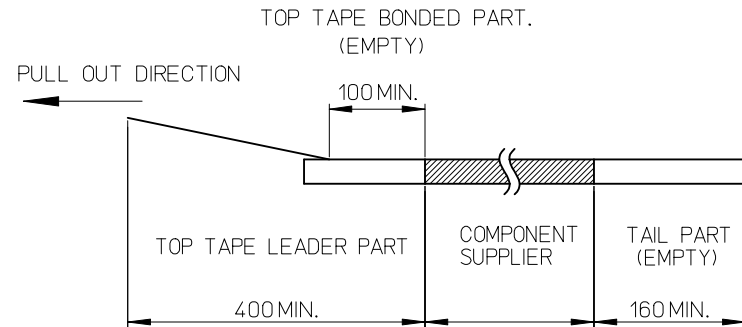
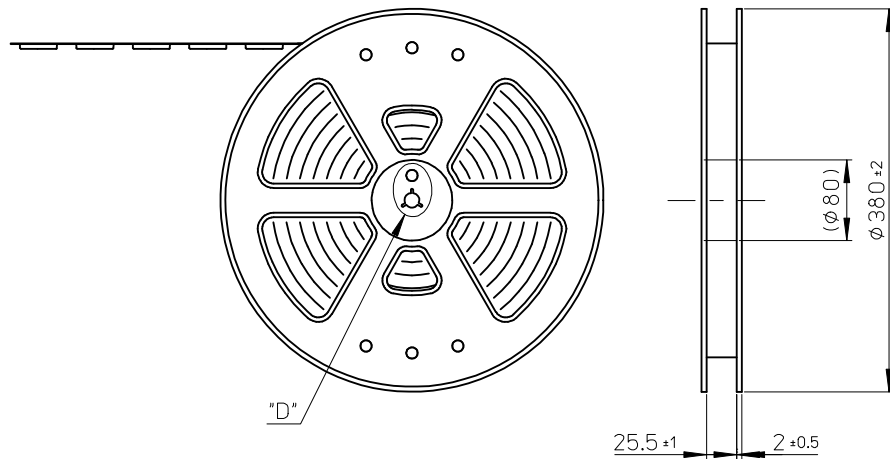
RECOMMENDED P.W.BOARD PATTERN LAYOUT  
 (TOLERANCE : ±0.05)

REVISED EC NO: J2014-0485 DRWN:YGOTO 2013/09/17 CHKD:SAKIYAMA 2013/10/01 APPR:NUKITA 2013/10/16	GENERAL TOLERANCES (UNLESS SPECIFIED)		DIMENSION STYLE MM ONLY	SCALE 5:1	DESIGN UNITS METRIC	THIRD ANGLE PROJECTION
	10 UNDER	±0.2	DRAWN BY MYAMANAKA	DATE 2012/02/28	TITLE MICRO SD CONN. PUSH/PULL H=1.28 WITH DETECT SW	
	10 OVER 30 UNDER	±0.25	CHECKED BY MTOMITA	DATE 2012/02/28		
	30 OVER	±0.3	APPROVED BY YOITO	DATE 2012/03/02		
ANGULAR ±1 °	DRAFT WHERE APPLICABLE MUST REMAIN WITHIN DIMENSIONS	MATERIAL NO. SEE CHART	DOCUMENT NO. SD-504077-001	SHEET NO. 2 OF 2		
SIZE A3	THIS DRAWING CONTAINS INFORMATION THAT IS PROPRIETARY TO MOLEX INCORPORATED AND SHOULD NOT BE USED WITHOUT WRITTEN PERMISSION					

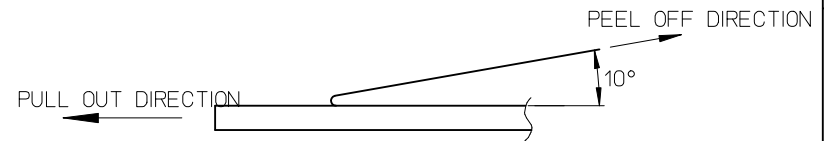
NOTES

1. RE DETAILED DIMENSION, SEE SALES DRAWING.
2. NUMBER OF CONNECTORS : 2400 PCS/REEL.
3. LEAD TAPE LENGTH.

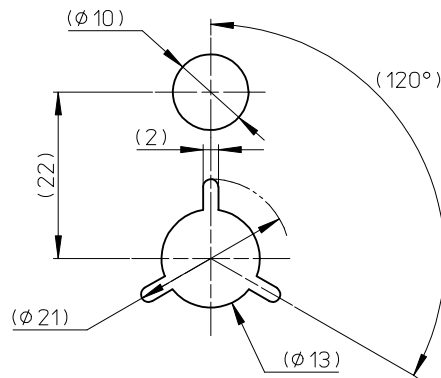
PULL OUT DIRECTION



4. PEELING OFF FORCE OF TOP TAPE : BASED UPON JIS C0806-3 (PEELING DIRECTION AS SHOWN IN FOLLOWING FIG.) THIS REQUIREMENT SHOULD BE APPLIED AT SHIPMENT. PEEL OFF SHOULD NOT BE ALLOWED, DURING TRANSPORTATION.



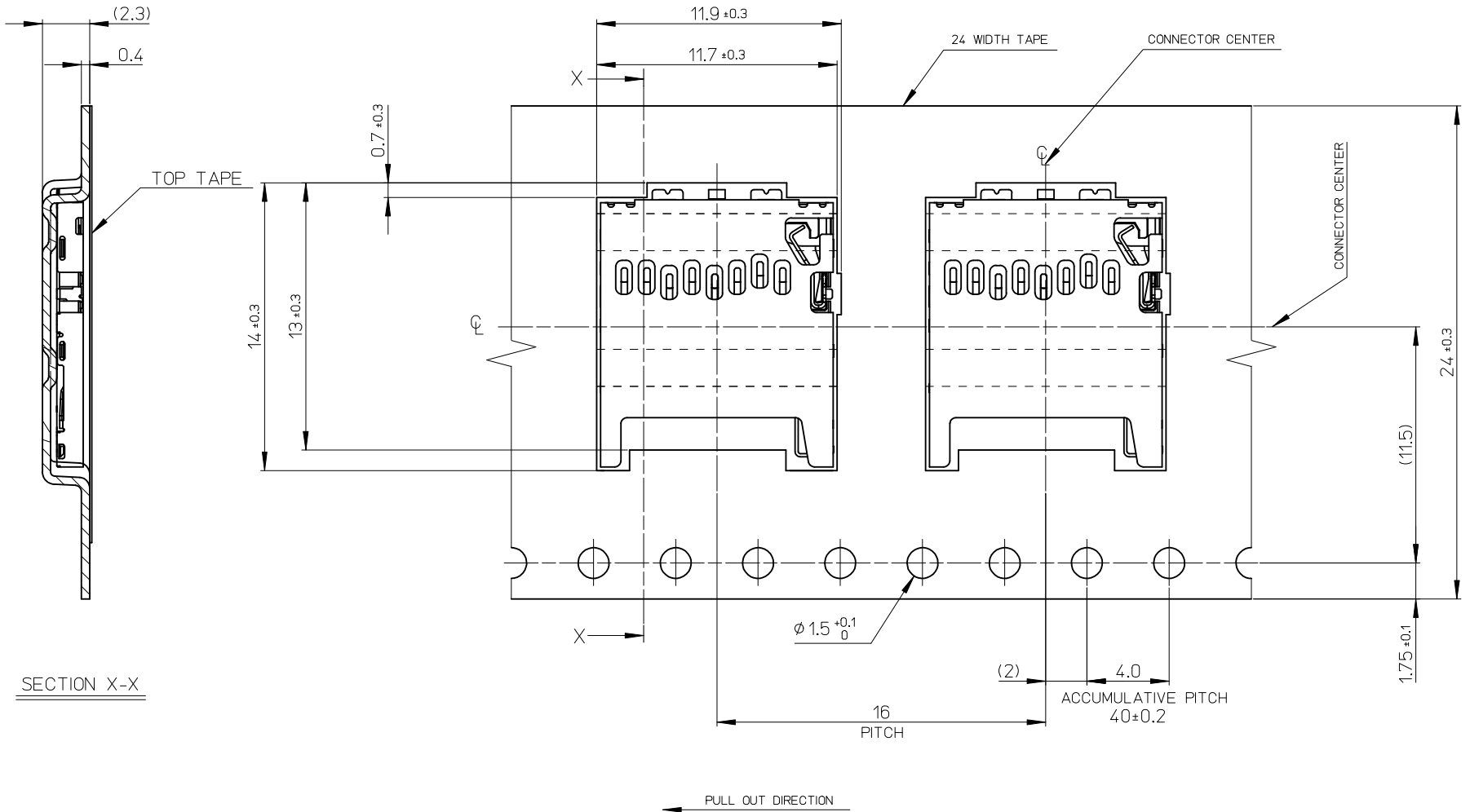
5. MATERIAL  
 CARRIER TAPE : POLYSTYRENE  
 TOP TAPE : PET, PE, PEF  
 REEL : POLYSTYRENE (PS)<RECYCLE MATERIAL CONTAINED>



DETAIL "D"

504077-1891	8
EMBOSSED PACKAGE	CIRCUITS
ORDER NO.	
CONNECTOR SERIES No. 504077-1811	

REVISED EC NO: J2014-0485 DRWN: YGOTO 2013/09/17 CHKD: SAKIYAMA 2013/10/01 APPR: NUKITA 2013/10/16	GENERAL TOLERANCES (UNLESS SPECIFIED)		DIMENSION STYLE MM ONLY		SCALE ---	DESIGN UNITS METRIC	THIRD ANGLE PROJECTION
	10 UNDER	± 0.2	DRAWN BY MYAMANAKA	DATE 2012/02/28	TITLE MICRO SD CONN. PUSH/PULL H=1.28 WITH DETECT SW EMBOSSED TAPE PACKAGE <b>molex</b> DOCUMENT NO. SD-504077-002 SHEET NO. 1 OF 2		
	10 OVER 30 UNDER	± 0.25	CHECKED BY MTOMITA	DATE 2012/02/28			
	30 OVER	± 0.3	APPROVED BY YOITO	DATE 2012/03/02			
ANGULAR ± 1 °		MATERIAL NO. SEE CHART					
DRAFT WHERE APPLICABLE MUST REMAIN WITHIN DIMENSIONS		SIZE A3		THIS DRAWING CONTAINS INFORMATION THAT IS PROPRIETARY TO MOLEX INCORPORATED AND SHOULD NOT BE USED WITHOUT WRITTEN PERMISSION			



REVISED EC NO: J2014-0485 DRWN: YGOTO 2013/09/17 CHKD: SAKIYAMA 2013/10/01 APPR: NUKITA 2013/10/16	GENERAL TOLERANCES (UNLESS SPECIFIED)		DIMENSION STYLE MM ONLY	SCALE 5:1	DESIGN UNITS METRIC	THIRD ANGLE PROJECTION
	10 UNDER	± 0.2	DRAWN BY MYAMANAKA	DATE 2012/02/28	TITLE MICRO SD CONN. PUSH/PULL H=1.28 WITH DETECT SW EMBOSSSED TAPE PACKAGE	
	10 OVER 30 UNDER	± 0.25	CHECKED BY MTOMITA	DATE 2012/02/28		
	30 OVER	± 0.3	APPROVED BY YOITO	DATE 2012/03/02		
ANGULAR ± 1 °		MATERIAL NO.	DOCUMENT NO.	SHEET NO.		
DRAFT WHERE APPLICABLE MUST REMAIN WITHIN DIMENSIONS		SEE CHART		SD-504077-002		2 OF 2
		THIS DRAWING CONTAINS INFORMATION THAT IS PROPRIETARY TO MOLEX INCORPORATED AND SHOULD NOT BE USED WITHOUT WRITTEN PERMISSION				