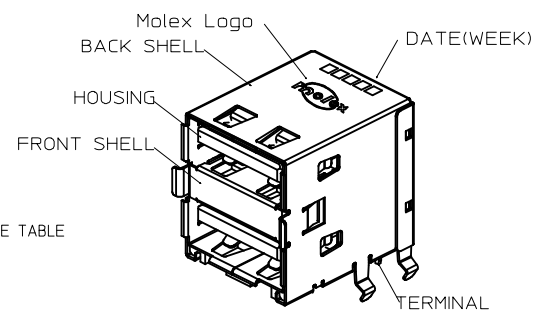
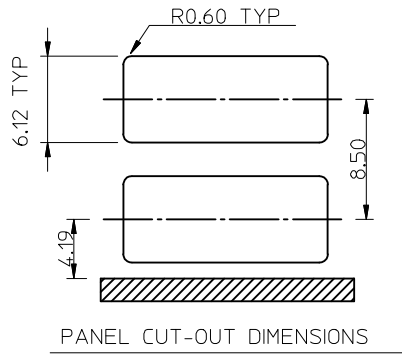
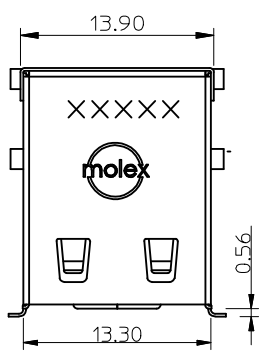
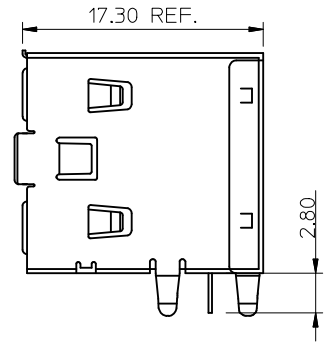
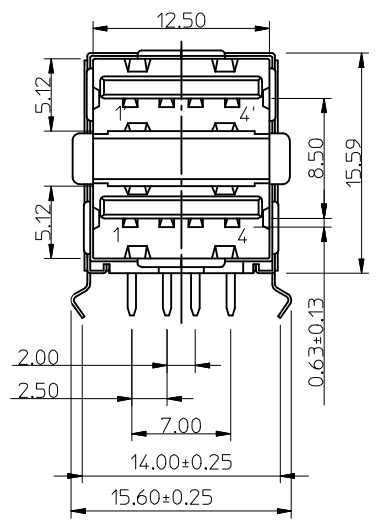
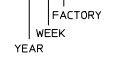


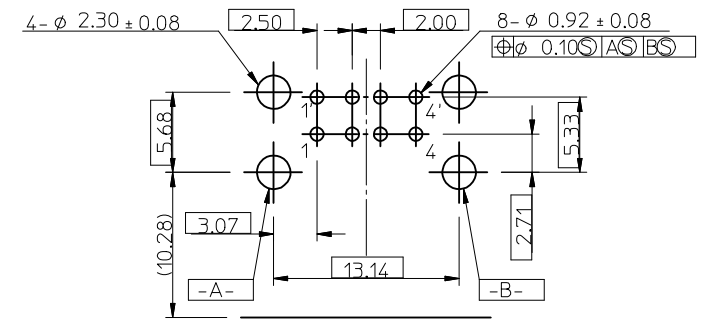
7 6 5 4 3 2 1



NOTE :  
 1. MATERIAL :  
 HOUSING :POLYESTER(PBT),GLASS FIBER FILLED, UL94-V0,COLOR:SEE TABLE  
 TERMINAL :PHOSPHOR BRONZE  
 METAL SHELL :FRONT SHELL:SUS 304  
 BACK SHELL:SPCC  
 2. PLATING :  
 TERMINAL :  
 CONTACT AREA :SEE TABLE  
 SOLDER TAIL :TIN(SN) ALLOY,THICKNESS=75 MICROINCH MIN/19 MICROMETER MIN.  
 UNDER PLATE :NICKEL(NI),THICKNESS=50 MICROINCH MIN/1.27 MICROMETER MIN.  
 METAL SHELL :TIN PLATING,THICKNESS=100 MICROINCH MIN/2.54 MICROMETER MIN.  
 UNDER PLATE :NICKEL (NI),THICKNESS=50 MICROINCH MIN/1.27 MICROMETER MIN.  
 3. RECOMMANDED PCB THICKNESS :1.60+/-0.05mm  
 4. PRODUCT SPECIFICATION:REFER TO PS-67298-001  
 5. TEST SUMMARY:REFER TO TS-67298-008  
 6. PACKAGING:REFER TO PK-67298-003  
 7. THE HOUSING MATERIAL IS NOT FOR IR REFLOW PROCESS  
 OR SURFACE MOUNTING COMPATIBLE PROCESS.  
 8. LEAD FREE AND ROHS COMPLIANCE PRODUCT  
 9. WEEK CODE XXXXX



P/N	COLOR	CONTACT PLATING
67298-3090	BLACK	GOLD FLASH
67298-4090	WHITE	GOLD FLASH
67298-3091	BLACK	30 MICRO INCH
67298-4091	WHITE	30 MICRO CHEN



RECOMMENDED PCB LAYOUT

ADD P/N NUMBER EC NO: DRWN:FYANG05 2014/11/04 CHKD: APPR:RZHANG 2014/12/11 DESCRIPTION REV	QUALITY SYMBOLS	GENERAL TOLERANCES (UNLESS SPECIFIED)	DIMENSION STYLE	SCALE	DESIGN UNITS	THIRD ANGLE PROJECTION
	▼=0 ◻=0	(UNLESS SPECIFIED) mm INCH 4 PLACES ± --- ± --- 3 PLACES ± --- ± --- 2 PLACES ± 0.25 ± --- 1 PLACE ± 0.25 ± --- ANGULAR ± 3 °	MM ONLY	SCALE	METRIC	
		DRAFT WHERE APPLICABLE MUST REMAIN WITHIN DIMENSIONS	DRAWN BY DATE IVY-LIN 2005/03/11 CHECKED BY DATE ALL IN 2005/04/01 APPROVED BY DATE WWSCHANG 2005/04/01 MATERIAL NO. SEE TABLE	TITLE		
				MOLEX INCORPORATED DOCUMENT NO. SD-67298-008 SHEET NO. 1 OF 1		

6 5 4 3 2 1