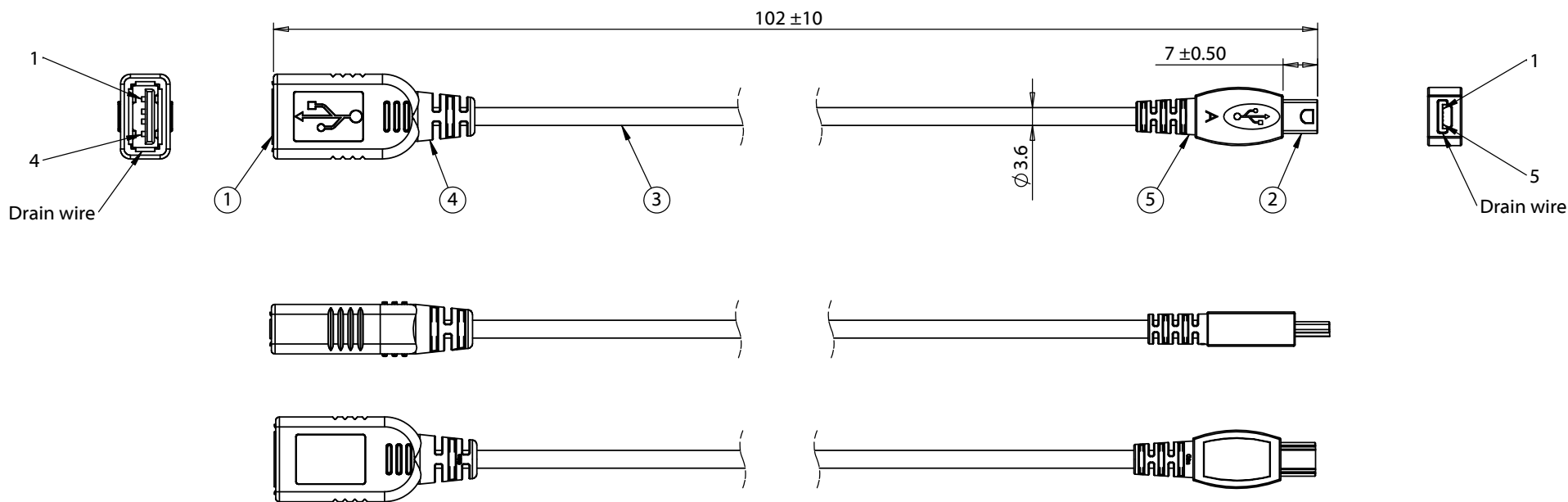


ITEM NO.	PART NUMBER	DESCRIPTION	QTY.	COMPONENT NOTES
1	50-00424	Connector, USB A receptacle	1	
2	50-00432	Connector, USB A mini male	1	
3	30-00099	Wire, 4C, 1PR + 2C, 28 AWG, UL2725, 30V, 80C, 3.6mm, shielded, VW-1, PVC, 79A, USB 2.0, white	1	
4	24-00058	Overmold, PVC, white	1	
5	24-00022	Overmold, PVC, white	1	



Notes:
 Cables individually tied and bundled in groups of 10
 Functionally equivalent components may be substituted
 Hi-Pot test: 600 Vac, 0.5 mA, 1 second

Wiring diagram		
50-00424	Wire Color	50-00432
1	Red	1
2	White	2
3	Green	3
4	Black	4 & 5
Shell	Drain & Shield	Shell

Revision:	Date:	Description:	Prepared:	Notes:	TENSILITY		
A	12/12/2008	Initial release		RoHS and REACH compliant	tel 1.541.323.3228 800 877.670.7118 fax 1.541.323.4202 web tensility.com		
A1	11/17/2011	Updated wiring diagram	Verified:	Function test: no open, no short circuit, no intermittent			
A2	11/30/2011	Included wire part number	Dimensions are in millimeters. Tolerances: X: ± 0.5 mm X.X: ± 0.3 mm X.XX: ± 0.05 mm	Description: Cable, 102 mm, USB A receptacle to mini USB A plug, 28 AWG 30-00099 wire, white	Size:	Part number:	Sheet 1 of 1
A3	1/7/2014	Changed wire part number			A	10-00003	
A4	1/30/2014	Modified shield type			Scale: 1:2		