



bq28550-R1 Single Cell Li-Ion Battery Gas Gauge and Protection

Not Recommended for New Designs

Check for Samples: [bq28550-R1](#)

1 Features

- A Comprehensive Single-Cell Li-Ion Battery Gas Gauge and Protection Integrates All Essential Functions:
 - Low-Side N-CH FET Protection Control
 - JEITA/Enhanced Charging
 - Authentication
- Records Battery Gas Gauge Information
- Protection Functions Help to Prevent:
 - Short-Circuit
 - Overcurrent Charge and Discharge
 - Overvoltage Charge (Overcharge)
 - Undervoltage (Over-Discharge)
- Firmware Control of Discharge FET
- SHA-1/HMAC Battery Authentication
- General Purpose I/O Configurable for One of the Following:
 - CFET Control
 - ALERT Output
- I²C Communications Interface with SBS Command Set Operation
- 12-pin, 2.50-mm x 4.00-mm SON Package

2 Applications

- Tablet PCs
- Slates
- Digital Still and Video Cameras
- Handheld Terminals
- MP3 or Multimedia Players

3 Description

The Texas Instruments bq28550-R1 battery gas gauge provides current and voltage protection, and secure, SHA-1/HMAC authentication for single-cell Lithium-ion battery packs. Designed for battery-pack integration, the bq28550-R1 requires host microcontroller firmware support for implementation. A system processor communicates with the bq28550-R1 using a serial interface to obtain remaining battery capacity, system run-time predictions, and other critical battery information.

The bq28550-R1 gas gauge uses an accurate gas gauging algorithm to report the status of the cell. The gauge provides information such as state-of-charge (%), run-time-to-empty (min.), charge-time to full (min.), battery voltage (V), and pack temperature (°C).

The bq28550-R1 gas gauge also features integrated support for secure battery-pack authentication, using the SHA-1/HMAC authentication algorithm.

Device Information⁽¹⁾

DEVICE NAME	PACKAGE	BODY SIZE
bq28550-R1	VSON (12)	4.00 mm x 2.50 mm

(1) For all available packages, see the orderable addendum at the end of the data sheet.



Table of Contents

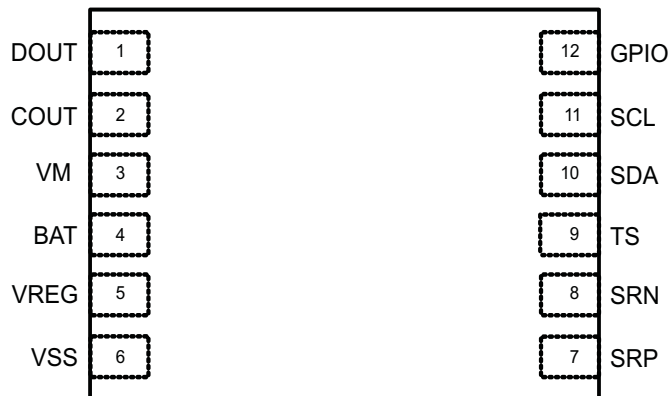
1 Features	1	Cell Voltage) Characteristics.....	8
2 Applications	1	6.13 Electrical Characteristics: Data Flash Memory Characteristics	8
3 Description	1	6.14 Electrical Characteristics: Serial Communication Timing Characteristics.....	8
4 Revision History	2	7 Detailed Description	10
5 Pin Configuration and Functions	3	7.1 Overview	10
6 Specifications	4	7.2 Data Acquisition	10
6.1 Absolute Maximum Ratings	4	7.3 Over-Temperature Indication	11
6.2 Handling Ratings	4	7.4 Gas Gauging.....	11
6.3 Recommended Operating Conditions.....	4	7.5 Protection	11
6.4 Thermal Information	5	7.6 Feature Description.....	17
6.5 Electrical Characteristics: Battery Protection	5	8 Application and Implementation	30
6.6 Electrical Characteristics: Voltage Regulator.....	6	8.1 Typical Application	30
6.7 Electrical Characteristics: Power-On Reset.....	7	9 Device and Documentation Support	33
6.8 Electrical Characteristics: Internal Temperature Sensor Characteristics	7	9.1 Related Documentation.....	33
6.9 Electrical Characteristics: High Frequency Oscillator	7	9.2 Trademarks	33
6.10 Electrical Characteristics: Low Frequency Oscillator	7	9.3 Electrostatic Discharge Caution.....	33
6.11 Electrical Characteristics: Integrating ADC (Coulomb Counter) Characteristics.....	7	9.4 Glossary	33
6.12 Electrical Characteristics: ADC (Temperature and		10 Mechanical, Packaging, and Orderable Information	34

4 Revision History

NOTE: Page numbers for previous revisions may differ from page numbers in the current version.

Changes from Original (October 2012) to Revision A	Page
• Changed the document format per updated Texas Instruments data sheet standards	1
• Deleted Ordering Information Table	1

5 Pin Configuration and Functions



Pin Functions

PIN NUMBER	PIN NAME	I/O (1)	DESCRIPTION
1	DOUT	IA	The output of gate drive for discharge FET
2	COUT	IA	The output of gate drive for charge FET
3	VM	IA	Analog input pin connected to the PACKN through a 510-Ω resistor. Overcurrent and short-circuit protection circuits use the voltage across VM and VSS to detect if excessive charge or discharge current is flowing through the protection FETs.
4	BAT	IA	Cell voltage measurement input. ADC input. Connect a 0.1-μF ceramic capacitor to VSS.
5	VREG	P	2.5-V output voltage of the internal integrated LDO. Connect a 0.1-μF ceramic capacitor to VSS.
6	VSS	P	Device ground
7	SRP	IA	Analog input pin connected to the internal Coulomb counter where SRP is nearest the CELL– connection. Connect to a 5-mΩ to 20-mΩ sense resistor.
8	SRN	IA	Analog input pin connected to the internal Coulomb counter where SRN is nearest the PACKN connection. Connect to a 5-mΩ to 20-mΩ sense resistor.
9	TS	IA	Pack thermistor voltage sense (use 103AT-type thermistor), ADC input
10	SDA	I/O	Serial Data interface for SMBus
11	SCL	I	Serial Clock interface for SMBus
12	GPIO	I/O	General Purpose I/O for configurable function (CFET Control or ALERT output)
13	PWPD	I/O	Texas Instruments recommends connecting the power pad to VSS on the PCB.

6 Specifications

6.1 Absolute Maximum Ratings

All voltages are referenced to the VSS pin. Over operating free-air temperature range (unless otherwise noted) ⁽¹⁾

PARAMETER		MIN	TYP	MAX	UNIT
V _{BAT}	Regulator input voltage, BAT (Pin 4)	-0.3		12	V
V _{VM}	VM terminal voltage (Pin 3)	V _{BAT} - 32		V _{BAT} + 0.3	V
V _{COUT}	COUT terminal input voltage (Pin 2)	V _{BAT} - 32		V _{BAT} + 0.3	V
V _{DOUT}	DOUT terminal input voltage (Pin 1)	V _{SS} - 0.3		V _{BAT} + 0.3	V
V _{IOD}	All other pins (Pins 5, 7, 8, and 9)	-0.3		6	V
V _{SDATA}	SDA (Pin 10)	V _{SS} - 0.3		V _{BAT} + 0.3	V
V _{SCLK}	SCL (Pin 11)	V _{SS} - 0.3		V _{BAT} + 0.3	V
V _{GPIO}	GPIO (Pin 12)	-0.3		6	V
ESD	Human body model		±2		kV
ESD	Machine model		±200		V
T _A	Operating free-air temperature range	-40°C		85	°C
T _{stg}	Storage temperature range	-65°C		150	°C

(1) Stresses beyond those listed under “absolute maximum ratings” may cause permanent damage to the device. These are stress ratings only and functional operation of the device at these or any other conditions beyond those indicated under “recommended operating conditions” is not implied. Exposure to absolute–maximum–rated conditions for extended periods may affect device reliability.

6.2 Handling Ratings

		MIN	MAX	UNIT
T _{STG}	Storage temperature range	-65	150	°C
V _(ESD) Rating	HBM ⁽¹⁾	-2	2	kV
	CDM ⁽²⁾	-500	500	V

(1) JEDEC document JEP155 states that 500-V HBM allows safe manufacturing with a standard ESD control process.

(2) JEDEC document JEP157 states that 250-V CDM allows safe manufacturing with a standard ESD control process.

6.3 Recommended Operating Conditions

T_A = 25°C, V_{BAT} = 3.6 V (unless otherwise noted)

PARAMETER		TEST CONDITIONS	MIN	TYP	MAX	UNIT
V _{BAT}	BAT		2.45	3.6	5.5	V
I _{CC}	Normal operating mode	Gas gauge in NORMAL mode. I _{LOAD} > Sleep Current		141		μA
	Low-power (SLEEP)	Gas gauge in SLEEP mode. I _{LOAD} < Sleep Current		70		
	Sleep (FULL SLEEP)	Gas gauge in FULLSLEEP mode. I _{LOAD} < Sleep Current		31		
	Hibernate	Gas gauge in HIBERNATE mode. I _{LOAD} < Hibernate Current		16		
	Shutdown	Gas gauge in SHUTDOWN mode		1		
I _{SS}	Maximum current				20	mA
C _{REG}	Regulator output capacitor		0.1			μF
C _{BAT}	V _{BAT} input filter capacitor			0.1		μF
R _{PACKN}	Resistor from VM to PACKN			510		Ω
R _{PU_}	SCL, SDA or GPIO pull up resistor			3.3		kΩ
V _{PU_}	SCL, SDA or GPIO pull up voltage		1.8		4.2	V

Recommended Operating Conditions (continued)

 $T_A = 25^\circ\text{C}$, $V_{\text{BAT}} = 3.6\text{ V}$ (unless otherwise noted)

PARAMETER		TEST CONDITIONS	MIN	TYP	MAX	UNIT
V_{IL}	GPIO, SDA and SCL Input voltage low		-0.3		0.6	V
V_{IH}	GPIO, SDA and SCL Input voltage high		1.2		6	V
V_{OL}	GPIO, SDA output voltage low	$I_{\text{OH}} = 3\text{ mA}$ (open drain)	0		0.4	V
C_i	Capacitance for each I/O pin	SDA and SCL input capacitance			10	pF
t_{PUCD}	Power Up Communication Delay			250		ms
V_{AI2}	Input voltage range (SRP, SRN)		$V_{\text{SS}} - 0.25$		0.25	V

6.4 Thermal Information

THERMAL METRIC ⁽¹⁾		bq28550-R1	UNIT
		SON	
		12 PINS	
$R_{\theta\text{JA}}$	Junction-to-ambient thermal resistance ⁽²⁾	186.4	°C/W
$R_{\theta\text{JC(top)}}$	Junction-to-case(top) thermal resistance ⁽³⁾	90.4	
$R_{\theta\text{JB}}$	Junction-to-board thermal resistance ⁽⁴⁾	110.7	
ψ_{JT}	Junction-to-top characterization parameter ⁽⁵⁾	96.7	
ψ_{JB}	Junction-to-board characterization parameter ⁽⁶⁾	90	
$R_{\theta\text{JC(bottom)}}$	Junction-to-case(bottom) thermal resistance ⁽⁷⁾	n/a	

(1) For more information about traditional and new thermal metrics, see the *IC Package Thermal Metrics* application report, [SPRA953](#).

(2) The junction-to-ambient thermal resistance under natural convection is obtained in a simulation on a JEDEC-standard, high-K board, as specified in JESD51-7, in an environment described in JESD51-2a.

(3) The junction-to-case (top) thermal resistance is obtained by simulating a cold plate test on the package top. No specific JEDEC-standard test exists, but a close description can be found in the ANSI SEMI standard G30-88.

(4) The junction-to-board thermal resistance is obtained by simulating in an environment with a ring cold plate fixture to control the PCB temperature, as described in JESD51-8.

(5) The junction-to-top characterization parameter, ψ_{JT} , estimates the junction temperature of a device in a real system and is extracted from the simulation data for obtaining $R_{\theta\text{JA}}$, using a procedure described in JESD51-2a (sections 6 and 7).

(6) The junction-to-board characterization parameter, ψ_{JB} , estimates the junction temperature of a device in a real system and is extracted from the simulation data for obtaining $R_{\theta\text{JA}}$, using a procedure described in JESD51-2a (sections 6 and 7).

(7) The junction-to-case (bottom) thermal resistance is obtained by simulating a cold plate test on the exposed (power) pad. No specific JEDEC standard test exists, but a close description can be found in the ANSI SEMI standard G30-88.

6.5 Electrical Characteristics: Battery Protection

 $T_A = -40$ to $+85^\circ\text{C}$, $V_{\text{BAT}} = 1.5\text{ V}$ to 5.5 V ; Typical values stated, where $T_A = 25^\circ\text{C}$ and $V_{\text{BAT}} = 3.6\text{ V}$ (unless otherwise noted)

PARAMETER		TEST CONDITIONS	MIN	TYP	MAX	UNIT
V_{ST}	Minimum operating voltage for 0 V charging	$V_{\text{ST}} = V_{\text{BAT}} - V_{\text{M}}$			1.2	V
R_{SHORT}	Overcurrent release resistance	$V_{\text{BAT}} = 4.0\text{ V}$, $V_{\text{M}} = 1\text{ V}$	30	50	100	k Ω
R_{DS}	DS pin pull-down resistance	$V_{\text{BAT}} = 4.0\text{ V}$	6.5	13.0	26.0	k Ω
V_{OL1}	COUT Low Level Output voltage (referenced to VM)	$I_{\text{OL}} = 30\text{ }\mu\text{A}$, $V_{\text{BAT}} = 4.5\text{ V}$		0.4	0.5	V
V_{OH1}	COUT High Level Output voltage (referenced to VM)	$I_{\text{OH}} = 30\text{ }\mu\text{A}$, $V_{\text{BAT}} = 4.0\text{ V}$	3.4	3.7		V

Electrical Characteristics: Battery Protection (continued)

T_A = -40 to +85°C, V_{BAT} = 1.5 V to 5.5 V; Typical values stated, where T_A = 25°C and V_{BAT} = 3.6 V (unless otherwise noted)

PARAMETER		TEST CONDITIONS	MIN	TYP	MAX	UNIT
V _{OL2}	DOOUT Low Level Output voltage (referenced to V _{SS})	I _{OL} = 30 μA, V _{BAT} = 2.0 V		0.2	0.5	V
V _{OH2}	DOOUT High Level Output voltage (referenced to V _{SS})	I _{OH} = 30 μA, V _{BAT} = 4.0 V	3.4	3.7		V
V _{DET1}	Overcharge detection	T _A = 25°C detection voltage	4.230	4.250	4.270	V
		T _A = -10 to 60°C	4.225	4.250	4.275	
		T _A = -40 to 85°C	4.200	4.250	4.300	
V _{REL1}	Overcharge release voltage	T _A = 25°C	4.040	4.070	4.100	V
		T _A = -10 to 60°C	4.025	4.070	4.115	
		T _A = -40 to 85°C	4.010	4.070	4.130	
t _{DET1}	Overcharge detection delay time	V _{BAT} = 3.5 V ≥ 4.5 V	0.60	1.00	1.50	s
t _{REL1}	Overcharge release delay time	V _{BAT} = 4.5 V ≥ 3.5 V	4.8	8.0	12.0	ms
V _{DET2}	Over-discharge detection voltage	T _A = 25°C	2.265	2.300	2.335	V
		T _A = -10 to 60°C	2.242	2.300	2.358	
		T _A = -40 to 85°C	2.220	2.300	2.380	
t _{DET2}	Over-discharge detection delay time	V _{BAT} = 3.5 V ≥ 2.00 V	14.4	24.0	36.0	ms
t _{REL2}	Over-discharge release delay time	V _{BAT} = 3 V V ₋ = 3 V ≥ 0 V	2.4	4.0	6.0	ms
V _{DET3}	Overcurrent detection voltage on discharge	V _{BAT} = 4 V	0.130	0.150	0.170	V
V _{DET4}	Overcurrent detection voltage on charging	V _{BAT} = 4 V	-0.137	-0.112	-0.087	V
t _{OCD}	Overcurrent detection delay time	V _{BAT} = 3 V V ₋ = 0 V ≥ 1 V	7.2	12.0	18.0	ms
t _{OCR}	Overcurrent release delay time	V _{BAT} = 3 V V ₋ = 3 V ≥ 0 V	2.4	4.0	6.0	ms
V _{SHORT}	Short detection voltage	V _{BAT} = 4 V, R _{PACKN} = 510 Ω	V _{BAT} - 1.2	V _{BAT} - 0.9	V _{BAT} - 0.6	V
t _{SHORT}	Short detection delay time	V _{BAT} = 3 V V ₋ = 0V ≥ 3 V	200	400	800	μs

6.6 Electrical Characteristics: Voltage Regulator

T_A = -40 to +85°C, V_{BAT} = 1.5 V to 5.5 V; Typical values stated, where T_A = 25°C and V_{BAT} = 3.6 V (unless otherwise noted)

PARAMETER		TEST CONDITIONS	MIN	TYP	MAX	UNIT
V _{REG}	Output voltage	2.7 V < V _{BAT} < 5.5 V, I _{OUT} = 16 mA	2.45	2.50	2.55	V
		2.45 V < V _{BAT} < 2.7 V, I _{OUT} = 3 mA	2.40			
ΔV _{LINE}	Line regulation	2.7 V < V _{BAT} < 5.5 V, I _{OUT} = 16 mA		100	200	mV
ΔV _{LOAD}	Load regulation	V _{REG} = 2.45 V, 100 μA < I _{OUT} < 3 mA		30	50	mV
		V _{BAT} = 2.7 V, 3 mA < I _{OUT} < 16 mA		30	50	
V _{D0}	Dropout voltage	V _{BAT} = 2.45 V, I _{OUT} = 3 mA		30	50	mV
		V _{BAT} = 2.7 V, I _{OUT} = 16 mA		224	290	
ΔV _{REG/ΔT}	Output voltage temperature coefficient	V _{BAT} = 3.5 V, I _{OUT} = 100 μA		100		ppm/°C
ΔV _{LINE}	Current limit	V _{BAT} = 3.5 V, I _{REG} = 2.0 V	16		130	mA
		V _{BAT} = 3.5 V, I _{REG} = 0 V	10	35	60	
V _{OFF}	Regulator off voltage		7.0	8.0	9.0	V

Electrical Characteristics: Voltage Regulator (continued)

 $T_A = -40$ to $+85^\circ\text{C}$, $V_{BAT} = 1.5$ V to 5.5 V; Typical values stated, where $T_A = 25^\circ\text{C}$ and $V_{BAT} = 3.6$ V (unless otherwise noted)

PARAMETER	TEST CONDITIONS	MIN	TYP	MAX	UNIT		
t_{VOFF}	Regulator off voltage delay time	$V_{BAT} = 3.6$ V \rightarrow 5.5 V, $R_{load} = 100$ Ω $V_{REG} = 2.5$ V \rightarrow 2.3 V, $C_{load} = 0.1$ μF , $T_A = 25^\circ\text{C}$			50	100	μs

6.7 Electrical Characteristics: Power-On Reset

 $T_A = -40$ to $+85^\circ\text{C}$; Typical Values at $T_A = 25^\circ\text{C}$ (unless otherwise noted)

PARAMETER	TEST CONDITIONS	MIN	TYP	MAX	UNIT	
V_{IT+}	Positive-going battery voltage input at V_{REG}	No external loading on V_{REG}	2.125	2.200	2.275	V
V_{HYS}		No external loading on V_{REG}	75	125	175	mV

6.8 Electrical Characteristics: Internal Temperature Sensor Characteristics

 $T_A = -40$ to $+85^\circ\text{C}$; $V_{BAT} = 2.7$ V to 5.5 V; Typical values stated, where $T_A = 25^\circ\text{C}$ and $V_{BAT} = 3.6$ V (unless otherwise noted)

PARAMETER	TEST CONDITIONS	MIN	TYP	MAX	UNIT
G_{TEMP}	Temperature Sensor Voltage Gain		-2		mV/ $^\circ\text{C}$

6.9 Electrical Characteristics: High Frequency Oscillator

 $T_A = -40$ to $+85^\circ\text{C}$, $V_{BAT} = 2.7$ V to 5.5 V; Typical values stated, where $T_A = 25^\circ\text{C}$ and $V_{BAT} = 3.6$ V (unless otherwise noted)

PARAMETER	TEST CONDITIONS	MIN	TYP	MAX	UNIT	
$f_{(OSC)}$	Operating frequency		2.097		MHz	
$f_{(EIO)}$	Frequency error ⁽¹⁾ , ⁽²⁾	$T_A = 0^\circ\text{C}$ to 60°C	-2.0%	0.38%	2.0%	
		$T_A = -20^\circ\text{C}$ to 70°C	-3.0%	0.38%	3.0%	
		$T_A = -40^\circ\text{C}$ to 85°C	-4.5%	0.38%	4.5%	
$t_{(SXO)}$	Start-up time ⁽³⁾		2.5	5	ms	

(1) The frequency error is measured from 2.097 MHz.

(2) The frequency drift is included and measured from the trimmed frequency at $V_{CC} = 2.5$ V, $T_A = 25^\circ\text{C}$.

(3) The startup time is defined as the time it takes for the oscillator output frequency to be $\pm 3\%$.

6.10 Electrical Characteristics: Low Frequency Oscillator

 $T_A = -40$ to $+85^\circ\text{C}$, $V_{BAT} = 2.7$ V to 5.5 V; Typical values stated, where $T_A = 25^\circ\text{C}$ and $V_{BAT} = 3.6$ V (unless otherwise noted)

PARAMETER	TEST CONDITIONS	MIN	TYP	MAX	UNIT	
$f_{(LOSC)}$	Operating frequency		32.768		kHz	
$f_{(LEIO)}$	Frequency error ⁽¹⁾ , ⁽²⁾	$T_A = 0^\circ\text{C}$ to 60°C	-1.5%	0.25%	1.5%	
		$T_A = -20^\circ\text{C}$ to 70°C	-2.5%	0.25%	2.5%	
		$T_A = -40^\circ\text{C}$ to 85°C	-4.0%	0.25%	4.0%	
$t_{(LSXO)}$	Start-up time ⁽³⁾			500	μs	

(1) The frequency drift is included and measured from the trimmed frequency at $V_{CC} = 2.5$ V, $T_A = 25^\circ\text{C}$.

(2) The frequency error is measured from 32.768 kHz.

(3) The startup time is defined as the time it takes for the oscillator output frequency to be $\pm 3\%$.

6.11 Electrical Characteristics: Integrating ADC (Coulomb Counter) Characteristics

 $T_A = -40$ to $+85^\circ\text{C}$, $V_{BAT} = 2.7$ V to 5.5 V; Typical values stated, where $T_A = 25^\circ\text{C}$ and $V_{BAT} = 3.6$ V (unless otherwise noted)

PARAMETER	TEST CONDITIONS	MIN	TYP	MAX	UNIT	
$V_{IN(SR)}$	Input voltage range, $V_{(SRN)}$ and $V_{(SRP)}$	$VSR = V_{(SRN)} - V_{(SRP)}$		-0.125	0.125	V
$t_{CONV(SR)}$	Conversion time	Single conversion			1	s
	Resolution	14		15	bits	

bq28550-R1

SLUSAS4A – OCTOBER 2012–REVISED SEPTEMBER 2014

www.ti.com

Electrical Characteristics: Integrating ADC (Coulomb Counter) Characteristics (continued)

$T_A = -40$ to $+85^\circ\text{C}$, $V_{BAT} = 2.7$ V to 5.5 V; Typical values stated, where $T_A = 25^\circ\text{C}$ and $V_{BAT} = 3.6$ V (unless otherwise noted)

PARAMETER	TEST CONDITIONS	MIN	TYP	MAX	UNIT
$V_{OS(SR)}$ Input offset			10		μV
INL Integral nonlinearity error			± 0.007	± 0.034	FSR ⁽¹⁾
$Z_{IN(SR)}$ Effective input resistance ⁽²⁾		2.5			$\text{M}\Omega$
$I_{lkg(SR)}$ Input leakage current ⁽²⁾				0.3	μA

- (1) Full-scale reference
- (2) Specified by design. Not production tested.

6.12 Electrical Characteristics: ADC (Temperature and Cell Voltage) Characteristics

$T_A = -40$ to $+85^\circ\text{C}$, $V_{BAT} = 2.7$ V to 5.5 V; Typical values stated, where $T_A = 25^\circ\text{C}$ and $V_{BAT} = 3.6$ V (unless otherwise noted)

PARAMETER	TEST CONDITIONS	MIN	TYP	MAX	UNIT
$V_{IN(ADC)}$ Input voltage range		-0.2		1	V
$t_{CONV(ADC)}$	Conversion time			125	ms
	Resolution	14		15	bits
$V_{OS(ADC)}$ Input offset			1		mV
$Z_{(ADC1)}$ Effective input resistance (TS) ⁽¹⁾		8			$\text{M}\Omega$
$Z_{(ADC2)}$ Effective input resistance (BAT) ⁽¹⁾	bq28550-R1 is not measuring cell voltage.	8			$\text{M}\Omega$
	bq28550-R1 is measuring cell voltage.		100		$\text{k}\Omega$
$I_{lkg(ADC)}$ Input leakage current ⁽¹⁾				0.3	μA

- (1) Specified by design. Not production tested.

6.13 Electrical Characteristics: Data Flash Memory Characteristics

$T_A = -40$ to $+85^\circ\text{C}$, $V_{BAT} = 2.7$ V to 5.5 V; Typical values stated, where $T_A = 25^\circ\text{C}$ and $V_{BAT} = 3.6$ V (unless otherwise noted)

PARAMETER	TEST CONDITIONS	MIN	TYP	MAX	UNIT
t_{DR}	Data retention ⁽¹⁾	10			Years
	Flash programming write-cycles ⁽¹⁾	20,000			Cycles
$t_{WORDPROG}$ Word programming time ⁽¹⁾				2	ms
I_{CCPROG} Flash-write supply current ⁽¹⁾			5	10	mA

- (1) Specified by design. Not production tested.

6.14 Electrical Characteristics: Serial Communication Timing Characteristics

$T_A = -40$ to $+85^\circ\text{C}$, $V_{BAT} = 2.7$ V to 5.5 V; Typical values stated, where $T_A = 25^\circ\text{C}$ and $V_{BAT} = 3.6$ V (unless otherwise noted). Capacitance on serial interface pins SCL and SDA are 10 pF unless otherwise specified⁽¹⁾.

PARAMETER	TEST CONDITIONS	MIN	TYP	MAX	UNIT
t_r SCL/SDA rise time				300	ns
t_f SCL/SDA fall time				300	ns
$t_{w(H)}$ SCL pulse width (high)		600			ns
$t_{w(L)}$ SCL pulse width (low)		1.3			μs
$t_{su(STA)}$ Setup for repeated start		600			ns
$t_{d(STA)}$ Start to first falling edge of SCL		600			ns
$t_{su(DAT)}$ Data setup time		1			μs
$t_{h(DAT)}$ Data hold time		0			ns

- (1) Parameters assured by worst case test program execution in fast mode.

Electrical Characteristics: Serial Communication Timing Characteristics (continued)

$T_A = -40$ to $+85^\circ\text{C}$, $V_{\text{BAT}} = 2.7$ V to 5.5 V; Typical values stated, where $T_A = 25^\circ\text{C}$ and $V_{\text{BAT}} = 3.6$ V (unless otherwise noted). Capacitance on serial interface pins SCL and SDA are 10 pF unless otherwise specified ⁽¹⁾.

PARAMETER	TEST CONDITIONS	MIN	TYP	MAX	UNIT
$t_{\text{SU(STOP)}}$	Setup time for stop	600			ns
$t_{\text{(BUF)}}$	Bus free time between stop and start	1.3			μs
$f_{\text{(SCL)}}$	Clock frequency			100	kHz

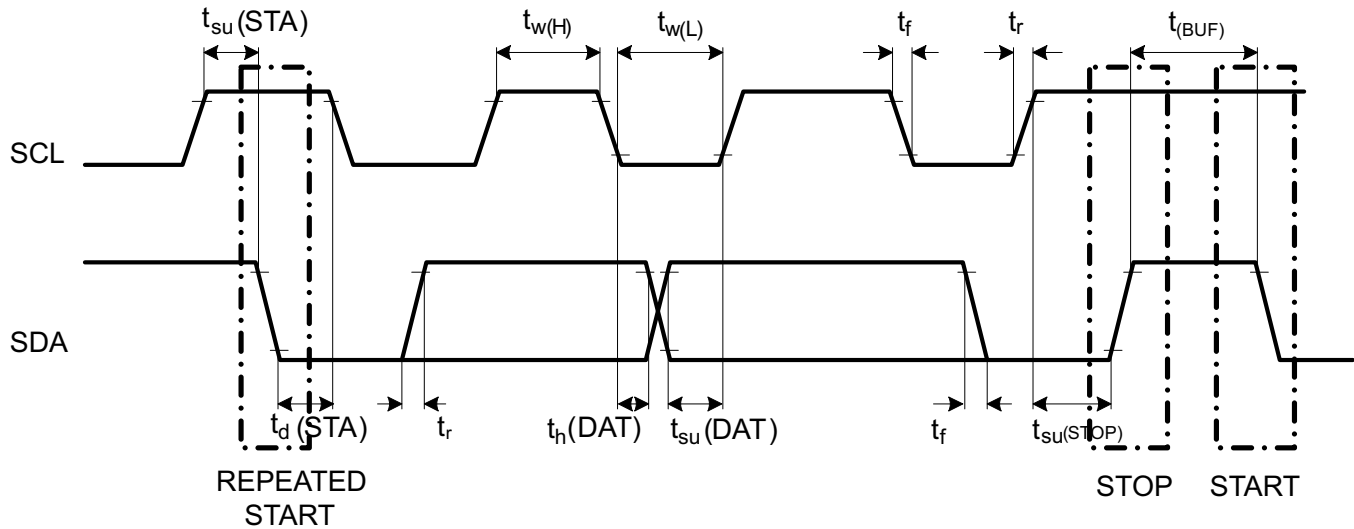


Figure 1. Timing

7 Detailed Description

7.1 Overview

The bq28550-R1 gas gauge accurately predicts the battery capacity and other operational characteristics of a single Li-Ion based rechargeable cell, while it also provides a state-of-the-art protection function against short circuit, overcurrent, and overvoltage. It can be integrated by a system processor to provide cell information, such as state-of-charge (SOC), Remaining Capacity, and Full Charge Capacity (FCC).

NOTE

Formatting conventions in this document:

Commands: Italics with parentheses and no breaking spaces; for example, *RemainingCapacity()*

Data Flash: Italics, bold, and breaking spaces; for example, ***Design Capacity***

Register Bits and Flags: Brackets only; for example, [TDA]

Data Flash Bits: Italic and bold; for example, ***[NR]***

Modes and States: All capitals; for example, SEALED mode

7.2 Data Acquisition

7.2.1 Cell Voltage

The bq28550-R1 gas gauge samples the single cell voltage from the BAT input terminal. The cell voltage is sampled and updated every 1 s in normal mode. The VSS ground connection of the bq28550-R1 gas gauge should be connected to the negative terminal of the sense resistor. This will prevent any error in short circuit and overcurrent measurements across the external CHG and DSG FETs.

7.2.2 Charge Measurement

The device samples the charge into and out of the single cell using a low value sense resistor. The resistor (typically 5 mΩ to 20 mΩ) is connected between SRP and SRN to form a differential input to an integrating ADC (Coulomb counter). Charge activity is detected when $V_{SR} = V_{(SRP)} - V_{(SRN)}$ is positive, and discharge activity is detected when $V_{SR} = V_{(SRP)} - V_{(SRN)}$ is negative. This data is integrated over a period of time, using an internal counter, and updates Remaining Capacity with charge and discharge amount every 1 s in normal mode.

7.2.3 Current Measurement

The device has a FIFO buffer, which uses the last four Coulomb counter readings to calculate the current. The current is updated every 1 s in normal mode.

7.2.4 Temperature Measurement and the TS Input

The bq28550-R1 gas gauge measures external temperature via the TS pin in order to supply battery temperature status information to the gas gauging algorithm and charger-control sections of the gauge. Alternatively, the gauge can also measure internal temperature via its on-chip temperature sensor. Refer to the **Pack Configuration[TEMPS]** control bit.

Regardless of which sensor is used for measurement, a system processor can request the current battery temperature by calling the *Temperature()* function (see [Data Commands](#) for more information). The temperature information is updated every 1 s in normal mode.

The bq28550-R1 external temperature sensing is optimized with the use of a high accuracy negative temperature coefficient (NTC) thermistor with $R_{25} = 10\text{ K}\Omega \pm 1\%$ and $B_{25/85} = 3435\text{ K}\Omega \pm 1\%$ (such as Semitec 103AT for measurement). The shows additional circuit information for connecting this thermistor to the bq28550-R1 gas gauge.

7.3 Over-Temperature Indication

7.3.1 Over-Temperature: Charge

If during charging *Temperature()* reaches the threshold of **OT Chg** for a period of **OT Chg Time** and *AverageCurrent()* > **Chg Current Threshold**, then the [OC] bit is set based on the charge fault configuration setting of the CHG bit in the Control Status Register. When *Temperature()* falls to **OT Chg Recovery**, the [OC] bit is reset.

If **OT Chg Time** = 0, the feature is completely disabled.

7.3.2 Over-Temperature: Discharge

If during discharging *Temperature()* reaches the threshold of **OT Dsg** for a period of **OT Dsg Time**, and *AverageCurrent()* ≤ **-Dsg Current Threshold**, then the [DSGOFFREQ] bit is set. When *Temperature()* falls to **OT Dsg Recovery**, the [DSGOFFREQ] bit is reset.

If **OT Dsg Time** = 0, the feature is completely disabled.

7.4 Gas Gauging

Gas gauging information is accessed through a series of commands called Standard Commands. Further capabilities are provided by the additional Extended Commands set. Both sets of commands, indicated by the general format *Command()*, are used to read and write information contained within the bq28550-R1 device control and status registers, as well as their data flash locations. Commands are sent from the system to the gauge using the bq28550-R1 device's serial interface and can be executed during application development, pack manufacture, or end-equipment operation.

Cell information is stored in the bq28550-R1 non-volatile data flash memory. Many of these data flash locations are accessible during application development. They cannot, generally, be accessed directly during end-equipment operation. Access to these locations is achieved by using the bq28550-R1 device's companion evaluation software, through individual commands, or through a sequence of data-flash-access commands. To access a desired data flash location, the correct data flash subclass and offset must be known. The bq28550-R1 device provides 96 bytes of user-programmable data flash memory, partitioned into three, 32-byte blocks: **Manufacturer Info Block A**, **Manufacturer Info Block B**, and **Manufacturer Info Block C**. For specifics on accessing the data flash, see [Manufacturer Information Blocks](#).

The bq28550-R1 device's gas gauging prediction uses a Compensated End of Discharge Voltage (CEDV) method. This algorithm mathematically models the cell voltage as a function of the battery state-of-charge (SOC), temperature, and current. The algorithm also models the battery impedance (Z) as a function of SOC and temperature, with other parameters included in the calculation. The battery voltage model is used to calibrate full charge capacity (FCC), and the compensated battery voltage can be used to indicate low battery voltage or alarm function through firmware settings (Low Battery %, Fully Discharged).

The bq28550-R1 device measures discharge activity by monitoring the voltage across a small-value series sense resistor (5 mΩ to 20 mΩ typ) located between the CELL– and the battery's PACKN terminal. This information is used to integrate the battery discharge capacity and to estimate state of charge Q. This is then calculated as a percentage of maximum capacity Q_{max} to indicate remaining state-of-charge (RSOC). The maximum capacity parameter is updated on every full discharge cycle. There are other factors to be considered in estimating RSOC, such as battery impedance, temperature, and aging due to number of charge/discharge cycles. The equations used to determine the battery capacity factor these variables into the calculation based on battery chemistry.

7.5 Protection

7.5.1 Overcharge Detector

When charging a battery, if the V_{BAT} voltage becomes greater than the overcharge detection voltage ($V_{DET1} = 4.250\text{ V typ}$) for a period up to the overcharge detection delay time ($t_{DET1} = 1.00\text{ s typ}$), the bq28550-R1 device detects the overcharge state of the battery, and the COUT pin transitions to a low level. This prohibits charging the battery by turning off the external charge control N-channel MOSFET.

bq28550-R1

SLUSAS4A – OCTOBER 2012–REVISED SEPTEMBER 2014

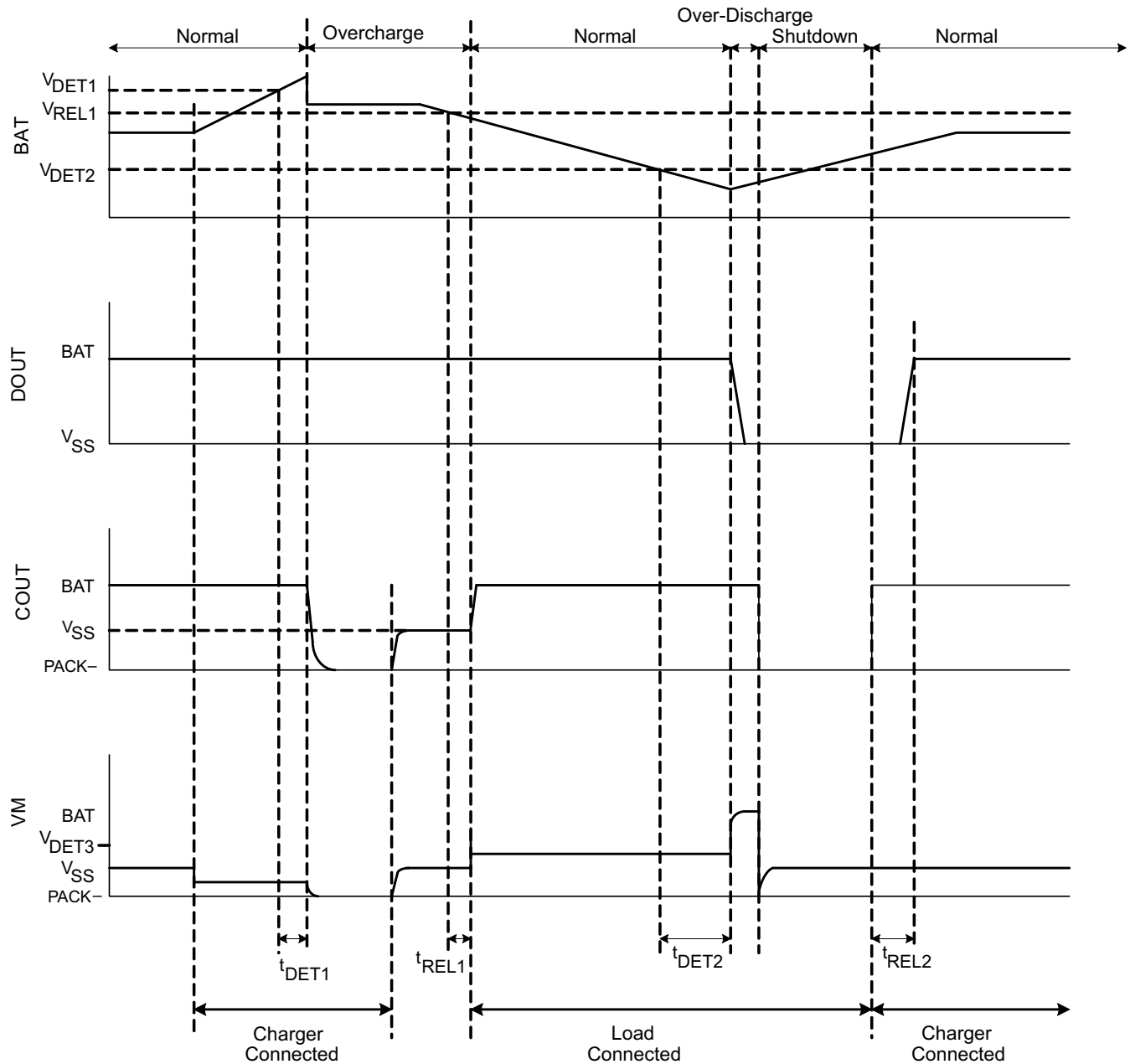
www.ti.com**Protection (continued)**

In the overcharge state, if a charger is removed and a load is connected, the external charge control MOSFET conducts the load current through its parasitic body diode. If the V_{BAT} voltage becomes lower than the overcharge release voltage ($V_{REL1} = 4.070$ V typ) for a period up to the overcharge release delay time ($t_{REL1} = 8$ ms typ), the COUT pin transitions to a high level, enabling charge of the battery by turning on the external charge control N-channel MOSFET.

7.5.2 Over-Discharge Detector

When discharging a battery, if the V_{BAT} voltage becomes lower than the over-discharge detection voltage ($V_{DET2} = 2.3$ V typ) for a period up to the over-discharge detection delay time ($t_{DET2} = 24$ ms typ), the bq28550-R1 device detects the over-discharge state of the battery, and the DOUT pin transitions to a low level. This prohibits discharging the battery by turning off the external discharge control N-channel MOSFET.

In the over-discharge state, if a charger is connected, the external discharge control MOSFET conducts the charge current through its parasitic body diode. If the V_{BAT} voltage becomes greater than the over-discharge detection voltage ($V_{DET2} = 2.3$ V typ) for a period up to the overcharge release delay time ($t_{REL2} = 4$ ms typ), the DOUT pin transitions to a high level, enabling discharge of the battery by turning on the external discharge control N-channel MOSFET. After detecting over-discharge, the device stops all operations and enters standby, which reduces the current consumed by the IC to its lowest mode (standby current).

Protection (continued)

7.5.3 Discharge Overcurrent Detector and Short-Circuit Detector

If the voltage across both protection MOSFETs ($V_M - V_{SS}$) becomes higher than the discharge overcurrent detection voltage ($V_{DET3} = 0.150 \text{ V typ}$) for a period of up to the discharge overcurrent detection delay time ($t_{DET3} = 12 \text{ ms typ}$), the bq28550-R1 device detects the discharge overcurrent state of the battery and the DOUT pin transitions to a low level. This prohibits discharging the battery by turning off the external discharge control N-channel MOSFET.

Additionally, if the voltage across both protection MOSFETs ($V_M - V_{SS}$) becomes higher than the short-circuit voltage ($V_{SHORT} = V_{BAT} - 0.9 \text{ V typ}$) for a period of up to the discharge short-circuit detection delay time ($t_{SHORT} = 400 \text{ } \mu\text{s typ}$), the bq28550-R1 device detects a short-circuit of the battery and the DOUT pin transitions to a low level. This prohibits discharging the battery by turning off the external discharge control N-channel MOSFET.

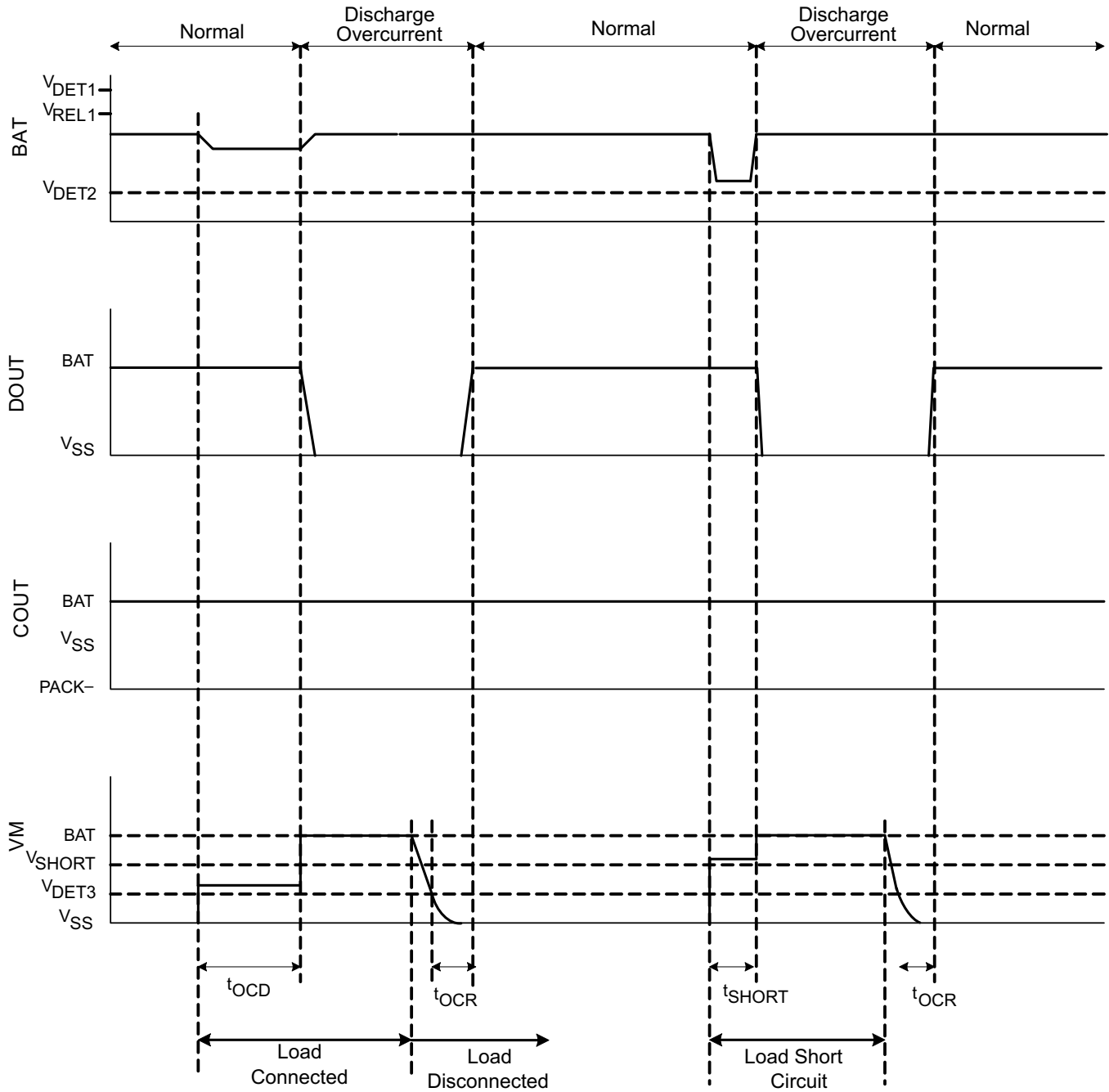
bq28550-R1

SLUSAS4A – OCTOBER 2012–REVISED SEPTEMBER 2014

www.ti.com

Protection (continued)

In both the discharge overcurrent and short-circuit states, an internal discharge overcurrent release resistor (20 kΩ typ) is turned on (switched in between VM and VSS), allowing the VM pin to be pulled down to the VSS potential if the load is released. If the $V_M - V_{SS}$ voltage becomes lower than the discharge overcurrent detection voltage ($V_{DET3} = 0.150\text{ V typ}$) for a period up to the discharge overcurrent release delay time ($t_{REL3} = 4\text{ ms typ}$), the discharge overcurrent release resistor is turned off and the DOUT pin transitions to a high level, enabling discharge of the battery by turning on the external discharge control N-channel MOSFET.



Protection (continued)

7.5.4 Charge Overcurrent Detector

If the voltage across both protection MOSFETs ($V_M - V_{SS}$) becomes more negative than the charge overcurrent detection voltage ($V_{DET4} = -0.112$ V typ) for a period up to the charge overcurrent detection delay time ($t_{DET4} = 12$ ms typ) due to an abnormal charging current or abnormal charging voltage, the bq28550-R1 device detects the overcurrent charge state of the battery and the COUT pin transitions to a low level. This prohibits charging the battery by turning off the external charge control N-channel MOSFET. The bq28550-R1 device releases from the charge overcurrent detection state on by detecting the connection of a load for a period up to the overcharge release delay time ($t_{REL4} = 4$ ms typ).

Table 1. Hardware Control Due to Fault Detection

Fault Condition	DOUT	COUT	Delay (typ)	Comment
Overcharge Voltage Protection	ON	OFF	1 s	Once OVP occurs for longer than the specified duration (1 s typ), the CHG FET is turned OFF and bus communication is NOT valid. The system will support power to the load with current flow through the CHG FET parasitic diode. This can cause the cell to discharge; once the cell voltage reaches the overcharge release voltage for the specified duration (8 ms typ), the CHG FET is turned ON and bus communication is valid.
Overcurrent Protection During Charging	ON	OFF	12 ms	If the cell is being charged with excessive current, the threshold will be based on a hardware limit measurement of -112 mV typ across the CHG + DSG FET ($V_M - V_{SS}$) for a duration longer than 12 ms (typ), the CHG FET is turned OFF and bus communication is <i>not</i> valid. This will prevent further charging of the cell. The setting of the CHG bit in the control Status Register is dependent on the OC bit setting in the Charge Fault Register selection. The FET bit in the Control between the charger is removed and cell voltage falls below the threshold for greater than 8 ms (typ). COUT is turned back ON. Once the host MCU takes corrective action OR if the battery charger is removed AND there is a load detected for a period of 4 ms (typ), the CHG FET is turned ON and bus communication is valid.
Over Discharging Voltage Protection	OFF	ON	24 ms	If the cell voltage falls to lower than 2.3 V for a duration of 24 ms (typ), the DSG FET is turned OFF, and bus communication is <i>not</i> valid. The system requires if the charger is connected and cell voltage rises above threshold for greater than 4 ms (typ), DOUT is turned back ON and bus communication is valid.
Overcurrent Protection During Discharging	OFF	ON	12 ms	If the cell is being discharged with excessive current, the threshold will be based on a hardware limit measurement of 150 mV typ across the DSG + CHG FET ($V_M - V_{SS}$) for a duration longer than 12 ms (typ) the DSG FET is turned OFF and bus communication is NOT valid. This will prevent further discharging of the cell, and the DSG bit in the control Status Register will be set. If the drop across the DSG + CHG FET is less than the threshold OR there is <i>no</i> load detected for a duration of 4 ms (typ), the DSG FET is turned ON and bus communication is valid.
Short-Circuit Protection	OFF	ON	400 μ s	Detection of cell short circuit is measured at VM input. Shorted cell detection is $V_{BAT} - 0.9$ V for greater than 400 μ s at the VM terminal, and the DSG FET is turned OFF, and bus communication is NOT valid. The DSG bit in the control Status Register will be set. The system will turn the DSG FET ON if the voltage at VM is below 150 mV OR <i>no</i> load is detected.

7.5.5 Gas Gauge Control of Discharge DOUT Pin

Firmware Control of DOUT for Protection

The gas gauge firmware can override the hardware-based protection by forcing DOUT low to turn OFF the discharge FET. However, the firmware cannot override the hardware protection to force discharge.

There are three conditions that enable firmware to force DOUT low:

1. The HOST_DISCONNECT (DSG FET OFF) subcommand: This feature is useful for the system to disable the discharge FET from the battery pack if it fails to authenticate.
2. Pack removal detection by the SDA and SCL pins falling low for more than 2 seconds: The DOUT pin override condition is released upon detection of PACK insertion.
3. Firmware-based undervoltage detection: The DOUT pin is forced low if voltage of the cell falls below the Set Voltage threshold. The DOUT override condition is released when the voltage is above Clear Voltage.

Any one of the above three conditions will force the DOUT pin low. However, all three corresponding release conditions must be satisfied before the DOUT override is returned to hardware-based protection control.

7.5.6 Zero Voltage Charging

When the cell voltage is 0 V and if the charger voltage is above the minimum operating voltage for 0 V charging (1.2-V max), the COUT output transitions to a high level and charge current can flow.

7.5.7 FET Control Protection

Figure 2 shows an overview of the FET Control Protection operation.

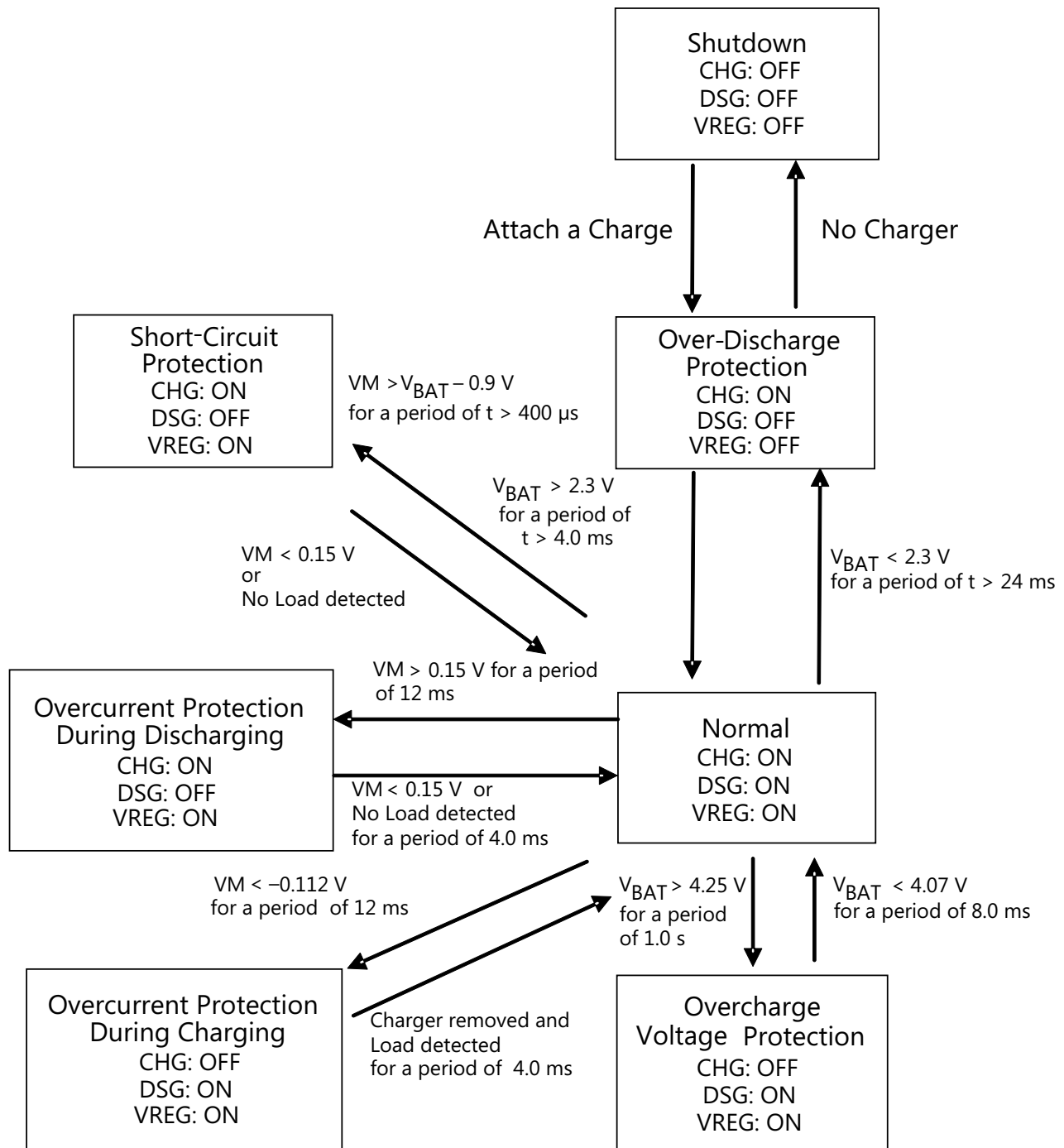


Figure 2. FET Control Protection

NOTE

When the CHG FET or DSG FET is turned OFF due to fault conditions, bus communication is *not* valid. The bus communication will only be activated by removal of the fault condition (see [Table 1](#)).

7.5.8 Regulator

Regulator out voltage is fixed at typically 2.5 V with a minimum output capacitance of 0.1 μ F (0.47 μ F typ). There is an internal current limit designed for 60 mA (typ) when output is shorted to GND. When VDD is over 8.0 V (typ), the regulator is turned off for the safety of the package dissipation.

7.6 Feature Description**7.6.1 Auto-Calibration**

The bq28550-R1 device provides an auto-calibration feature that measures the voltage offset error across SRP and SRN from time-to-time as operating conditions change. It subtracts the resulting offset error from the normal sense resistor voltage, VSR, for maximum measurement accuracy.

Auto-calibration of the ADC begins on entry to SLEEP mode, except if *Temperature()* is $\leq 5^{\circ}\text{C}$ or *Temperature()* $\geq 45^{\circ}\text{C}$.

The gas gauge also performs a single offset when (1) the condition of *AverageCurrent()* ≤ 100 mA and (2) {cell voltage change since the last offset calibration ≥ 256 mV} or {temperature change since last offset calibration is greater than 80°C for ≥ 60 s}.

Capacity and current measurements continue at the last measured rate during the offset calibration when these measurements cannot be performed. If the battery voltage drops more than 32 mV during the offset calibration, the load current has likely increased considerably and the offset calibration will be stopped.

7.6.2 Serial 2-Wire Communication System

The 2-wire communication bus supports a slave-only device in a single- or multi-slave configuration with a single- or multi-master configuration. The device can be part of a shared bus by the unique setting of the 7-bit slave address. The 2-wire communication is bi-directional, consisting of a serial data line (SDA) and a clock line (SCL). In receive mode, the SDA terminal operates as an input; whereas, when the device is returning data to the master, the SDA operates as an open-drain output with an external resistive pull-up. The master device controls the initiation of the transaction on the bus line.

Data Transfer: Each data bit is transferred during an SCL clock cycle (transition from low-to-high and then high-to-low). The data signal on the SDA (logic level) must be stable during the high period of the SCL clock pulse. A change in the SDA logic when SCL is high is interpreted as a START or STOP control signal. If a transfer is interrupted by a STOP condition, the partial byte transmission shall not be latched. Only the prior messages transmitted and acknowledged are latched.

Data Format: The data is an 8-bit format with the most significant bit (MSB) first and the least significant bit (LSB) followed by an Acknowledge bit. If the slave cannot receive or transmit any byte of data until it services a priority interrupt, it can pull the SCL line low to force the master device into wait state. The slave, once ready to resume data transfer, can release the SCL line (get out of wait state).

Bus Idle: The bus is considered idle or busy when no master device has control of this device. The SDA and SCL lines are high when the bus is idle. The appropriate method to go into the STOP condition is to ensure the bus returns to idle state.

START (S) and STOP (P) Conditions: To initiate communications, the master device transitions the SDA line from high-to-low when the SCL is high. Conversely, to STOP the communication, the SDA goes low-to-high when the SCL is high. To continue communication without terminating one transaction and beginning another, a repeated START (Sr) method can be used without a STOP condition being initiated. These are the only conditions (START or STOP) when SDA transitions when SCL is high.

Feature Description (continued)

Acknowledge Bits: An Acknowledge bit (A) is required after each data transfer byte to ensure correct communications. This occurs when the receiving device pulls the SDA low before the rising edge of the acknowledge-related clock pulse (ninth pulse), and keeps it low until the SCL returns low. There is also a No-Acknowledge bit (N), which occurs when the receiver releases the SDA line (high) before the rising edge of acknowledge-related clock pulse, and maintains the SDA line high until SCL returns low. The Acknowledge bit indicates if a successful data transfer has occurred between the master and slave device. Monitoring this bit also indicates an unsuccessful data transfer due to the receiving device being busy or as system fault occurrence.

Communication Format

A **START** command immediately followed by a **STOP** command is an illegal format.

MSB						
S	Slave Address	R/W	A	Data	A	P

S = START Command

R/W = Read from slave device ("1") or Write to slave device ("0")

A = Acknowledge bit

P = STOP Command

Slave Address = 7-bit address field for register address

DATA = 8-bit data field

PEC = Packet Error Checking

	Slave to Master
	Master to Slave

Communication Format for Multi-Word with Packet Error Checking (PEC)

Table 2. Write Byte with PEC

1	7	1	1	8	1	8	1	8	1	1
S	Slave Address	W	A	Command Code	A	Data Byte	A	PEC	A	P

Table 3. Write Word with PEC

1	7	1	1	8	1	8	1	8	1	8	1	1
S	Slave Address	W	A	Command Code	A	Data Byte Low	A	Data Byte High	A	PEC	A	P

Table 4. Read Byte with PEC

1	7	1	1	8	1	1	7	1	1	8	1	8	1	1
S	Slave Address	W	A	Command Code	A	S	Slave Address	R	A	Data Byte	A	PEC	A	P

Table 5. Read Word with PEC

1	7	1	1	8	1	1	7	1	1	8	1	8	1	8	1	1
S	Slave Address	W	A	Command Code	A	S	Slave Address	R	A	Data Byte Low	A	Data Byte High	A	PEC	A	P

The communication format and protocol complies with the SMBus.

7.6.3 Programming

7.6.3.1 General Purpose Input-Output

7.6.3.1.1 CFET Control

The GPIO can be configured to provide a signal called Charge FET control (CFET) using firmware. This output controls external circuitry to change the state of the external CHG FET. A low signal on this pin in association with recommended external components turns OFF the CHG FET. A high output maintains or turns ON the CHG FET after a valid turn OFF activity. The state of the GPIO on power-up will be low until the system is initialized and an internal power supply is active. The CFET control bit is located in the Control status register. If this output is not used, then connect this pin to VREG externally.

The following parameters can be programmed in firmware for monitoring and protection using CFET control circuitry, providing the limits are set within the boundaries of the hardware thresholds:

- Cell Overvoltage Condition
- Overcurrent Charging Condition
- Overtemperature Charging Condition

7.6.3.1.2 ALERT Output

Another option for the GPIO is to be configured as an ALERT output to indicate any one of the following fault conditions, and to provide an interrupt signal to the host microprocessor:

- Overcurrent Charging Condition
- Overcurrent Discharging Condition
- Overtemperature Condition
- Overvoltage Condition
- Undervoltage Condition

The threshold trigger for these conditions is set through firmware registers, with each fault condition to be selectable for detection. The output is an open drain output with an external pull-up (through a 3.3k resistor). The ALERT output can be reset after the fault condition is removed OR can be latched and reset only by the host MCU resetting the ALERT register value to zeroes. If this output is not used, then connect this pin to VREG externally.

7.6.4 Communications

7.6.4.1 Authentication

The bq28550-R1 device can act as a SHA-1/HMAC authentication slave by using its internal engine. Refer to the Application Note [SLUA359](#) for SHA-1/HMAC for information.

By sending a 160-bit SHA-1 challenge message to the bq28550-R1 device, it causes the gauge to return a 160-bit digest, based upon the challenge message and a hidden, 128-bit plain-text authentication key. If this digest matches an identical one generated by a host or dedicated authentication master, and when operating on the same challenge message and using the same plain text keys, the authentication process is successful.

7.6.4.1.1 Key Programming (Data Flash Key)

By default, the bq28550-R1 device contains a default plain-text authentication key of 0x0123456789ABCDEFEDCBA9876543210. This default key is intended for development purposes. It should be changed to a secret key and the part immediately sealed before putting a pack into operation. Once written, a new plain-text key cannot be read again from the gas gauge while in SEALED mode.

Once the bq28550-R1 device is FULL ACCESS, the authentication key can be changed from its default value by writing to the *Authentication()* Extended Data Command locations. A 0x00 is written to *BlockDataControl()* to enable the authentication data commands. The bq28550-R1 device is now prepared to receive the 16-byte plain-text key, which must begin at the command location 0x40 and ending at 0x4f. Once written, the key is accepted when a successful checksum for the key has been written to *AuthenticateChecksum()*. The gauge can then be SEALED again.

bq28550-R1

SLUSAS4A – OCTOBER 2012–REVISED SEPTEMBER 2014

www.ti.com

7.6.4.1.2 Key Programming (The Secure Memory Key)

As the name suggests, the bq28550-R1 secure-memory authentication key is stored in the secure memory of the bq28550-R1 device. If a secure-memory key has been established and the Data Flash Key is 0x00000000000000000000000000000000, only this key can be used for authentication challenges (the programmable data flash key is not available). The selected key can only be established/programmed by special arrangements with TI, using TI's *Secure B-to-B Protocol*. The secure-memory key can never be changed or read from the bq28550-R1 device.

7.6.5 Device Functional Modes

The bq28550-R1 device has four power modes: NORMAL, SLEEP, HIBERNATE, and SHUTDOWN. In NORMAL mode, the bq28550-R1 device is fully powered and can execute any allowable task. In SLEEP mode, the gas gauge exists in a reduced-power state, periodically taking measurements and performing calculations. In HIBERNATE mode, the gas gauge is in a low power state, but can be awakened by communication or certain I/O activity. The device enters SHUTDOWN mode if there is a UVP condition detected or power down of the system.

The relationship between these modes is shown in Figure 3. Details are described in the sections that follow.

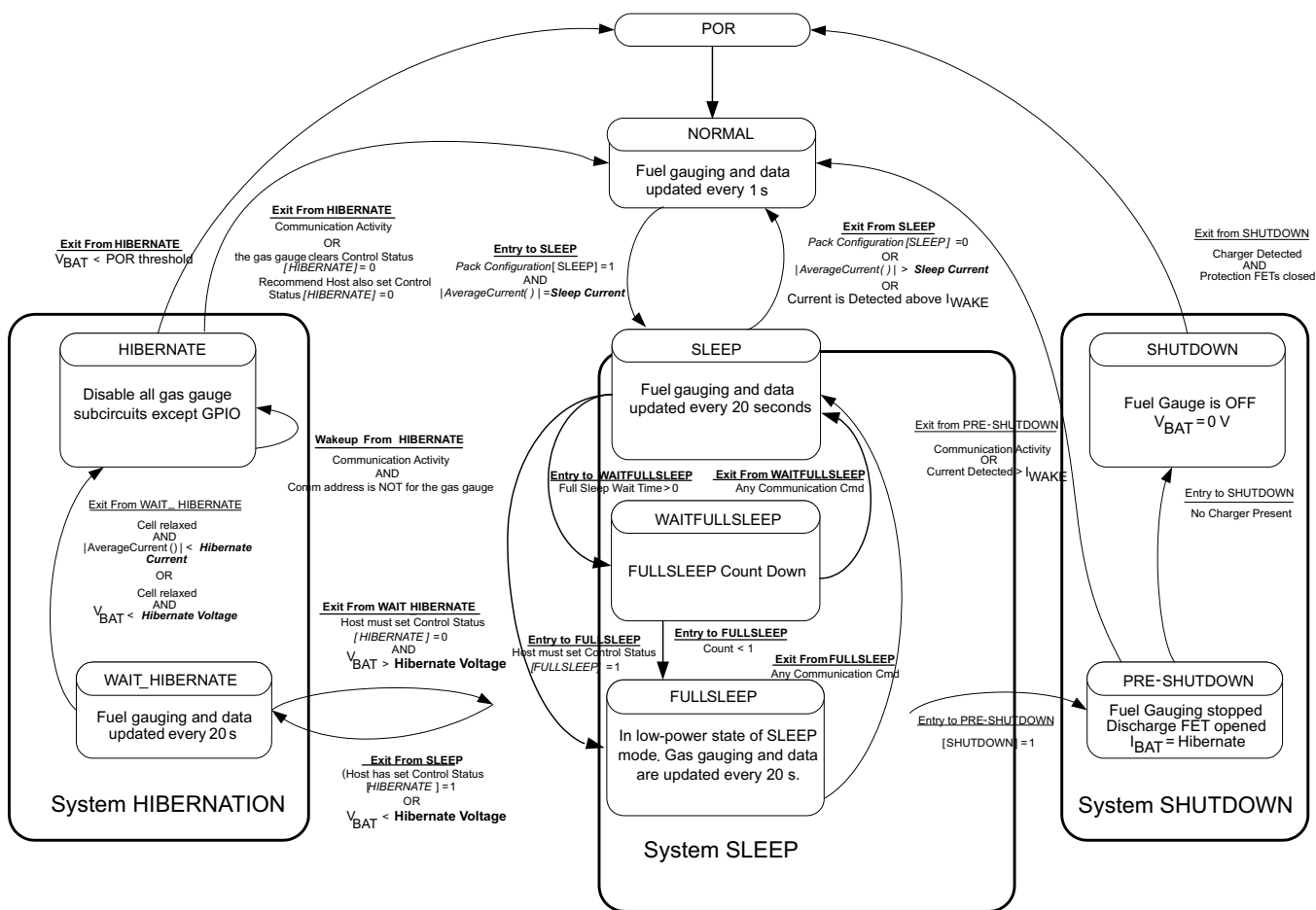


Figure 3. Power Mode Diagram

7.6.5.1 NORMAL Mode

The gas gauge is in NORMAL mode when not in any other power mode. During this mode, *AverageCurrent()*, *Voltage()*, and *Temperature()* measurements are taken, and the interface data set is updated. Decisions to change states are also made. This mode is exited by activating a different power mode.

Because the gauge consumes the most power in NORMAL mode, the algorithm minimizes the time the gas gauge remains in this mode.

NOTE

When the battery is connected for the first time, discharging may not be enabled. For this case, the following procedure is required:

- Short the VM pin and Vss pin, or
- Connect the charger to the system such that the IC returns to normal status.

7.6.5.2 SLEEP Mode

SLEEP mode is entered automatically if the feature is enabled (**Operation Configuration [SLEEP]** = 1) and *AverageCurrent()* is below the programmable level **Sleep Current**. Once entry into SLEEP mode has been qualified, but prior to entering it, the bq28550-R1 device performs an ADC auto-calibration to minimize offset.

While in SLEEP mode, the gas gauge can suspend serial communications as much as 4 ms by holding the comm line(s) low. This delay is necessary to correctly process host communication, because the gas gauge processor is mostly halted in SLEEP mode.

During SLEEP mode, the bq28550-R1 device periodically takes data measurements and updates its data set. However, a majority of its time is spent in an idle condition. The bq28550-R1 device exits SLEEP if any entry condition is broken, specifically when (1) *AverageCurrent()* rises above **Sleep Current**, or (2) a current in excess of I_{WAKE} through RSENSE is detected.

7.6.5.3 FULLSLEEP Mode

FULLSLEEP mode is entered automatically if the feature is enabled by setting the **Configuration [FULLSLEEP]** bit in the Control Status register when the bq28550-R1 device is in SLEEP mode. The gauge exits FULLSLEEP mode when there is any communication activity. Therefore, the execution of SET_FULLSLEEP sets the **[FULLSLEEP]** bit, but EVSW might still display the bit clear. FULLSLEEP mode can be verified by measuring the current consumption of the gauge. In this mode, the high frequency oscillator is turned off. The power consumption is further reduced in this mode compared to the SLEEP mode.

FULLSLEEP mode can also be entered by setting the **Full Sleep Wait Time** to be a number larger than 0. FULLSLEEP will be entered when the timer counts down to 0. This feature is disabled when the data flash is set as 0.

During FULLSLEEP mode, the bq28550-R1 device periodically takes data measurements and updates its data set. However, a majority of its time is spent in an idle condition.

The bq28550-R1 device exits SLEEP if any entry condition is broken, specifically when (1) *AverageCurrent()* rises above **Sleep Current**, or (2) a current in excess of I_{WAKE} through RSENSE is detected.

While in FULLSLEEP mode, the gas gauge can suspend serial communications as much as 4 ms by holding the comm line(s) low. This delay is necessary to correctly process host communication, because the gas gauge processor is mostly halted in SLEEP mode.

7.6.5.3.1 Clearing FULLSLEEP Mode

FULLSLEEP mode will stay on permanently if **Full Sleep Wait Time** is not set to 0.

Clearing FULLSLEEP mode:

- If **Full Sleep Wait Time** is set to 0, the CLEAR condition clears the flag. If it is not set to 0, the CLEAR condition resets the timer.
- The CLEAR condition determines that there is I²C™ communication while FULLSLEEP is active. I²C communication while not in FULLSLEEP will NOT clear the flag. This means if there is current flowing when the FULLSLEEP command is sent, there is no way to clear it until after the device enters SLEEP mode.

7.6.5.4 HIBERNATE Mode

HIBERNATE mode should be used when the host system needs to enter a low-power state, and minimal gauge power consumption is required. This mode is ideal when the host is set to its own HIBERNATE, SHUTDOWN, or OFF modes. The gas gauge can enter HIBERNATE due to either low cell voltage or low load current.

- HIBERNATE due to the load current—If the gas gauge enters HIBERNATE mode due to the load current, the **[HIBERNATE]** bit of the CONTROL_STATUS register must be set. The gauge waits to enter HIBERNATE

mode until it has taken a valid OCV measurement and the magnitude of the average cell current has fallen below Hibernate Current.

- **HIBERNATE** due to the cell voltage—When the cell voltage drops below the Hibernate Voltage and a valid OCV measurement has been taken, the gas gauge enters HIBERNATE mode. The **[HIBERNATE]** bit of the CONTROL register has no impact for the gas gauge to enter the HIBERNATE mode. If the **[SHUTDOWN]** bit of CONTROL_STATUS is also set.

The gauge will remain in HIBERNATE mode until communication activity appears on the communication lines. Upon exiting HIBERNATE mode, the **[HIBERNATE]** bit of CONTROL_STATUS is cleared.

Because the gas gauge is dormant in HIBERNATE mode, the battery should not be charged or discharged in this mode, because any changes in battery charge status will not be measured. If necessary, the host equipment can draw a small current (generally infrequent and less than 1 mA, for purposes of low-level monitoring and updating); however, the corresponding charge drawn from the battery will not be logged by the gauge. Once the gauge exits to NORMAL mode, the algorithm re-establishes the correct battery capacity.

If a charger is attached, the host should immediately take the gas gauge out of HIBERNATE mode before beginning to charge the battery.

CAUTION

Charging the battery in HIBERNATE mode results in a notable gauging error that will take several hours to correct.

7.6.5.5 SHUTDOWN Mode

The device enters SHUTDOWN mode if there is a UVP condition detected or if there is a power down of the system, and alternatively by setting the SHUTRQ bit to 1, if appropriate conditions are met. The device can also disable SHUTDOWN by using the CLEAR_SHUTDOWN (0x0014) option.

NOTE

- A SHUTDOWN command should NOT be invoked if charger voltage is present.
- Sending a SHUTDOWN command while charger voltage is present causes a 1–2 s time of DSG FET off, and may or may not cause a watchdog reset. (If current is ≤ 0 after the DSG FET is opened, it will attempt to shutdown and start a watchdog; otherwise, it will only clear the shutdown flag without a reset).

Figure 4 shows an overview of the hardware controlled SHUTDOWN operation.

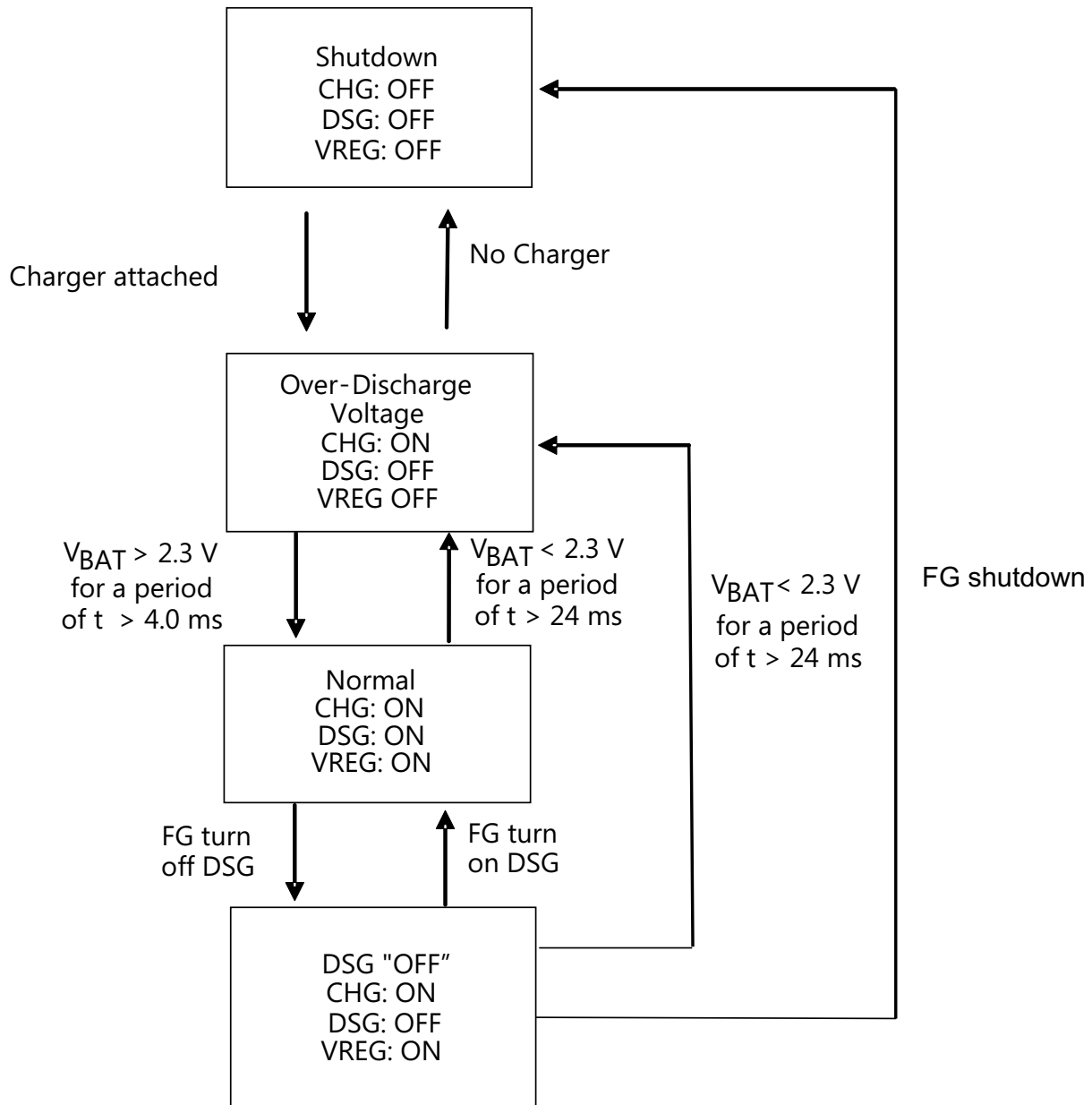


Figure 4. Shutdown Operation

7.6.5.6 Operational Modes

The sequence of the operational modes is as follows: NORMAL to SLEEP to FULLSLEEP; FULLSLEEP to either HIBERNATE or SHUTDOWN; or SLEEP to SHUTDOWN.

Table 6. Operational Modes

Mode	Enter Mode	Exit Mode	Comment
NORMAL	If ALL conditions such as Average Current, Cell Voltage, and Temperature are satisfied.	Go into other modes like SLEEP, FULLSLEEP, HIBERNATE, or SHUTDOWN mode if conditions are satisfied.	In this mode, power consumption is the highest. Measurements are taken and updated every 1 s.

Table 6. Operational Modes (continued)

Mode	Enter Mode	Exit Mode	Comment
SLEEP	SLEEP bit set = 1 in operation register AND AverageCurrent measured is equal to Sleep current value.	Change SLEEP bit = 0 OR AverageCurrent measurement > Sleep current value OR Current detected is above the I _{WAKE} setting.	The data is measured every 20 s to reduce current consumption.
FULLSLEEP	From SLEEP mode if the WAIT_FULLSLEEP wait is programmed, this is the time the system must be in SLEEP mode before it can go to FULLSLEEP mode.	The system exits the FULLSLEEP mode if there are any communication commands set on the bus to the device.	The wait time to enter FULLSLEEP from SLEEP is 1 s to 240 s with the default at 15 s.
HIBERNATION	From FULLSLEEP mode, the system will go into HIBERNATE mode if the load current decreases to the programmed value, OR if the cell voltage falls below the programmed value, OR the host sets the command in MAC.	The system exits this mode is the V _{CELL} > programmed threshold, OR load current is > programmed threshold, OR communication activity on bus line, OR host sets the command in MAC.	Enters hibernation if V _{CELL} range is 2.4 V to 3 V with default at 2.55 V. The load current threshold range is 0 to 0.7 A with a default value of 8 mA.
SHUTDOWN	From SLEEP mode, the system will enter this mode if the V _{CELL} < 2.4 V for a period longer than 24 ms and the charger is not attached. The system can also be put in SHUTDOWN mode through MAC.	Exit from this mode if there is bus activity, OR the load current detected is > I _{WAKE} , OR the charger is connected to the system.	In this mode, the VREG and DSG FET are turned OFF and the system will only wake up if the charger is attached on the Pack+, Pack– terminals.

7.6.5.7 Data Commands

7.6.5.7.1 Standard Data Commands

The bq28550-R1 device uses the following Command Code. Data RAM is updated and read by the gauge only once per second. Standard commands are accessible in NORMAL operation mode.

Table 7. Standard Commands

Name	Command Code	Min Value	Max Value	Default value	Units	Sealed Access
ManufacturerAccess()	0x00	0x0000	0xffff	—	—	R/W
BatteryMode()	0x03	0x0000	0xe383	—	—	R/W
Temperature()	0x08	0	65535	—	0.1K	R
Voltage()	0x09	0	65535	—	mV	R
Current()	0x0a	–32768	32767	—	mA	R
AverageCurrent()	0x0b	–32768	32767	—	mA	R
MaxError()	0x0c	0%	100%	—		R
RelativeStateOfCharge()	0x0d	0%	100%	—		R
RemainingCapacity()	0x0f	0	65535	—	mAh or 10 mWh	R/W
FullChargeCapacity()	0x10	0	65535	7200	mA	R
ChargingCurrent()	0x14	0	65534	2500	mA	R
ChargingVoltage()	0x15	0	65534	12600	mV	R
BatteryStatus()	0x16	0x0000	0xdbff	—	—	R
CycleCount()	0x17	0	65535	0	—	R/W
DesignCapacity()	0x18	0	65535	7200	mAh	R/W
DesignVoltage()	0x18	0	65535	3600	mV	R/W
SpecificationInfo()	0x1a	0x0000	0xffff	0x0031	—	R/W
ManufactureDate()	0x1b	—	—	0	ASCII	R/W
SerialNumber()	0x1c	0x0000	0xffff	0x0001	—	R/W
ManufacturerName	0x20	—	—	Texas Inst	ASCII	R/W

Table 7. Standard Commands (continued)

Name	Command Code	Min Value	Max Value	Default value	Units	Sealed Access
DeviceName()	0x21	—	—	bq28550-R1	ASCII	R/W
DeviceChemistry()	0x22	—	—	LION	ASCII	R/W
ManufacturerData()	0x23	—	—	—	ASCII	R/W
Authenticate()	0x2f	—	—	—	ASCII	R
CellVoltage1()	0x3f	0	65535	—	mV	R
Extended SBS Data Commands						
OperationStatus()	0x54	0x0000	0xffff	—	0xf7f7	R
ChargingStatus()	0x55	0x0000	0xffff	—	—	R
UnSealKey()	0x60	0x00000000	0xffffffff	—	—	R/W
FullAccessKey()	0x61	0x00000000	0xffffffff	—	—	R/W
AuthenKey0()	0x63	0x00000000	0xffffffff	—	—	R/W
AuthenKey1()	0x64	0x00000000	0xffffffff	—	—	R/W
AuthenKey2()	0x65	0x00000000	0xffffffff	—	—	R/W
AuthenKey3()	0x66	0x00000000	0xffffffff	—	—	R/W
ManufacturerInfo()	0x70	—	—	—	ASCII	R/W
SenseResistor()	0x71	0	65535	—	μΩ	R/W
Temperature()	0x72	0x0000	0xffff	—	—	R
ManufacturerStatus()	0xB1	—	—	—	—	R

7.6.5.7.2 Run-Time-to-Empty

Battery pack run-time-to-empty can be calculated using the following method—the host system reads and stores the following information during a discharge period and averages the data over a user-determined period of time:

- The DSG bit of the BatteryStatus register is set to ensure DOUT terminal is high (ensure the system is in discharge mode).
- AverageCurrent (mA)
 - Positive value = Charge Current
 - Negative value = Discharge Current
 - One minute rolling average of current value (the user can accumulate this time for improved granularity)
- RemainingCapacity (mAh)

Run-Time-to-Empty = RemainingCapacity (avg mAh) ÷ AverageCurrent (mA). This result will be in hours, and therefore to convert to minutes, divide the results by 60.

7.6.5.7.3 Charging Time To Full

This is a read-only function that predicts the remaining time until battery reaches full charge in minutes based on *Average Current()*. The computation accounts for the taper current time extension from the linear TTF computation based on a fixed *Average Current()* rate of change of accumulation. A value of 65,535 indicates a battery is NOT being charged.

7.6.5.7.4 Remaining Capacity Alert

To set a notification when battery capacity is below a pre-determined value, the user can set a Remaining Capacity alarm alert in the system side. The Remaining Capacity value determined by the bq28550-R1 device is compared to the user-selected value. If the Remaining Capacity value < the user-selected Remaining Capacity threshold, the host system should instruct the user on what action is needed.

bq28550-R1

SLUSAS4A – OCTOBER 2012–REVISED SEPTEMBER 2014

www.ti.com

7.6.5.7.5 Remaining Time Alert

Similar to the Remaining Capacity notification, a system may require an alarm based on time rather than Remaining Capacity. To set a notification when remaining time to empty is less than the user-set value, the user can set a remaining time to empty alarm alert in the system side. The remaining time to empty value determined by the bq28550-R1 device is compared to the user-selected value. If the Remaining Time to Empty value < the user-selected Remaining Time to Empty threshold, the host system should instruct the user of what action to take.

7.6.5.7.6 Data Flash Interface**7.6.5.7.6.1 Accessing the Data Flash**

The bq28550-R1 data flash is a non-volatile memory that contains bq28550-R1 initialization, default, cell status, calibration, configuration, and user information. The data flash can be accessed in several different ways, depending on what mode the bq28550-R1 device is operating in and what data is being accessed.

Commonly accessed data flash memory locations, frequently read by a system, are conveniently accessed through specific instructions, as described in . These commands are available when the bq28550-R1 device is either in FULL ACCESS, UNSEALED, or SEALED modes.

Most data flash locations, however, are only accessible in FULL ACCESS or UNSEALED mode by using the bq28550-R1 evaluation software or by data flash block transfers. These locations should be optimized and/or fixed during the development and manufacture processes. They become part of a golden image file and can then be written to multiple battery packs. Once established, the values generally remain unchanged during end-equipment operation.

7.6.5.7.6.2 Read-Write Access of Data Flash

To read and write commands in data flash, the following method is used:

Command Type	SBS Command	SBS Data	Description
Write Word	0x00	0x1yy	<i>ManufacturerAccess()</i> command to set up the data flash (DF) address in order to write a row (32-byte) of data. Yy = the row number where the target DF address is located.
Read/Write Block	0x2F	32-byte of data	<i>ManufacturerInput()</i> command. Issue this command after setting up the DF address to read/write the 32-byte data to the DF.

The following is an example procedure to update a parameter in data flash.

- Identify the physical byte location of the target parameter using the class and subclass ID information. This is typically the subclass ID + Offset.
- Identify the target row number by truncating the division of the byte location and the row length; for example, a byte location 27 would be in row: 27 divided by 32 = row number 0.
- Byte location within the target row is determined by: Byte Index = physical location – (row number * row length)

$$\text{Byte Index} = 27 - (0 * 32) = 27$$

The target byte is in row 0 byte 27.
- Using MAC command 0x1yy, where yy = row number. In this example, the SMBus write command would be 0x100.
- Read the original target row first through a block read command 0x2F before updating.
- Store original data in memory array, so the appropriate byte(s) can be updated.
SMBus block read cmd = 0x2F, length = 32 byte
- Store the read data into a memory array (for example, yRowDataArray).
- Update the target byte (yRowDataArray(27)).
- Write the updated yRowDataArray() array back to the device data flash. To do this, repeat Step 4. Issue SMBus block write cmd = 0 x 27, length 32.
- A read verify is recommended to ensure the data flash has been re-programmed correctly. To do a read verify, repeat Steps 4 and 5.

7.6.5.7.6.2.1 Flash Updates

Data flash can only be updated if $Voltage() \geq \text{Flash Update OK Voltage}$. Flash programming current can cause an increase in LDO dropout. The value of **Flash Update OK Voltage** should be selected so that the bq28550-R1 V_{CC} voltage does not fall below its minimum of 2.4 V during flash write operations.

7.6.5.7.7 Manufacturer Information Blocks

The bq28550-R1 device contains 96 bytes of user-programmable data flash storage: **Manufacturer Info Block A**, **Manufacturer Info Block B**, **Manufacturer Info Block C**. The method for accessing these memory locations is slightly different, depending on whether the device is in FULL ACCESS, UNSEALED, or SEALED mode.

7.6.5.7.8 Access Modes

The bq28550-R1 device provides three security modes (FULL ACCESS, UNSEALED, and SEALED) that control data flash access permissions. Data flash refers to those data flash locations that are accessible to the user, as specified in [Table 8](#).

Table 8. Data Flash Access

Security Mode	SBS Commands	Data Flash	Device Programming
FULL ACCESS	Standard and Extended Commands R/W	R/W	Yes
UNSEALED	Standard and some Extended Commands R/W	R/W	No
SEALED	Standard Commands R/W	None	No

7.6.6 Charging and Charge Termination Indication

7.6.6.1 Detection Charge Termination

For proper bq28550-R1 operation, the user must specify cell charging voltage. The default value for this variable is in the data flash **Charging Voltage**.

The bq28550-R1 device detects charge termination when:

The battery current drops below the **Taper Current** for two consecutive **Current Taper Window** time periods during charging AND battery voltage is equal to or higher than the **Charging Voltage – Taper Voltage**. Full Charge is set when the taper condition is met.

7.6.6.2 Charge Suspend

The bq28550-R1 device suspends charging when:

- Temperature < JT1, OR
- Temperature > JT4 in CHARGE-SUSPEND mode, if the [CHGSUSP] bit in OperationConfiguration is set. This will set the charging current to zero and the charging voltage to zero in the Safety Status Register. Also, the CHG bit is reset in ControlStatus register. The bq28550-R1 device can indicate to resume charging if:
 - Temperature \geq JT1 + Temp Hys, AND
 - Temperature \leq JT3 – Temp Hys.

On resuming, the bq28550-R1 device sets the CHG bit in the ControlStatus Register, and sets ChargingCurrent according to the appropriate charging mode entered. The bq28550-R1 device also leaves the charge-suspend mode when the battery is removed in removable battery mode ([NR] = 0).

7.6.6.3 MANUFACTURER ACCESS(): 0x00/0x01

Issuing a *Control()* command requires a subsequent 2-byte subcommand. These additional bytes specify the particular control function desired. The *Control()* command allows the system to control specific features of the bq28550-R1 device during normal operation, and additional features when the device is in an access mode (described in [Table 9](#)).

Table 9. Control() Subcommands

CNTL Function	CNTL Data	Sealed Access	Description
SET_FULLSLEEP	0x0010	Yes	Set the [FullSleep] bit in Control Status register to 1
SET_HIBERNATE	0x0011	Yes	Forces CONTROL_STATUS [HIBERNATE] to 1
CLEAR_HIBERNATE	0x0012	Yes	Forces CONTROL_STATUS [HIBERNATE] to 0
SET_SHUTDOWN	0x0013	Yes	Forces CONTROL_STATUS [SHUTDOWN] to 1
CLEAR_SHUTDOWN	0x0014	Yes	Forces CONTROL_STATUS [SHUTDOWN] to 0
HOST_DISCONNECT	0x0017	Yes	Forces the DOUT pin low to disable discharge.
HOST_Enable	0x0018	Yes	Forces the DOUT pin high to enable discharge.

7.6.6.4 CONTROL STATUS: 0x0000

Instructs the gas gauge to return status information to Control Status 0x00/0x01. The status word should include the following information.

Table 10. CONTROL STATUS Flags

	Bit 7	Bit 6	Bit 5	Bit 4	Bit 3	Bit 2	Bit 1	Bit 0
High Byte	RSVD	RSVD	RSVD	RSVD	CCA	BCA	RSVD	RSVD
Low Byte	SHUTRQ	HIBERNATE	FULLSLEEP	SLEEP	DSGOFFREQ	RSVD	CHG	DSG

Low Byte

Bit 0 = DSG FET Status, 1 = Discharging allowed (DSG FET ON), 0 = Discharging NOT allowed (DSG FET Turned OFF).

Bit 1 = CHG FET Status, 1 = Charging allowed (CHG FET ON), 0 = Charging NOT allowed action to be taken by Host MCU.

Bit 2 = RSVD (Reserved)

Bit 3 = DSGOFFREQ, DSG FET OFF requested

Bit 4 = SLEEP, Status bit indicating the device is in SLEEP mode. True when set.

Bit 5 = FULLSLEEP, Status bit indicating the device is in FULLSLEEP mode. True when set. The state can be detected by monitoring the power used by the device because any communication will automatically clear it.

Bit 6 = HIBERNATE, Status bit indicating a request for entry into HIBERNATE from SLEEP mode has been issued. True when set. Default is 0. Control bit when set will put the device into the lower power state of SLEEP mode. It is not possible to monitor this bit. **Bit 7** = SHUTRQ. Status bit indicating the gas gauge is enabled to enter SHUTDOWN mode. True when set. Default is 0.

Bit 7 = SHUTRQ, 1 = SHUTDOWN requested

High Byte

Bit 0, 1 = RSVD (Reserved)

Bit 2 = BCA = Status bit indicating the device Board Calibration routine is active. Active when set.

Bit 3 = CCA = Status bit indicating the device Coulomb Counter Calibration routine is active. Active when set.

Bit 4, 5, 6, 7 = RSVD (Reserved)

The following MAC commands are also available.

7.6.6.4.1 SET_FULLSLEEP: 0X0010

Instructs the gas gauge to set the FULLSLEEP bit in the Control Status register to 1. This allows the gauge to enter the FULLSLEEP power mode after the transition to SLEEP power state is detected. In FULLSLEEP mode, less power is consumed by disabling an oscillator circuit used by the communication engines. A communication to the device in FULLSLEEP forces it back to SLEEP mode.

7.6.6.4.2 SET_HIBERNATE: 0x0011

Instructs the gas gauge to force the **CONTROL_STATUS [HIBERNATE]** bit to 1. This allows the gauge to enter the HIBERNATE power mode after the transition to SLEEP power state is detected. The [HIBERNATE] bit is automatically cleared upon exiting from HIBERNATE mode.

7.6.6.4.3 CLEAR_HIBERNATE: 0x0012

Instructs the gas gauge to force the **CONTROL_STATUS [HIBERNATE]** bit to 0. This prevents the gauge from entering the HIBERNATE power mode after the transition to SLEEP power state is detected. It can also be used to force the gauge out of HIBERNATE mode.

7.6.6.4.4 SET_SHUTDOWN: 0x0013

Sets the **CONTROL_STATUS [SHUTDOWN]** bit to 1, enabling the device to enter SHUTDOWN mode if the appropriate conditions are met.

7.6.6.4.5 CLEAR_SHUTDOWN: 0X0014

Clears the **CONTROL_STATUS [SHUTDOWN]** bit to 1, disabling the device from entering SHUTDOWN mode.

7.6.6.4.6 DSG FET OFF (HOST_DISCONNECT): 0x0017

Instructs the gas gauge to force the protection DOUT pin to low level. This prohibits discharging the battery by turning off the external discharge control N-channel MOSFET.

7.6.6.4.7 DSG FET ON (HOST_CONNECT): 0x0018

Instructs the gas gauge to force the protection DOUT pin to high level. This allows discharging the battery by turning on the external discharge control N-channel MOSFET.

8 Application and Implementation

NOTE

Information in the following applications sections is not part of the TI component specification, and TI does not warrant its accuracy or completeness. TI's customers are responsible for determining suitability of components for their purposes. Customers should validate and test their design implementation to confirm system functionality.

8.1 Typical Application

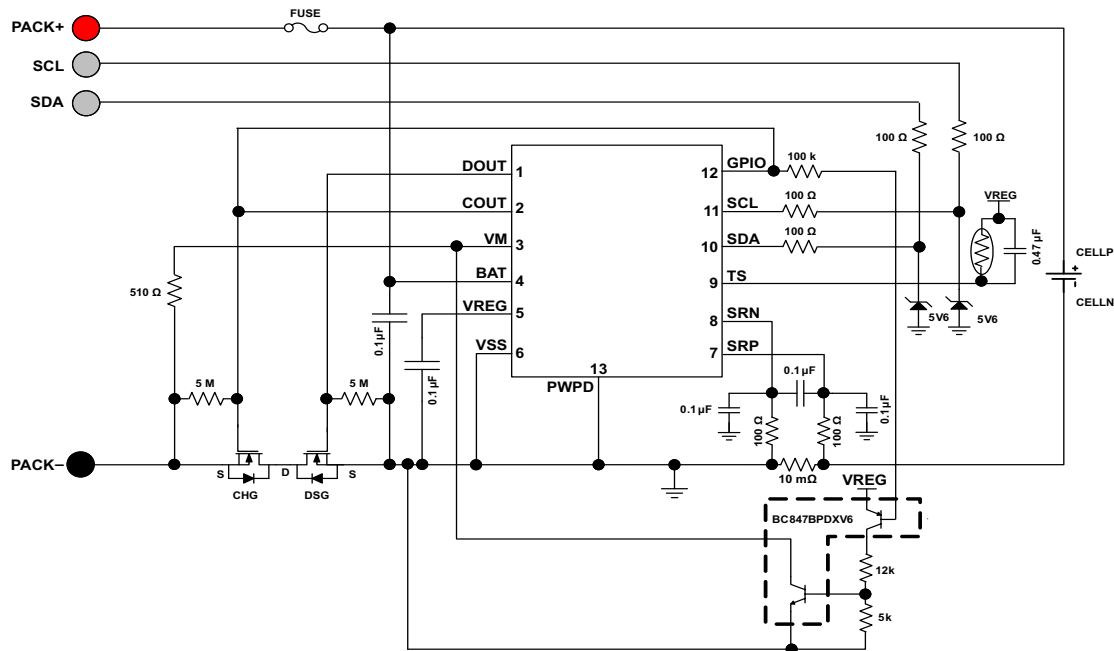


Figure 5. Application—CFET

Typical Application (continued)

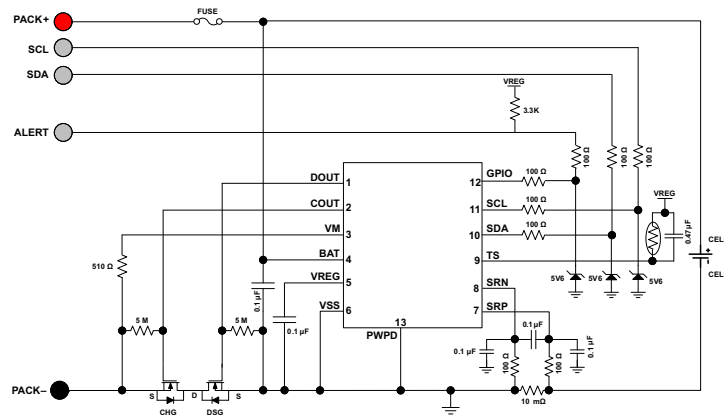
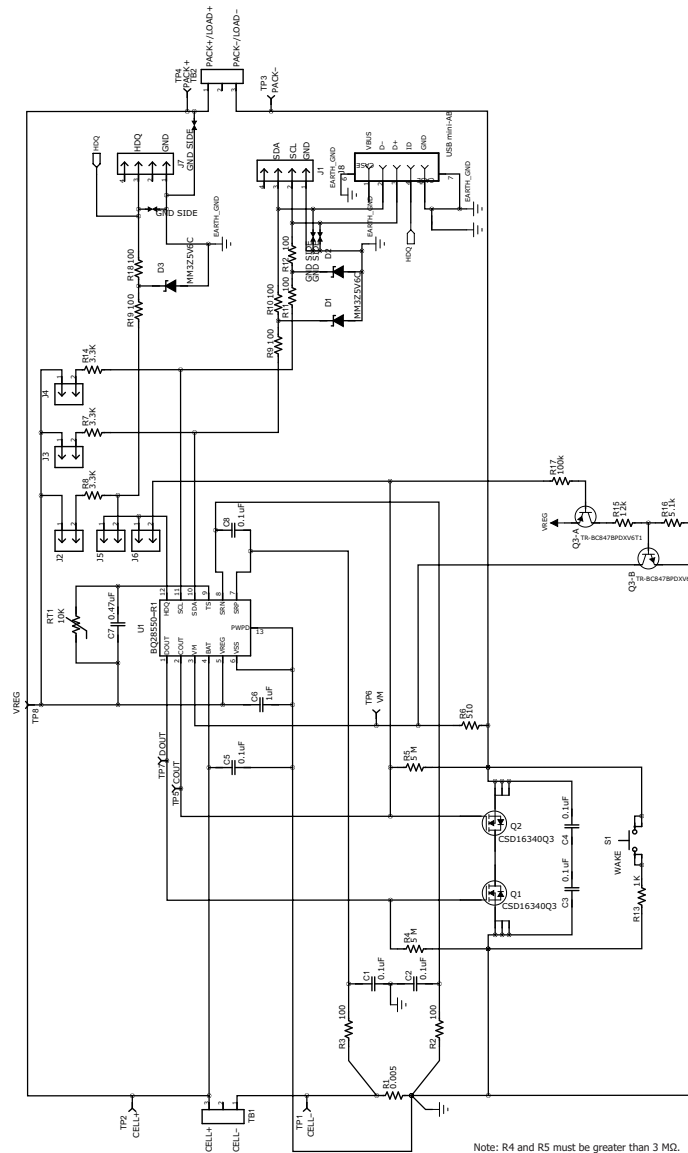


Figure 6. Application—ALERT



Typical Application (continued)

Figure 7. Typical Application Schematic

9 Device and Documentation Support

9.1 Related Documentation

9.1.1 Documentation Support

For more information, see the bq28551-R1 Technical Reference Manual ([SLUU889](#)).

9.2 Trademarks

I²C is a trademark of NXP B.V. Corporation.

9.3 Electrostatic Discharge Caution



This integrated circuit can be damaged by ESD. Texas Instruments recommends that all integrated circuits be handled with appropriate precautions. Failure to observe proper handling and installation procedures can cause damage.

ESD damage can range from subtle performance degradation to complete device failure. Precision integrated circuits may be more susceptible to damage because very small parametric changes could cause the device not to meet its published specifications.

9.4 Glossary

[SLYZ022](#) — *TI Glossary*.

This glossary lists and explains terms, acronyms, and definitions.

10 Mechanical, Packaging, and Orderable Information

The following pages include mechanical, packaging, and orderable information. This information is the most current data available for the designated devices. This data is subject to change without notice and revision of this document. For browser-based versions of this data sheet, refer to the left-hand navigation.

PACKAGING INFORMATION

Orderable Device	Status (1)	Package Type	Package Drawing	Pins	Package Qty	Eco Plan (2)	Lead/Ball Finish (6)	MSL Peak Temp (3)	Op Temp (°C)	Device Marking (4/5)	Samples
BQ28550DRZR	NRND	SON	DRZ	12	3000	Green (RoHS & no Sb/Br)	CU NIPDAU	Level-2-260C-1 YEAR	-40 to 85	BQ 2855	
BQ28550DRZR-R1	NRND	SON	DRZ	12	3000	Green (RoHS & no Sb/Br)	CU NIPDAU	Level-2-260C-1 YEAR	-40 to 85	BQ28 50R1	
BQ28550DRZT	NRND	SON	DRZ	12	250	Green (RoHS & no Sb/Br)	CU NIPDAU	Level-2-260C-1 YEAR	-40 to 85	BQ 2855	
BQ28550DRZT-R1	NRND	SON	DRZ	12	250	Green (RoHS & no Sb/Br)	CU NIPDAU	Level-2-260C-1 YEAR	-40 to 85	BQ28 50R1	

(1) The marketing status values are defined as follows:

ACTIVE: Product device recommended for new designs.

LIFEBUY: TI has announced that the device will be discontinued, and a lifetime-buy period is in effect.

NRND: Not recommended for new designs. Device is in production to support existing customers, but TI does not recommend using this part in a new design.

PREVIEW: Device has been announced but is not in production. Samples may or may not be available.

OBSELETE: TI has discontinued the production of the device.

(2) Eco Plan - The planned eco-friendly classification: Pb-Free (RoHS), Pb-Free (RoHS Exempt), or Green (RoHS & no Sb/Br) - please check <http://www.ti.com/productcontent> for the latest availability information and additional product content details.

TBD: The Pb-Free/Green conversion plan has not been defined.

Pb-Free (RoHS): TI's terms "Lead-Free" or "Pb-Free" mean semiconductor products that are compatible with the current RoHS requirements for all 6 substances, including the requirement that lead not exceed 0.1% by weight in homogeneous materials. Where designed to be soldered at high temperatures, TI Pb-Free products are suitable for use in specified lead-free processes.

Pb-Free (RoHS Exempt): This component has a RoHS exemption for either 1) lead-based flip-chip solder bumps used between the die and package, or 2) lead-based die adhesive used between the die and leadframe. The component is otherwise considered Pb-Free (RoHS compatible) as defined above.

Green (RoHS & no Sb/Br): TI defines "Green" to mean Pb-Free (RoHS compatible), and free of Bromine (Br) and Antimony (Sb) based flame retardants (Br or Sb do not exceed 0.1% by weight in homogeneous material)

(3) MSL, Peak Temp. - The Moisture Sensitivity Level rating according to the JEDEC industry standard classifications, and peak solder temperature.

(4) There may be additional marking, which relates to the logo, the lot trace code information, or the environmental category on the device.

(5) Multiple Device Markings will be inside parentheses. Only one Device Marking contained in parentheses and separated by a "~" will appear on a device. If a line is indented then it is a continuation of the previous line and the two combined represent the entire Device Marking for that device.

(6) Lead/Ball Finish - Orderable Devices may have multiple material finish options. Finish options are separated by a vertical ruled line. Lead/Ball Finish values may wrap to two lines if the finish value exceeds the maximum column width.

Important Information and Disclaimer: The information provided on this page represents TI's knowledge and belief as of the date that it is provided. TI bases its knowledge and belief on information provided by third parties, and makes no representation or warranty as to the accuracy of such information. Efforts are underway to better integrate information from third parties. TI has taken and continues to take reasonable steps to provide representative and accurate information but may not have conducted destructive testing or chemical analysis on incoming materials and chemicals. TI and TI suppliers consider certain information to be proprietary, and thus CAS numbers and other limited information may not be available for release.

In no event shall TI's liability arising out of such information exceed the total purchase price of the TI part(s) at issue in this document sold by TI to Customer on an annual basis.

TAPE AND REEL INFORMATION

QUADRANT ASSIGNMENTS FOR PIN 1 ORIENTATION IN TAPE


*All dimensions are nominal

Device	Package Type	Package Drawing	Pins	SPQ	Reel Diameter (mm)	Reel Width W1 (mm)	A0 (mm)	B0 (mm)	K0 (mm)	P1 (mm)	W (mm)	Pin1 Quadrant
BQ28550DRZR	SON	DRZ	12	3000	330.0	12.4	2.8	4.3	1.2	4.0	12.0	Q2
BQ28550DRZR-R1	SON	DRZ	12	3000	330.0	12.4	2.8	4.3	1.2	4.0	12.0	Q2
BQ28550DRZT	SON	DRZ	12	250	330.0	12.4	2.8	4.3	1.2	4.0	12.0	Q2
BQ28550DRZT-R1	SON	DRZ	12	250	330.0	12.4	2.8	4.3	1.2	4.0	12.0	Q2

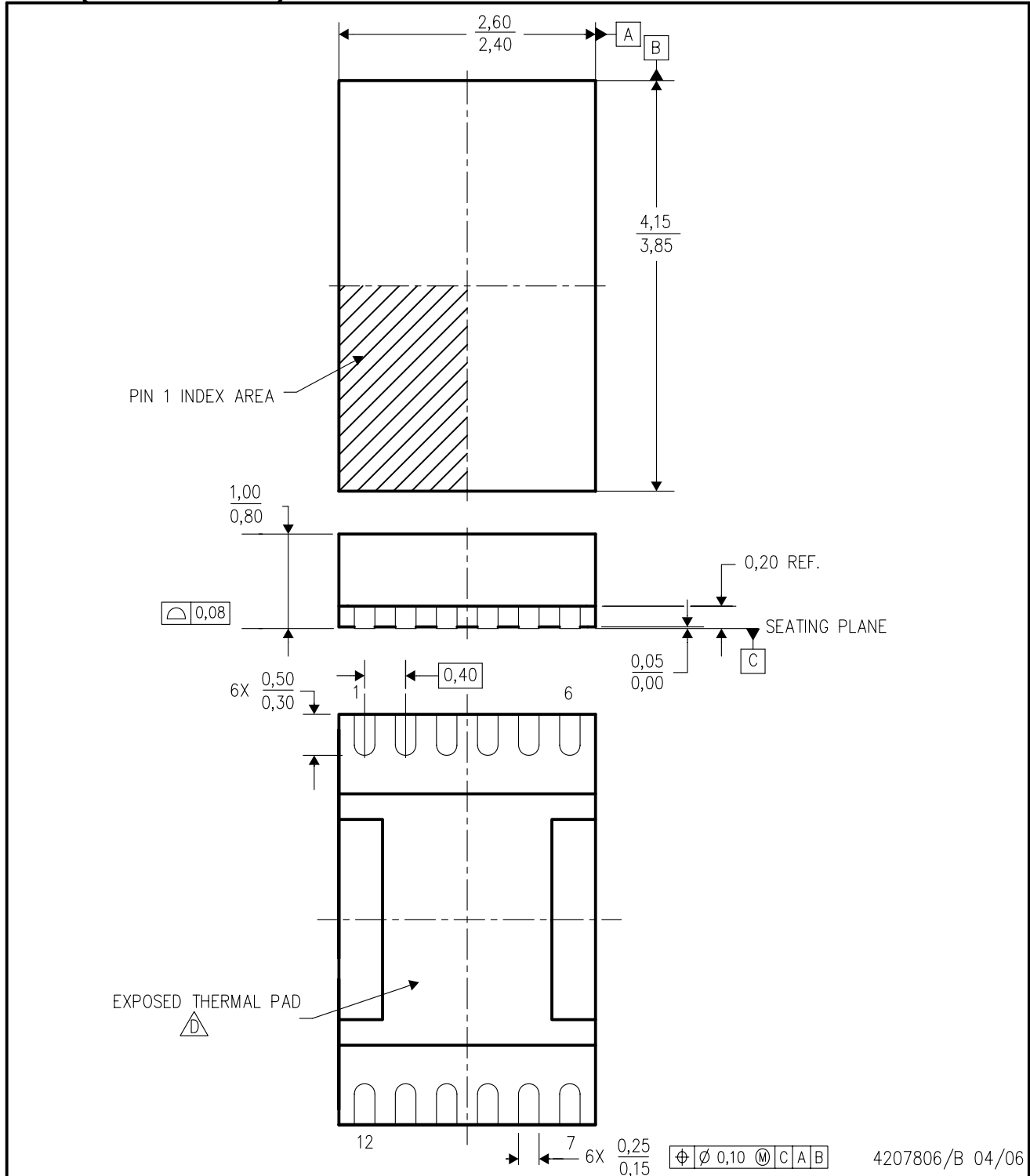
TAPE AND REEL BOX DIMENSIONS



*All dimensions are nominal

Device	Package Type	Package Drawing	Pins	SPQ	Length (mm)	Width (mm)	Height (mm)
BQ28550DRZR	SON	DRZ	12	3000	338.1	338.1	20.6
BQ28550DRZR-R1	SON	DRZ	12	3000	338.1	338.1	20.6
BQ28550DRZT	SON	DRZ	12	250	338.1	338.1	20.6
BQ28550DRZT-R1	SON	DRZ	12	250	338.1	338.1	20.6

DRZ (S-PDSO-N12)

PLASTIC SMALL OUTLINE



- NOTES:
- A. All linear dimensions are in millimeters. Dimensioning and tolerancing per ASME Y14.5M-1994.
 - B. This drawing is subject to change without notice.
 - C. Small Outline No-Lead (SON) package configuration.
 -  The package thermal pad must be soldered to the board for thermal and mechanical performance. See the Product Data Sheet for details regarding the exposed thermal pad dimensions.
 - E. This package is lead-free.

DRZ (R-PDSO-N12)

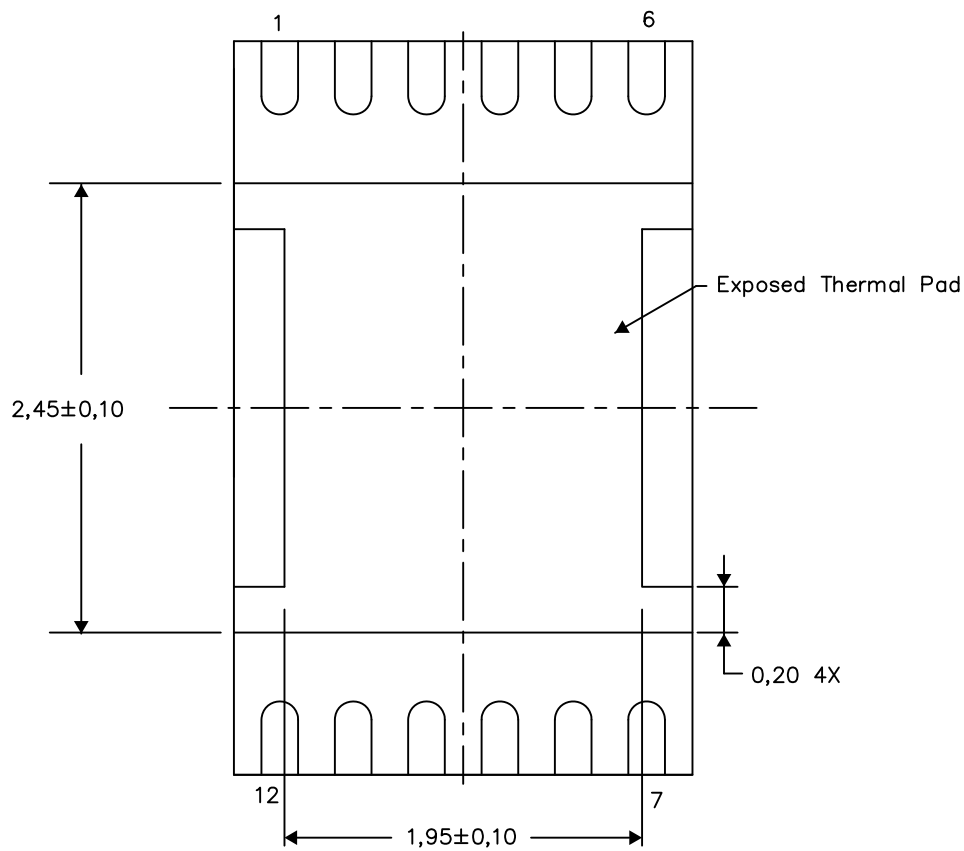
PLASTIC SMALL OUTLINE NO-LEAD

THERMAL INFORMATION

This package incorporates an exposed thermal pad that is designed to be attached directly to an external heatsink. The thermal pad must be soldered directly to the printed circuit board (PCB). After soldering, the PCB can be used as a heatsink. In addition, through the use of thermal vias, the thermal pad can be attached directly to the appropriate copper plane shown in the electrical schematic for the device, or alternatively, can be attached to a special heatsink structure designed into the PCB. This design optimizes the heat transfer from the integrated circuit (IC).

For information on the Quad Flatpack No-Lead (QFN) package and its advantages, refer to Application Report, QFN/SON PCB Attachment, Texas Instruments Literature No. SLUA271. This document is available at www.ti.com.

The exposed thermal pad dimensions for this package are shown in the following illustration.



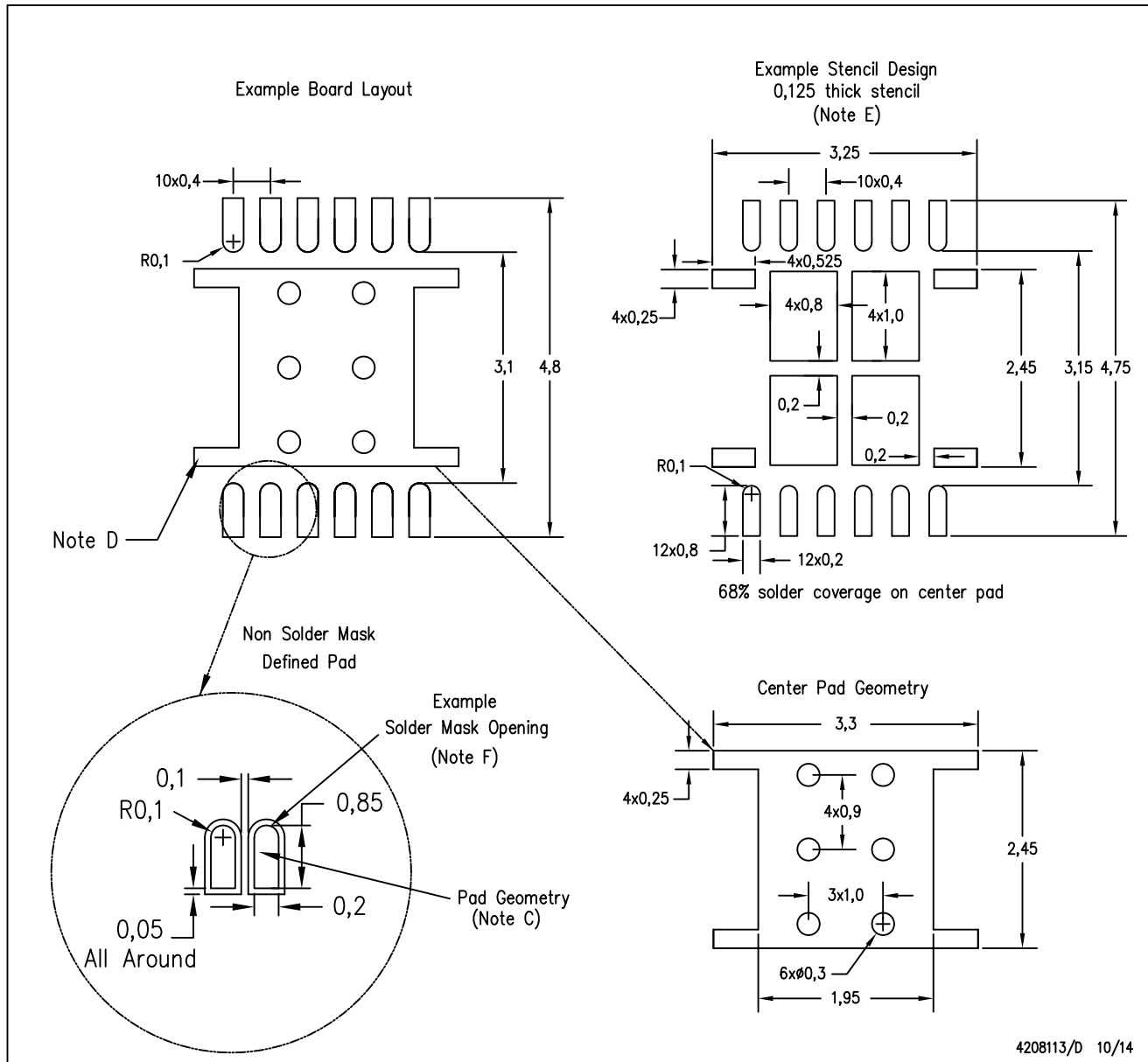
Bottom View
Exposed Thermal Pad Dimensions

4208114/F 10/14

NOTE: All linear dimensions are in millimeters

DRZ (S-PDSO-N12)

PLASTIC SMALL OUTLINE NO-LEAD



- NOTES:
- All linear dimensions are in millimeters.
 - This drawing is subject to change without notice.
 - Publication IPC-7351 is recommended for alternate designs.
 - This package is designed to be soldered to a thermal pad on the board. Refer to Application Note, Quad Flat-Pack Packages, Texas Instruments Literature No. SCBA017, SLUA271, and also the Product Data Sheets for specific thermal information, via requirements, and recommended board layout. These documents are available at www.ti.com <<http://www.ti.com>>.
 - Laser cutting apertures with trapezoidal walls and also rounding corners will offer better paste release. Customers should contact their board assembly site for stencil design recommendations. Refer to IPC 7525 for stencil design considerations.
 - Customers should contact their board fabrication site for minimum solder mask web tolerances between signal pads.

IMPORTANT NOTICE

Texas Instruments Incorporated and its subsidiaries (TI) reserve the right to make corrections, enhancements, improvements and other changes to its semiconductor products and services per JESD46, latest issue, and to discontinue any product or service per JESD48, latest issue. Buyers should obtain the latest relevant information before placing orders and should verify that such information is current and complete. All semiconductor products (also referred to herein as "components") are sold subject to TI's terms and conditions of sale supplied at the time of order acknowledgment.

TI warrants performance of its components to the specifications applicable at the time of sale, in accordance with the warranty in TI's terms and conditions of sale of semiconductor products. Testing and other quality control techniques are used to the extent TI deems necessary to support this warranty. Except where mandated by applicable law, testing of all parameters of each component is not necessarily performed.

TI assumes no liability for applications assistance or the design of Buyers' products. Buyers are responsible for their products and applications using TI components. To minimize the risks associated with Buyers' products and applications, Buyers should provide adequate design and operating safeguards.

TI does not warrant or represent that any license, either express or implied, is granted under any patent right, copyright, mask work right, or other intellectual property right relating to any combination, machine, or process in which TI components or services are used. Information published by TI regarding third-party products or services does not constitute a license to use such products or services or a warranty or endorsement thereof. Use of such information may require a license from a third party under the patents or other intellectual property of the third party, or a license from TI under the patents or other intellectual property of TI.

Reproduction of significant portions of TI information in TI data books or data sheets is permissible only if reproduction is without alteration and is accompanied by all associated warranties, conditions, limitations, and notices. TI is not responsible or liable for such altered documentation. Information of third parties may be subject to additional restrictions.

Resale of TI components or services with statements different from or beyond the parameters stated by TI for that component or service voids all express and any implied warranties for the associated TI component or service and is an unfair and deceptive business practice. TI is not responsible or liable for any such statements.

Buyer acknowledges and agrees that it is solely responsible for compliance with all legal, regulatory and safety-related requirements concerning its products, and any use of TI components in its applications, notwithstanding any applications-related information or support that may be provided by TI. Buyer represents and agrees that it has all the necessary expertise to create and implement safeguards which anticipate dangerous consequences of failures, monitor failures and their consequences, lessen the likelihood of failures that might cause harm and take appropriate remedial actions. Buyer will fully indemnify TI and its representatives against any damages arising out of the use of any TI components in safety-critical applications.

In some cases, TI components may be promoted specifically to facilitate safety-related applications. With such components, TI's goal is to help enable customers to design and create their own end-product solutions that meet applicable functional safety standards and requirements. Nonetheless, such components are subject to these terms.

No TI components are authorized for use in FDA Class III (or similar life-critical medical equipment) unless authorized officers of the parties have executed a special agreement specifically governing such use.

Only those TI components which TI has specifically designated as military grade or "enhanced plastic" are designed and intended for use in military/aerospace applications or environments. Buyer acknowledges and agrees that any military or aerospace use of TI components which have **not** been so designated is solely at the Buyer's risk, and that Buyer is solely responsible for compliance with all legal and regulatory requirements in connection with such use.

TI has specifically designated certain components as meeting ISO/TS16949 requirements, mainly for automotive use. In any case of use of non-designated products, TI will not be responsible for any failure to meet ISO/TS16949.

Products

Audio	www.ti.com/audio
Amplifiers	amplifier.ti.com
Data Converters	dataconverter.ti.com
DLP® Products	www.dlp.com
DSP	dsp.ti.com
Clocks and Timers	www.ti.com/clocks
Interface	interface.ti.com
Logic	logic.ti.com
Power Mgmt	power.ti.com
Microcontrollers	microcontroller.ti.com
RFID	www.ti-rfid.com
OMAP Applications Processors	www.ti.com/omap
Wireless Connectivity	www.ti.com/wirelessconnectivity

Applications

Automotive and Transportation	www.ti.com/automotive
Communications and Telecom	www.ti.com/communications
Computers and Peripherals	www.ti.com/computers
Consumer Electronics	www.ti.com/consumer-apps
Energy and Lighting	www.ti.com/energy
Industrial	www.ti.com/industrial
Medical	www.ti.com/medical
Security	www.ti.com/security
Space, Avionics and Defense	www.ti.com/space-avionics-defense
Video and Imaging	www.ti.com/video

TI E2E Community

e2e.ti.com