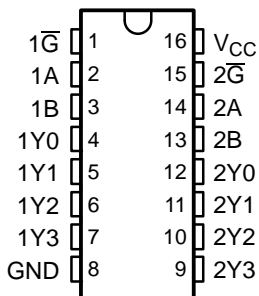


**FEATURES**

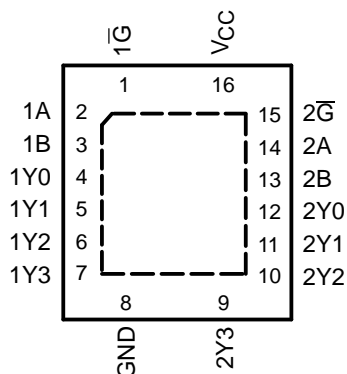
- Operates From 1.65 V to 3.6 V
- Inputs Accept Voltages to 5.5 V
- Max  $t_{pd}$  of 6.2 ns
- Typical  $V_{OLP}$  (Output Ground Bounce) <0.8 V at  $V_{CC} = 3.3$  V,  $T_A = 25^\circ\text{C}$
- Typical  $V_{OHV}$  (Output  $V_{OH}$  Undershoot) >2 V at  $V_{CC} = 3.3$  V,  $T_A = 25^\circ\text{C}$

- Latch-Up Performance Exceeds 250 mA Per JESD 17
- ESD Protection Exceeds JESD 22
  - 2000-V Human-Body Model (A114-A)
  - 200-V Machine Model (A115-A)
  - 1000-V Charged-Device Model (C101)

**D, DB, DGV, NS, OR PW PACKAGE (TOP VIEW)**



**RGY PACKAGE (TOP VIEW)**



**DESCRIPTION/ORDERING INFORMATION**

This dual 2-line to 4-line decoder/demultiplexer is designed for 1.65-V to 3.6-V  $V_{CC}$  operation.

The device comprises two individual 2-line to 4-line decoders in a single package. The active-low enable ( $\bar{G}$ ) input can be used as a data line in demultiplexing applications. This decoder/demultiplexer features fully buffered inputs, each of which represents only one normalized load to its driving circuit.

Inputs can be driven from either 3.3-V or 5-V devices. This feature allows the use of this device as a translator in a mixed 3.3-V/5-V system environment.

**ORDERING INFORMATION**

| $T_A$                 | PACKAGE <sup>(1)</sup> |                 | ORDERABLE PART NUMBER | TOP-SIDE MARKING |
|-----------------------|------------------------|-----------------|-----------------------|------------------|
| -40°C to 85°C         | QFN – RGY              | Reel of 1000    | SN74LVC139ARGYR       | LC139A           |
|                       |                        | Tube of 40      | SN74LVC139AD          |                  |
|                       | SOIC – D               | Reel of 2500    | SN74LVC139ADR         | LVC139A          |
|                       |                        | Reel of 250     | SN74LVC139ADT         |                  |
|                       |                        | SOP – NS        | Reel of 2000          |                  |
|                       | SSOP – DB              | Reel of 2000    | SN74LVC139ADBR        | LC139A           |
|                       | TSSOP – PW             | Tube of 90      | SN74LVC139APW         | LC139A           |
|                       |                        | Reel of 2000    | SN74LVC139APWR        |                  |
|                       |                        | Reel of 250     | SN74LVC139APWT        |                  |
|                       | TVSOP – DGV            | Reel of 2000    | SN74LVC139ADGVR       | LC139A           |
| VFBGA – GQN           | Reel of 1000           | SN74LVC139AGQNR | LC139A                |                  |
| VFBGA – ZQN (Pb-free) |                        | SN74LVC139AZQNR |                       |                  |

(1) Package drawings, standard packing quantities, thermal data, symbolization, and PCB design guidelines are available at [www.ti.com/sc/package](http://www.ti.com/sc/package).

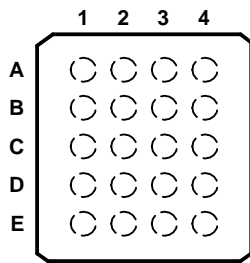


Please be aware that an important notice concerning availability, standard warranty, and use in critical applications of Texas Instruments semiconductor products and disclaimers thereto appears at the end of this data sheet.

# SN74LVC139A DUAL 2-LINE TO 4-LINE DECODER/DEMULTIPLEXER

SCAS3410—MARCH 1994—REVISED FEBRUARY 2005

GQN OR ZQN PACKAGE  
(TOP VIEW)



TERMINAL ASSIGNMENTS

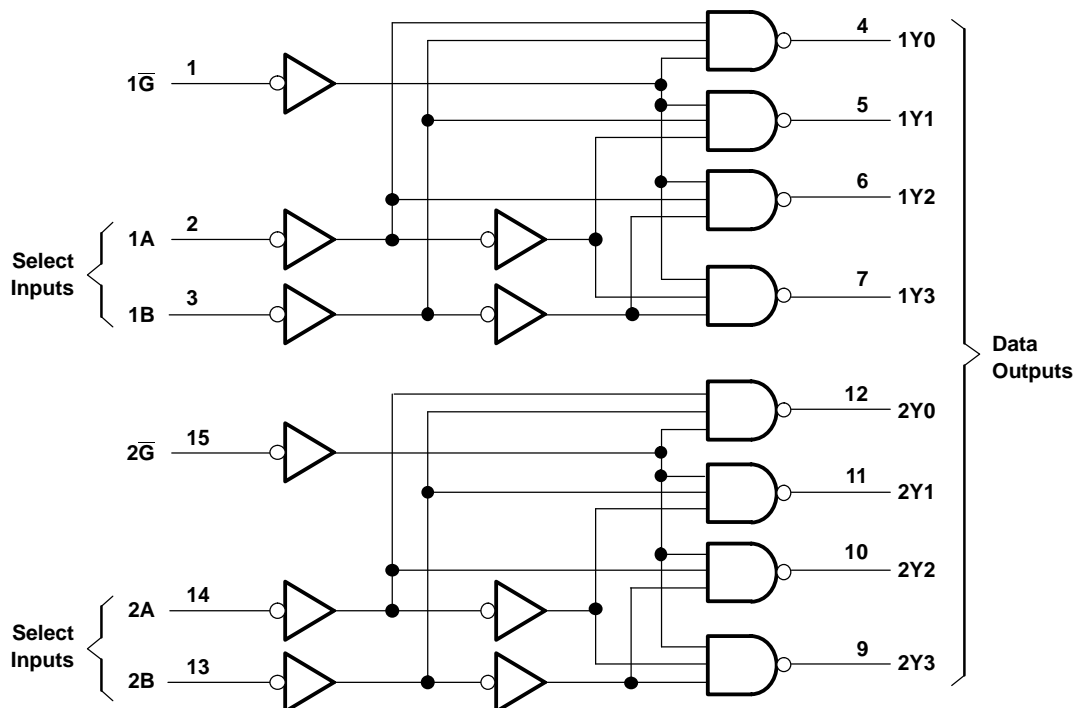
|   | 1   | 2                 | 3                 | 4           |
|---|-----|-------------------|-------------------|-------------|
| A | 1A  | 1 $\bar{G}$       | V <sub>CC</sub>   | 2 $\bar{G}$ |
| B | 1B  | NC <sup>(1)</sup> | NC <sup>(1)</sup> | 2A          |
| C | 1Y1 | 1Y0               | 2Y0               | 2B          |
| D | 1Y2 | NC <sup>(1)</sup> | NC <sup>(1)</sup> | 2Y1         |
| E | GND | 1Y3               | 2Y3               | 2Y2         |

(1) NC - No internal connection

FUNCTION TABLE  
(EACH DECODER/DEMULTIPLEXER)

| $\bar{G}$ | INPUTS |   | OUTPUTS |    |    |    |
|-----------|--------|---|---------|----|----|----|
|           | SELECT |   | Y3      | Y2 | Y1 | Y0 |
|           | B      | A |         |    |    |    |
| L         | L      | L | H       | H  | H  | L  |
| L         | L      | H | H       | H  | L  | H  |
| L         | H      | L | H       | L  | H  | H  |
| L         | H      | H | L       | H  | H  | H  |
| H         | X      | X | H       | H  | H  | H  |

LOGIC DIAGRAM (POSITIVE LOGIC)



Pin numbers shown are for the D, DB, DGV, NS, PW, and RGY packages.

### Absolute Maximum Ratings<sup>(1)</sup>

over operating free-air temperature range (unless otherwise noted)

|                  |   | MIN                            | MAX                   | UNIT       |
|------------------|---|--------------------------------|-----------------------|------------|
| V <sub>CC</sub>  | Supply voltage range                              | –0.5                           | 6.5                   | V          |
| V <sub>I</sub>   | Input voltage range <sup>(2)</sup>                | –0.5                           | 6.5                   | V          |
| V <sub>O</sub>   | Output voltage range <sup>(2)(3)</sup>            | –0.5                           | V <sub>CC</sub> + 0.5 | V          |
| I <sub>IK</sub>  | Input clamp current                               | V <sub>I</sub> < 0             |                       | –50<br>mA  |
| I <sub>OK</sub>  | Output clamp current                              | V <sub>O</sub> < 0             |                       | –50<br>mA  |
| I <sub>O</sub>   | Continuous output current                         |                                |                       | ±50<br>mA  |
|                  | Continuous current through V <sub>CC</sub> or GND |                                |                       | ±100<br>mA |
| θ <sub>JA</sub>  | Package thermal impedance                         | D package <sup>(4)</sup>       |                       | 73         |
|                  |   | DB package <sup>(4)</sup>      |                       | 82         |
|                  |   | DGV package <sup>(4)</sup>     |                       | 120        |
|                  |   | GQN/ZQN package <sup>(4)</sup> |                       | 78         |
|                  |   | NS package <sup>(4)</sup>      |                       | 64         |
|                  |   | PW package <sup>(4)</sup>      |                       | 108        |
|                  |   | RGY package <sup>(5)</sup>     |                       | 39         |
| T <sub>stg</sub> | Storage temperature range                         | –65                            | 150                   | °C         |

- (1) Stresses beyond those listed under "absolute maximum ratings" may cause permanent damage to the device. These are stress ratings only, and functional operation of the device at these or any other conditions beyond those indicated under "recommended operating conditions" is not implied. Exposure to absolute-maximum-rated conditions for extended periods may affect device reliability.
- (2) The input and output negative-voltage ratings may be exceeded if the input and output current ratings are observed.
- (3) The value of V<sub>CC</sub> is provided in the recommended operating conditions table.
- (4) The package thermal impedance is calculated in accordance with JESD 51-7.
- (5) The package thermal impedance is calculated in accordance with JESD 51-5.

### Recommended Operating Conditions<sup>(1)</sup>

|                 |                                    | MIN                                | MAX                    | UNIT |
|-----------------|------------------------------------|------------------------------------|------------------------|------|
| V <sub>CC</sub> | Supply voltage                     | Operating                          | 1.65                   | 3.6  |
|                 |                                    | Data retention only                | 1.5                    |      |
| V <sub>IH</sub> | High-level input voltage           | V <sub>CC</sub> = 1.65 V to 1.95 V | 0.65 × V <sub>CC</sub> |      |
|                 |                                    | V <sub>CC</sub> = 2.3 V to 2.7 V   | 1.7                    |      |
|                 |                                    | V <sub>CC</sub> = 2.7 V to 3.6 V   | 2                      |      |
| V <sub>IL</sub> | Low-level input voltage            | V <sub>CC</sub> = 1.65 V to 1.95 V | 0.35 × V <sub>CC</sub> |      |
|                 |                                    | V <sub>CC</sub> = 2.3 V to 2.7 V   | 0.7                    |      |
|                 |                                    | V <sub>CC</sub> = 2.7 V to 3.6 V   | 0.8                    |      |
| V <sub>I</sub>  | Input voltage                      | 0                                  | 5.5                    | V    |
| V <sub>O</sub>  | Output voltage                     | 0                                  | V <sub>CC</sub>        | V    |
| I <sub>OH</sub> | High-level output current          | V <sub>CC</sub> = 1.65 V           | –4                     |      |
|                 |                                    | V <sub>CC</sub> = 2.3 V            | –8                     |      |
|                 |                                    | V <sub>CC</sub> = 2.7 V            | –12                    |      |
|                 |                                    | V <sub>CC</sub> = 3 V              | –24                    |      |
| I <sub>OL</sub> | Low-level output current           | V <sub>CC</sub> = 1.65 V           | 4                      |      |
|                 |                                    | V <sub>CC</sub> = 2.3 V            | 8                      |      |
|                 |                                    | V <sub>CC</sub> = 2.7 V            | 12                     |      |
|                 |                                    | V <sub>CC</sub> = 3 V              | 24                     |      |
| Δt/Δv           | Input transition rise or fall rate |                                    | 10                     | ns/V |
| T <sub>A</sub>  | Operating free-air temperature     | –40                                | 85                     | °C   |

- (1) All unused inputs of the device must be held at V<sub>CC</sub> or GND to ensure proper device operation. Refer to the TI application report, *Implications of Slow or Floating CMOS Inputs*, literature number SCBA004.

# SN74LVC139A DUAL 2-LINE TO 4-LINE DECODER/DEMULTIPLEXER

SCAS3410–MARCH 1994–REVISED FEBRUARY 2005

## Electrical Characteristics

over recommended operating free-air temperature range (unless otherwise noted)

| PARAMETER        |                          | TEST CONDITIONS  | V <sub>CC</sub> | MIN                   | TYP <sup>(1)</sup> | MAX  | UNIT |
|------------------|--------------------------|--|-----------------|-----------------------|--------------------|------|------|
| V <sub>OH</sub>  |                          | I <sub>OH</sub> = -100 μA  | 1.65 V to 3.6 V | V <sub>CC</sub> - 0.2 |                    |      | V    |
|                  |                          | I <sub>OH</sub> = -4 mA  | 1.65 V          | 1.2                   |                    |      |      |
|                  |                          | I <sub>OH</sub> = -8 mA  | 2.3 V           | 1.7                   |                    |      |      |
|                  |                          | I <sub>OH</sub> = -12 mA   | 2.7 V           | 2.2                   |                    |      |      |
|                  |                          |  | 3 V             | 2.4                   |                    |      |      |
|                  | I <sub>OH</sub> = -24 mA | 3 V  | 2.2             |                       |                    |      |      |
| V <sub>OL</sub>  |                          | I <sub>OL</sub> = 100 μA   | 1.65 V to 3.6 V |                       |                    | 0.2  | V    |
|                  |                          | I <sub>OL</sub> = 4 mA   | 1.65 V          |                       |                    | 0.45 |      |
|                  |                          | I <sub>OL</sub> = 8 mA   | 2.3 V           |                       |                    | 0.7  |      |
|                  |                          | I <sub>OL</sub> = 12 mA  | 2.7 V           |                       |                    | 0.4  |      |
|                  |                          | I <sub>OL</sub> = 24 mA  | 3 V             |                       |                    | 0.55 |      |
| I <sub>I</sub>   | All inputs               | V <sub>I</sub> = 5.5 V or GND  | 3.6 V           |                       |                    | ±5   | μA   |
| I <sub>CC</sub>  |                          | V <sub>I</sub> = V <sub>CC</sub> or GND, I <sub>O</sub> = 0                  | 3.6 V           |                       |                    | 10   | μA   |
| ΔI <sub>CC</sub> |                          | One input at V <sub>CC</sub> - 0.6 V, Other inputs at V <sub>CC</sub> or GND | 2.7 V to 3.6 V  |                       |                    | 500  | μA   |
| C <sub>i</sub>   |                          | V <sub>I</sub> = V <sub>CC</sub> or GND                                      | 3.3 V           |                       |                    | 5    | pF   |

(1) All typical values are at V<sub>CC</sub> = 3.3 V, T<sub>A</sub> = 25°C.

## Switching Characteristics

over recommended operating free-air temperature range (unless otherwise noted) (see Figure 1)

| PARAMETER          | FROM (INPUT) | TO (OUTPUT) | V <sub>CC</sub> = 1.8 V ± 0.15 V |      | V <sub>CC</sub> = 2.5 V ± 0.2 V |     | V <sub>CC</sub> = 2.7 V |     | V <sub>CC</sub> = 3.3 V ± 0.3 V |     | UNIT |
|--------------------|--------------|-------------|----------------------------------|------|---------------------------------|-----|-------------------------|-----|---------------------------------|-----|------|
|                    |              |             | MIN                              | MAX  | MIN                             | MAX | MIN                     | MAX | MIN                             | MAX |      |
| t <sub>pd</sub>    | A or B       | Y           | 1                                | 20.6 | 1                               | 9.3 | 1                       | 7.3 | 1                               | 6.2 | ns   |
|                    | $\bar{G}$    |             | 1                                | 19.5 | 1                               | 7.2 | 1                       | 5.2 | 1                               | 4.7 |      |
| t <sub>sk(o)</sub> |              |             |                                  |      |                                 |     |                         |     | 1                               | ns  |      |

## Operating Characteristics

T<sub>A</sub> = 25°C

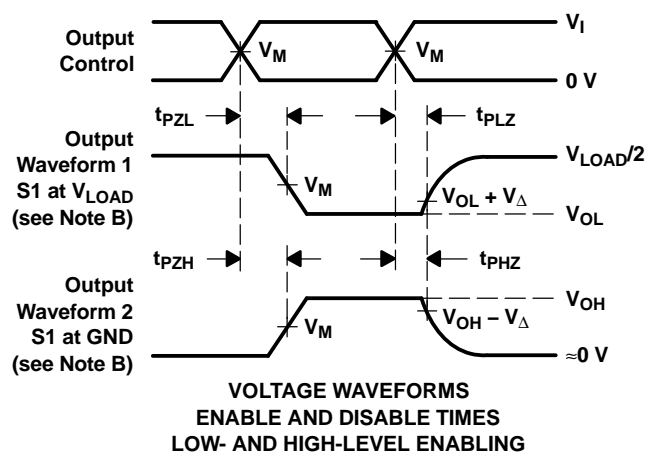
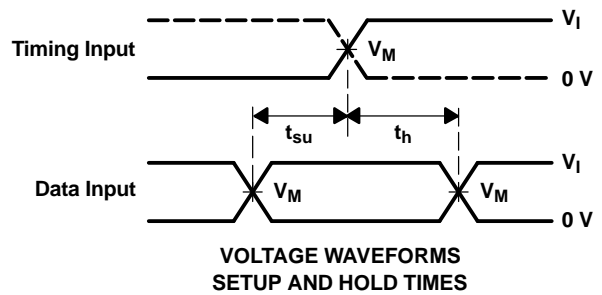
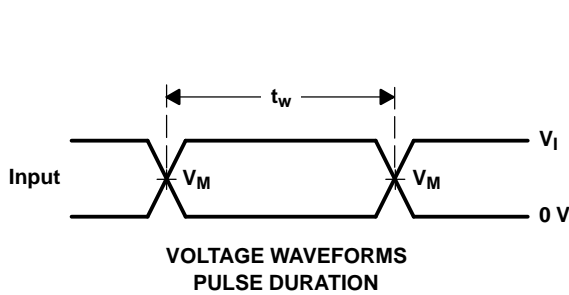
| PARAMETER                                     | TEST CONDITIONS | V <sub>CC</sub> = 1.8 V | V <sub>CC</sub> = 2.5 V | V <sub>CC</sub> = 3.3 V | UNIT |
|---|-----------------|-------------------------|-------------------------|-------------------------|------|
|   |                 | TYP                     | TYP                     | TYP                     |      |
| C <sub>pd</sub> Power dissipation capacitance | f = 10 MHz      | 28.5                    | 29.5                    | 30.5                    | pF   |

PARAMETER MEASUREMENT INFORMATION



| TEST              | S1         |
|-------------------|------------|
| $t_{PLH}/t_{PHL}$ | Open       |
| $t_{PLZ}/t_{PZL}$ | $V_{LOAD}$ |
| $t_{PHZ}/t_{PZH}$ | GND        |

| $V_{CC}$                         | INPUTS   |                      | $V_M$      | $V_{LOAD}$        | $C_L$ | $R_L$        | $V_{\Delta}$ |
|----------------------------------|----------|----------------------|------------|-------------------|-------|--------------|--------------|
|                                  | $V_I$    | $t_r/t_f$            |            |                   |       |              |              |
| $1.8\text{ V} \pm 0.15\text{ V}$ | $V_{CC}$ | $\leq 2\text{ ns}$   | $V_{CC}/2$ | $2 \times V_{CC}$ | 30 pF | 1 k $\Omega$ | 0.15 V       |
| $2.5\text{ V} \pm 0.2\text{ V}$  | $V_{CC}$ | $\leq 2\text{ ns}$   | $V_{CC}/2$ | $2 \times V_{CC}$ | 30 pF | 500 $\Omega$ | 0.15 V       |
| 2.7 V                            | 2.7 V    | $\leq 2.5\text{ ns}$ | 1.5 V      | 6 V               | 50 pF | 500 $\Omega$ | 0.3 V        |
| $3.3\text{ V} \pm 0.3\text{ V}$  | 2.7 V    | $\leq 2.5\text{ ns}$ | 1.5 V      | 6 V               | 50 pF | 500 $\Omega$ | 0.3 V        |



- NOTES:
- A.  $C_L$  includes probe and jig capacitance.
  - B. Waveform 1 is for an output with internal conditions such that the output is low, except when disabled by the output control. Waveform 2 is for an output with internal conditions such that the output is high, except when disabled by the output control.
  - C. All input pulses are supplied by generators having the following characteristics: PRR  $\leq 10\text{ MHz}$ ,  $Z_O = 50\ \Omega$ .
  - D. The outputs are measured one at a time, with one transition per measurement.
  - E.  $t_{PLZ}$  and  $t_{PHZ}$  are the same as  $t_{dis}$ .
  - F.  $t_{PZL}$  and  $t_{PZH}$  are the same as  $t_{en}$ .
  - G.  $t_{PLH}$  and  $t_{PHL}$  are the same as  $t_{pd}$ .
  - H. All parameters and waveforms are not applicable to all devices.

Figure 1. Load Circuit and Voltage Waveforms

**PACKAGING INFORMATION**

| Orderable Device | Status<br>(1) | Package Type               | Package<br>Drawing | Pins | Package<br>Qty | Eco Plan<br>(2)            | Lead/Ball Finish<br>(6) | MSL Peak Temp<br>(3) | Op Temp (°C) | Device Marking<br>(4/5) | Samples                 |
|------------------|---------------|----------------------------|--------------------|------|----------------|----------------------------|-------------------------|----------------------|--------------|-------------------------|-------------------------|
| SN74LVC139AD     | ACTIVE        | SOIC                       | D                  | 16   | 40             | Green (RoHS<br>& no Sb/Br) | CU NIPDAU               | Level-1-260C-UNLIM   | -40 to 85    | LVC139A                 | <a href="#">Samples</a> |
| SN74LVC139ADBLE  | OBSOLETE      | SSOP                       | DB                 | 16   |                | TBD                        | Call TI                 | Call TI              | -40 to 85    |                         |                         |
| SN74LVC139ADBR   | ACTIVE        | SSOP                       | DB                 | 16   | 2000           | Green (RoHS<br>& no Sb/Br) | CU NIPDAU               | Level-1-260C-UNLIM   | -40 to 85    | LC139A                  | <a href="#">Samples</a> |
| SN74LVC139ADE4   | ACTIVE        | SOIC                       | D                  | 16   | 40             | Green (RoHS<br>& no Sb/Br) | CU NIPDAU               | Level-1-260C-UNLIM   | -40 to 85    | LVC139A                 | <a href="#">Samples</a> |
| SN74LVC139ADG4   | ACTIVE        | SOIC                       | D                  | 16   | 40             | Green (RoHS<br>& no Sb/Br) | CU NIPDAU               | Level-1-260C-UNLIM   | -40 to 85    | LVC139A                 | <a href="#">Samples</a> |
| SN74LVC139ADGVR  | ACTIVE        | TVSOP                      | DGV                | 16   | 2000           | Green (RoHS<br>& no Sb/Br) | CU NIPDAU               | Level-1-260C-UNLIM   | -40 to 85    | LC139A                  | <a href="#">Samples</a> |
| SN74LVC139ADR    | ACTIVE        | SOIC                       | D                  | 16   | 2500           | Green (RoHS<br>& no Sb/Br) | CU NIPDAU               | Level-1-260C-UNLIM   | -40 to 85    | LVC139A                 | <a href="#">Samples</a> |
| SN74LVC139ADRG4  | ACTIVE        | SOIC                       | D                  | 16   | 2500           | Green (RoHS<br>& no Sb/Br) | CU NIPDAU               | Level-1-260C-UNLIM   | -40 to 85    | LVC139A                 | <a href="#">Samples</a> |
| SN74LVC139ADT    | ACTIVE        | SOIC                       | D                  | 16   | 250            | Green (RoHS<br>& no Sb/Br) | CU NIPDAU               | Level-1-260C-UNLIM   | -40 to 85    | LVC139A                 | <a href="#">Samples</a> |
| SN74LVC139AGQNR  | OBSOLETE      | BGA<br>MICROSTAR<br>JUNIOR | GQN                | 20   |                | TBD                        | Call TI                 | Call TI              | -40 to 85    | LC139A                  |                         |
| SN74LVC139ANSR   | ACTIVE        | SO                         | NS                 | 16   | 2000           | Green (RoHS<br>& no Sb/Br) | CU NIPDAU               | Level-1-260C-UNLIM   | -40 to 85    | LVC139A                 | <a href="#">Samples</a> |
| SN74LVC139APW    | ACTIVE        | TSSOP                      | PW                 | 16   | 90             | Green (RoHS<br>& no Sb/Br) | CU NIPDAU               | Level-1-260C-UNLIM   | -40 to 85    | LC139A                  | <a href="#">Samples</a> |
| SN74LVC139APWE4  | ACTIVE        | TSSOP                      | PW                 | 16   | 90             | Green (RoHS<br>& no Sb/Br) | CU NIPDAU               | Level-1-260C-UNLIM   | -40 to 85    | LC139A                  | <a href="#">Samples</a> |
| SN74LVC139APWG4  | ACTIVE        | TSSOP                      | PW                 | 16   | 90             | Green (RoHS<br>& no Sb/Br) | CU NIPDAU               | Level-1-260C-UNLIM   | -40 to 85    | LC139A                  | <a href="#">Samples</a> |
| SN74LVC139APWLE  | OBSOLETE      | TSSOP                      | PW                 | 16   |                | TBD                        | Call TI                 | Call TI              | -40 to 85    |                         |                         |
| SN74LVC139APWR   | ACTIVE        | TSSOP                      | PW                 | 16   | 2000           | Green (RoHS<br>& no Sb/Br) | CU NIPDAU   CU SN       | Level-1-260C-UNLIM   | -40 to 85    | LC139A                  | <a href="#">Samples</a> |
| SN74LVC139APWRE4 | ACTIVE        | TSSOP                      | PW                 | 16   | 2000           | Green (RoHS<br>& no Sb/Br) | CU NIPDAU               | Level-1-260C-UNLIM   | -40 to 85    | LC139A                  | <a href="#">Samples</a> |

| Orderable Device | Status<br>(1) | Package Type               | Package Drawing | Pins | Package Qty | Eco Plan<br>(2)         | Lead/Ball Finish<br>(6) | MSL Peak Temp<br>(3) | Op Temp (°C) | Device Marking<br>(4/5) | Samples                 |
|------------------|---------------|----------------------------|-----------------|------|-------------|-------------------------|-------------------------|----------------------|--------------|-------------------------|-------------------------|
| SN74LVC139APWRG4 | ACTIVE        | TSSOP                      | PW              | 16   | 2000        | Green (RoHS & no Sb/Br) | CU NIPDAU               | Level-1-260C-UNLIM   | -40 to 85    | LC139A                  | <a href="#">Samples</a> |
| SN74LVC139APWT   | ACTIVE        | TSSOP                      | PW              | 16   | 250         | Green (RoHS & no Sb/Br) | CU NIPDAU               | Level-1-260C-UNLIM   | -40 to 85    | LC139A                  | <a href="#">Samples</a> |
| SN74LVC139ARGYR  | ACTIVE        | VQFN                       | RGY             | 16   | 3000        | Green (RoHS & no Sb/Br) | CU NIPDAU               | Level-2-260C-1 YEAR  | -40 to 85    | LC139A                  | <a href="#">Samples</a> |
| SN74LVC139AZQNR  | ACTIVE        | BGA<br>MICROSTAR<br>JUNIOR | ZQN             | 20   | 1000        | Green (RoHS & no Sb/Br) | SNAGCU                  | Level-1-260C-UNLIM   | -40 to 85    | LC139A                  | <a href="#">Samples</a> |

(1) The marketing status values are defined as follows:

**ACTIVE:** Product device recommended for new designs.

**LIFEBUY:** TI has announced that the device will be discontinued, and a lifetime-buy period is in effect.

**NRND:** Not recommended for new designs. Device is in production to support existing customers, but TI does not recommend using this part in a new design.

**PREVIEW:** Device has been announced but is not in production. Samples may or may not be available.

**OBSELETE:** TI has discontinued the production of the device.

(2) Eco Plan - The planned eco-friendly classification: Pb-Free (RoHS), Pb-Free (RoHS Exempt), or Green (RoHS & no Sb/Br) - please check <http://www.ti.com/productcontent> for the latest availability information and additional product content details.

**TBD:** The Pb-Free/Green conversion plan has not been defined.

**Pb-Free (RoHS):** TI's terms "Lead-Free" or "Pb-Free" mean semiconductor products that are compatible with the current RoHS requirements for all 6 substances, including the requirement that lead not exceed 0.1% by weight in homogeneous materials. Where designed to be soldered at high temperatures, TI Pb-Free products are suitable for use in specified lead-free processes.

**Pb-Free (RoHS Exempt):** This component has a RoHS exemption for either 1) lead-based flip-chip solder bumps used between the die and package, or 2) lead-based die adhesive used between the die and leadframe. The component is otherwise considered Pb-Free (RoHS compatible) as defined above.

**Green (RoHS & no Sb/Br):** TI defines "Green" to mean Pb-Free (RoHS compatible), and free of Bromine (Br) and Antimony (Sb) based flame retardants (Br or Sb do not exceed 0.1% by weight in homogeneous material)

(3) MSL, Peak Temp. - The Moisture Sensitivity Level rating according to the JEDEC industry standard classifications, and peak solder temperature.

(4) There may be additional marking, which relates to the logo, the lot trace code information, or the environmental category on the device.

(5) Multiple Device Markings will be inside parentheses. Only one Device Marking contained in parentheses and separated by a "~" will appear on a device. If a line is indented then it is a continuation of the previous line and the two combined represent the entire Device Marking for that device.

(6) Lead/Ball Finish - Orderable Devices may have multiple material finish options. Finish options are separated by a vertical ruled line. Lead/Ball Finish values may wrap to two lines if the finish value exceeds the maximum column width.

**Important Information and Disclaimer:** The information provided on this page represents TI's knowledge and belief as of the date that it is provided. TI bases its knowledge and belief on information provided by third parties, and makes no representation or warranty as to the accuracy of such information. Efforts are underway to better integrate information from third parties. TI has taken and continues to take reasonable steps to provide representative and accurate information but may not have conducted destructive testing or chemical analysis on incoming materials and chemicals. TI and TI suppliers consider certain information to be proprietary, and thus CAS numbers and other limited information may not be available for release.

In no event shall TI's liability arising out of such information exceed the total purchase price of the TI part(s) at issue in this document sold by TI to Customer on an annual basis.

**OTHER QUALIFIED VERSIONS OF SN74LVC139A :**

- Automotive: [SN74LVC139A-Q1](#)

NOTE: Qualified Version Definitions:

- Automotive - Q100 devices qualified for high-reliability automotive applications targeting zero defects



**TAPE AND REEL INFORMATION**

**QUADRANT ASSIGNMENTS FOR PIN 1 ORIENTATION IN TAPE**


\*All dimensions are nominal

| Device           | Package Type         | Package Drawing | Pins | SPQ  | Reel Diameter (mm) | Reel Width W1 (mm) | A0 (mm) | B0 (mm) | K0 (mm) | P1 (mm) | W (mm) | Pin1 Quadrant |
|------------------|----------------------|-----------------|------|------|--------------------|--------------------|---------|---------|---------|---------|--------|---------------|
| SN74LVC139ADBR   | SSOP                 | DB              | 16   | 2000 | 330.0              | 16.4               | 8.2     | 6.6     | 2.5     | 12.0    | 16.0   | Q1            |
| SN74LVC139ADGVR  | TVSOP                | DGV             | 16   | 2000 | 330.0              | 12.4               | 6.8     | 4.0     | 1.6     | 8.0     | 12.0   | Q1            |
| SN74LVC139ADR    | SOIC                 | D               | 16   | 2500 | 330.0              | 16.4               | 6.5     | 10.3    | 2.1     | 8.0     | 16.0   | Q1            |
| SN74LVC139ANSR   | SO                   | NS              | 16   | 2000 | 330.0              | 16.4               | 8.2     | 10.5    | 2.5     | 12.0    | 16.0   | Q1            |
| SN74LVC139APWR   | TSSOP                | PW              | 16   | 2000 | 330.0              | 12.4               | 6.9     | 5.6     | 1.6     | 8.0     | 12.0   | Q1            |
| SN74LVC139APWR   | TSSOP                | PW              | 16   | 2000 | 330.0              | 12.4               | 6.9     | 5.6     | 1.6     | 8.0     | 12.0   | Q1            |
| SN74LVC139APWRG4 | TSSOP                | PW              | 16   | 2000 | 330.0              | 12.4               | 6.9     | 5.6     | 1.6     | 8.0     | 12.0   | Q1            |
| SN74LVC139APWT   | TSSOP                | PW              | 16   | 250  | 330.0              | 12.4               | 6.9     | 5.6     | 1.6     | 8.0     | 12.0   | Q1            |
| SN74LVC139ARGYR  | VQFN                 | RGY             | 16   | 3000 | 330.0              | 12.4               | 3.8     | 4.3     | 1.5     | 8.0     | 12.0   | Q1            |
| SN74LVC139AZQNR  | BGA MICROSTAR JUNIOR | ZQN             | 20   | 1000 | 330.0              | 12.4               | 3.3     | 4.3     | 1.6     | 8.0     | 12.0   | Q1            |

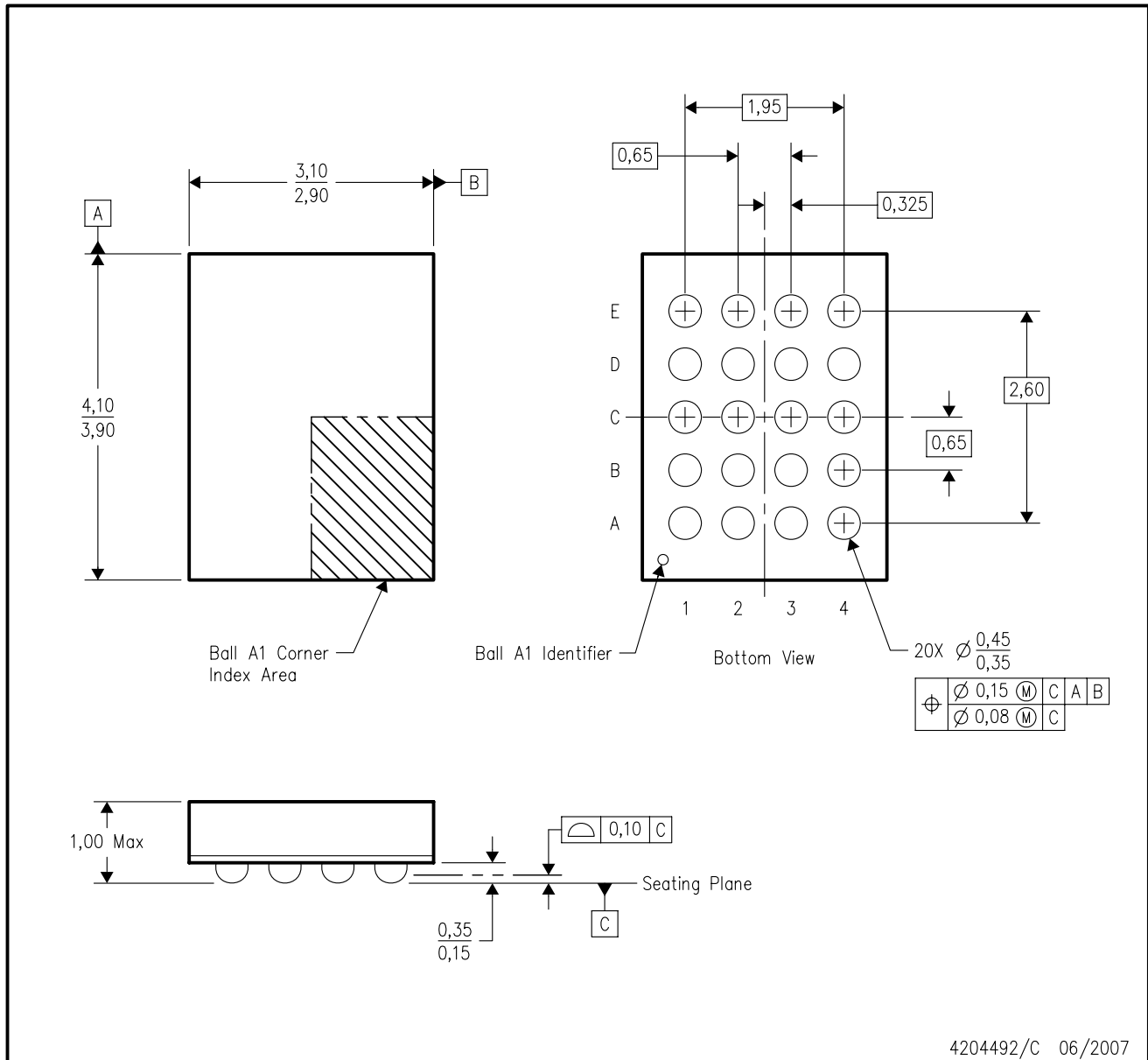
**TAPE AND REEL BOX DIMENSIONS**


\*All dimensions are nominal

| Device           | Package Type         | Package Drawing | Pins | SPQ  | Length (mm) | Width (mm) | Height (mm) |
|------------------|----------------------|-----------------|------|------|-------------|------------|-------------|
| SN74LVC139ADBR   | SSOP                 | DB              | 16   | 2000 | 367.0       | 367.0      | 38.0        |
| SN74LVC139ADGVR  | TVSOP                | DGV             | 16   | 2000 | 367.0       | 367.0      | 35.0        |
| SN74LVC139ADR    | SOIC                 | D               | 16   | 2500 | 333.2       | 345.9      | 28.6        |
| SN74LVC139ANSR   | SO                   | NS              | 16   | 2000 | 367.0       | 367.0      | 38.0        |
| SN74LVC139APWR   | TSSOP                | PW              | 16   | 2000 | 364.0       | 364.0      | 27.0        |
| SN74LVC139APWR   | TSSOP                | PW              | 16   | 2000 | 367.0       | 367.0      | 35.0        |
| SN74LVC139APWRG4 | TSSOP                | PW              | 16   | 2000 | 367.0       | 367.0      | 35.0        |
| SN74LVC139APWT   | TSSOP                | PW              | 16   | 250  | 367.0       | 367.0      | 35.0        |
| SN74LVC139ARGYR  | VQFN                 | RGY             | 16   | 3000 | 367.0       | 367.0      | 35.0        |
| SN74LVC139AZQNR  | BGA MICROSTAR JUNIOR | ZQN             | 20   | 1000 | 336.6       | 336.6      | 28.6        |

ZQN (R-PBGA-N20)

PLASTIC BALL GRID ARRAY



- NOTES:
- A. All linear dimensions are in millimeters. Dimensioning and tolerancing per ASME Y14.5M-1994.
  - B. This drawing is subject to change without notice.
  - C. Falls within JEDEC MO-285 variation BC-2.
  - D. This package is lead-free. Refer to the 20 GQN package (drawing 4200704) for tin-lead (SnPb).

GQN (R-PBGA-N20)

PLASTIC BALL GRID ARRAY



- NOTES:
- A. All linear dimensions are in millimeters. Dimensioning and tolerancing per ASME Y14.5M-1994.
  - B. This drawing is subject to change without notice.
  - C. Falls within JEDEC MO-285 variation BC-2.
  - D. This package is tin-lead (SnPb). Refer to the 20 ZQN package (drawing 4204492) for lead-free.

D (R-PDSO-G16)

PLASTIC SMALL OUTLINE



- NOTES:
- A. All linear dimensions are in inches (millimeters).
  - B. This drawing is subject to change without notice.
  - C. Body length does not include mold flash, protrusions, or gate burrs. Mold flash, protrusions, or gate burrs shall not exceed 0.006 (0,15) each side.
  - D. Body width does not include interlead flash. Interlead flash shall not exceed 0.017 (0,43) each side.
  - E. Reference JEDEC MS-012 variation AC.

D (R-PDSO-G16)

PLASTIC SMALL OUTLINE



- NOTES:
- All linear dimensions are in millimeters.
  - This drawing is subject to change without notice.
  - Publication IPC-7351 is recommended for alternate designs.
  - Laser cutting apertures with trapezoidal walls and also rounding corners will offer better paste release. Customers should contact their board assembly site for stencil design recommendations. Refer to IPC-7525 for other stencil recommendations.
  - Customers should contact their board fabrication site for solder mask tolerances between and around signal pads.

# MECHANICAL DATA

NS (R-PDSO-G\*\*)

PLASTIC SMALL-OUTLINE PACKAGE

14-PINS SHOWN



- NOTES:
- A. All linear dimensions are in millimeters.
  - B. This drawing is subject to change without notice.
  - C. Body dimensions do not include mold flash or protrusion, not to exceed 0,15.

DGV (R-PDSO-G\*\*)

PLASTIC SMALL-OUTLINE

24 PINS SHOWN



- NOTES: A. All linear dimensions are in millimeters.  
 B. This drawing is subject to change without notice.  
 C. Body dimensions do not include mold flash or protrusion, not to exceed 0,15 per side.  
 D. Falls within JEDEC: 24/48 Pins – MO-153  
 14/16/20/56 Pins – MO-194



PW (R-PDSO-G16)

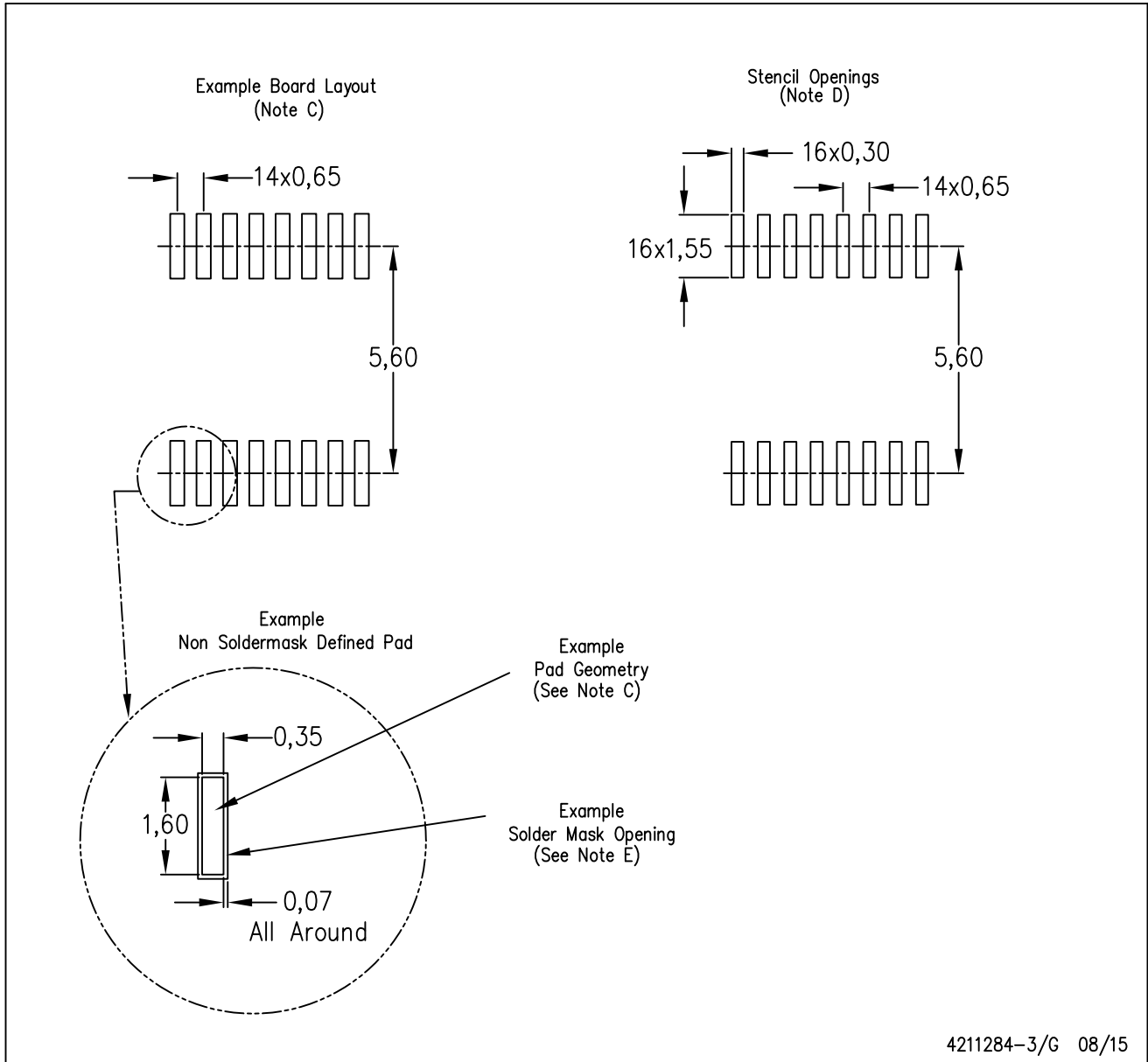
PLASTIC SMALL OUTLINE



- NOTES:
- A. All linear dimensions are in millimeters. Dimensioning and tolerancing per ASME Y14.5M-1994.
  - B. This drawing is subject to change without notice.
  - C. Body length does not include mold flash, protrusions, or gate burrs. Mold flash, protrusions, or gate burrs shall not exceed 0,15 each side.
  - D. Body width does not include interlead flash. Interlead flash shall not exceed 0,25 each side.
  - E. Falls within JEDEC MO-153

PW (R-PDSO-G16)

PLASTIC SMALL OUTLINE

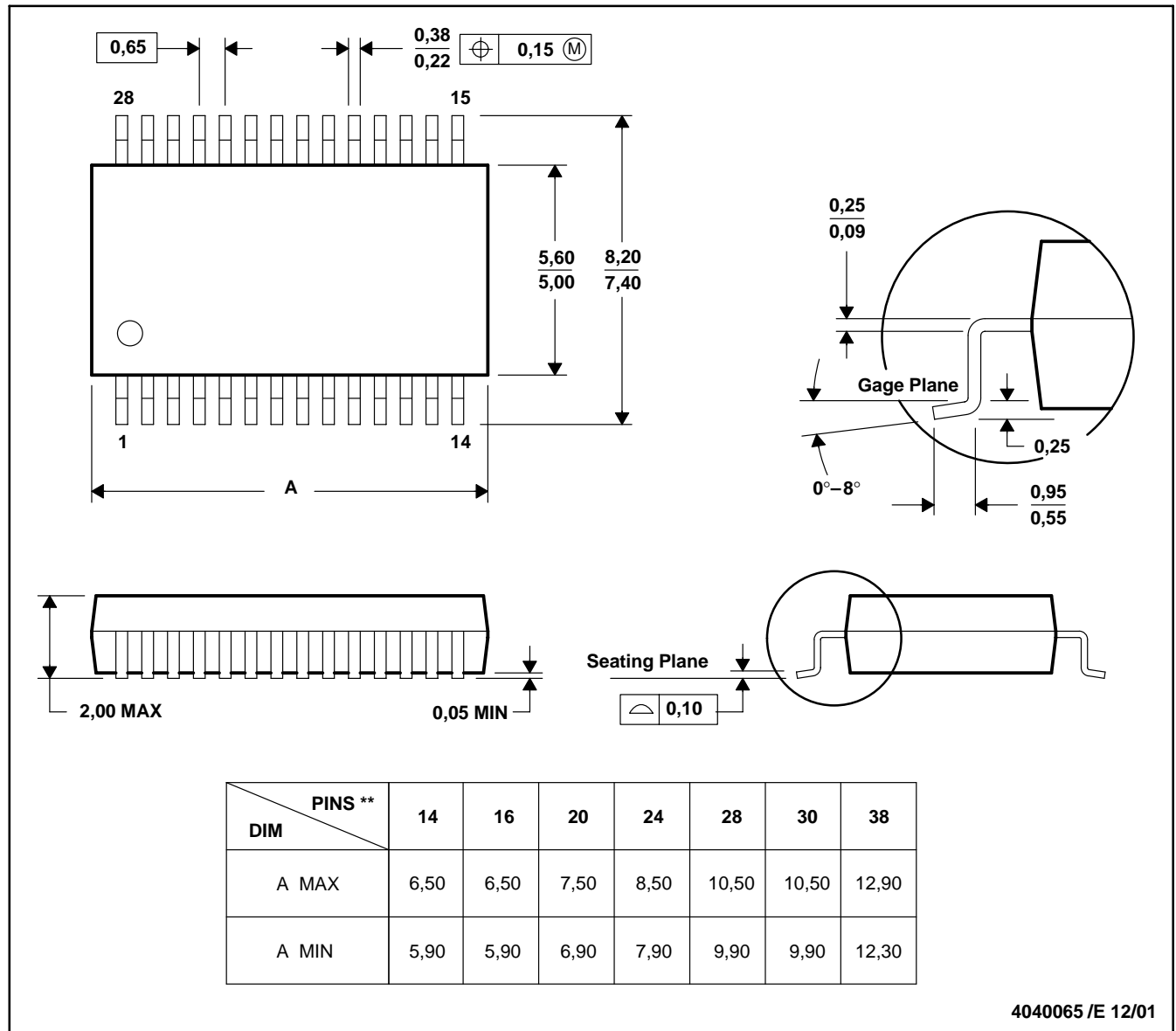


- NOTES:
- All linear dimensions are in millimeters.
  - This drawing is subject to change without notice.
  - Publication IPC-7351 is recommended for alternate designs.
  - Laser cutting apertures with trapezoidal walls and also rounding corners will offer better paste release. Customers should contact their board assembly site for stencil design recommendations. Refer to IPC-7525 for other stencil recommendations.
  - Customers should contact their board fabrication site for solder mask tolerances between and around signal pads.

DB (R-PDSO-G\*\*)

PLASTIC SMALL-OUTLINE

28 PINS SHOWN



- NOTES: A. All linear dimensions are in millimeters.  
 B. This drawing is subject to change without notice.  
 C. Body dimensions do not include mold flash or protrusion not to exceed 0,15.  
 D. Falls within JEDEC MO-150

RGY (R-PVQFN-N16)

PLASTIC QUAD FLATPACK NO-LEAD



- NOTES:
- A. All linear dimensions are in millimeters. Dimensioning and tolerancing per ASME Y14.5M-1994.
  - B. This drawing is subject to change without notice.
  - C. QFN (Quad Flatpack No-Lead) package configuration.
  - D. The package thermal pad must be soldered to the board for thermal and mechanical performance.
  - E. See the additional figure in the Product Data Sheet for details regarding the exposed thermal pad features and dimensions.
  - F. Pin 1 identifiers are located on both top and bottom of the package and within the zone indicated. The Pin 1 identifiers are either a molded, marked, or metal feature.
  - G. Package complies to JEDEC MO-241 variation BA.

RGY (R-PVQFN-N16)

PLASTIC QUAD FLATPACK NO-LEAD

**THERMAL INFORMATION**

This package incorporates an exposed thermal pad that is designed to be attached directly to an external heatsink. The thermal pad must be soldered directly to the printed circuit board (PCB). After soldering, the PCB can be used as a heatsink. In addition, through the use of thermal vias, the thermal pad can be attached directly to the appropriate copper plane shown in the electrical schematic for the device, or alternatively, can be attached to a special heatsink structure designed into the PCB. This design optimizes the heat transfer from the integrated circuit (IC).

For information on the Quad Flatpack No-Lead (QFN) package and its advantages, refer to Application Report, QFN/SON PCB Attachment, Texas Instruments Literature No. SLUA271. This document is available at [www.ti.com](http://www.ti.com).

The exposed thermal pad dimensions for this package are shown in the following illustration.



Bottom View

Exposed Thermal Pad Dimensions

4206353-3/P 03/14

NOTE: All linear dimensions are in millimeters

RGY (R-PVQFN-N16)

PLASTIC QUAD FLATPACK NO-LEAD



4208122-3/P 03/14

- NOTES:
- A. All linear dimensions are in millimeters.
  - B. This drawing is subject to change without notice.
  - C. Publication IPC-7351 is recommended for alternate designs.
  - D. This package is designed to be soldered to a thermal pad on the board. Refer to Application Note, Quad Flat-Pack QFN/SON PCB Attachment, Texas Instruments Literature No. SLUA271, and also the Product Data Sheets for specific thermal information, via requirements, and recommended board layout. These documents are available at [www.ti.com](http://www.ti.com) <<http://www.ti.com>>.
  - E. Laser cutting apertures with trapezoidal walls and also rounding corners will offer better paste release. Customers should contact their board assembly site for stencil design recommendations. Refer to IPC 7525 for stencil design considerations.
  - F. Customers should contact their board fabrication site for minimum solder mask web tolerances between signal pads.

## IMPORTANT NOTICE

Texas Instruments Incorporated and its subsidiaries (TI) reserve the right to make corrections, enhancements, improvements and other changes to its semiconductor products and services per JESD46, latest issue, and to discontinue any product or service per JESD48, latest issue. Buyers should obtain the latest relevant information before placing orders and should verify that such information is current and complete. All semiconductor products (also referred to herein as "components") are sold subject to TI's terms and conditions of sale supplied at the time of order acknowledgment.

TI warrants performance of its components to the specifications applicable at the time of sale, in accordance with the warranty in TI's terms and conditions of sale of semiconductor products. Testing and other quality control techniques are used to the extent TI deems necessary to support this warranty. Except where mandated by applicable law, testing of all parameters of each component is not necessarily performed.

TI assumes no liability for applications assistance or the design of Buyers' products. Buyers are responsible for their products and applications using TI components. To minimize the risks associated with Buyers' products and applications, Buyers should provide adequate design and operating safeguards.

TI does not warrant or represent that any license, either express or implied, is granted under any patent right, copyright, mask work right, or other intellectual property right relating to any combination, machine, or process in which TI components or services are used. Information published by TI regarding third-party products or services does not constitute a license to use such products or services or a warranty or endorsement thereof. Use of such information may require a license from a third party under the patents or other intellectual property of the third party, or a license from TI under the patents or other intellectual property of TI.

Reproduction of significant portions of TI information in TI data books or data sheets is permissible only if reproduction is without alteration and is accompanied by all associated warranties, conditions, limitations, and notices. TI is not responsible or liable for such altered documentation. Information of third parties may be subject to additional restrictions.

Resale of TI components or services with statements different from or beyond the parameters stated by TI for that component or service voids all express and any implied warranties for the associated TI component or service and is an unfair and deceptive business practice. TI is not responsible or liable for any such statements.

Buyer acknowledges and agrees that it is solely responsible for compliance with all legal, regulatory and safety-related requirements concerning its products, and any use of TI components in its applications, notwithstanding any applications-related information or support that may be provided by TI. Buyer represents and agrees that it has all the necessary expertise to create and implement safeguards which anticipate dangerous consequences of failures, monitor failures and their consequences, lessen the likelihood of failures that might cause harm and take appropriate remedial actions. Buyer will fully indemnify TI and its representatives against any damages arising out of the use of any TI components in safety-critical applications.

In some cases, TI components may be promoted specifically to facilitate safety-related applications. With such components, TI's goal is to help enable customers to design and create their own end-product solutions that meet applicable functional safety standards and requirements. Nonetheless, such components are subject to these terms.

No TI components are authorized for use in FDA Class III (or similar life-critical medical equipment) unless authorized officers of the parties have executed a special agreement specifically governing such use.

Only those TI components which TI has specifically designated as military grade or "enhanced plastic" are designed and intended for use in military/aerospace applications or environments. Buyer acknowledges and agrees that any military or aerospace use of TI components which have **not** been so designated is solely at the Buyer's risk, and that Buyer is solely responsible for compliance with all legal and regulatory requirements in connection with such use.

TI has specifically designated certain components as meeting ISO/TS16949 requirements, mainly for automotive use. In any case of use of non-designated products, TI will not be responsible for any failure to meet ISO/TS16949.

### Products

|                              |  |
|------------------------------|--|
| Audio                        | <a href="http://www.ti.com/audio">www.ti.com/audio</a>                               |
| Amplifiers                   | <a href="http://amplifier.ti.com">amplifier.ti.com</a>                               |
| Data Converters              | <a href="http://dataconverter.ti.com">dataconverter.ti.com</a>                       |
| DLP® Products                | <a href="http://www.dlp.com">www.dlp.com</a>   |
| DSP                          | <a href="http://dsp.ti.com">dsp.ti.com</a>   |
| Clocks and Timers            | <a href="http://www.ti.com/clocks">www.ti.com/clocks</a>                             |
| Interface                    | <a href="http://interface.ti.com">interface.ti.com</a>                               |
| Logic                        | <a href="http://logic.ti.com">logic.ti.com</a>                                       |
| Power Mgmt                   | <a href="http://power.ti.com">power.ti.com</a>                                       |
| Microcontrollers             | <a href="http://microcontroller.ti.com">microcontroller.ti.com</a>                   |
| RFID                         | <a href="http://www.ti-rfid.com">www.ti-rfid.com</a>                                 |
| OMAP Applications Processors | <a href="http://www.ti.com/omap">www.ti.com/omap</a>                                 |
| Wireless Connectivity        | <a href="http://www.ti.com/wirelessconnectivity">www.ti.com/wirelessconnectivity</a> |

### Applications

|                               |  |
|-------------------------------|--|
| Automotive and Transportation | <a href="http://www.ti.com/automotive">www.ti.com/automotive</a>                         |
| Communications and Telecom    | <a href="http://www.ti.com/communications">www.ti.com/communications</a>                 |
| Computers and Peripherals     | <a href="http://www.ti.com/computers">www.ti.com/computers</a>                           |
| Consumer Electronics          | <a href="http://www.ti.com/consumer-apps">www.ti.com/consumer-apps</a>                   |
| Energy and Lighting           | <a href="http://www.ti.com/energy">www.ti.com/energy</a>                                 |
| Industrial                    | <a href="http://www.ti.com/industrial">www.ti.com/industrial</a>                         |
| Medical                       | <a href="http://www.ti.com/medical">www.ti.com/medical</a>                               |
| Security                      | <a href="http://www.ti.com/security">www.ti.com/security</a>                             |
| Space, Avionics and Defense   | <a href="http://www.ti.com/space-avionics-defense">www.ti.com/space-avionics-defense</a> |
| Video and Imaging             | <a href="http://www.ti.com/video">www.ti.com/video</a>                                   |

### TI E2E Community

[e2e.ti.com](http://e2e.ti.com)