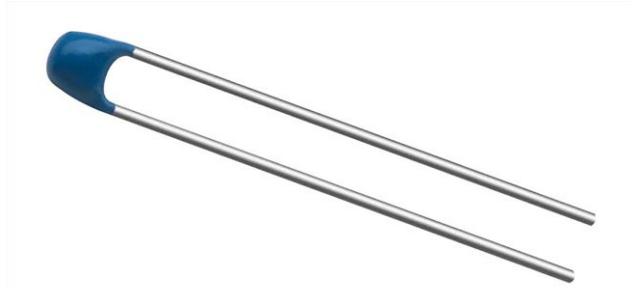


NTC Thermistors, 2-Point Radial Leaded, Automotive Grade



FEATURES

- High accuracy over a wide temperature range
- High stability over a long life
- Exceptional thermal shock withstanding performance
- AEC-Q200 qualified
- Fulfills the ELV 2000/53/EC
- Material categorization: for definitions of compliance please see www.vishay.com/doc?99912

 AUTOMOTIVE
GRADE

RoHS
COMPLIANT

APPLICATIONS

- Temperature measurement, sensing and control, temperature compensation in Automotive and Industrial applications
- Applications as EGR, ECT, IAT, and TMAP sensors

DESCRIPTION

These thermistors consist of a NTC ceramic chip with two solid Tin plated Nickel leads. The thermistor body is coated with a blue insulating lacquer.

PACKAGING

The thermistors are packed in bulk (quantity = 500 pieces). Tape and reel available on request.

DESIGN-IN SUPPORT

$R_{(T)}$ table spreadsheet available on request at nlr@vishay.com. Accuracy over the whole temperature range, see at the resistance vs. temperature tables.

MOUNTING

By soldering or welding in any position. The thermistors are fully suitable to be potted in epoxy or silicon resins.

QUICK REFERENCE DATA		
PARAMETER	VALUE	UNIT
Resistance value at 25 °C	2.06K to 30K	Ω
Tolerance on R_{25} -value	± 1.93 to ± 2.20	%
$B_{25/85}$ -value	3528 to 4090	K
Tolerance on $B_{25/85}$ -value	± 0.5 to ± 0.75	%
Operating temperature range	-55 to 150	°C
Temperature accuracy between 25 °C and 85 °C measurement	± 0.5	°C
Maximum dissipation	100	mW
Response time (in stirred air)	7	s
Climatic category (LCT / UCT / days)	55 / 150 / 56	
Minimum dielectric withstanding voltage (tested according to IEC 60539 §4.7.2 method 1)	500	V_{RMS}
Weight	0.1	g

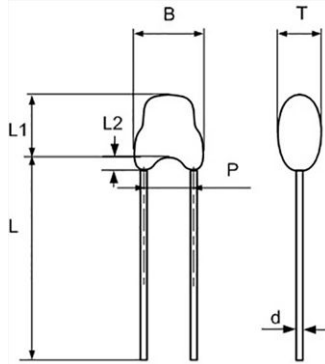
ELECTRICAL DATA AND ORDERING INFORMATION							
SAP MATERIAL AND ORDERING NUMBER	OLD 12NC CODE	R at 25 °C (Ω)	α at 25 °C (%/K)	R_{25} Tol. (\pm %)	$B_{25/85}$ (K)	$B_{25/85}$ Tol. (\pm %)	$\Delta T_{max.}^{(1)}$ 25 °C to 85 °C (\pm °C)
NTCLE203E3202SB0	2381 640 20202	2060	3.86	1.93	3528	0.50	0.5
NTCLE203E3222SB0	2381 640 20222	2252	4.39	2.20	3984	0.50	0.5
NTCLE203E3272SB0	2381 640 20272	2780	4.51	2.20	4090	0.75	0.5
NTCLE203E3302SB0	2381 640 20302	3000	4.39	2.20	3984	0.50	0.5
NTCLE203E3502SB0	2381 640 20502	5000	4.39	2.20	3984	0.50	0.5
NTCLE203E3103SB0	2381 640 20103	10 000	4.39	2.20	3984	0.50	0.5
NTCLE203E3303SB0	2381 640 20303	30 000	4.30	2.20	3935	0.75	0.5

Note

⁽¹⁾ ΔT is the temperature measurement accuracy in the defined temperature range.



DIMENSIONS in millimeters



B	4.2 max.
d	0.5 ± 0.05
L	41 ± 1
L ₁	6.0 max.
L ₂	2.0 ± 1.0
F	2.54
T	4.0 max.

RESISTANCE VALUES AT INTERMEDIATE TEMPERATURES WITH R₂₅ AT 2060 Ω

PART NUMBER: NTCLE203E3202SB0

TEMP. (°C)	RESISTANCE (Ω)	R/R ₂₅	ΔR/R (%)	α (%/K)	ΔT _{MAX.} (± °C)	R _{MIN.} (Ω)	R _{MAX.} (Ω)
-55.0	126 160	61.243	4.14	-6.82	0.61	120 931	131 389
-50.0	90 317	43.843	3.96	-6.55	0.60	86 740	93 893
-45.0	65 498	31.795	3.78	-6.30	0.60	63 020	67 976
-40.0	48 085	23.342	3.61	-6.06	0.60	46 347	49 823
-35.0	35 712	17.336	3.45	-5.84	0.59	34 479	36 945
-30.0	26 816	13.018	3.30	-5.62	0.59	25 932	27 700
-25.0	20 347	9.8772	3.15	-5.42	0.58	19 706	20 988
-20.0	15 592	7.5688	3.01	-5.23	0.57	15 123	16 060
-15.0	12 060	5.8546	2.87	-5.05	0.57	11 715	12 406
-10.0	9412.5	4.5692	2.74	-4.87	0.56	9155.1	9670.0
-5.0	7408.5	3.5963	2.61	-4.71	0.55	7215.3	7601.7
0.0	5878.3	2.8536	2.49	-4.55	0.55	5732.2	6024.4
5.0	4700.2	2.2816	2.37	-4.40	0.54	4588.9	4811.4
10.0	3785.7	1.8377	2.25	-4.26	0.53	3700.4	3871.0
15.0	3070.5	1.4905	2.14	-4.12	0.52	3004.7	3136.3
20.0	2507.0	1.2170	2.04	-3.99	0.51	2456.0	2558.1
25.0	2060.0	1.0000	1.93	-3.87	0.50	2020.2	2099.8
30.0	1702.9	0.82666	1.87	-3.75	0.50	1671.0	1734.8
35.0	1416.0	0.68736	1.82	-3.64	0.50	1390.2	1441.7
40.0	1183.7	0.57461	1.77	-3.53	0.50	1162.8	1204.6
45.0	994.40	0.48272	1.72	-3.44	0.50	977.30	1011.5
50.0	839.19	0.40737	1.68	-3.35	0.50	825.13	853.25
55.0	711.20	0.34524	1.63	-3.27	0.50	699.57	722.83
60.0	605.10	0.29374	1.60	-3.19	0.50	595.44	614.76
65.0	516.72	0.25083	1.56	-3.12	0.50	508.65	524.78
70.0	442.75	0.21493	1.53	-3.06	0.50	435.99	449.52
75.0	380.60	0.18476	1.50	-2.99	0.50	374.90	386.30
80.0	328.16	0.15930	1.47	-2.94	0.50	323.34	332.98
85.0	283.76	0.13775	1.44	-2.88	0.50	279.67	287.84
90.0	246.02	0.11943	1.44	-2.83	0.51	242.49	249.55
95.0	213.85	0.10381	1.50	-2.78	0.54	210.64	217.07
100.0	186.34	0.090458	1.57	-2.73	0.57	183.42	189.26
105.0	162.75	0.079005	1.63	-2.68	0.61	160.10	165.40
110.0	142.46	0.069155	1.69	-2.64	0.64	140.05	144.87
115.0	124.96	0.060662	1.75	-2.60	0.67	122.77	127.15
120.0	109.84	0.053321	1.81	-2.56	0.71	107.85	111.83
125.0	96.737	0.046960	1.87	-2.52	0.74	94.930	98.545
130.0	85.358	0.041436	1.92	-2.48	0.77	83.715	87.000
135.0	75.454	0.036628	1.98	-2.45	0.81	73.961	76.947
140.0	66.817	0.032436	2.03	-2.41	0.84	65.460	68.175
145.0	59.269	0.028772	2.08	-2.38	0.88	58.035	60.504
150.0	52.661	0.025564	2.13	-2.35	0.91	51.537	53.785



RESISTANCE VALUES AT INTERMEDIATE TEMPERATURES WITH R₂₅ AT 2252 Ω, 3 kΩ, 5 kΩ AND 10 kΩ

TEMP. (°C)	PART NUMBER NTCLE203E3222SB0	PART NUMBER NTCLE203E3302SB	PART NUMBER NTCLE203E3502SB0	PART NUMBER NTCLE203E3103SB0	R/R ₂₅	ΔR/R (%)	α (%/K)	ΔT (K)
	RESISTANCE (Ω)	RESISTANCE (Ω)	RESISTANCE (Ω)	RESISTANCE (Ω)				
-55.0	214 790	286 132	476 887	953 774	95.377	4.70	-7.37	0.64
-50.0	149 571	199 251	332 085	664 169	66.417	4.49	-7.11	0.63
-45.0	105 475	140 509	234 182	468 363	46.836	4.29	-6.86	0.62
-40.0	75 279	100 282	167 137	334 274	33.427	4.10	-6.63	0.62
-35.0	54 346	72 397	120 661	241 323	24.132	3.91	-6.41	0.61
-30.0	39 665	52 840	88 066	176 133	17.613	3.74	-6.19	0.60
-25.0	29 253	38 970	64 950	129 900	12.9900	3.57	-5.99	0.60
-20.0	21 791	29 028	48 381	96 761	9.6761	3.41	-5.79	0.59
-15.0	16 387	21 829	36 382	72 765	7.2765	3.25	-5.61	0.58
-10.0	12 435	16 565	27 609	55 218	5.5218	3.10	-5.43	0.57
-5.0	9518.7	12 680	21 134	42 268	4.2268	2.96	-5.26	0.56
0.0	7347.0	9787.3	16 312	32 624	3.2624	2.82	-5.10	0.55
5.0	5715.9	7614.4	12 691	25 381	2.5381	2.68	-4.94	0.54
10.0	4480.8	5969.1	9948.4	19 897	1.9897	2.55	-4.80	0.53
15.0	3538.2	4713.4	7855.6	15 711	1.5711	2.43	-4.65	0.52
20.0	2813.4	3747.8	6246.4	12 493	1.2493	2.31	-4.52	0.51
25.0	2252.0	3000.0	5000.0	10 000	1.0000	2.19	-4.39	0.50
30.0	1814.2	2416.8	4028.0	8056.0	0.80560	2.13	-4.26	0.50
35.0	1470.5	1958.9	3264.9	6529.7	0.65297	2.07	-4.14	0.50
40.0	1198.9	1597.2	2661.9	5323.9	0.53239	2.01	-4.03	0.50
45.0	983.06	1309.6	2182.6	4365.3	0.43653	1.96	-3.92	0.50
50.0	810.43	1079.6	1799.4	3598.7	0.35987	1.90	-3.81	0.50
55.0	671.61	894.68	1491.1	2982.3	0.29823	1.85	-3.71	0.50
60.0	559.36	745.14	1241.9	2483.8	0.24838	1.80	-3.61	0.50
65.0	468.11	623.60	1039.3	2078.7	0.20787	1.76	-3.51	0.50
70.0	393.57	524.30	873.83	1747.7	0.17477	1.71	-3.42	0.50
75.0	332.38	442.78	737.96	1475.9	0.14759	1.67	-3.34	0.50
80.0	281.91	375.54	625.90	1251.8	0.12518	1.63	-3.25	0.50
85.0	240.09	319.83	533.05	1066.1	0.10661	1.59	-3.17	0.50
90.0	205.29	273.48	455.79	911.59	0.091159	1.66	-3.09	0.54
95.0	176.21	234.74	391.23	782.46	0.078246	1.74	-3.02	0.58
100.0	151.81	202.23	337.06	674.11	0.067411	1.81	-2.94	0.62
105.0	131.26	174.85	291.42	582.84	0.058284	1.88	-2.87	0.66
110.0	113.88	151.70	252.84	505.68	0.050568	1.95	-2.81	0.70
115.0	99.130	132.06	220.09	440.19	0.044019	2.02	-2.74	0.74
120.0	86.569	115.32	192.21	384.41	0.038441	2.09	-2.68	0.78
125.0	75.836	101.02	168.37	336.748	0.033675	2.15	-2.62	0.82
130.0	66.632	88.764	147.94	295.881	0.029588	2.22	-2.56	0.87
135.0	58.716	78.219	130.36	260.729	0.026073	2.28	-2.50	0.91
140.0	51.886	69.120	115.20	230.400	0.023040	2.34	-2.45	0.96
145.0	45.975	61.246	102.08	204.152	0.020415	2.40	-2.39	1.00
150.0	40.845	54.411	90.685	181.370	0.018137	2.45	-2.34	1.05



RESISTANCE VALUES AT INTERMEDIATE TEMPERATURES WITH R_{25} AT 2780 Ω							
PART NUMBER: NTCLE203E3272SB0							
TEMP. (°C)	RESISTANCE (Ω)	R/R_{25}	$\Delta R/R$ (%)	α (%/K)	$\Delta T_{MAX.}$ (\pm °C)	$R_{MIN.}$ (Ω)	$R_{MAX.}$ (Ω)
-55.0	303 640	109.22	6.11	-7.57	0.81	285 073	322 207
-50.0	209 337	75.301	5.79	-7.31	0.79	197 211	221 464
-45.0	146 159	52.575	5.48	-7.06	0.78	138 143	154 176
-40.0	103 294	37.156	5.19	-6.82	0.76	97 933	108 654
-35.0	73 853	26.566	4.91	-6.60	0.74	70 228	77 477
-30.0	53 394	19.206	4.64	-6.38	0.73	50 918	55 870
-25.0	39 017	14.035	4.38	-6.17	0.71	37 309	40 724
-20.0	28 803	10.361	4.13	-5.97	0.69	27 614	29 992
-15.0	21 472	7.7237	3.89	-5.78	0.67	20 637	22 306
-10.0	16 157	5.8119	3.66	-5.60	0.65	15 566	16 748
-5.0	12 267	4.4127	3.43	-5.42	0.63	11 846	12 688
0.0	9394.1	3.3792	3.22	-5.25	0.61	9091.6	9696.6
5.0	7253.3	2.6091	3.01	-5.09	0.59	7034.7	7471.8
10.0	5644.6	2.0304	2.81	-4.94	0.57	5485.7	5803.4
15.0	4425.9	1.5921	2.62	-4.79	0.55	4309.9	4542.0
20.0	3495.6	1.2574	2.44	-4.65	0.52	3410.4	3580.7
25.0	2780.0	1.0000	2.26	-4.51	0.50	2717.3	2842.7
30.0	2225.7	0.80060	2.19	-4.38	0.50	2176.9	2274.4
35.0	1793.3	0.64506	2.13	-4.26	0.50	1755.1	1831.5
40.0	1453.8	0.52294	2.07	-4.14	0.50	1423.7	1483.8
45.0	1185.5	0.42644	2.01	-4.02	0.50	1161.6	1209.3
50.0	972.20	0.34971	1.96	-3.91	0.50	953.19	991.22
55.0	801.63	0.28836	1.90	-3.81	0.50	786.38	816.88
60.0	664.44	0.23901	1.85	-3.70	0.50	652.14	676.74
65.0	553.50	0.19910	1.80	-3.60	0.50	543.53	563.48
70.0	463.32	0.16666	1.75	-3.51	0.50	455.19	471.45
75.0	389.64	0.14016	1.71	-3.42	0.50	382.98	396.30
80.0	329.14	0.11840	1.67	-3.33	0.50	323.66	334.62
85.0	279.24	0.10045	1.62	-3.25	0.50	274.71	283.77
90.0	237.89	0.08557	1.74	-3.16	0.55	233.74	242.04
95.0	203.48	0.07319	1.86	-3.09	0.60	199.69	207.26
100.0	174.71	0.062846	1.97	-3.01	0.66	171.27	178.16
105.0	150.58	0.054164	2.08	-2.94	0.71	147.44	153.71
110.0	130.24	0.046849	2.19	-2.87	0.76	127.39	133.09
115.0	113.04	0.040662	2.30	-2.80	0.82	110.45	115.64
120.0	98.44	0.035411	2.40	-2.73	0.88	96.082	100.80
125.0	86.007	0.030938	2.50	-2.67	0.94	83.859	88.155
130.0	75.377	0.027114	2.59	-2.61	0.99	73.421	77.333
135.0	66.261	0.023835	2.69	-2.55	1.06	64.479	68.043
140.0	58.418	0.021014	2.78	-2.49	1.12	56.792	60.043
145.0	51.648	0.018578	2.87	-2.44	1.18	50.165	53.132
150.0	45.788	0.016471	2.96	-2.38	1.24	44.433	47.144



RESISTANCE VALUES AT INTERMEDIATE TEMPERATURES WITH R_{25} AT 30 k Ω							
PART NUMBER: NTCLE203E3303SB0							
TEMP. (°C)	RESISTANCE (Ω)	R/R_{25}	$\Delta R/R$ (%)	α (%/K)	$\Delta T_{MAX.}$ (\pm °C)	$R_{MIN.}$ (Ω)	$R_{MAX.}$ (Ω)
-55.0	2 557 277	85.243	5.87	-7.10	0.83	2 407 214	2 707 340
-50.0	1 803 830	60.128	5.56	-6.87	0.81	1 703 566	1 904 094
-45.0	1 286 911	42.897	5.26	-6.64	0.79	1 219 190	1 354 632
-40.0	928 204	30.940	4.98	-6.43	0.77	881 990	974 418
-35.0	676 539	22.551	4.71	-6.22	0.76	644 692	708 387
-30.0	498 097	16.603	4.45	-6.03	0.74	475 947	520 248
-25.0	370 280	12.343	4.20	-5.84	0.72	354 739	385 821
-20.0	277 825	9.2608	3.96	-5.66	0.70	266 831	288 819
-15.0	210 316	7.0105	3.73	-5.48	0.68	202 478	218 154
-10.0	160 574	5.3525	3.50	-5.31	0.66	154 947	166 202
-5.0	123 604	4.1201	3.29	-5.15	0.64	119 536	127 672
0.0	95 895	3.1965	3.09	-5.00	0.62	92 937	98 854
5.0	74 960	2.4987	2.89	-4.85	0.59	72 797	77 124
10.0	59 021	1.9674	2.70	-4.71	0.57	57 430	60 612
15.0	46 794	1.5598	2.51	-4.58	0.55	45 619	47 969
20.0	37 348	1.2449	2.33	-4.44	0.52	36 477	38 219
25.0	30 000	1.0000	2.16	-4.32	0.50	29 352	30 648
30.0	24 246	0.80821	2.10	-4.20	0.50	23 737	24 755
35.0	19 712	0.65707	2.04	-4.08	0.50	19 310	20 114
40.0	16 117	0.53723	1.99	-3.97	0.50	15 797	16 437
45.0	13 250	0.44165	1.93	-3.86	0.50	12 994	13 506
50.0	10 950	0.36499	1.88	-3.76	0.50	10 744	11 156
55.0	9094.9	0.30316	1.83	-3.66	0.50	8928.3	9261.5
60.0	7591.1	0.25304	1.78	-3.57	0.50	7455.7	7726.5
65.0	6365.6	0.21219	1.74	-3.48	0.50	6255.0	6476.3
70.0	5362.2	0.17874	1.69	-3.39	0.50	5271.3	5453.0
75.0	4536.5	0.15122	1.65	-3.30	0.50	4461.6	4611.4
80.0	3854.1	0.12847	1.61	-3.22	0.50	3792.1	3916.2
85.0	3287.6	0.10959	1.57	-3.14	0.50	3236.0	3339.2
90.0	2815.3	0.09384	1.69	-3.06	0.55	2767.9	2862.8
95.0	2419.9	0.08066	1.80	-2.99	0.60	2376.4	2463.4
100.0	2087.7	0.069588	1.91	-2.92	0.65	2047.8	2127.5
105.0	1807.3	0.060244	2.01	-2.85	0.71	1770.9	1843.7
110.0	1569.9	0.052330	2.12	-2.78	0.76	1536.7	1603.1
115.0	1368.2	0.045605	2.22	-2.72	0.82	1337.8	1398.5
120.0	1196.1	0.039870	2.32	-2.66	0.87	1168.4	1223.8
125.0	1048.9	0.034963	2.41	-2.60	0.93	1023.6	1074.2
130.0	922.52	0.030751	2.50	-2.54	0.99	899.42	945.62
135.0	813.69	0.027123	2.60	-2.48	1.05	792.57	834.81
140.0	719.69	0.023990	2.68	-2.43	1.11	700.37	739.01
145.0	638.25	0.021275	2.77	-2.38	1.17	620.56	655.94
150.0	567.50	0.018917	2.86	-2.32	1.23	551.29	583.70



RELIABILITY DATA		
TEST DENOMINATION	METHOD	$\Delta R_{25}/R_{25 \text{ max.}}^{(1)}$
High temperature storage	MIL-STD-202 method 108	± 1 %
Thermal cycling	JESD22 method JA-104	± 2 %
Operational life	MIL-STD-202 method 108	± 1 %
Soldering heat	MIL-STD-202 method 204	± 3 %
Moisture resistance	MIL-STD-202 method 106	± 1 %
Vibration	MIL-STD-202 method 204	± 1 %
Biased humidity (85 °C, 85 % RH)	MIL-STD-202 method 108	± 2 %
Thermal shock	MIL-STD-202 method 107	± 2 %
Mechanical shocks	MIL-STD-202-213	± 1 %

Note

- Valid for NTCLE203E3103SB0.



Disclaimer

ALL PRODUCT, PRODUCT SPECIFICATIONS AND DATA ARE SUBJECT TO CHANGE WITHOUT NOTICE TO IMPROVE RELIABILITY, FUNCTION OR DESIGN OR OTHERWISE.

Vishay Intertechnology, Inc., its affiliates, agents, and employees, and all persons acting on its or their behalf (collectively, "Vishay"), disclaim any and all liability for any errors, inaccuracies or incompleteness contained in any datasheet or in any other disclosure relating to any product.

Vishay makes no warranty, representation or guarantee regarding the suitability of the products for any particular purpose or the continuing production of any product. To the maximum extent permitted by applicable law, Vishay disclaims (i) any and all liability arising out of the application or use of any product, (ii) any and all liability, including without limitation special, consequential or incidental damages, and (iii) any and all implied warranties, including warranties of fitness for particular purpose, non-infringement and merchantability.

Statements regarding the suitability of products for certain types of applications are based on Vishay's knowledge of typical requirements that are often placed on Vishay products in generic applications. Such statements are not binding statements about the suitability of products for a particular application. It is the customer's responsibility to validate that a particular product with the properties described in the product specification is suitable for use in a particular application. Parameters provided in datasheets and / or specifications may vary in different applications and performance may vary over time. All operating parameters, including typical parameters, must be validated for each customer application by the customer's technical experts. Product specifications do not expand or otherwise modify Vishay's terms and conditions of purchase, including but not limited to the warranty expressed therein.

Except as expressly indicated in writing, Vishay products are not designed for use in medical, life-saving, or life-sustaining applications or for any other application in which the failure of the Vishay product could result in personal injury or death. Customers using or selling Vishay products not expressly indicated for use in such applications do so at their own risk. Please contact authorized Vishay personnel to obtain written terms and conditions regarding products designed for such applications.

No license, express or implied, by estoppel or otherwise, to any intellectual property rights is granted by this document or by any conduct of Vishay. Product names and markings noted herein may be trademarks of their respective owners.