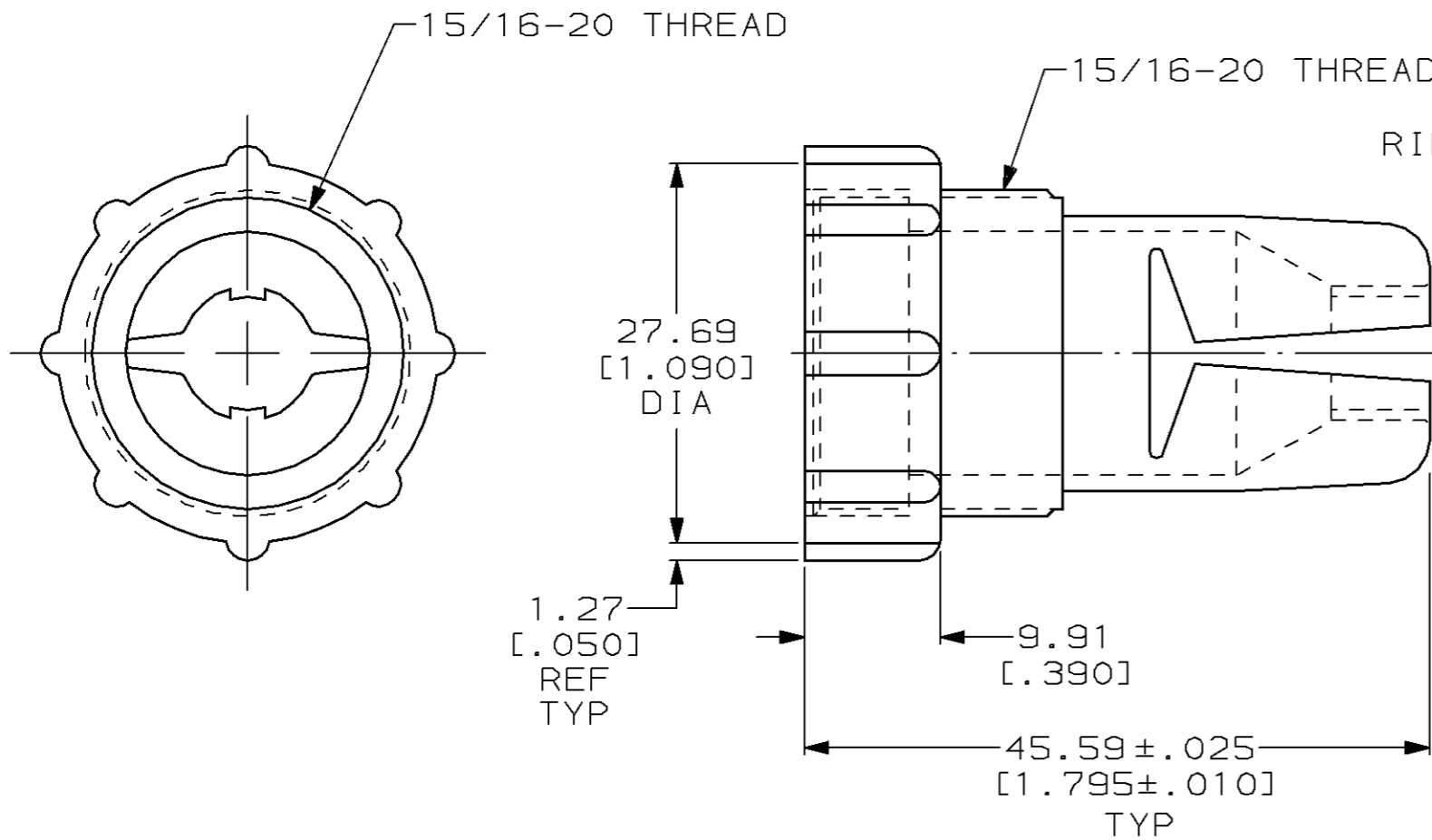
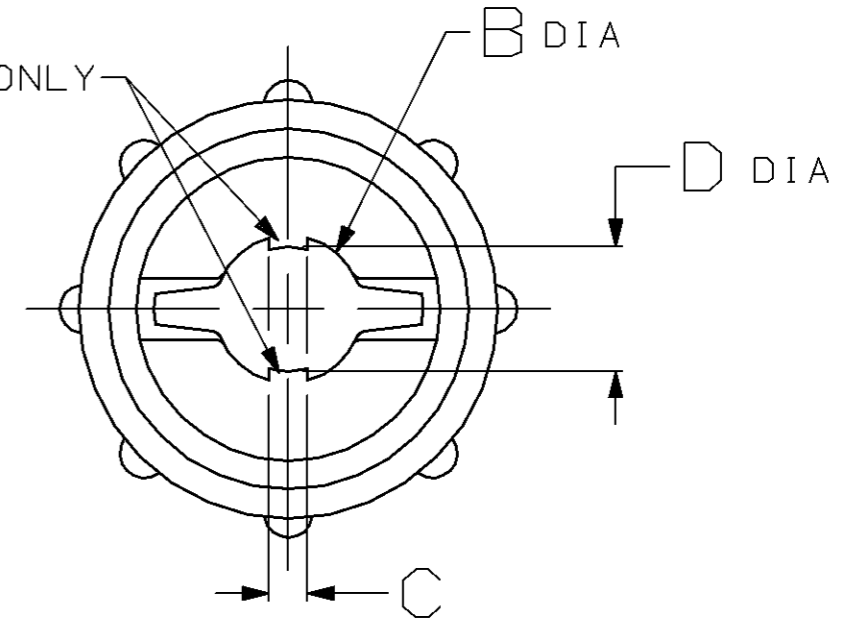


THIS DRAWING IS UNPUBLISHED. RELEASED FOR PUBLICATION, 19
 © COPYRIGHT 19 BY AMP INCORPORATED. ALL INTERNATIONAL RIGHTS RESERVED.

MOD	LOC	DIST	P	F	REVISIONS			
ZONE	LTR	DESCRIPTION	DATE	APPD				
4	BD	35			G	REDRAWN W/O CHANGE PER EC 0020-600-94	06/20/94	AF
					H	OBSOLETE -4 PER EC 0020-1564-93	08/29/94	AF



RIBS 207387-4 ONLY



- ① CABLE RANGE OF 207387-1 WHEN USED WITH FLEXIBLE BOOT (P/N 207241-1) = 5.08-6.35 [.200-.250] DIA.
- ② CABLE RANGE OF 207387-2, & 207387-4 WHEN USED WITH FLEXIBLE BOOT (P/N 207241-1) = 6.35-8.89 [.250-.350] DIA.
- ③ OBSOLETE PART NUMBER.

8.26 [.325]	2.54 [.100]	9.78 [.385]	② 207387-4 ③
-	-	9.78 [.385]	② 207387-2
-	-	8.26 [.325]	① 207387-1
D	C	B	PART NUMBER

DO NOT SCALE PRINT, UNLESS SPECIFIED DIMENSIONS IN mm [INCHES] TOLERANCES ON: 2 PLC DEC ± 0.13 [.005] 3 PLC DEC ± - ANGLES ± -	DR 06/20/94 K.FOLTZ	AMP AMP Incorporated Harrisburg, PA 17105-3608
	CHK 06/24/94 R.STONE	
	APPD 08/09/94 A.FRANTUM	
	APPD 08/09/94 A.FRANTUM	
MATERIAL THERMOPLASTIC COLOR: BLACK	PRODUCT SPEC -	NAME CABLE GRIP, INTERNAL, SIZE 17, CPC
FINISH -	APPLICATION SPEC -	SIZE B CAGE CODE 00779 DRAWING NO C-207387
	WEIGHT -	SCALE 2:1 SHEET 1 OF 1

THIS DRAWING IS A CONTROLLED DOCUMENT FOR AMP INCORPORATED. IT IS SUBJECT TO CHANGE AND THE CONTROLLING ENGINEERING ORGANIZATION SHOULD BE CONTACTED FOR THE LATEST REVISION.