

TOSHIBA RECTIFIER MODULE SILICON DIFFUSED TYPE

20L6P45

Unit in mm

- THREE PHASE FULL WAVE BRIDGE APPLICATIONS
- INVERTER EQUIPMENT FOR AC MOTOR CONTROL
- CHOPPER EQUIPMENT FOR DC MOTOR CONTROL
- DC SUPPLY FOR BATTERY
- OTHER POWER CONVERSION EQUIPMENT

- Repetitive Peak Reverse Voltage : $V_{RRM} = 800V$
- Average Output Rectified Current : $I_O = 20A$
- Isolation Voltage : $V_{Isol} = 2000V$ AC 60s
- Single In-line Package

MAXIMUM RATINGS (Ta = 25°C)

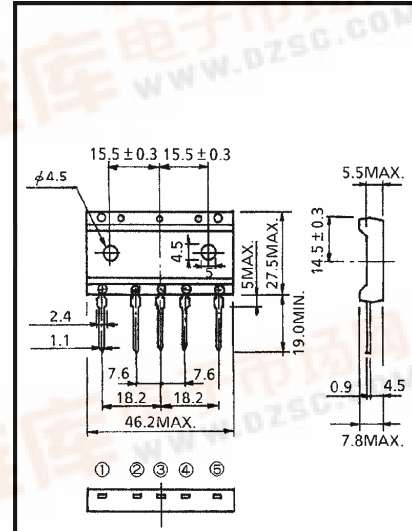
CHARACTERISTIC	SYMBOL	RATING	UNIT
Repetitive Peak Reverse Voltage	V_{RRM}	800	V
Average Output Rectified Current (Tc=105°C)	I_O	20	A
Peak One Cycle Surge Forward Current (Non-Repetitive)	I_{FSM}	300 (50Hz)	A
		330 (60Hz)	
Junction Temperature	T_j	-40~150	°C
Storage Temperature	T_{stg}	-40~125	°C
Screw Torque (Note 1)	—	1.5	N·m
Isolation Voltage (AC, t=60s)	V_{Isol}	2000	V

Note 1 : Recommended torque 1.2 Nm

ELECTRICAL CHARACTERISTICS (Ta = 25°C)

CHARACTERISTIC	SYMBOL	TEST CONDITION	MIN.	MAX.	UNIT
Repetitive Peak Reverse Current	I_{RRM} (Note 2)	$V_{RRM} = 800V$	—	100	μA
Peak Forward Voltage	V_{FM} (Note 2)	$I_{FM} = 20A$	—	1.2	V
Thermal Resistance	$R_{th(j-c)}$	DC (Total) (Junction-Case)	—	1.0	°C/W
	$R_{th(j-a)}$	Free Convection (Junction-Ambient)	—	15	°C/W

Note 2 : A value per rectifier unit.



JEDEC	—
EIAJ	—
TOSHIBA	12-46A1A

Weight : 24g

CONNECTION

