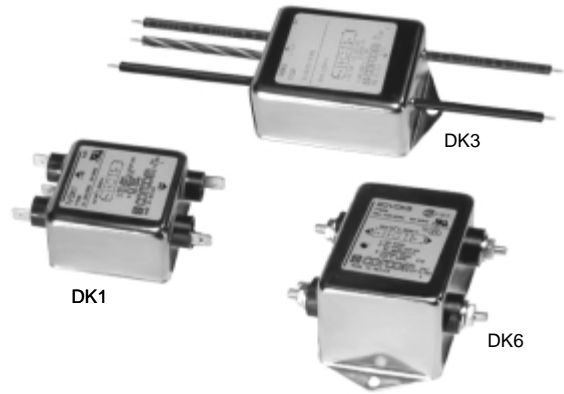


DK Series



UL Recognized
CSA Certified
VDE Approved



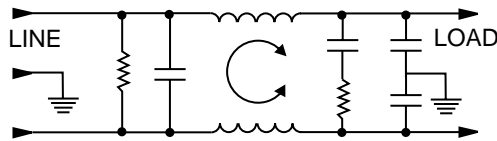
DK Series

The DK series RFI power line filters are general purpose common mode and differential mode filters with higher performance line-to-line attenuation than the VK series.

The E version of the DK series (EDK) has the same high performance line-to-line attenuation while still meeting the very low leakage current requirements of VDE portable equipment and UL544 non-patient care equipment.

The V version of the DK series (VDK) has the same high performance in a more cost-effective package for applications without strict leakage current requirements.

Electrical Schematic



Resistor location for reference only.

Specifications

Maximum leakage current, each line-to-ground

	VDK Models	EDK Models
@ 120 VAC 60 Hz:	.4 mA	.22 mA
@ 250 VAC 50 Hz:	.7 mA	.38 mA

Hipot rating (one minute):

line-to-ground	2250 VDC
line-to-line	1450 VDC

Operating frequency:

50/60 Hz

Rated voltage (max.):

250 VAC

Rated current:

1VDK/1EDK	1A
3VDK/3EDK	3A
6VDK/6EDK	6A
10VDK/10EDK	10A
20VDK/20EDK	20A

Minimum insertion loss in dB:

Line-to-ground in 50 ohm circuit

Current Rating	Frequency-MHz					
	.15	.5	1	5	10	30
VDK Models						
1A, 3A	18	30	40	48	48	40
6A, 10A, 20A	10	22	30	39	44	50
EDK Models						
1A, 3A	17	27	33	45	45	40
6A, 10A, 20A	10	19	25	34	40	46

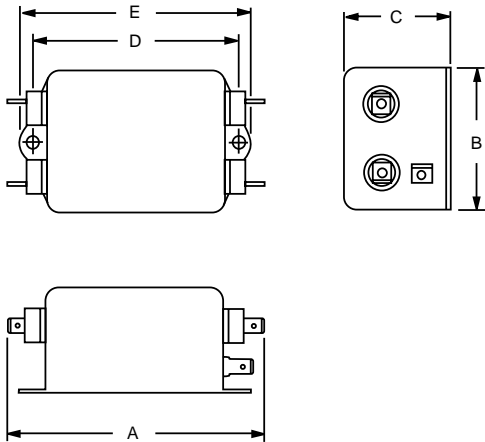
Line-to-line in 50 ohm circuit

Current Rating	Frequency-MHz					
	.15	.5	1	5	10	30
VDK, EDK Models						
1A, 3A	18	47	62	60	50	45
6A, 10A, 20A	20	43	55	65	60	55

DK Series

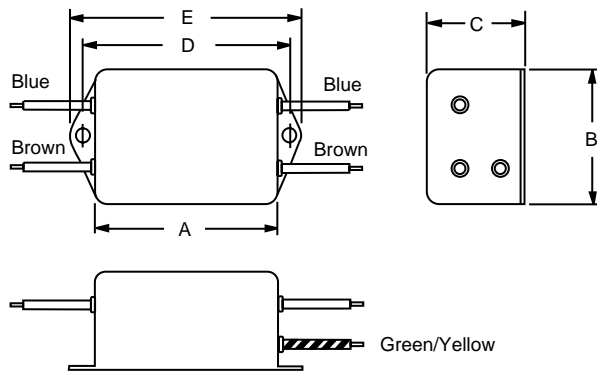
Case Styles

VDK1/EDK1



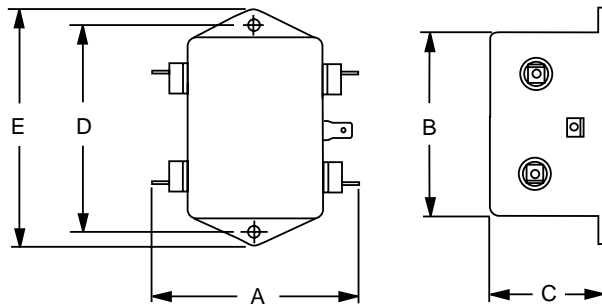
Typical dimensions:
 Terminals: .250 [6.35] (5) Holes: .07 [1.8] Dia.(4)
 Mounting Holes: .188 [4.78] Dia. (2) Slot: .07 x .16 [1.8 x 4.1]

VDK3/EDK3



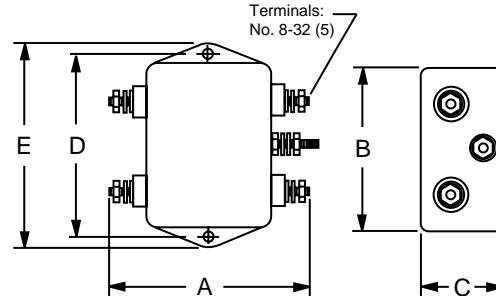
Typical dimensions:
 Wire Leads: 4.0 [101.6] (Min.) Mounting Holes: .188 [4.78] Dia. (2)

20VDK1/20EDK1



Typical dimensions:
 Terminals: .250 [6.35] (5) Holes: .07 [1.8] Dia.(4)
 Mounting Holes: .188 [4.78] Dia. (2) Slot: .07 x .16 [1.8 x 4.1]

20VDK6



Torque 18± 2 in.lb.

Case Dimensions

Part No.	A (max)	B (max)	C (max)	D $\pm_{.38}^{.015}$	E (max)
1VDK1, 1EDK1	3.35 85.1	2.07 52.6	1.16 29.5	2.375 60.33	2.81 71.4
1VDK3, 1EDK3	2.07 52.6	2.07 52.6	1.16 29.5	2.375 60.33	2.81 71.4
3VDK1, 3EDK1,	3.85	2.07	1.16	2.938	3.35
6VDK1, 6EDK1	97.8	52.6	29.5	74.63	85.1
3VDK3, 3EDK3,	2.56	2.07	1.16	2.938	3.35
6VDK3, 6EDK3	65.0	52.6	29.5	74.63	85.1
10VDK1,	3.85	2.07	1.32	2.938	3.35
10EDK1	97.8	52.6	33.5	74.63	85.1
10VDK3,	2.57	2.07	1.32	2.938	3.35
10EDK3	65.3	52.6	33.5	74.63	85.1
20VDK1,	3.85	2.58	1.78	2.938	3.35
20EDK1	97.8	65.5	45.2	74.63	85.1
20VDK6	3.46	2.58	1.78	2.938	3.35
	87.9	65.5	45.2	74.63	85.1

Part Numbers

1VDK1	1EDK1
1VDK3	1EDK3
3VDK1	3EDK1
3VDK3	3EDK3
6VDK1	6EDK1
6VDK3	6EDK3
10VDK1	10EDK1
10VDK3	10EDK3
20VDK1	20EDK1
20VDK6	