

OR CONFIDENTIAL

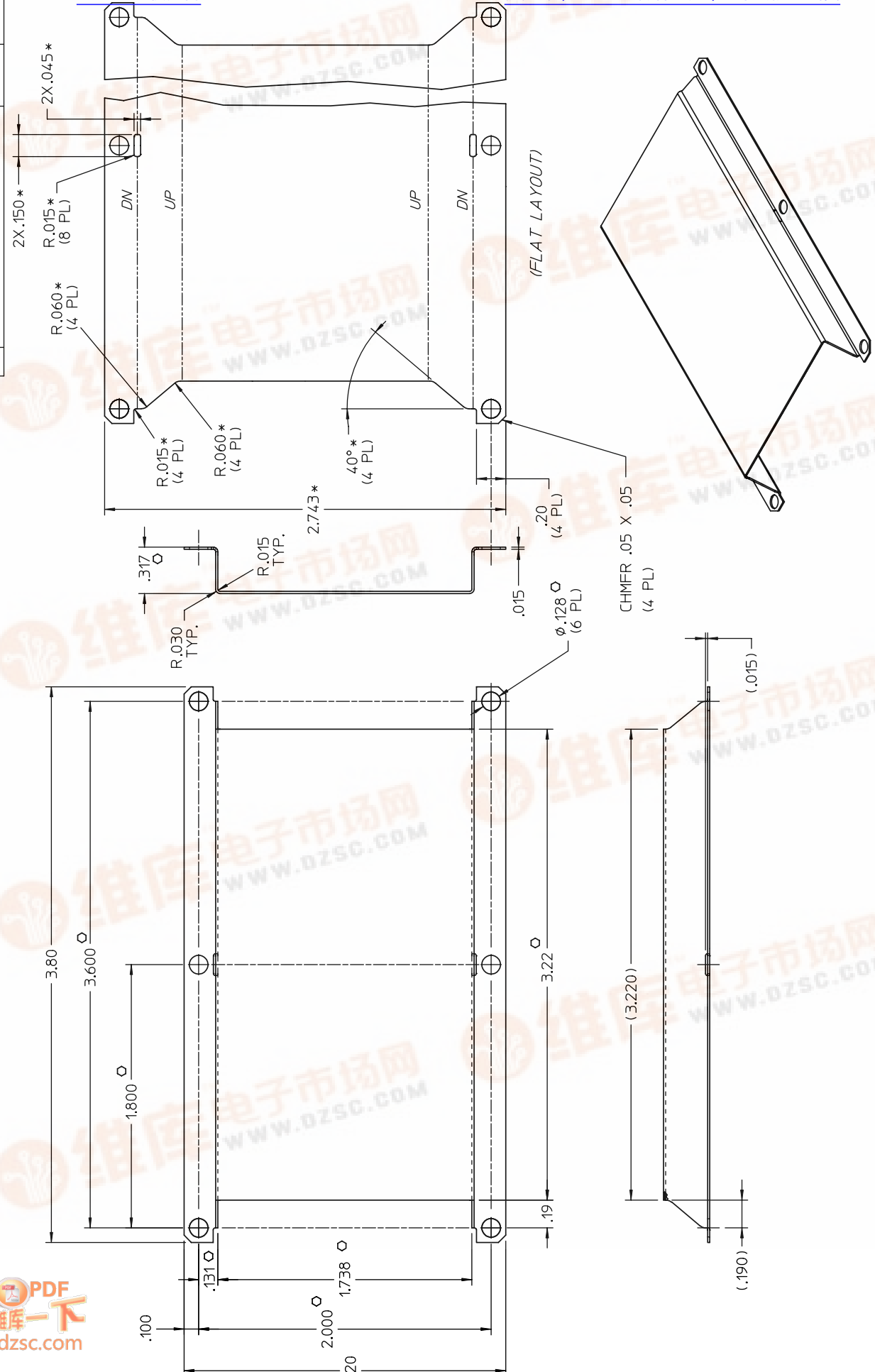
DOCUMENT AND THE DATA DISCLOSED OR HEREIN IS NOT TO BE REPRODUCED, OR DISCLOSED IN WHOLE OR IN PART ONE WITHOUT THE PERMISSION OF VICOR CORP.



REV.	DESCRIPTION	DATE	APPROVED
#3	REVSD PER MRKUP	AK 02/08/01	GCK
#4	MATL WAS CRS. FIN WAS BRIGHT NICKEL	RCM 3/1/01	GCK
#5	CHMFR .05 X .05 WAS R .10	AK 4/10/01	GCK
#6	REVISED PER MARK-UP	PEI 9/14/01	GCK

查询21314供应商

捷多邦, 专业PCB打样厂, 24小时加急出货



DRAWN BY RCM	DATE 11/10/00	VICOR	
UNLESS OTHERWISE SPECIFIED DIMENSIONS ARE IN INCHES TOLERANCES ARE: FRACTIONS DECIMALS ANGLES 1/16 .001 .01		MODULE SHIELD MAXI	
THIRD ANGLE PROJECTION	SIZE C 67131	DWG NO 21314	REV #6
DO NOT SCALE DRAWING	SCALE 2X	SHEET 1	OF 1

- NOTES:
1. MATERIAL: ALUMINUM- (.015) THK. 5052
 2. REMOVE BURRS & SHARP EDGES
 3. * * * DIMENSIONS ARE NOT FOR VICOR INSPECTION.
 4. " O " DENOTES CRITICAL CHARACTERISTICS FOR LOT INSPECTION.
 5. FINISH: CLEAR CHROMATE