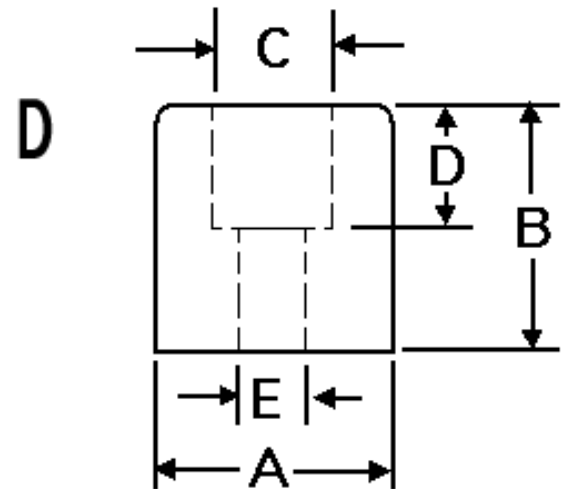
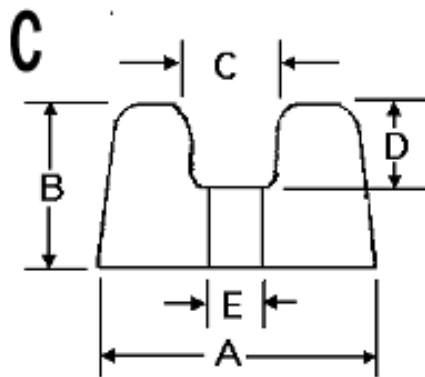
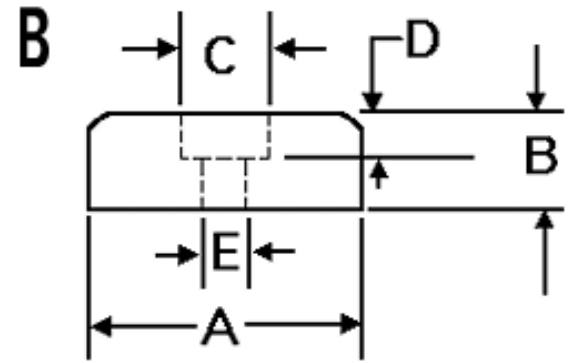
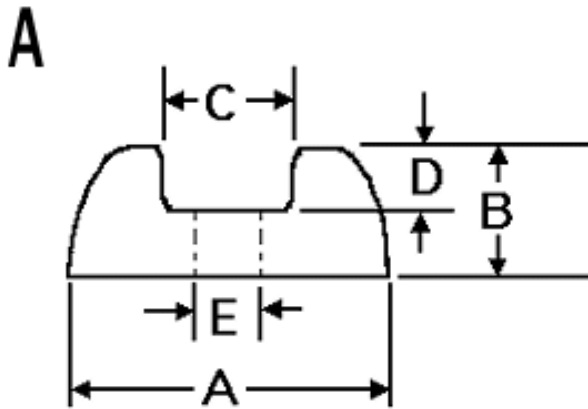


- [Home](#)
- [About](#)
- [Abbatron](#)
- [Products](#)
- [Locate](#)
- [Distributor](#)
- [or](#)
- [Representative](#)
- [Contact Us](#)
- [Request](#)
- [Information](#)
- [Site Map](#)

## Bumpers & Chassis Feet

- Recessed Bumpers with a clearance hole for attachment offers a convenient protection for electrical equipment
- Rubber material is a Black Buna-S Synthetic Rubber(SBR), approximately 60 durometer
- Vinyl bumpers are made of Polyvinyl Chloride(PVC), and are available in -103 Black or -113 Grey. Add color number as suffix to part number
- Vinyl chassis feet have steel eyelet hole
- Alternative sizes and shapes are available in quantity from the factory



Inventory Search

Cross Reference

UPS Tracking

632 Arch Street, POB  
726 Meadville, PA  
16335 USA 814-724-  
6440

[Contact Webmaster](#)

© June 6, 2005

PART NO.	ILLUS.	MATERIALS & ACCESSORIES	SCREW CLR ID	O.D.	HEIGHT	RECESS DIA	RECESS DEPTH
			E	A	B	C	DEPTH
2192	A	Rubber	1/8	1/2	1/4	1/4	1/8
2455	A	Rubber	1/8	17/32	1/4	1/4	5/32
2184	A	Rubber	5/32	5/8	9/32	9/32	1/8
2457	A	Rubber	1/8	11/16	13/32	1/4	7/32
2458	A	Rubber	3/32	23/32	17/32	7/32	1/4
2193	B	Rubber	1/8	5/8	5/16	1/4	3/16
2459	B	Rubber	1/8	3/4	9/32	1/4	1/8
2194	B	Rubber	1/8	3/4	3/8	9/32	3/16
2138	C	Rubber	3/16	15/16	3/8	3/8	3/16
2456	D	Rubber	11/64	5/8	5/8	5/16	5/16
2461	D	Rubber	1/8	1"	1"	1/4	5/8

[home](#) | [about abbatron](#) | [products](#) | [locate distributor or representative](#) | [contact us](#) | [request information](#) | [site map](#)