


[查询25C320供应商](#)

[捷多邦，专业PCB打样工厂，24小时加急出货](#)

 维库电子市场网
WWW.DZSC.COM

 维库电子市场网
WWW.DZSC.COM

 维库电子市场网
WWW.DZSC.COM

 维库电子市场网
WWW.DZSC.COM

 维库电子市场网
WWW.DZSC.COM

 维库电子市场网
WWW.DZSC.COM

 维库电子市场网
WWW.DZSC.COM

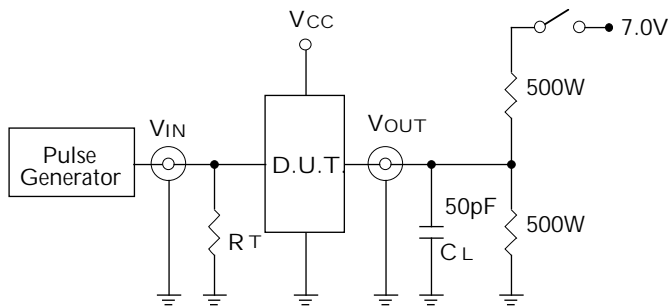
 维库电子市场网
WWW.DZSC.COM

 维库电子市场网
WWW.DZSC.COM

 维库电子市场网
WWW.DZSC.COM

TEST CIRCUITS AND WAVEFORMS

TEST CIRCUITS FOR ALL OUTPUTS



2629 drw 03

SWITCH POSITION

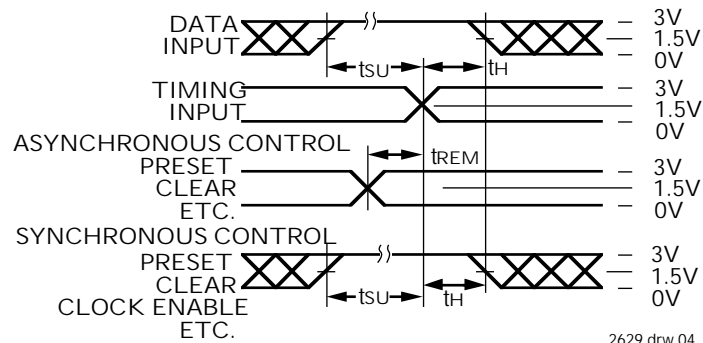
Test	Switch
Open Drain Disable Low Enable Low	Closed
All Other Tests	Open

DEFINITIONS:

CL= Load capacitance: includes jig and probe capacitance.
RT= Termination resistance: should be equal to Z_{out} of the Pulse Generator.

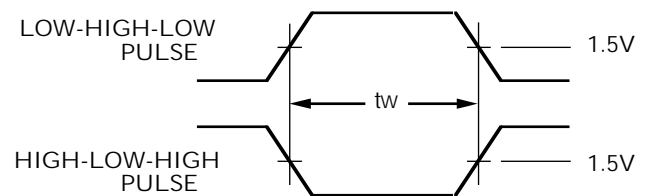
2629 Ink 12

SET-UP, HOLD AND RELEASE TIMES



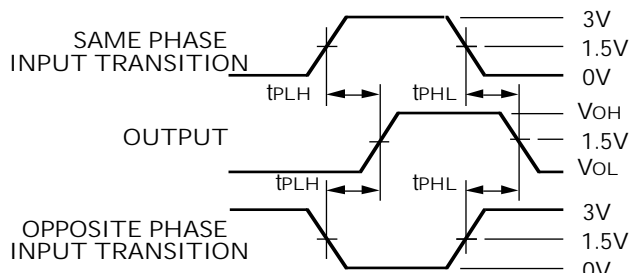
2629 drw 04

PULSE WIDTH

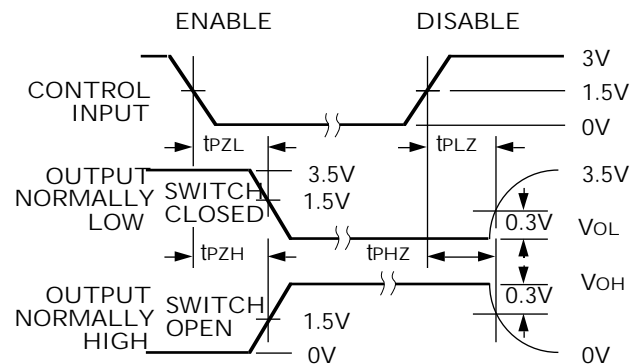


2629 drw 05

PROPAGATION DELAY



2629 drw 06



2629 drw 07

NOTES:

1. Diagram shown for input Control Enable-LOW and input Control Disable-HIGH
2. Pulse Generator for All Pulses: Rate \leq 1.0MHz; $t_r \leq$ 2.5ns; $t_r \leq$ 2.5ns

ORDERING INFORMATION

