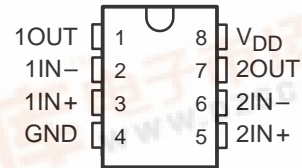


# TLC272, TLC272A, TLC272B, TLC272Y, TLC277 LinCMOS™ PRECISION DUAL OPERATIONAL AMPLIFIERS

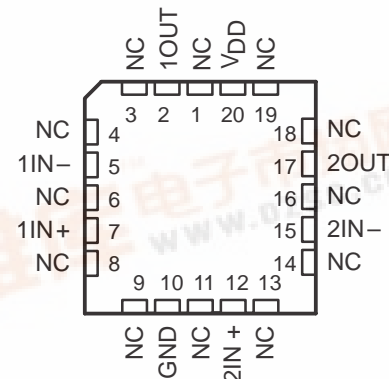
SLOS091B – OCTOBER 1987 – REVISED AUGUST 1994

- **Trimmed Offset Voltage:**  
TLC277 . . . 500  $\mu\text{V}$  Max at 25°C,  
 $V_{\text{DD}} = 5 \text{ V}$
- **Input Offset Voltage Drift . . . Typically**  
0.1  $\mu\text{V}/\text{Month}$ , Including the First 30 Days
- **Wide Range of Supply Voltages Over Specified Temperature Range:**  
0°C to 70°C . . . 3 V to 16 V  
–40°C to 85°C . . . 4 V to 16 V  
–55°C to 125°C . . . 4 V to 16 V
- **Single-Supply Operation**
- **Common-Mode Input Voltage Range Extends Below the Negative Rail (C-Suffix, I-Suffix types)**
- **Low Noise . . . Typically 25 nV/ $\sqrt{\text{Hz}}$  at  $f = 1 \text{ kHz}$**
- **Output Voltage Range Includes Negative Rail**
- **High Input impedance . . . 10<sup>12</sup>  $\Omega$  Typ**
- **ESD-Protection Circuitry**
- **Small-Outline Package Option Also Available in Tape and Reel**
- **Designed-in Latch-Up Immunity**

D, JG, P, OR PW PACKAGE  
(TOP VIEW)



FK PACKAGE  
(TOP VIEW)



NC – No internal connection

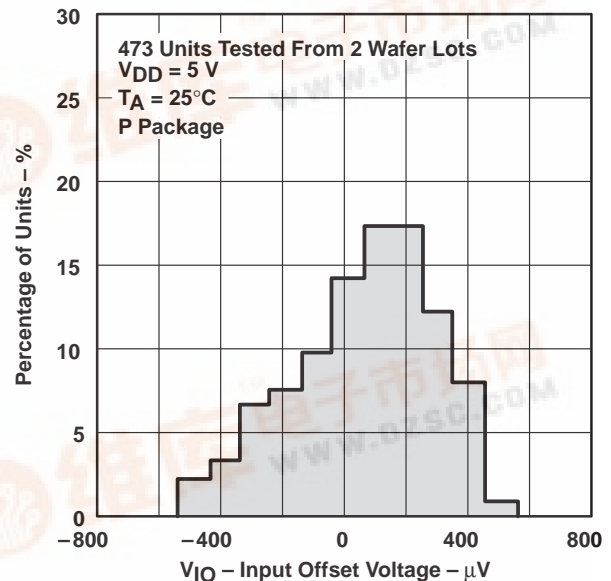
## description

The TLC272 and TLC277 precision dual operational amplifiers combine a wide range of input offset voltage grades with low offset voltage drift, high input impedance, low noise, and speeds approaching that of general-purpose BiFET devices.

These devices use Texas instruments silicon-gate LinCMOS™ technology, which provides offset voltage stability far exceeding the stability available with conventional metal-gate processes.

The extremely high input impedance, low bias currents, and high slew rates make these cost-effective devices ideal for applications which have previously been reserved for BiFET and NFET products. Four offset voltage grades are available (C-suffix and I-suffix types), ranging from the low-cost TLC272 (10 mV) to the high-precision TLC277 (500  $\mu\text{V}$ ). These advantages, in combination with good common-mode rejection and supply voltage rejection, make these devices a good choice for new state-of-the-art designs as well as for upgrading existing designs.

DISTRIBUTION OF TLC277  
INPUT OFFSET VOLTAGE



# TLC272, TLC272A, TLC272B, TLC272Y, TLC277 LinCMOS™ PRECISION DUAL OPERATIONAL AMPLIFIERS

SLOS091B – OCTOBER 1987 – REVISED AUGUST 1994

## AVAILABLE OPTIONS

| T <sub>A</sub> | V <sub>IO</sub> max<br>AT 25°C | PACKAGED DEVICES        |                         |                        |                       |               | CHIP<br>FORM<br>(Y) |
|----------------|--------------------------------|-------------------------|-------------------------|------------------------|-----------------------|---------------|---------------------|
|                |                                | SMALL<br>OUTLINE<br>(D) | CHIP<br>CARRIER<br>(FK) | CERAMIC<br>DIP<br>(JG) | PLASTIC<br>DIP<br>(P) | TSSOP<br>(PW) |                     |
| 0°C to 70°C    | 500 μV                         | TLC277CD                | —                       | —                      | TLC277CP              | —             | —                   |
|                | 2 mV                           | TLC272BCD               | —                       | —                      | TLC272BCP             | —             | —                   |
|                | 5 mV                           | TLC272ACD               | —                       | —                      | TLC272ACP             | —             | —                   |
|                | 10 mV                          | TLC272CD                | —                       | —                      | TLC272CP              | TLC272CPW     | TLC272Y             |
| -40°C to 85°C  | 500 μV                         | TLC277ID                | —                       | —                      | TLC277IP              | —             | —                   |
|                | 2 mV                           | TLC272BID               | —                       | —                      | TLC272BIP             | —             | —                   |
|                | 5 mV                           | TLC272AID               | —                       | —                      | TLC272AIP             | —             | —                   |
|                | 10 mV                          | TLC272ID                | —                       | —                      | TLC272IP              | —             | —                   |
| -55°C to 125°C | 500 μV                         | TLC277MD                | TLC277MFK               | TLC277MJG              | TLC277MP              | —             | —                   |
|                | 10 mV                          | TLC272MD                | TLC272MFK               | TLC272MJG              | TLC272MP              | —             | —                   |

The D package is available taped and reeled. Add R suffix to the device type (e.g., TLC277CDR).

### description (continued)

In general, many features associated with bipolar technology are available on LinCMOS™ operational amplifiers without the power penalties of bipolar technology. General applications such as transducer interfacing, analog calculations, amplifier blocks, active filters, and signal buffering are easily designed with the TLC272 and TLC277. The devices also exhibit low voltage single-supply operation, making them ideally suited for remote and inaccessible battery-powered applications. The common-mode input voltage range includes the negative rail.

A wide range of packaging options is available, including small-outline and chip carrier versions for high-density system applications.

The device inputs and outputs are designed to withstand -100-mA surge currents without sustaining latch-up.

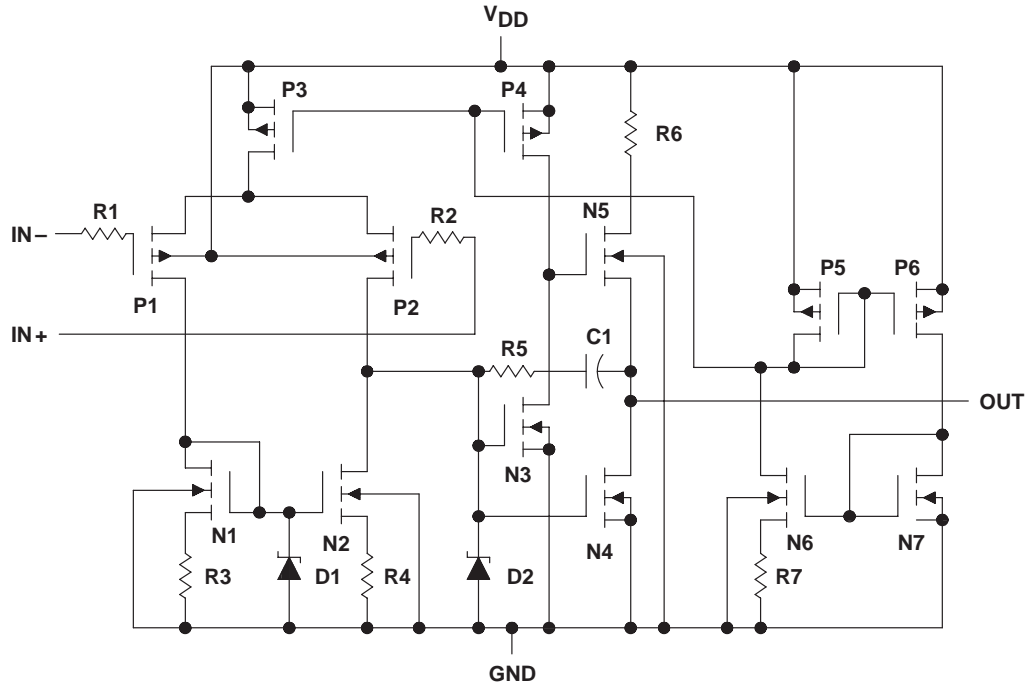
The TLC272 and TLC277 incorporate internal ESD-protection circuits that prevent functional failures at voltages up to 2000 V as tested under MIL-STD-883C, Method 3015.2; however, care should be exercised in handling these devices as exposure to ESD may result in the degradation of the device parametric performance.

The C-suffix devices are characterized for operation from 0°C to 70°C. The I-suffix devices are characterized for operation from -40°C to 85°C. The M-suffix devices are characterized for operation over the full military temperature range of -55°C to 125°C.

# TLC272, TLC272A, TLC272B, TLC272Y, TLC277 LinCMOS™ PRECISION DUAL OPERATIONAL AMPLIFIERS

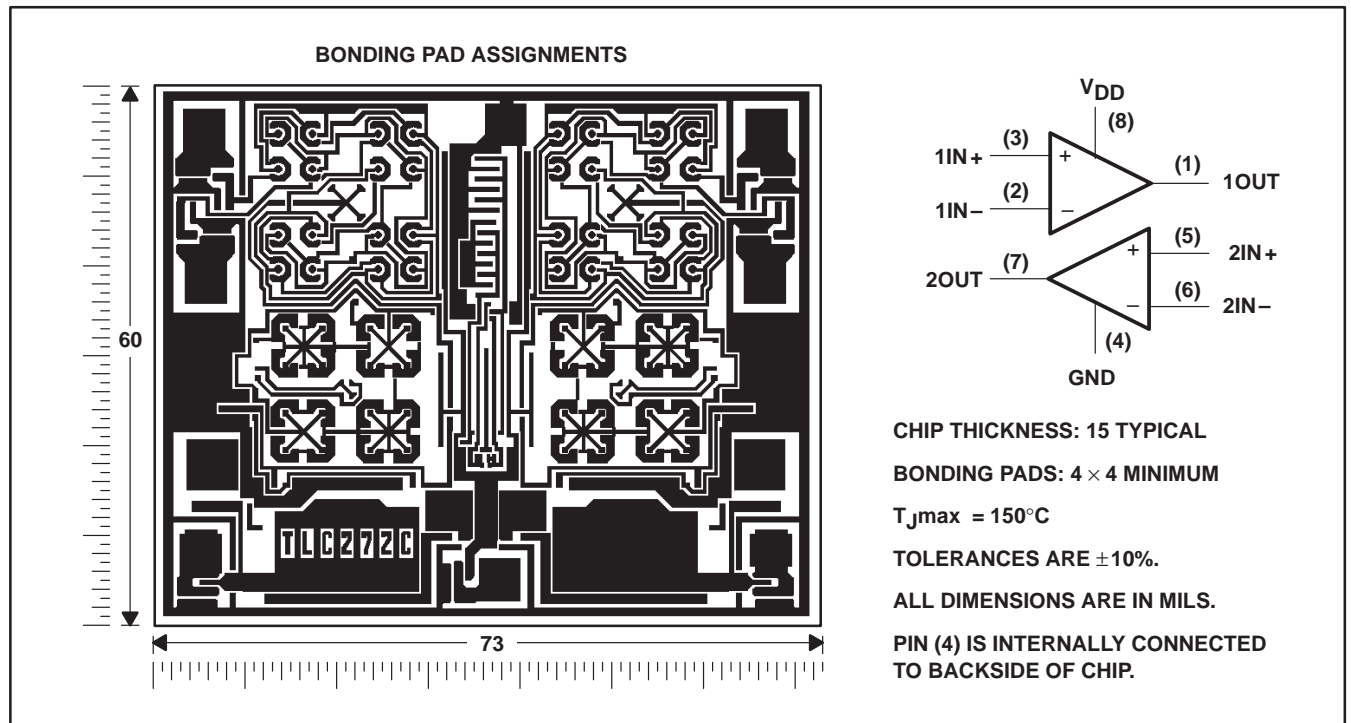
SLOS091B – OCTOBER 1987 – REVISED AUGUST 1994

equivalent schematic (each amplifier)



## TLC272Y chip information

This chip, when properly assembled, displays characteristics similar to the TLC272C. Thermal compression or ultrasonic bonding may be used on the doped-aluminum bonding pads. Chips may be mounted with conductive epoxy or a gold-silicon preform.



# TLC272, TLC272A, TLC272B, TLC272Y, TLC277 LinCMOS™ PRECISION DUAL OPERATIONAL AMPLIFIERS

SLOS091B – OCTOBER 1987 – REVISED AUGUST 1994

## absolute maximum ratings over operating free-air temperature range (unless otherwise noted)†

|   |                              |
|---|------------------------------|
| Supply voltage, $V_{DD}$ (see Note 1)   | 18 V                         |
| Differential input voltage, $V_{ID}$ (see Note 2)                                 | $\pm V_{DD}$                 |
| Input voltage range, $V_I$ (any input)  | -0.3 V to $V_{DD}$           |
| Input current, $I_I$  | $\pm 5$ mA                   |
| output current, $I_O$ (each output)   | $\pm 30$ mA                  |
| Total current into $V_{DD}$   | 45 mA                        |
| Total current out of GND  | 45 mA                        |
| Duration of short-circuit current at (or below) 25°C (see Note 3)                 | unlimited                    |
| Continuous total dissipation  | See Dissipation Rating Table |
| Operating free-air temperature, $T_A$ : C suffix                                  | 0°C to 70°C                  |
| I suffix  | -40°C to 85°C                |
| M suffix  | -55°C to 125°C               |
| Storage temperature range   | -65°C to 150°C               |
| Case temperature for 60 seconds: FK package                                       | 260°C                        |
| Lead temperature 1,6 mm (1/16 inch) from case for 10 seconds: D, P, or PW package | 260°C                        |
| Lead temperature 1,6 mm (1/16 inch) from case for 60 seconds: JG package          | 300°C                        |

† Stresses beyond those listed under “absolute maximum ratings” may cause permanent damage to the device. These are stress ratings only, and functional operation of the device at these or any other conditions beyond those indicated under “recommended operating conditions” is not implied. Exposure to absolute-maximum-rated conditions for extended periods may affect device reliability.

- NOTES: 1. All voltage values, except differential voltages, are with respect to network ground.  
 2. Differential voltages are at  $IN+$  with respect to  $IN-$ .  
 3. The output may be shorted to either supply. Temperature and/or supply voltages must be limited to ensure that the maximum dissipation rating is not exceeded (see application section).

DISSIPATION RATING TABLE

| PACKAGE | $T_A \leq 25^\circ\text{C}$ | DERATING FACTOR<br>ABOVE $T_A = 25^\circ\text{C}$ | $T_A = 70^\circ\text{C}$ | $T_A = 85^\circ\text{C}$ | $T_A = 125^\circ\text{C}$ |
|---------|-----------------------------|---|--------------------------|--------------------------|---------------------------|
|         | POWER RATING                |   | POWER RATING             | POWER RATING             | POWER RATING              |
| D       | 725 mW                      | 5.8 mW/°C   | 464 mW                   | 377 mW                   | N/A                       |
| FK      | 1375 mW                     | 11 mW/°C  | 880 mW                   | 715 mW                   | 275 mW                    |
| JG      | 1050 mW                     | 8.4 mW/°C   | 672 mW                   | 546 mW                   | 210 mW                    |
| P       | 1000 mW                     | 8.0 mW/°C   | 640 mW                   | 520 mW                   | N/A                       |
| PW      | 525 mW                      | 4.2 mW/°C   | 336 mW                   | N/A                      | N/A                       |

## recommended operating conditions

|                                       | C SUFFIX        |     | I SUFFIX |     | M SUFFIX |     | UNIT |
|---------------------------------------|-----------------|-----|----------|-----|----------|-----|------|
|                                       | MIN             | MAX | MIN      | MAX | MIN      | MAX |      |
| Supply voltage, $V_{DD}$              | 3               | 16  | 4        | 16  | 4        | 16  | V    |
| Common-mode input voltage, $V_{IC}$   | $V_{DD} = 5$ V  |     | -0.2     | 3.5 | -0.2     | 3.5 | V    |
|                                       | $V_{DD} = 10$ V |     | -0.2     | 8.5 | -0.2     | 8.5 |      |
| Operating free-air temperature, $T_A$ | 0               | 70  | -40      | 85  | -55      | 125 | °C   |

# TLC272, TLC272A, TLC272B, TLC272Y, TLC277 LinCMOS™ PRECISION DUAL OPERATIONAL AMPLIFIERS

SLOS091B – OCTOBER 1987 – REVISED AUGUST 1994

**electrical characteristics at specified free-air temperature,  $V_{DD} = 5\text{ V}$  (unless otherwise noted)**

| PARAMETER      |   | TEST CONDITIONS                        |  | $T_A$ †                                     | TLC272C, TLC272AC,<br>TLC272BC, TLC277C |                   |                              | UNIT          |
|----------------|---|--|--|---|---|-------------------|------------------------------|---------------|
|                |   |  |  |   | MIN                                     | TYP               | MAX                          |               |
| $V_{IO}$       | Input offset voltage  | TLC272C                                | $V_O = 1.4\text{ V}$ ,<br>$R_S = 50\ \Omega$ , | $V_{IC} = 0$ ,<br>$R_L = 10\text{ k}\Omega$ | 25°C                                    | 1.1               | 10                           | mV            |
|                |   |  |  |   | Full range                              |                   | 12                           |               |
|                |   | TLC272AC                               | $V_O = 1.4\text{ V}$ ,<br>$R_S = 50\ \Omega$ , | $V_{IC} = 0$ ,<br>$R_L = 10\text{ k}\Omega$ | 25°C                                    | 0.9               | 5                            | mV            |
|                |   |  |  |   | Full range                              |                   | 6.5                          |               |
|                |   | TLC272BC                               | $V_O = 1.4\text{ V}$ ,<br>$R_S = 50\ \Omega$ , | $V_{IC} = 0$ ,<br>$R_L = 10\text{ k}\Omega$ | 25°C                                    | 230               | 2000                         | $\mu\text{V}$ |
|                |   |  |  |   | Full range                              |                   | 3000                         |               |
|                |   | TLC277C                                | $V_O = 1.4\text{ V}$ ,<br>$R_S = 50\ \Omega$ , | $V_{IC} = 0$ ,<br>$R_L = 10\text{ k}\Omega$ | 25°C                                    | 200               | 500                          | $\mu\text{V}$ |
|                |   |  |  |   | Full range                              |                   | 1500                         |               |
| $\alpha_{VIO}$ | Temperature coefficient of input offset voltage                     |  |  | 25°C to<br>70°C                             | 1.8                                     |                   | $\mu\text{V}/^\circ\text{C}$ |               |
| $I_{IO}$       | Input offset current (see Note 4)                                   | $V_O = 2.5\text{ V}$ ,                 | $V_{IC} = 2.5\text{ V}$                        | 25°C  | 0.1                                     |                   | pA                           |               |
|                |   |  |  | 70°C  | 7                                       | 300               |                              |               |
| $I_{IB}$       | Input bias current (see Note 4)                                     | $V_O = 2.5\text{ V}$ ,                 | $V_{IC} = 2.5\text{ V}$                        | 25°C  | 0.6                                     |                   | pA                           |               |
|                |   |  |  | 70°C  | 40                                      | 600               |                              |               |
| $V_{ICR}$      | Common-mode input voltage range<br>(see Note 5)                     |  |  | 25°C  | -0.2<br>to<br>4                         | -0.3<br>to<br>4.2 | V                            |               |
|                |   |  |  | Full range                                  | -0.2<br>to<br>3.5                       |                   | V                            |               |
| $V_{OH}$       | High-level output voltage   | $V_{ID} = 100\text{ mV}$ ,             | $R_L = 10\text{ k}\Omega$                      | 25°C  | 3.2                                     | 3.8               | V                            |               |
|                |   |  |  | 0°C   | 3                                       | 3.8               |                              |               |
|                |   |  |  | 70°C  | 3                                       | 3.8               |                              |               |
| $V_{OL}$       | Low-level output voltage  | $V_{ID} = -100\text{ mV}$ ,            | $I_{OL} = 0$                                   | 25°C  | 0                                       | 50                | mV                           |               |
|                |   |  |  | 0°C   | 0                                       | 50                |                              |               |
|                |   |  |  | 70°C  | 0                                       | 50                |                              |               |
| $A_{VD}$       | Large-signal differential voltage amplification                     | $V_O = 0.25\text{ V to }2\text{ V}$ ,  | $R_L = 10\text{ k}\Omega$                      | 25°C  | 5                                       | 23                | V/mV                         |               |
|                |   |  |  | 0°C   | 4                                       | 27                |                              |               |
|                |   |  |  | 70°C  | 4                                       | 20                |                              |               |
| CMRR           | Common-mode rejection ratio   | $V_{IC} = V_{ICRmin}$                  |  | 25°C  | 65                                      | 80                | dB                           |               |
|                |   |  |  | 0°C   | 60                                      | 84                |                              |               |
|                |   |  |  | 70°C  | 60                                      | 85                |                              |               |
| $k_{SVR}$      | Supply-voltage rejection ratio<br>( $\Delta V_{DD}/\Delta V_{IO}$ ) | $V_{DD} = 5\text{ V to }10\text{ V}$ , | $V_O = 1.4\text{ V}$                           | 25°C  | 65                                      | 95                | dB                           |               |
|                |   |  |  | 0°C   | 60                                      | 94                |                              |               |
|                |   |  |  | 70°C  | 60                                      | 96                |                              |               |
| $I_{DD}$       | Supply current (two amplifiers)                                     | $V_O = 2.5\text{ V}$ ,<br>No load      | $V_{IC} = 5\text{ V}$ ,                        | 25°C  | 1.4                                     | 3.2               | mA                           |               |
|                |   |  |  | 0°C   | 1.6                                     | 3.6               |                              |               |
|                |   |  |  | 70°C  | 1.2                                     | 2.6               |                              |               |

† Full range is 0°C to 70°C.

- NOTES: 4. The typical values of input bias current and input offset current below 5 pA were determined mathematically.  
5. This range also applies to each input individually.

# TLC272, TLC272A, TLC272B, TLC272Y, TLC277 LinCMOS™ PRECISION DUAL OPERATIONAL AMPLIFIERS

SLOS091B – OCTOBER 1987 – REVISED AUGUST 1994

## electrical characteristics at specified free-air temperature, $V_{DD} = 10\text{ V}$ (unless otherwise noted)

| PARAMETER      |  | TEST CONDITIONS                       |  | $T_A$ †                                    | TLC272C, TLC272AC,<br>TLC272BC, TLC277C |             |                              | UNIT          |
|----------------|--|---------------------------------------|--|--|---|-------------|------------------------------|---------------|
|                |  |                                       |  |  | MIN                                     | TYP         | MAX                          |               |
| $V_{IO}$       | Input offset voltage   | TLC272C                               | $V_O = 1.4\text{ V},$<br>$R_S = 50\ \Omega,$ | $V_{IC} = 0,$<br>$R_L = 10\text{ k}\Omega$ | 25°C                                    | 1.1         | 10                           | mV            |
|                |  |                                       |  |  | Full range                              |             | 12                           |               |
|                |  | TLC272AC                              | $V_O = 1.4\text{ V},$<br>$R_S = 50\ \Omega,$ | $V_{IC} = 0,$<br>$R_L = 10\text{ k}\Omega$ | 25°C                                    | 0.9         | 5                            | mV            |
|                |  |                                       |  |  | Full range                              |             | 6.5                          |               |
|                |  | TLC272BC                              | $V_O = 1.4\text{ V},$<br>$R_S = 50\ \Omega,$ | $V_{IC} = 0,$<br>$R_L = 10\text{ k}\Omega$ | 25°C                                    | 290         | 2000                         | $\mu\text{V}$ |
|                |  |                                       |  |  | Full range                              |             | 3000                         |               |
|                |  | TLC277C                               | $V_O = 1.4\text{ V},$<br>$R_S = 50\ \Omega,$ | $V_{IC} = 0,$<br>$R_L = 10\text{ k}\Omega$ | 25°C                                    | 250         | 800                          | $\mu\text{V}$ |
|                |  |                                       |  |  | Full range                              |             | 1900                         |               |
| $\alpha_{VIO}$ | Temperature coefficient of input offset voltage                  |                                       |  | 25°C to 70°C                               | 2                                       |             | $\mu\text{V}/^\circ\text{C}$ |               |
| $I_{IO}$       | Input offset current (see Note 4)                                | $V_O = 5\text{ V},$                   | $V_{IC} = 5\text{ V}$                        | 25°C                                       | 0.1                                     |             | pA                           |               |
|                |  |                                       |  | 70°C                                       | 7                                       | 300         |                              |               |
| $I_{IB}$       | Input bias current (see Note 4)                                  | $V_O = 5\text{ V},$                   | $V_{IC} = 5\text{ V}$                        | 25°C                                       | 0.7                                     |             | pA                           |               |
|                |  |                                       |  | 70°C                                       | 50                                      | 600         |                              |               |
| $V_{ICR}$      | Common-mode input voltage range (see Note 5)                     |                                       |  | 25°C                                       | -0.2 to 9                               | -0.3 to 9.2 | V                            |               |
|                |  |                                       |  | Full range                                 | -0.2 to 8.5                             |             | V                            |               |
| $V_{OH}$       | High-level output voltage  | $V_{ID} = 100\text{ mV},$             | $R_L = 10\text{ k}\Omega$                    | 25°C                                       | 8                                       | 8.5         | V                            |               |
|                |  |                                       |  | 0°C  | 7.8                                     | 8.5         |                              |               |
|                |  |                                       |  | 70°C                                       | 7.8                                     | 8.4         |                              |               |
| $V_{OL}$       | Low-level output voltage   | $V_{ID} = -100\text{ mV},$            | $I_{OL} = 0$                                 | 25°C                                       | 0                                       | 50          | mV                           |               |
|                |  |                                       |  | 0°C  | 0                                       | 50          |                              |               |
|                |  |                                       |  | 70°C                                       | 0                                       | 50          |                              |               |
| $A_{VD}$       | Large-signal differential voltage amplification                  | $V_O = 1\text{ V to }6\text{ V},$     | $R_L = 10\text{ k}\Omega$                    | 25°C                                       | 10                                      | 36          | V/mV                         |               |
|                |  |                                       |  | 0°C  | 7.5                                     | 42          |                              |               |
|                |  |                                       |  | 70°C                                       | 7.5                                     | 32          |                              |               |
| CMRR           | Common-mode rejection ratio                                      | $V_{IC} = V_{ICRmin}$                 |  | 25°C                                       | 65                                      | 85          | dB                           |               |
|                |  |                                       |  | 0°C  | 60                                      | 88          |                              |               |
|                |  |                                       |  | 70°C                                       | 60                                      | 88          |                              |               |
| $k_{SVR}$      | Supply-voltage rejection ratio ( $\Delta V_{DD}/\Delta V_{IO}$ ) | $V_{DD} = 5\text{ V to }10\text{ V},$ | $V_O = 1.4\text{ V}$                         | 25°C                                       | 65                                      | 95          | dB                           |               |
|                |  |                                       |  | 0°C  | 60                                      | 94          |                              |               |
|                |  |                                       |  | 70°C                                       | 60                                      | 96          |                              |               |
| $I_{DD}$       | Supply current (two amplifiers)                                  | $V_O = 2.5\text{ V},$<br>No load      | $V_{IC} = 5\text{ V},$                       | 25°C                                       | 1.9                                     | 4           | mA                           |               |
|                |  |                                       |  | 0°C  | 2.3                                     | 4.4         |                              |               |
|                |  |                                       |  | 70°C                                       | 1.6                                     | 3.4         |                              |               |

† Full range is 0°C to 70°C.

NOTES: 4. The typical values of input bias current and input offset current below 5 pA were determined mathematically.  
5. This range also applies to each input individually.

# TLC272, TLC272A, TLC272B, TLC272Y, TLC277 LinCMOS™ PRECISION DUAL OPERATIONAL AMPLIFIERS

SLOS091B – OCTOBER 1987 – REVISED AUGUST 1994

**electrical characteristics at specified free-air temperature,  $V_{DD} = 5\text{ V}$  (unless otherwise noted)**

| PARAMETER      |   | TEST CONDITIONS   |  | $T_A$ †                                     | TLC272I, TLC272AI,<br>TLC272BI, TLC277I |                   |                              | UNIT          |
|----------------|---|---|--|---|---|-------------------|------------------------------|---------------|
|                |   |   |  |   | MIN                                     | TYP               | MAX                          |               |
| $V_{IO}$       | Input offset voltage  | TLC272I   | $V_O = 1.4\text{ V}$ ,<br>$R_S = 50\ \Omega$ , | $V_{IC} = 0$ ,<br>$R_L = 10\text{ k}\Omega$ | 25°C                                    | 1.1               | 10                           | mV            |
|                |   |   |  |   | Full range                              |                   | 13                           |               |
|                |   | TLC272AI  | $V_O = 1.4\text{ V}$ ,<br>$R_S = 50\ \Omega$ , | $V_{IC} = 0$ ,<br>$R_L = 10\text{ k}\Omega$ | 25°C                                    | 0.9               | 5                            | mV            |
|                |   |   |  |   | Full range                              |                   | 7                            |               |
|                |   | TLC272BI  | $V_O = 1.4\text{ V}$ ,<br>$R_S = 50\ \Omega$ , | $V_{IC} = 0$ ,<br>$R_L = 10\text{ k}\Omega$ | 25°C                                    | 230               | 2000                         | $\mu\text{V}$ |
|                |   |   |  |   | Full range                              |                   | 3500                         |               |
|                |   | TLC277I   | $V_O = 1.4\text{ V}$ ,<br>$R_S = 50\ \Omega$ , | $V_{IC} = 0$ ,<br>$R_L = 10\text{ k}\Omega$ | 25°C                                    | 200               | 500                          | $\mu\text{V}$ |
|                |   |   |  |   | Full range                              |                   | 2000                         |               |
| $\alpha_{VIO}$ | Temperature coefficient of input offset voltage                     |   |  | 25°C to<br>85°C                             | 1.8                                     |                   | $\mu\text{V}/^\circ\text{C}$ |               |
| $I_{IO}$       | Input offset current (see Note 4)                                   | $V_O = 2.5\text{ V}$ ,                                      | $V_{IC} = 2.5\text{ V}$                        | 25°C  | 0.1                                     |                   | pA                           |               |
|                |   |   |  | 85°C  | 24                                      | 15                |                              |               |
| $I_{IB}$       | Input bias current (see Note 4)                                     | $V_O = 2.5\text{ V}$ ,                                      | $V_{IC} = 2.5\text{ V}$                        | 25°C  | 0.6                                     |                   | pA                           |               |
|                |   |   |  | 85°C  | 200                                     | 35                |                              |               |
| $V_{ICR}$      | Common-mode input voltage range<br>(see Note 5)                     |   |  | 25°C  | -0.2<br>to<br>4                         | -0.3<br>to<br>4.2 | V                            |               |
|                |   |   |  | Full range                                  | -0.2<br>to<br>3.5                       |                   | V                            |               |
| $V_{OH}$       | High-level output voltage   | $V_{ID} = 100\text{ mV}$ ,                                  | $R_L = 10\text{ k}\Omega$                      | 25°C  | 3.2                                     | 3.8               | V                            |               |
|                |   |   |  | -40°C                                       | 3                                       | 3.8               |                              |               |
|                |   |   |  | 85°C  | 3                                       | 3.8               |                              |               |
| $V_{OL}$       | Low-level output voltage  | $V_{ID} = -100\text{ mV}$ ,                                 | $I_{OL} = 0$                                   | 25°C  | 0                                       | 50                | mV                           |               |
|                |   |   |  | -40°C                                       | 0                                       | 50                |                              |               |
|                |   |   |  | 85°C  | 0                                       | 50                |                              |               |
| $A_{VD}$       | Large-signal differential voltage amplification                     | $V_O = 1\text{ V to }6\text{ V}$ ,                          | $R_L = 10\text{ k}\Omega$                      | 25°C  | 5                                       | 23                | V/mV                         |               |
|                |   |   |  | -40°C                                       | 3.5                                     | 32                |                              |               |
|                |   |   |  | 85°C  | 3.5                                     | 19                |                              |               |
| CMRR           | Common-mode rejection ratio   | $V_{IC} = V_{ICRmin}$                                       |  | 25°C  | 65                                      | 80                | dB                           |               |
|                |   |   |  | -40°C                                       | 60                                      | 81                |                              |               |
|                |   |   |  | 85°C  | 60                                      | 86                |                              |               |
| $k_{SVR}$      | Supply-voltage rejection ratio<br>( $\Delta V_{DD}/\Delta V_{IO}$ ) | $V_{DD} = 5\text{ V to }10\text{ V}$ , $V_O = 1.4\text{ V}$ |  | 25°C  | 65                                      | 95                | dB                           |               |
|                |   |   |  | -40°C                                       | 60                                      | 92                |                              |               |
|                |   |   |  | 85°C  | 60                                      | 96                |                              |               |
| $I_{DD}$       | Supply current (two amplifiers)                                     | $V_O = 5\text{ V}$ ,<br>No load                             | $V_{IC} = 5\text{ V}$ ,                        | 25°C  | 1.4                                     | 3.2               | mA                           |               |
|                |   |   |  | -40°C                                       | 1.9                                     | 4.4               |                              |               |
|                |   |   |  | 85°C  | 1.1                                     | 2.4               |                              |               |

† Full range is -40°C to 85°C.

- NOTES: 4. The typical values of input bias current and input offset current below 5 pA were determined mathematically.  
5. This range also applies to each input individually.

# TLC272, TLC272A, TLC272B, TLC272Y, TLC277 LinCMOS™ PRECISION DUAL OPERATIONAL AMPLIFIERS

SLOS091B – OCTOBER 1987 – REVISED AUGUST 1994

## electrical characteristics at specified free-air temperature, $V_{DD} = 10\text{ V}$ (unless otherwise noted)

| PARAMETER      |  | TEST CONDITIONS                       |  | $T_A$ †                                    | TLC272I, TLC272AI,<br>TLC272BI, TLC277I |             |                              | UNIT          |
|----------------|--|---------------------------------------|--|--|---|-------------|------------------------------|---------------|
|                |  |                                       |  |  | MIN                                     | TYP         | MAX                          |               |
| $V_{IO}$       | Input offset voltage   | TLC272I                               | $V_O = 1.4\text{ V},$<br>$R_S = 50\ \Omega,$ | $V_{IC} = 0,$<br>$R_L = 10\text{ k}\Omega$ | 25°C                                    | 1.1         | 10                           | mV            |
|                |  |                                       |  |  | Full range                              |             | 13                           |               |
|                |  | TLC272AI                              | $V_O = 1.4\text{ V},$<br>$R_S = 50\ \Omega,$ | $V_{IC} = 0,$<br>$R_L = 10\text{ k}\Omega$ | 25°C                                    | 0.9         | 5                            | mV            |
|                |  |                                       |  |  | Full range                              |             | 7                            |               |
|                |  | TLC272BI                              | $V_O = 1.4\text{ V},$<br>$R_S = 50\ \Omega,$ | $V_{IC} = 0,$<br>$R_L = 10\text{ k}\Omega$ | 25°C                                    | 290         | 2000                         | $\mu\text{V}$ |
|                |  |                                       |  |  | Full range                              |             | 3500                         |               |
|                |  | TLC277I                               | $V_O = 1.4\text{ V},$<br>$R_S = 50\ \Omega,$ | $V_{IC} = 0,$<br>$R_L = 10\text{ k}\Omega$ | 25°C                                    | 250         | 800                          | $\mu\text{V}$ |
|                |  |                                       |  |  | Full range                              |             | 2900                         |               |
| $\alpha_{VIO}$ | Temperature coefficient of input offset voltage                  |                                       |  | 25°C to 85°C                               | 2                                       |             | $\mu\text{V}/^\circ\text{C}$ |               |
| $I_{IO}$       | Input offset current (see Note 4)                                | $V_O = 5\text{ V},$                   | $V_{IC} = 5\text{ V}$                        | 25°C                                       | 0.1                                     |             | pA                           |               |
|                |  |                                       |  | 85°C                                       | 26                                      | 1000        |                              |               |
| $I_{IB}$       | Input bias current (see Note 4)                                  | $V_O = 5\text{ V},$                   | $V_{IC} = 5\text{ V}$                        | 25°C                                       | 0.7                                     |             | pA                           |               |
|                |  |                                       |  | 85°C                                       | 220                                     | 2000        |                              |               |
| $V_{ICR}$      | Common-mode input voltage range (see Note 5)                     |                                       |  | 25°C                                       | -0.2 to 9                               | -0.3 to 9.2 | V                            |               |
|                |  |                                       |  | Full range                                 | -0.2 to 8.5                             |             | V                            |               |
| $V_{OH}$       | High-level output voltage  | $V_{ID} = 100\text{ mV},$             | $R_L = 10\text{ k}\Omega$                    | 25°C                                       | 8                                       | 8.5         | V                            |               |
|                |  |                                       |  | -40°C                                      | 7.8                                     | 8.5         |                              |               |
|                |  |                                       |  | 85°C                                       | 7.8                                     | 8.5         |                              |               |
| $V_{OL}$       | Low-level output voltage   | $V_{ID} = -100\text{ mV},$            | $I_{OL} = 0$                                 | 25°C                                       | 0                                       | 50          | mV                           |               |
|                |  |                                       |  | -40°C                                      | 0                                       | 50          |                              |               |
|                |  |                                       |  | 85°C                                       | 0                                       | 50          |                              |               |
| $A_{VD}$       | Large-signal differential voltage amplification                  | $V_O = 1\text{ V to }6\text{ V},$     | $R_L = 10\text{ k}\Omega$                    | 25°C                                       | 10                                      | 36          | V/mV                         |               |
|                |  |                                       |  | -40°C                                      | 7                                       | 46          |                              |               |
|                |  |                                       |  | 85°C                                       | 7                                       | 31          |                              |               |
| CMRR           | Common-mode rejection ratio                                      | $V_{IC} = V_{ICRmin}$                 |  | 25°C                                       | 65                                      | 85          | dB                           |               |
|                |  |                                       |  | -40°C                                      | 60                                      | 87          |                              |               |
|                |  |                                       |  | 85°C                                       | 60                                      | 88          |                              |               |
| $k_{SVR}$      | Supply-voltage rejection ratio ( $\Delta V_{DD}/\Delta V_{IO}$ ) | $V_{DD} = 5\text{ V to }10\text{ V},$ | $V_O = 1.4\text{ V}$                         | 25°C                                       | 65                                      | 95          | dB                           |               |
|                |  |                                       |  | -40°C                                      | 60                                      | 92          |                              |               |
|                |  |                                       |  | 85°C                                       | 60                                      | 96          |                              |               |
| $I_{DD}$       | Supply current (two amplifiers)                                  | $V_O = 5\text{ V},$<br>No load        | $V_{IC} = 5\text{ V},$                       | 25°C                                       | 1.4                                     | 4           | mA                           |               |
|                |  |                                       |  | -40°C                                      | 2.8                                     | 5           |                              |               |
|                |  |                                       |  | 85°C                                       | 1.5                                     | 3.2         |                              |               |

† Full range is -40°C to 85°C.

NOTES: 4. The typical values of input bias current and input offset current below 5 pA were determined mathematically.

5. This range also applies to each input individually.



# TLC272, TLC272A, TLC272B, TLC272Y, TLC277 LinCMOS™ PRECISION DUAL OPERATIONAL AMPLIFIERS

SLOS091B – OCTOBER 1987 – REVISED AUGUST 1994

**electrical characteristics at specified free-air temperature,  $V_{DD} = 5\text{ V}$  (unless otherwise noted)**

| PARAMETER      |  | TEST CONDITIONS                        |  | $T_A$ †                                     | TLC272M, TLC277M |             |                              | UNIT          |
|----------------|--|--|--|---|------------------|-------------|------------------------------|---------------|
|                |  |  |  |   | MIN              | TYP         | MAX                          |               |
| $V_{IO}$       | Input offset voltage   | TLC272M                                | $V_O = 1.4\text{ V}$ ,<br>$R_S = 50\ \Omega$ , | $V_{IC} = 0$ ,<br>$R_L = 10\text{ k}\Omega$ | 25°C             | 1.1         | 10                           | mV            |
|                |  |  |  |   | Full range       |             | 12                           |               |
|                |  | TLC277M                                | $V_O = 1.4\text{ V}$ ,<br>$R_S = 50\ \Omega$ , | $V_{IC} = 0$ ,<br>$R_L = 10\text{ k}\Omega$ | 25°C             | 200         | 500                          | $\mu\text{V}$ |
|                |  |  |  |   | Full range       |             | 3750                         |               |
| $\alpha_{VIO}$ | Temperature coefficient of input offset voltage                  |  |  | 25°C to 125°C                               | 2.1              |             | $\mu\text{V}/^\circ\text{C}$ |               |
| $I_{IO}$       | Input offset current (see Note 4)                                | $V_O = 2.5\text{ V}$                   | $V_{IC} = 2.5\text{ V}$                        | 25°C  | 0.1              |             | pA                           |               |
|                |  |  |  | 125°C                                       | 1.4              | 15          | nA                           |               |
| $I_{IB}$       | Input bias current (see Note 4)                                  | $V_O = 2.5\text{ V}$                   | $V_{IC} = 2.5\text{ V}$                        | 25°C  | 0.6              |             | pA                           |               |
|                |  |  |  | 125°C                                       | 9                | 35          | nA                           |               |
| $V_{ICR}$      | Common-mode input voltage range (see Note 5)                     |  |  | 25°C  | 0 to 4           | -0.3 to 4.2 | V                            |               |
|                |  |  |  | Full range                                  | 0 to 3.5         |             | V                            |               |
| $V_{OH}$       | High-level output voltage  | $V_{ID} = 100\text{ mV}$ ,             | $R_L = 10\text{ k}\Omega$                      | 25°C  | 3.2              | 3.8         | V                            |               |
|                |  |  |  | -55°C                                       | 3                | 3.8         |                              |               |
|                |  |  |  | 125°C                                       | 3                | 3.8         |                              |               |
| $V_{OL}$       | Low-level output voltage   | $V_{ID} = -100\text{ mV}$ ,            | $I_{OL} = 0$                                   | 25°C  | 0                | 50          | mV                           |               |
|                |  |  |  | -55°C                                       | 0                | 50          |                              |               |
|                |  |  |  | 125°C                                       | 0                | 50          |                              |               |
| $A_{VD}$       | Large-signal differential voltage amplification                  | $V_O = 0.25\text{ V to }2\text{ V}$    | $R_L = 10\text{ k}\Omega$                      | 25°C  | 5                | 23          | V/mV                         |               |
|                |  |  |  | -55°C                                       | 3.5              | 35          |                              |               |
|                |  |  |  | 125°C                                       | 3.5              | 16          |                              |               |
| CMRR           | Common-mode rejection ratio                                      | $V_{IC} = V_{ICRmin}$                  |  | 25°C  | 65               | 80          | dB                           |               |
|                |  |  |  | -55°C                                       | 60               | 81          |                              |               |
|                |  |  |  | 125°C                                       | 60               | 84          |                              |               |
| $k_{SVR}$      | Supply-voltage rejection ratio ( $\Delta V_{DD}/\Delta V_{IO}$ ) | $V_{DD} = 5\text{ V to }10\text{ V}$ , | $V_O = 1.4\text{ V}$                           | 25°C  | 65               | 95          | dB                           |               |
|                |  |  |  | -55°C                                       | 60               | 90          |                              |               |
|                |  |  |  | 125°C                                       | 60               | 97          |                              |               |
| $I_{DD}$       | Supply current (two amplifiers)                                  | $V_O = 2.5\text{ V}$ ,<br>No load      | $V_{IC} = 2.5\text{ V}$ ,                      | 25°C  | 1.4              | 3.2         | mA                           |               |
|                |  |  |  | -55°C                                       | 2                | 5           |                              |               |
|                |  |  |  | 125°C                                       | 1                | 2.2         |                              |               |

† Full range is -55°C to 125°C.

NOTES: 4. The typical values of input bias current and input offset current below 5 pA were determined mathematically.

5. This range also applies to each input individually.

# TLC272, TLC272A, TLC272B, TLC272Y, TLC277 LinCMOS™ PRECISION DUAL OPERATIONAL AMPLIFIERS

SLOS091B – OCTOBER 1987 – REVISED AUGUST 1994

## electrical characteristics at specified free-air temperature, $V_{DD} = 10\text{ V}$ (unless otherwise noted)

| PARAMETER      |  | TEST CONDITIONS                              | $T_A$ †                                      | TLC272M, TLC277M                            |            |                              | UNIT |               |
|----------------|--|--|--|---|------------|------------------------------|------|---------------|
|                |  |  |  | MIN   | TYP        | MAX                          |      |               |
| $V_{IO}$       | Input offset voltage   | $V_O = 1.4\text{ V}$ ,<br>$R_S = 50\ \Omega$ | $V_{IC} = 0$ ,<br>$R_L = 10\text{ k}\Omega$  | 25°C  | 1.1        | 10                           | mV   |               |
|                |  |  |  | Full range                                  |            | 12                           |      |               |
|                |  | TLC277M                                      | $V_O = 1.4\text{ V}$ ,<br>$R_S = 50\ \Omega$ | $V_{IC} = 0$ ,<br>$R_L = 10\text{ k}\Omega$ | 25°C       | 250                          | 800  | $\mu\text{V}$ |
|                |  |  |  |   | Full range |                              | 4300 |               |
| $\alpha_{VIO}$ | Temperature coefficient of input offset voltage                  |  | 25°C to 125°C                                | 2.2   |            | $\mu\text{V}/^\circ\text{C}$ |      |               |
| $I_{IO}$       | Input offset current (see Note 4)                                | $V_O = 5\text{ V}$                           | $V_{IC} = 5\text{ V}$                        | 25°C  | 0.1        |                              | pA   |               |
|                |  |  |  | 125°C                                       | 1.8        | 15                           | nA   |               |
| $I_{IB}$       | Input bias current (see Note 4)                                  | $V_O = 5\text{ V}$                           | $V_{IC} = 5\text{ V}$                        | 25°C  | 0.7        |                              | pA   |               |
|                |  |  |  | 125°C                                       | 10         | 35                           | nA   |               |
| $V_{ICR}$      | Common-mode input voltage range (see Note 5)                     |  |  | 25°C  | 0 to 9     | -0.3 to 9.2                  | V    |               |
|                |  |  |  | Full range                                  | 0 to 8.5   |                              | V    |               |
| $V_{OH}$       | High-level output voltage  | $V_{ID} = 100\text{ mV}$                     | $R_L = 10\text{ k}\Omega$                    | 25°C  | 8          | 8.5                          | V    |               |
|                |  |  |  | -55°C                                       | 7.8        | 8.5                          |      |               |
|                |  |  |  | 125°C                                       | 7.8        | 8.4                          |      |               |
| $V_{OL}$       | Low-level output voltage   | $V_{ID} = -100\text{ mV}$                    | $I_{OL} = 0$                                 | 25°C  |            | 0 to 50                      | mV   |               |
|                |  |  |  | -55°C                                       |            | 0 to 50                      |      |               |
|                |  |  |  | 125°C                                       |            | 0 to 50                      |      |               |
| $A_{VD}$       | Large-signal differential voltage amplification                  | $V_O = 1\text{ V to }6\text{ V}$             | $R_L = 10\text{ k}\Omega$                    | 25°C  | 10         | 36                           | V/mV |               |
|                |  |  |  | -55°C                                       | 7          | 50                           |      |               |
|                |  |  |  | 125°C                                       | 7          | 27                           |      |               |
| CMRR           | Common-mode rejection ratio                                      | $V_{IC} = V_{ICRmin}$                        |  | 25°C  | 65         | 85                           | dB   |               |
|                |  |  |  | -55°C                                       | 60         | 87                           |      |               |
|                |  |  |  | 125°C                                       | 60         | 86                           |      |               |
| $k_{SVR}$      | Supply-voltage rejection ratio ( $\Delta V_{DD}/\Delta V_{IO}$ ) | $V_{DD} = 5\text{ V to }10\text{ V}$         | $V_O = 1.4\text{ V}$                         | 25°C  | 65         | 95                           | dB   |               |
|                |  |  |  | -55°C                                       | 60         | 90                           |      |               |
|                |  |  |  | 125°C                                       | 60         | 97                           |      |               |
| $I_{DD}$       | Supply current (two amplifiers)                                  | $V_O = 5\text{ V}$ ,<br>No load              | $V_{IC} = 5\text{ V}$                        | 25°C  | 1.9        | 4                            | mA   |               |
|                |  |  |  | -55°C                                       | 3          | 6                            |      |               |
|                |  |  |  | 125°C                                       | 1.3        | 2.8                          |      |               |

† Full range is -55°C to 125°C.

NOTES: 4. The typical values of input bias current and input offset current below 5 pA were determined mathematically.

5. This range also applies to each input individually.

# TLC272, TLC272A, TLC272B, TLC272Y, TLC277 LinCMOS™ PRECISION DUAL OPERATIONAL AMPLIFIERS

SLOS091B – OCTOBER 1987 – REVISED AUGUST 1994

## electrical characteristics, $V_{DD} = 5\text{ V}$ , $T_A = 25^\circ\text{C}$ (unless otherwise noted)

| PARAMETER  | TEST CONDITIONS  | TLC272Y         |                   |     | UNIT                         |
|--|--|-----------------|-------------------|-----|------------------------------|
|  |  | MIN             | TYP               | MAX |                              |
| $V_{IO}$ Input offset voltage  | $V_O = 1.4\text{ V}$ ,<br>$R_S = 50\ \Omega$ ,<br>$V_{IC} = 0$ ,<br>$R_L = 10\ \text{k}\Omega$ |                 | 1.1               | 10  | mV                           |
| $\alpha_{VIO}$ Temperature coefficient of input offset voltage             |  |                 | 1.8               |     | $\mu\text{V}/^\circ\text{C}$ |
| $I_{IO}$ Input offset current (see Note 4)                                 | $V_O = 2.5\text{ V}$ ,<br>$V_{IC} = 2.5\text{ V}$  |                 | 0.1               |     | pA                           |
| $I_{IB}$ Input bias current (see Note 4)                                   | $V_O = 2.5\text{ V}$ ,<br>$V_{IC} = 2.5\text{ V}$  |                 | 0.6               |     | pA                           |
| $V_{ICR}$ Common-mode input voltage range (see Note 5)                     |  | -0.2<br>to<br>4 | -0.3<br>to<br>4.2 |     | V                            |
| $V_{OH}$ High-level output voltage   | $V_{ID} = 100\text{ mV}$ ,<br>$R_L = 10\ \text{k}\Omega$                                       | 3.2             | 3.8               |     | V                            |
| $V_{OL}$ Low-level output voltage  | $V_{ID} = -100\text{ mV}$ ,<br>$I_{OL} = 0$  |                 | 0                 | 50  | mV                           |
| $A_{VD}$ Large-signal differential voltage amplification                   | $V_O = 0.25\text{ V to }2\text{ V}$ ,<br>$R_L = 10\ \text{k}\Omega$                            | 5               | 23                |     | V/mV                         |
| CMRR Common-mode rejection ratio   | $V_{IC} = V_{ICRmin}$  | 65              | 80                |     | dB                           |
| $k_{SVR}$ Supply-voltage rejection ratio ( $\Delta V_{DD}/\Delta V_{IO}$ ) | $V_{DD} = 5\text{ V to }10\text{ V}$ ,<br>$V_O = 1.4\text{ V}$                                 | 65              | 95                |     | dB                           |
| $I_{DD}$ Supply current (two amplifiers)                                   | $V_O = 2.5\text{ V}$ ,<br>No load<br>$V_{IC} = 2.5\text{ V}$                                   |                 | 1.4               | 3.2 | mA                           |

NOTES: 4. The typical values of input bias current and input offset current below 5 pA were determined mathematically.  
5. This range also applies to each input individually.

## electrical characteristics, $V_{DD} = 10\text{ V}$ , $T_A = 25^\circ\text{C}$ (unless otherwise noted)

| PARAMETER  | TEST CONDITIONS  | TLC272Y         |                   |     | UNIT                         |
|--|--|-----------------|-------------------|-----|------------------------------|
|  |  | MIN             | TYP               | MAX |                              |
| $V_{IO}$ Input offset voltage  | $V_O = 1.4\text{ V}$ ,<br>$R_S = 50\ \Omega$ ,<br>$V_{IC} = 0$ ,<br>$R_L = 10\ \text{k}\Omega$ |                 | 1.1               | 10  | mV                           |
| $\alpha_{VIO}$ Temperature coefficient of input offset voltage             |  |                 | 1.8               |     | $\mu\text{V}/^\circ\text{C}$ |
| $I_{IO}$ Input offset current (see Note 4)                                 | $V_O = 5\text{ V}$ ,<br>$V_{IC} = 5\text{ V}$  |                 | 0.1               |     | pA                           |
| $I_{IB}$ Input bias current (see Note 4)                                   | $V_O = 5\text{ V}$ ,<br>$V_{IC} = 5\text{ V}$  |                 | 0.7               |     | pA                           |
| $V_{ICR}$ Common-mode input voltage range (see Note 5)                     |  | -0.2<br>to<br>9 | -0.3<br>to<br>9.2 |     | V                            |
| $V_{OH}$ High-level output voltage   | $V_{ID} = 100\text{ mV}$ ,<br>$R_L = 10\ \text{k}\Omega$                                       | 8               | 8.5               |     | V                            |
| $V_{OL}$ Low-level output voltage  | $V_{ID} = -100\text{ mV}$ ,<br>$I_{OL} = 0$  |                 | 0                 | 50  | mV                           |
| $A_{VD}$ Large-signal differential voltage amplification                   | $V_O = 1\text{ V to }6\text{ V}$ ,<br>$R_L = 10\ \text{k}\Omega$                               | 10              | 36                |     | V/mV                         |
| CMRR Common-mode rejection ratio   | $V_{IC} = V_{ICRmin}$  | 65              | 85                |     | dB                           |
| $k_{SVR}$ Supply-voltage rejection ratio ( $\Delta V_{DD}/\Delta V_{IO}$ ) | $V_{DD} = 5\text{ V to }10\text{ V}$ ,<br>$V_O = 1.4\text{ V}$                                 | 65              | 95                |     | dB                           |
| $I_{DD}$ Supply current (two amplifiers)                                   | $V_O = 5\text{ V}$ ,<br>No load<br>$V_{IC} = 5\text{ V}$                                       |                 | 1.9               | 4   | mA                           |

NOTES: 4. The typical values of input bias current and input offset current below 5 pA were determined mathematically.  
5. This range also applies to each input individually.

# TLC272, TLC272A, TLC272B, TLC272Y, TLC277 LinCMOS™ PRECISION DUAL OPERATIONAL AMPLIFIERS

SLOS091B – OCTOBER 1987 – REVISED AUGUST 1994

## operating characteristics at specified free-air temperature, $V_{DD} = 5\text{ V}$

| PARAMETER                               | TEST CONDITIONS   | $T_A$                                  | TLC272C, TLC272AC,<br>TLC272BC, TLC277C |     |     | UNIT                   |
|---|---|--|---|-----|-----|------------------------|
|   |   |  | MIN                                     | TYP | MAX |                        |
| SR Slew rate at unity gain              | $R_L = 10\text{ k}\Omega$ ,<br>$C_L = 20\text{ pF}$ ,<br>See Figure 1 | $V_{Ipp} = 1\text{ V}$                 | 25°C                                    | 3.6 |     | V/ $\mu$ s             |
|   |   |  | 0°C                                     | 4   |     |                        |
|   |   |  | 70°C                                    | 3   |     |                        |
|   |   | $V_{Ipp} = 2.5\text{ V}$               | 25°C                                    | 2.9 |     |                        |
|   |   |  | 0°C                                     | 3.1 |     |                        |
|   |   |  | 70°C                                    | 2.5 |     |                        |
| $V_n$ Equivalent input noise voltage    | $f = 1\text{ kHz}$ ,<br>See Figure 2                                  | $R_S = 20\ \Omega$                     | 25°C                                    | 25  |     | nV/ $\sqrt{\text{Hz}}$ |
| $B_{OM}$ Maximum output-swing bandwidth | $V_O = V_{OH}$ ,<br>$R_L = 10\text{ k}\Omega$ ,<br>See Figure 1       | $C_L = 20\text{ pF}$ ,<br>See Figure 1 | 25°C                                    | 320 |     | kHz                    |
|   |   |  | 0°C                                     | 340 |     |                        |
|   |   |  | 70°C                                    | 260 |     |                        |
| $B_1$ Unity-gain bandwidth              | $V_I = 10\text{ mV}$ ,<br>See Figure 3                                | $C_L = 20\text{ pF}$                   | 25°C                                    | 1.7 |     | MHz                    |
|   |   |  | 0°C                                     | 2   |     |                        |
|   |   |  | 70°C                                    | 1.3 |     |                        |
| $\phi_m$ Phase margin                   | $V_I = 10\text{ mV}$ ,<br>$C_L = 20\text{ pF}$ ,                      | $f = B_1$ ,<br>See Figure 3            | 25°C                                    | 46° |     |                        |
|   |   |  | 0°C                                     | 47° |     |                        |
|   |   |  | 70°C                                    | 43° |     |                        |

## operating characteristics at specified free-air temperature, $V_{DD} = 10\text{ V}$

| PARAMETER                               | TEST CONDITIONS   | $T_A$                                  | TLC272C, TLC272AC,<br>TLC272BC, TLC277C |     |     | UNIT                   |
|---|---|--|---|-----|-----|------------------------|
|   |   |  | MIN                                     | TYP | MAX |                        |
| SR Slew rate at unity gain              | $R_L = 10\text{ k}\Omega$ ,<br>$C_L = 20\text{ pF}$ ,<br>See Figure 1 | $V_{Ipp} = 1\text{ V}$                 | 25°C                                    | 5.3 |     | V/ $\mu$ s             |
|   |   |  | 0°C                                     | 5.9 |     |                        |
|   |   |  | 70°C                                    | 4.3 |     |                        |
|   |   | $V_{Ipp} = 5.5\text{ V}$               | 25°C                                    | 4.6 |     |                        |
|   |   |  | 0°C                                     | 5.1 |     |                        |
|   |   |  | 70°C                                    | 3.8 |     |                        |
| $V_n$ Equivalent input noise voltage    | $f = 1\text{ kHz}$ ,<br>See Figure 2                                  | $R_S = 20\ \Omega$                     | 25°C                                    | 25  |     | nV/ $\sqrt{\text{Hz}}$ |
| $B_{OM}$ Maximum output-swing bandwidth | $V_O = V_{OH}$ ,<br>$R_L = 10\text{ k}\Omega$ ,<br>See Figure 1       | $C_L = 20\text{ pF}$ ,<br>See Figure 1 | 25°C                                    | 200 |     | kHz                    |
|   |   |  | 0°C                                     | 220 |     |                        |
|   |   |  | 70°C                                    | 140 |     |                        |
| $B_1$ Unity-gain bandwidth              | $V_I = 10\text{ mV}$ ,<br>See Figure 3                                | $C_L = 20\text{ pF}$                   | 25°C                                    | 2.2 |     | MHz                    |
|   |   |  | 0°C                                     | 2.5 |     |                        |
|   |   |  | 70°C                                    | 1.8 |     |                        |
| $\phi_m$ Phase margin                   | $V_I = 10\text{ mV}$ ,<br>$C_L = 20\text{ pF}$ ,                      | $f = B_1$ ,<br>See Figure 3            | 25°C                                    | 49° |     |                        |
|   |   |  | 0°C                                     | 50° |     |                        |
|   |   |  | 70°C                                    | 46° |     |                        |

# TLC272, TLC272A, TLC272B, TLC272Y, TLC277 LinCMOS™ PRECISION DUAL OPERATIONAL AMPLIFIERS

SLOS091B – OCTOBER 1987 – REVISED AUGUST 1994

## operating characteristics at specified free-air temperature, $V_{DD} = 5\text{ V}$

| PARAMETER                                      | TEST CONDITIONS  | $T_A$                                  | TLC272I, TLC272AI,<br>TLC272BI, TLC277I |     |                        | UNIT       |
|--|--|--|---|-----|------------------------|------------|
|  |  |  | MIN                                     | TYP | MAX                    |            |
| SR      Slew rate at unity gain                | $R_L = 10\text{ k}\Omega$ ,<br>$C_L = 20\text{ pF}$ ,<br>See Figure 1  | $V_{I\text{PP}} = 1\text{ V}$          | 25°C                                    | 3.6 |                        | V/ $\mu$ s |
|  |  |  | -40°C                                   | 4.5 |                        |            |
|  |  |  | 85°C                                    | 2.8 |                        |            |
|  |  | $V_{I\text{PP}} = 2.5\text{ V}$        | 25°C                                    | 2.9 |                        |            |
|  |  |  | -40°C                                   | 3.5 |                        |            |
|  |  |  | 85°C                                    | 2.3 |                        |            |
| $V_n$ Equivalent input noise voltage           | $f = 1\text{ kHz}$ ,<br>See Figure 2                                   | $R_S = 20\ \Omega$ ,<br>25°C           | 25                                      |     | nV/ $\sqrt{\text{Hz}}$ |            |
| $B_{\text{OM}}$ Maximum output-swing bandwidth | $V_O = V_{\text{OH}}$ ,<br>$R_L = 10\text{ k}\Omega$ ,<br>See Figure 1 | $C_L = 20\text{ pF}$ ,<br>See Figure 1 | 25°C                                    | 320 |                        | kHz        |
|  |  |  | -40°C                                   | 380 |                        |            |
|  |  |  | 85°C                                    | 250 |                        |            |
| $B_1$ Unity-gain bandwidth                     | $V_I = 10\text{ mV}$ ,<br>See Figure 3                                 | $C_L = 20\text{ pF}$ ,<br>See Figure 3 | 25°C                                    | 1.7 |                        | MHz        |
|  |  |  | -40°C                                   | 2.6 |                        |            |
|  |  |  | 85°C                                    | 1.2 |                        |            |
| $\phi_m$ Phase margin                          | $V_I = 10\text{ mV}$ ,<br>$C_L = 20\text{ pF}$ ,<br>See Figure 3       | $f = B_1$ ,<br>See Figure 3            | 25°C                                    | 46° |                        |            |
|  |  |  | -40°C                                   | 49° |                        |            |
|  |  |  | 85°C                                    | 43° |                        |            |

## operating characteristics at specified free-air temperature, $V_{DD} = 10\text{ V}$

| PARAMETER                                      | TEST CONDITIONS  | $T_A$                                  | TLC272I, TLC272AI,<br>TLC272BI, TLC277I |     |                        | UNIT       |
|--|--|--|---|-----|------------------------|------------|
|  |  |  | MIN                                     | TYP | MAX                    |            |
| SR      Slew rate at unity gain                | $R_L = 10\text{ k}\Omega$ ,<br>$C_L = 20\text{ pF}$ ,<br>See Figure 1  | $V_{I\text{PP}} = 1\text{ V}$          | 25°C                                    | 5.3 |                        | V/ $\mu$ s |
|  |  |  | -40°C                                   | 6.8 |                        |            |
|  |  |  | 85°C                                    | 4   |                        |            |
|  |  | $V_{I\text{PP}} = 5.5\text{ V}$        | 25°C                                    | 4.6 |                        |            |
|  |  |  | -40°C                                   | 5.8 |                        |            |
|  |  |  | 85°C                                    | 3.5 |                        |            |
| $V_n$ Equivalent input noise voltage           | $f = 1\text{ kHz}$ ,<br>See Figure 2                                   | $R_S = 20\ \Omega$ ,<br>25°C           | 25                                      |     | nV/ $\sqrt{\text{Hz}}$ |            |
| $B_{\text{OM}}$ Maximum output-swing bandwidth | $V_O = V_{\text{OH}}$ ,<br>$R_L = 10\text{ k}\Omega$ ,<br>See Figure 1 | $C_L = 20\text{ pF}$ ,<br>See Figure 1 | 25°C                                    | 200 |                        | kHz        |
|  |  |  | -40°C                                   | 260 |                        |            |
|  |  |  | 85°C                                    | 130 |                        |            |
| $B_1$ Unity-gain bandwidth                     | $V_I = 10\text{ mV}$ ,<br>See Figure 3                                 | $C_L = 20\text{ pF}$ ,<br>See Figure 3 | 25°C                                    | 2.2 |                        | MHz        |
|  |  |  | -40°C                                   | 3.1 |                        |            |
|  |  |  | 85°C                                    | 1.7 |                        |            |
| $\phi_m$ Phase margin                          | $V_I = 10\text{ mV}$ ,<br>$C_L = 20\text{ pF}$ ,<br>See Figure 3       | $f = B_1$ ,<br>See Figure 3            | 25°C                                    | 49° |                        |            |
|  |  |  | -40°C                                   | 52° |                        |            |
|  |  |  | 85°C                                    | 46° |                        |            |

# TLC272, TLC272A, TLC272B, TLC272Y, TLC277 LinCMOS™ PRECISION DUAL OPERATIONAL AMPLIFIERS

SLOS091B – OCTOBER 1987 – REVISED AUGUST 1994

## operating characteristics at specified free-air temperature, $V_{DD} = 5\text{ V}$

| PARAMETER                               | TEST CONDITIONS   | $T_A$                                  | TLC272M, TLC277M |     |     | UNIT                   |
|---|---|--|------------------|-----|-----|------------------------|
|   |   |  | MIN              | TYP | MAX |                        |
| SR Slew rate at unity gain              | $R_L = 10\text{ k}\Omega$ ,<br>$C_L = 20\text{ pF}$ ,<br>See Figure 1 | $V_{I_{PP}} = 1\text{ V}$              | 25°C             | 3.6 |     | V/ $\mu\text{s}$       |
|   |   |  | -55°C            | 4.7 |     |                        |
|   |   |  | 125°C            | 2.3 |     |                        |
|   |   | $V_{I_{PP}} = 2.5\text{ V}$            | 25°C             | 2.9 |     |                        |
|   |   |  | -55°C            | 3.7 |     |                        |
|   |   |  | 125°C            | 2   |     |                        |
| $V_n$ Equivalent input noise voltage    | $f = 1\text{ kHz}$ ,<br>See Figure 2                                  | $R_S = 20\ \Omega$                     | 25°C             | 25  |     | nV/ $\sqrt{\text{Hz}}$ |
| $B_{OM}$ Maximum output-swing bandwidth | $V_O = V_{OH}$ ,<br>$R_L = 10\text{ k}\Omega$ ,<br>See Figure 1       | $C_L = 20\text{ pF}$ ,<br>See Figure 1 | 25°C             | 320 |     | kHz                    |
|   |   |  | -55°C            | 400 |     |                        |
|   |   |  | 125°C            | 230 |     |                        |
| $B_1$ Unity-gain bandwidth              | $V_I = 10\text{ mV}$ ,<br>See Figure 3                                | $C_L = 20\text{ pF}$                   | 25°C             | 1.7 |     | MHz                    |
|   |   |  | -55°C            | 2.9 |     |                        |
|   |   |  | 125°C            | 1.1 |     |                        |
| $\phi_m$ Phase margin                   | $V_I = 10\text{ mV}$ ,<br>$C_L = 20\text{ pF}$ ,                      | $f = B_1$ ,<br>See Figure 3            | 25°C             | 46° |     |                        |
|   |   |  | -55°C            | 49° |     |                        |
|   |   |  | 125°C            | 41° |     |                        |

## operating characteristics at specified free-air temperature, $V_{DD} = 10\text{ V}$

| PARAMETER                               | TEST CONDITIONS   | $T_A$                                  | TLC272M, TLC277M |     |     | UNIT                   |
|---|---|--|------------------|-----|-----|------------------------|
|   |   |  | MIN              | TYP | MAX |                        |
| SR Slew rate at unity gain              | $R_L = 10\text{ k}\Omega$ ,<br>$C_L = 20\text{ pF}$ ,<br>See Figure 1 | $V_{I_{PP}} = 1\text{ V}$              | 25°C             | 5.3 |     | V/ $\mu\text{s}$       |
|   |   |  | -55°C            | 7.1 |     |                        |
|   |   |  | 125°C            | 3.1 |     |                        |
|   |   | $V_{I_{PP}} = 5.5\text{ V}$            | 25°C             | 4.6 |     |                        |
|   |   |  | -55°C            | 6.1 |     |                        |
|   |   |  | 125°C            | 2.7 |     |                        |
| $V_n$ Equivalent input noise voltage    | $f = 1\text{ kHz}$ ,<br>See Figure 2                                  | $R_S = 20\ \Omega$                     | 25°C             | 25  |     | nV/ $\sqrt{\text{Hz}}$ |
| $B_{OM}$ Maximum output-swing bandwidth | $V_O = V_{OH}$ ,<br>$R_L = 10\text{ k}\Omega$ ,<br>See Figure 1       | $C_L = 20\text{ pF}$ ,<br>See Figure 1 | 25°C             | 200 |     | kHz                    |
|   |   |  | -55°C            | 280 |     |                        |
|   |   |  | 125°C            | 110 |     |                        |
| $B_1$ Unity-gain bandwidth              | $V_I = 10\text{ mV}$ ,<br>See Figure 3                                | $C_L = 20\text{ pF}$                   | 25°C             | 2.2 |     | MHz                    |
|   |   |  | -55°C            | 3.4 |     |                        |
|   |   |  | 125°C            | 1.6 |     |                        |
| $\phi_m$ Phase margin                   | $V_I = 10\text{ mV}$ ,<br>$C_L = 20\text{ pF}$ ,                      | $f = B_1$ ,<br>See Figure 3            | 25°C             | 49° |     |                        |
|   |   |  | -55°C            | 52° |     |                        |
|   |   |  | 125°C            | 44° |     |                        |

**TLC272, TLC272A, TLC272B, TLC272Y, TLC277**  
**LinCMOS™ PRECISION DUAL OPERATIONAL AMPLIFIERS**

SLOS091B – OCTOBER 1987 – REVISED AUGUST 1994

**operating characteristics,  $V_{DD} = 5\text{ V}$ ,  $T_A = 25^\circ\text{C}$**

| PARAMETER       |                                | TEST CONDITIONS                             |                        |                                 | TLC272Y |     |     | UNIT                         |
|-----------------|--------------------------------|---|------------------------|---------------------------------|---------|-----|-----|------------------------------|
|                 |                                |   |                        |                                 | MIN     | TYP | MAX |                              |
| SR              | Slew rate at unity gain        | $R_L = 10\text{ k}\Omega$ ,<br>See Figure 1 | $C_L = 20\text{ pF}$   | $V_{I\text{PP}} = 1\text{ V}$   | 3.6     |     |     | $\text{V}/\mu\text{s}$       |
|                 |                                |   |                        | $V_{I\text{PP}} = 2.5\text{ V}$ | 2.9     |     |     |                              |
| $V_n$           | Equivalent input noise voltage | $f = 1\text{ kHz}$ ,                        | $R_S = 20\ \Omega$ ,   | See Figure 2                    | 25      |     |     | $\text{nV}/\sqrt{\text{Hz}}$ |
| $B_{\text{OM}}$ | Maximum output-swing bandwidth | $V_O = V_{\text{OH}}$ ,<br>See Figure 1     | $C_L = 20\text{ pF}$ , | $R_L = 10\text{ k}\Omega$ ,     | 320     |     |     | $\text{kHz}$                 |
| $B_1$           | Unity-gain bandwidth           | $V_I = 10\text{ mV}$ ,                      | $C_L = 20\text{ pF}$ , | See Figure 3                    | 1.7     |     |     | $\text{MHz}$                 |
| $\phi_m$        | Phase margin                   | $V_I = 10\text{ mV}$ ,<br>See Figure 3      | $f = B_1$ ,            | $C_L = 20\text{ pF}$ ,          | 46°     |     |     |                              |

**operating characteristics,  $V_{DD} = 10\text{ V}$ ,  $T_A = 25^\circ\text{C}$**

| PARAMETER       |                                | TEST CONDITIONS                             |                        |                                 | TLC272Y |     |     | UNIT                         |
|-----------------|--------------------------------|---|------------------------|---------------------------------|---------|-----|-----|------------------------------|
|                 |                                |   |                        |                                 | MIN     | TYP | MAX |                              |
| SR              | Slew rate at unity gain        | $R_L = 10\text{ k}\Omega$ ,<br>See Figure 1 | $C_L = 20\text{ pF}$   | $V_{I\text{PP}} = 1\text{ V}$   | 5.3     |     |     | $\text{V}/\mu\text{s}$       |
|                 |                                |   |                        | $V_{I\text{PP}} = 5.5\text{ V}$ | 4.6     |     |     |                              |
| $V_n$           | Equivalent input noise voltage | $f = 1\text{ kHz}$ ,                        | $R_S = 20\ \Omega$ ,   | See Figure 2                    | 25      |     |     | $\text{nV}/\sqrt{\text{Hz}}$ |
| $B_{\text{OM}}$ | Maximum output-swing bandwidth | $V_O = V_{\text{OH}}$ ,<br>See Figure 1     | $C_L = 20\text{ pF}$ , | $R_L = 10\text{ k}\Omega$ ,     | 200     |     |     | $\text{kHz}$                 |
| $B_1$           | Unity-gain bandwidth           | $V_I = 10\text{ mV}$ ,                      | $C_L = 20\text{ pF}$ , | See Figure 3                    | 2.2     |     |     | $\text{MHz}$                 |
| $\phi_m$        | Phase margin                   | $V_I = 10\text{ mV}$ ,<br>See Figure 3      | $f = B_1$ ,            | $C_L = 20\text{ pF}$ ,          | 49°     |     |     |                              |

# TLC272, TLC272A, TLC272B, TLC272Y, TLC277 LinCMOS™ PRECISION DUAL OPERATIONAL AMPLIFIERS

SLOS091B – OCTOBER 1987 – REVISED AUGUST 1994

## PARAMETER MEASUREMENT INFORMATION

### single-supply versus split-supply test circuits

Because the TLC272 and TLC277 are optimized for single-supply operation, circuit configurations used for the various tests often present some inconvenience since the input signal, in many cases, must be offset from ground. This inconvenience can be avoided by testing the device with split supplies and the output load tied to the negative rail. A comparison of single-supply versus split-supply test circuits is shown below. The use of either circuit gives the same result.

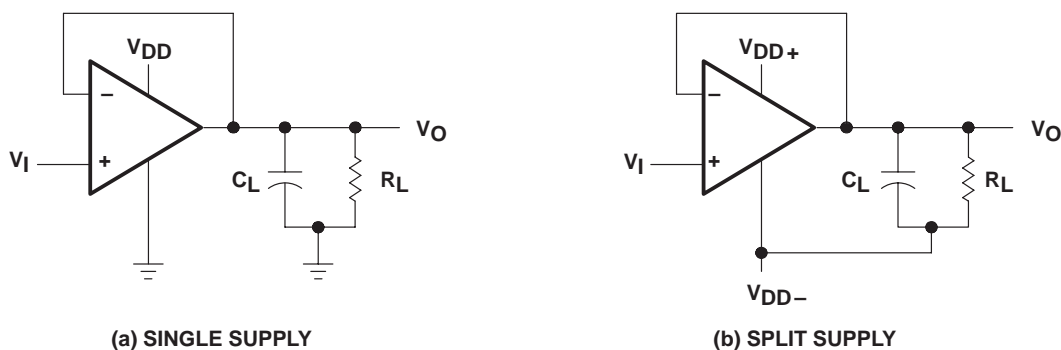


Figure 1. Unity-Gain Amplifier

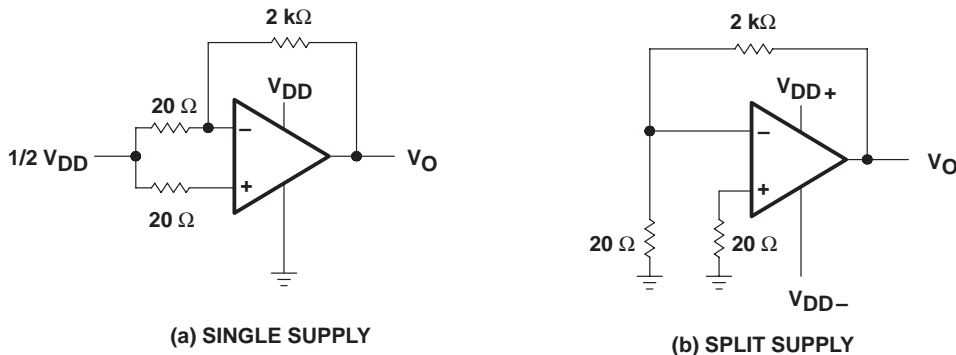


Figure 2. Noise-Test Circuit

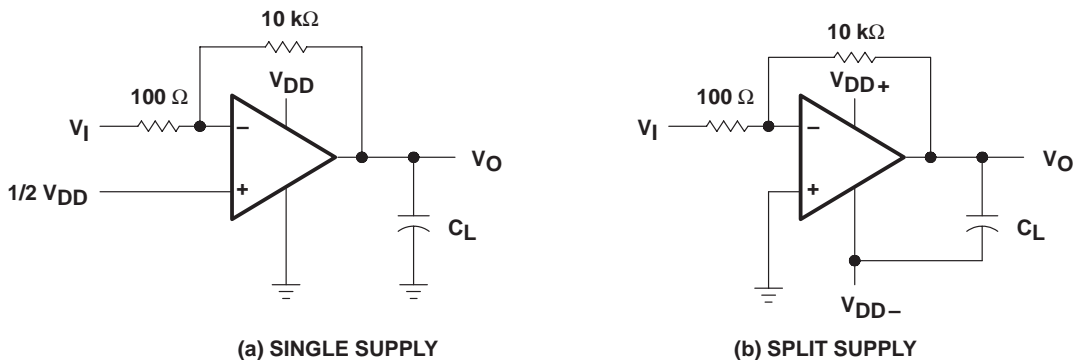


Figure 3. Gain-of-100 Inverting Amplifier



## PARAMETER MEASUREMENT INFORMATION

### input bias current

Because of the high input impedance of the TLC272 and TLC277 operational amplifiers, attempts to measure the input bias current can result in erroneous readings. The bias current at normal room ambient temperature is typically less than 1 pA, a value that is easily exceeded by leakages on the test socket. Two suggestions are offered to avoid erroneous measurements:

1. Isolate the device from other potential leakage sources. Use a grounded shield around and between the device inputs (see Figure 4). Leakages that would otherwise flow to the inputs are shunted away.
2. Compensate for the leakage of the test socket by actually performing an input bias current test (using a picoammeter) with no device in the test socket. The actual input bias current can then be calculated by subtracting the open-socket leakage readings from the readings obtained with a device in the test socket.

One word of caution: many automatic testers as well as some bench-top operational amplifier testers use the servo-loop technique with a resistor in series with the device input to measure the input bias current (the voltage drop across the series resistor is measured and the bias current is calculated). This method requires that a device be inserted into the test socket to obtain a correct reading; therefore, an open-socket reading is not feasible using this method.

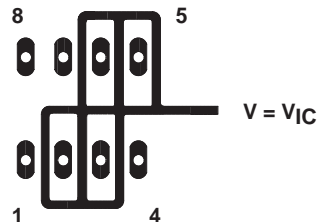


Figure 4. Isolation Metal Around Device Inputs  
 (JG and P packages)

### low-level output voltage

To obtain low-supply-voltage operation, some compromise was necessary in the input stage. This compromise results in the device low-level output being dependent on both the common-mode input voltage level as well as the differential input voltage level. When attempting to correlate low-level output readings with those quoted in the electrical specifications, these two conditions should be observed. If conditions other than these are to be used, please refer to Figures 14 through 19 in the Typical Characteristics of this data sheet.

### input offset voltage temperature coefficient

Erroneous readings often result from attempts to measure temperature coefficient of input offset voltage. This parameter is actually a calculation using input offset voltage measurements obtained at two different temperatures. When one (or both) of the temperatures is below freezing, moisture can collect on both the device and the test socket. This moisture results in leakage and contact resistance, which can cause erroneous input offset voltage readings. The isolation techniques previously mentioned have no effect on the leakage since the moisture also covers the isolation metal itself, thereby rendering it useless. It is suggested that these measurements be performed at temperatures above freezing to minimize error.

# TLC272, TLC272A, TLC272B, TLC272Y, TLC277 LinCMOS™ PRECISION DUAL OPERATIONAL AMPLIFIERS

SLOS091B – OCTOBER 1987 – REVISED AUGUST 1994

## PARAMETER MEASUREMENT INFORMATION

### full-power response

Full-power response, the frequency above which the operational amplifier slew rate limits the output voltage swing, is often specified two ways: full-linear response and full-peak response. The full-linear response is generally measured by monitoring the distortion level of the output while increasing the frequency of a sinusoidal input signal until the maximum frequency is found above which the output contains significant distortion. The full-peak response is defined as the maximum output frequency, without regard to distortion, above which full peak-to-peak output swing cannot be maintained.

Because there is no industry-wide accepted value for significant distortion, the full-peak response is specified in this data sheet and is measured using the circuit of Figure 1. The initial setup involves the use of a sinusoidal input to determine the maximum peak-to-peak output of the device (the amplitude of the sinusoidal wave is increased until clipping occurs). The sinusoidal wave is then replaced with a square wave of the same amplitude. The frequency is then increased until the maximum peak-to-peak output can no longer be maintained (Figure 5). A square wave is used to allow a more accurate determination of the point at which the maximum peak-to-peak output is reached.

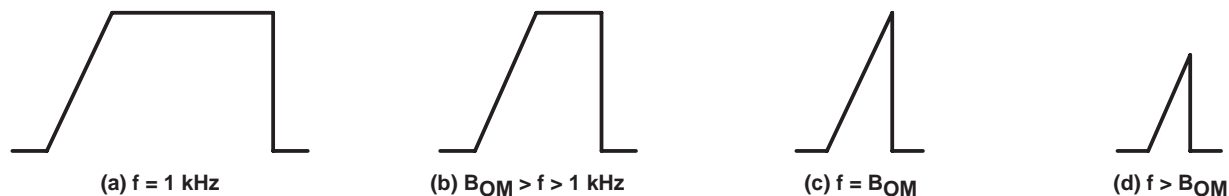


Figure 5. Full-Power-Response Output Signal

### test time

Inadequate test time is a frequent problem, especially when testing CMOS devices in a high-volume, short-test-time environment. Internal capacitances are inherently higher in CMOS than in bipolar and BiFET devices and require longer test times than their bipolar and BiFET counterparts. The problem becomes more pronounced with reduced supply levels and lower temperatures.

# TLC272, TLC272A, TLC272B, TLC272Y, TLC277 LinCMOS™ PRECISION DUAL OPERATIONAL AMPLIFIERS

SLOS091B – OCTOBER 1987 – REVISED AUGUST 1994

## TYPICAL CHARACTERISTICS

Table of Graphs

|                 |   | FIGURE                        |              |
|-----------------|---|-------------------------------|--------------|
| $V_{IO}$        | Input offset voltage                            | Distribution                  | 6, 7         |
| $\alpha V_{IO}$ | Temperature coefficient of input offset voltage | Distribution                  | 8, 9         |
| $V_{OH}$        | High-level output voltage                       | vs High-level output current  | 10, 11       |
|                 |   | vs Supply voltage             | 12           |
|                 |   | vs Free-air temperature       | 13           |
| $V_{OL}$        | Low-level output voltage                        | vs Common-mode input voltage  | 14, 15       |
|                 |   | vs Differential input voltage | 16           |
|                 |   | vs Free-air temperature       | 17           |
|                 |   | vs Low-level output current   | 18, 19       |
| $A_{VD}$        | Large-signal differential voltage amplification | vs Supply voltage             | 20           |
|                 |   | vs Free-air temperature       | 21           |
|                 |   | vs Frequency                  | 32, 33       |
| $I_{IB}$        | Input bias current                              | vs Free-air temperature       | 22           |
| $I_{IO}$        | Input offset current                            | vs Free-air temperature       | 22           |
| $V_{IC}$        | Common-mode input voltage                       | vs Supply voltage             | 23           |
| $I_{DD}$        | Supply current                                  | vs Supply voltage             | 24           |
|                 |   | vs Free-air temperature       | 25           |
| SR              | Slew rate                                       | vs Supply voltage             | 26           |
|                 |   | vs Free-air temperature       | 27           |
|                 | Normalized slew rate                            | vs Free-air temperature       | 28           |
| $V_{O(PP)}$     | Maximum peak-to-peak output voltage             | vs Frequency                  | 29           |
| $B_1$           | Unity-gain bandwidth                            | vs Free-air temperature       | 30           |
|                 |   | vs Supply voltage             | 31           |
| $\phi_m$        | Phase margin                                    | vs Supply voltage             | 34           |
|                 |   | vs Free-air temperature       | 35           |
|                 |   | vs Load capacitance           | 36           |
| $V_n$           | Equivalent input noise voltage                  | vs Frequency                  | 37           |
|                 |   | Phase shift                   | vs Frequency |

# TLC272, TLC272A, TLC272B, TLC272Y, TLC277 LinCMOS™ PRECISION DUAL OPERATIONAL AMPLIFIERS

SLOS091B – OCTOBER 1987 – REVISED AUGUST 1994

## TYPICAL CHARACTERISTICS

**DISTRIBUTION OF TLC272  
INPUT OFFSET VOLTAGE**

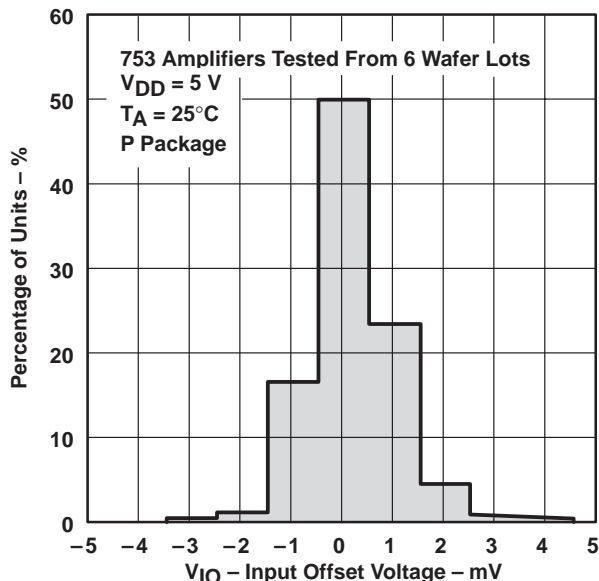


Figure 6

**DISTRIBUTION OF TLC272  
INPUT OFFSET VOLTAGE**

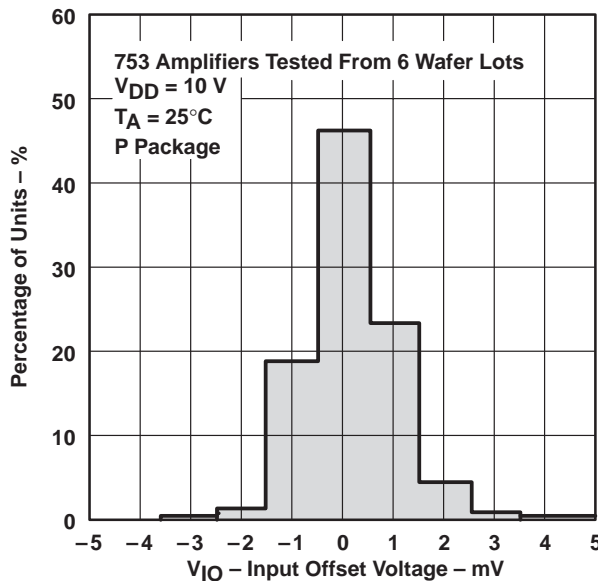


Figure 7

**DISTRIBUTION OF TLC272 AND TLC277  
INPUT OFFSET VOLTAGE  
TEMPERATURE COEFFICIENT**

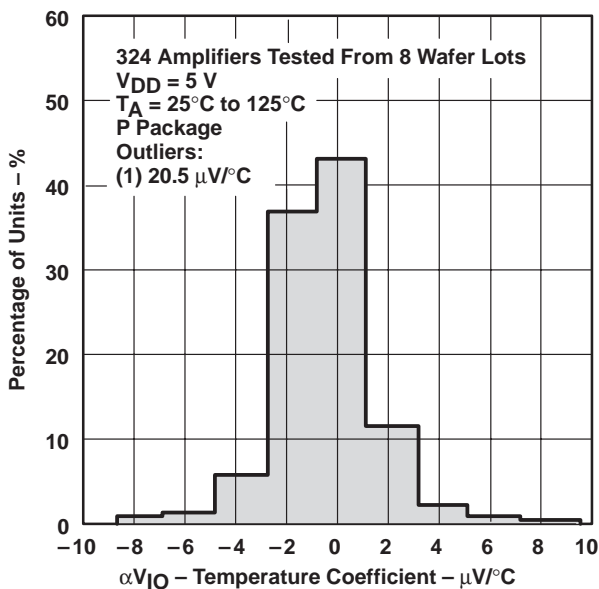


Figure 8

**DISTRIBUTION OF TLC272 AND TLC277  
INPUT OFFSET VOLTAGE  
TEMPERATURE COEFFICIENT**

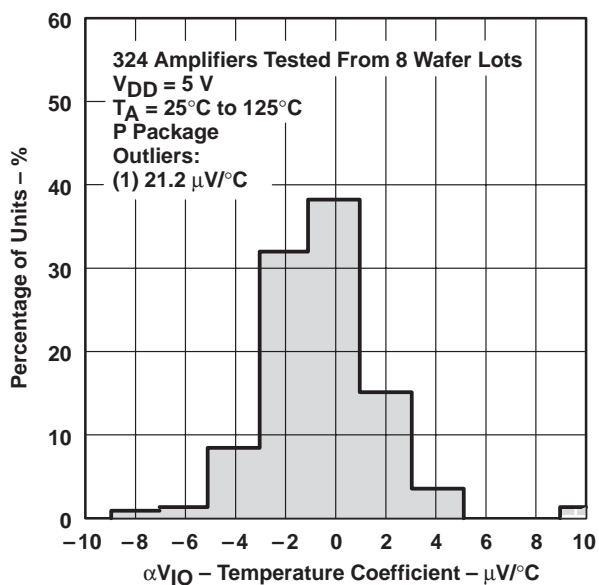
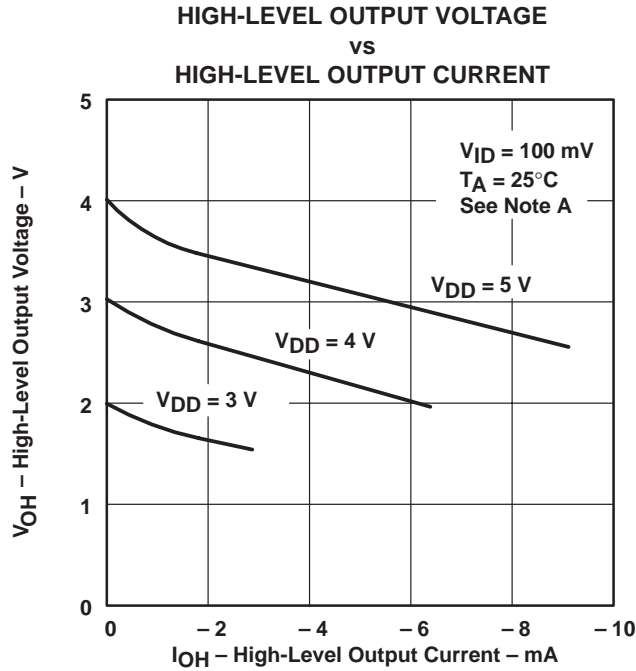


Figure 9

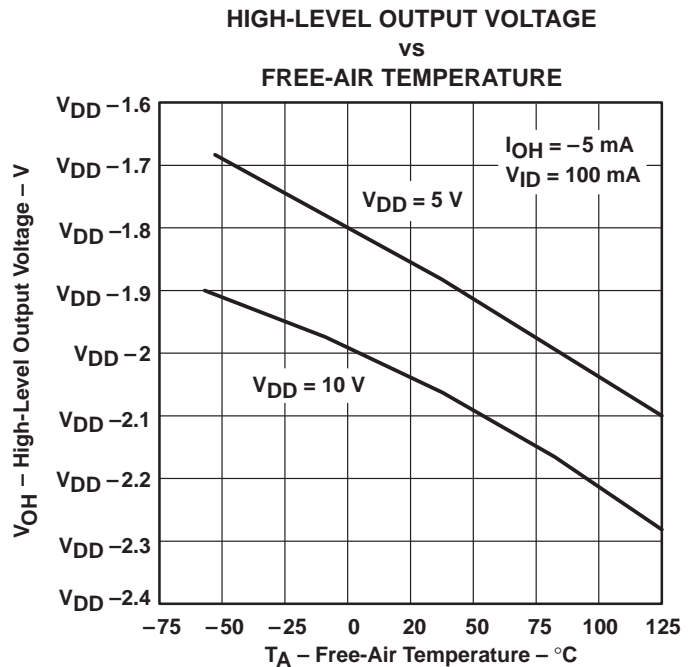
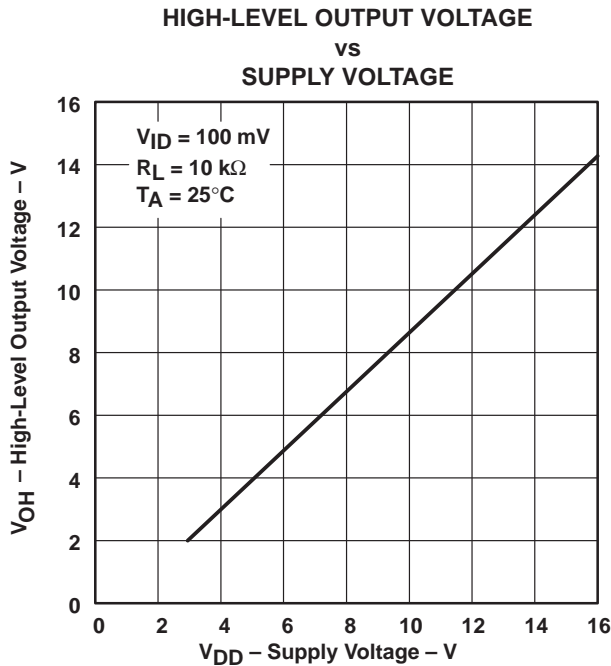
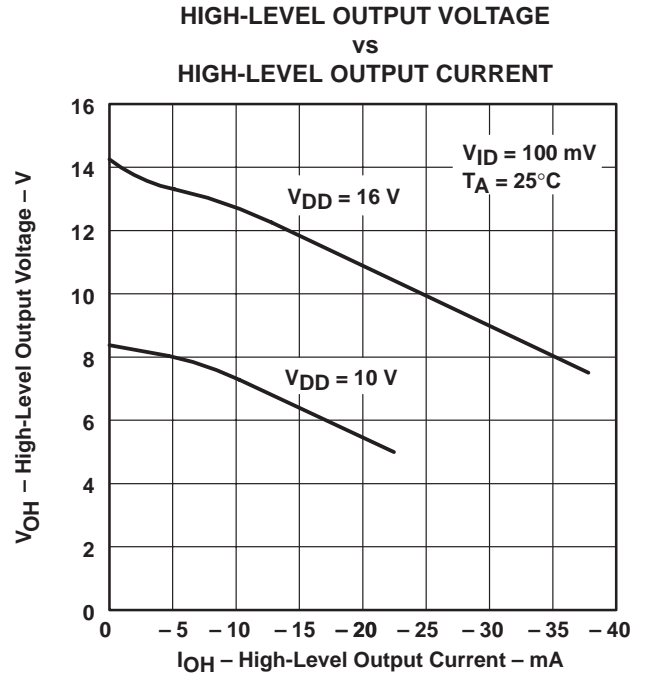
# TLC272, TLC272A, TLC272B, TLC272Y, TLC277 LinCMOS™ PRECISION DUAL OPERATIONAL AMPLIFIERS

SLOS091B – OCTOBER 1987 – REVISED AUGUST 1994

## TYPICAL CHARACTERISTICS†



NOTE A: The 3-V curve only applies to the C version.



† Data at high and low temperatures are applicable only within the rated operating free-air temperature ranges of the various devices.

# TLC272, TLC272A, TLC272B, TLC272Y, TLC277 LinCMOS™ PRECISION DUAL OPERATIONAL AMPLIFIERS

SLOS091B – OCTOBER 1987 – REVISED AUGUST 1994

## TYPICAL CHARACTERISTICS†

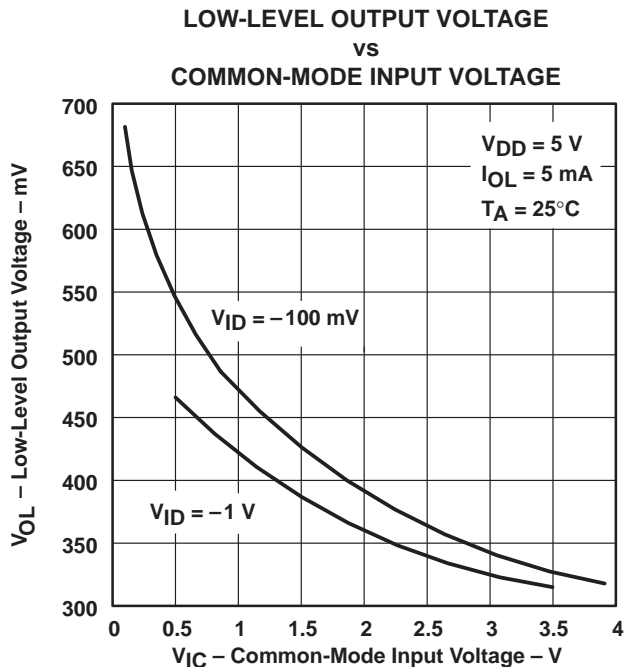


Figure 14

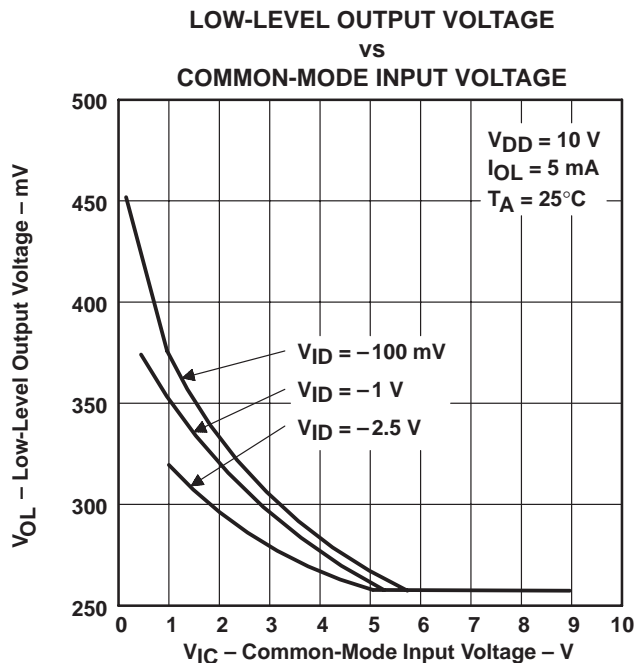


Figure 15

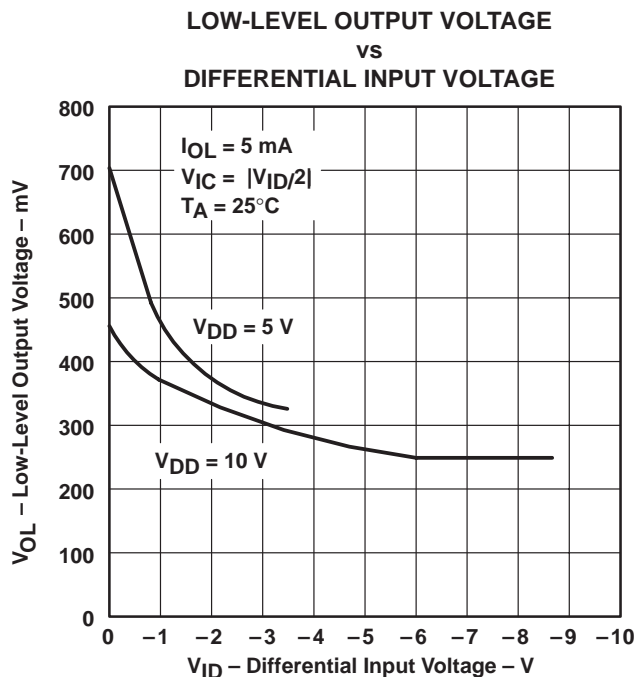


Figure 16

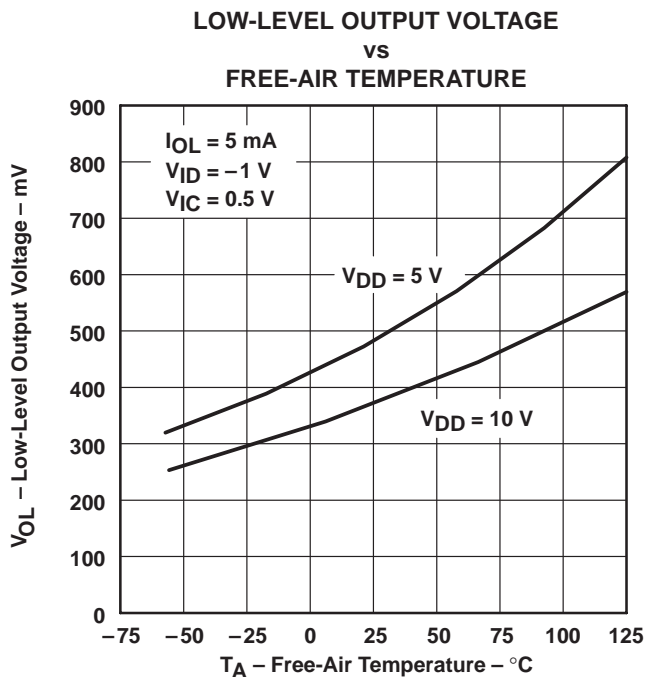


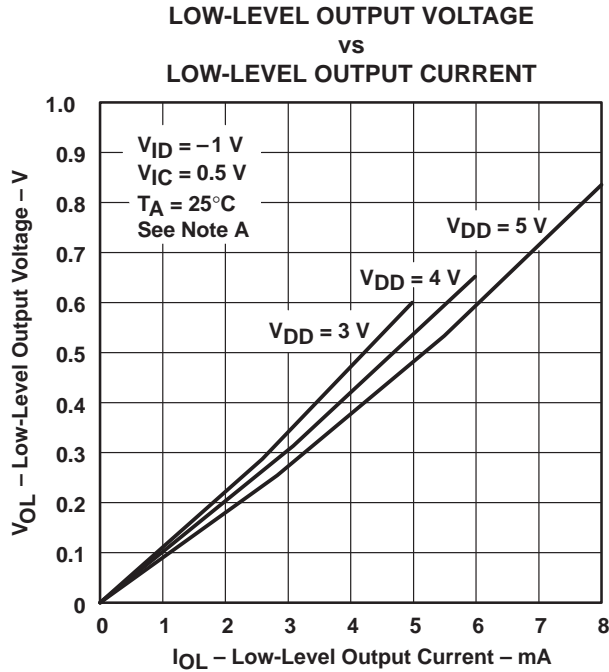
Figure 17

† Data at high and low temperatures are applicable only within the rated operating free-air temperature ranges of the various devices.

# TLC272, TLC272A, TLC272B, TLC272Y, TLC277 LinCMOS™ PRECISION DUAL OPERATIONAL AMPLIFIERS

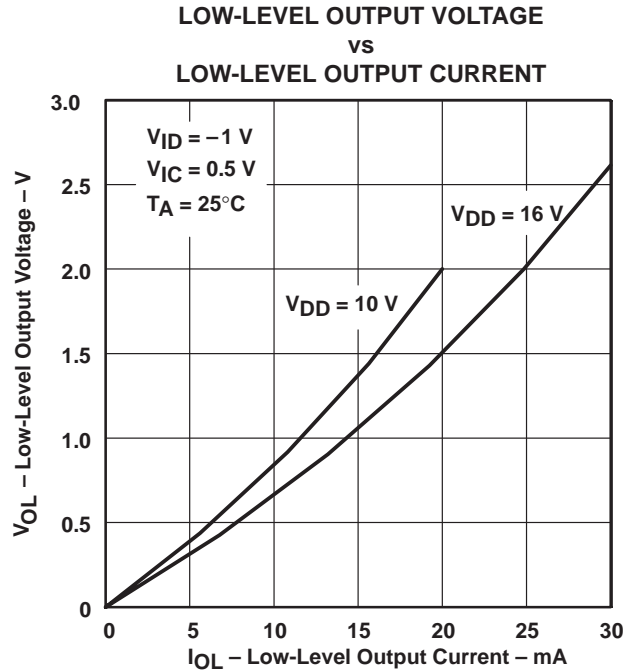
SLOS091B – OCTOBER 1987 – REVISED AUGUST 1994

## TYPICAL CHARACTERISTICS†

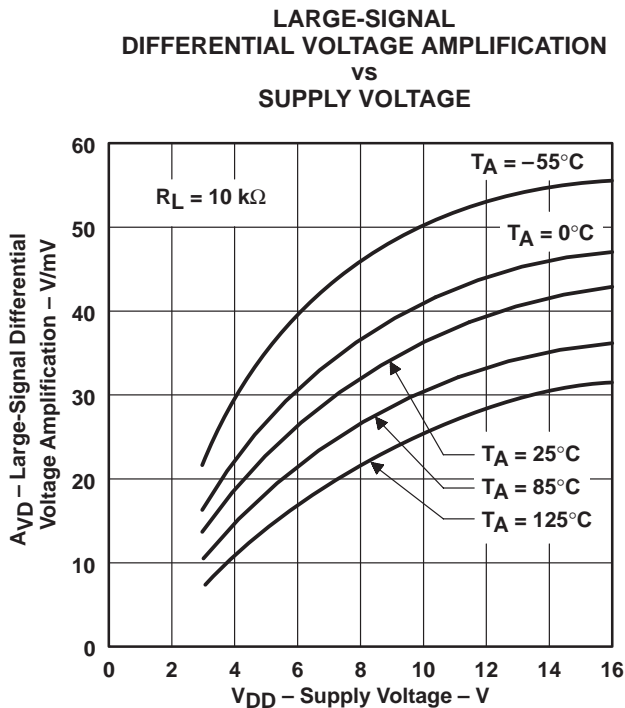


NOTE A: The 3-V curve only applies to the C version.

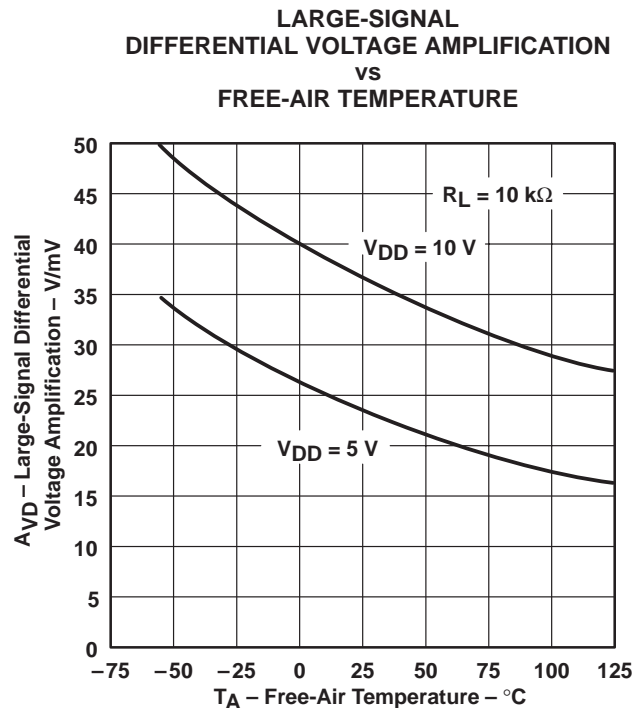
**Figure 18**



**Figure 19**



**Figure 20**



**Figure 21**

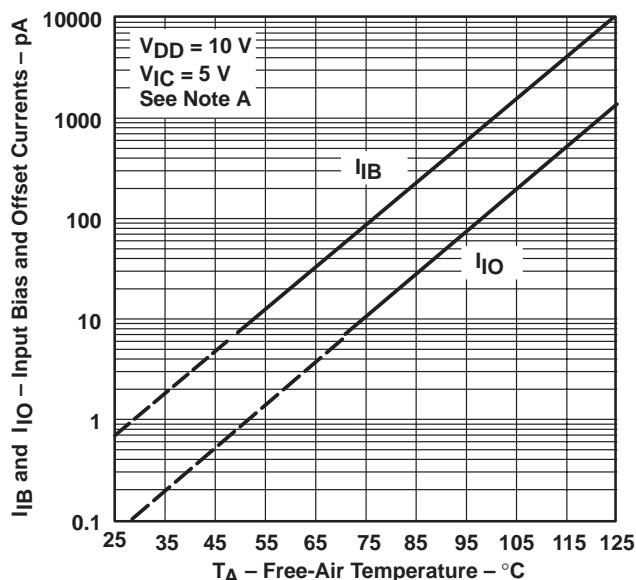
† Data at high and low temperatures are applicable only within the rated operating free-air temperature ranges of the various devices.

# TLC272, TLC272A, TLC272B, TLC272Y, TLC277 LinCMOS™ PRECISION DUAL OPERATIONAL AMPLIFIERS

SLOS091B – OCTOBER 1987 – REVISED AUGUST 1994

## TYPICAL CHARACTERISTICS†

INPUT BIAS CURRENT AND INPUT OFFSET CURRENT  
vs  
FREE-AIR TEMPERATURE



NOTE A: The typical values of input bias current and input offset current below 5 pA were determined mathematically.

Figure 22

COMMON-MODE  
INPUT VOLTAGE POSITIVE LIMIT  
vs  
SUPPLY VOLTAGE

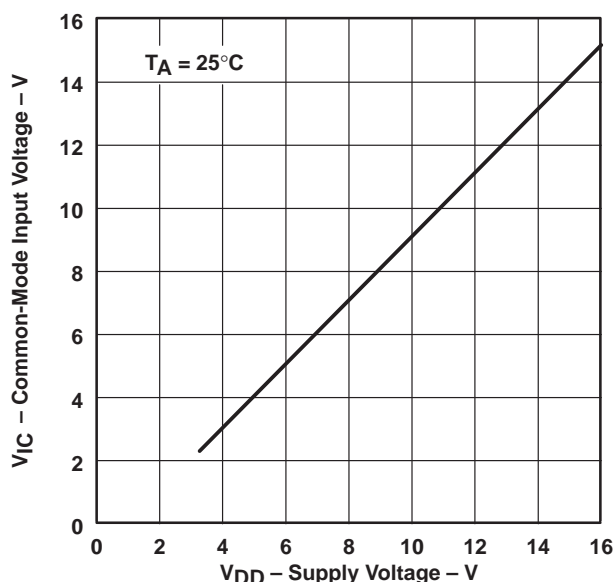


Figure 23

SUPPLY CURRENT  
vs  
SUPPLY VOLTAGE

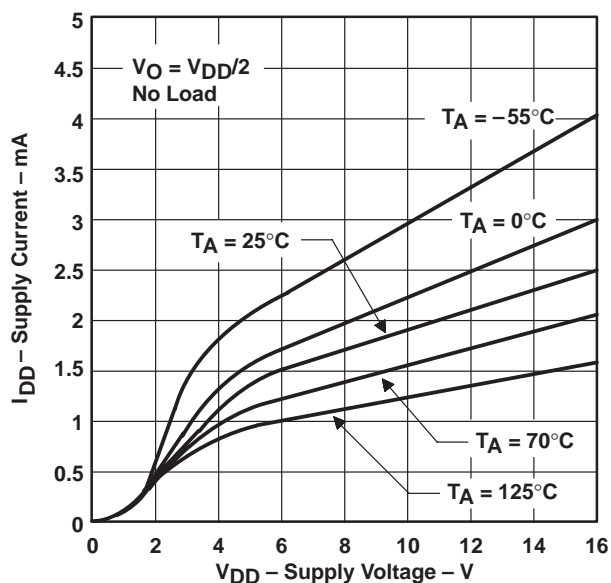


Figure 24

SUPPLY CURRENT  
vs  
FREE-AIR TEMPERATURE

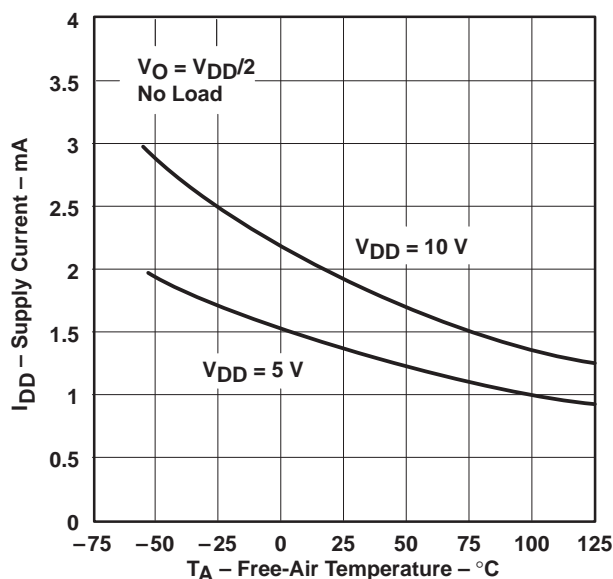


Figure 25

† Data at high and low temperatures are applicable only within the rated operating free-air temperature ranges of the various devices.



# TLC272, TLC272A, TLC272B, TLC272Y, TLC277 LinCMOS™ PRECISION DUAL OPERATIONAL AMPLIFIERS

SLOS091B – OCTOBER 1987 – REVISED AUGUST 1994

## TYPICAL CHARACTERISTICS†

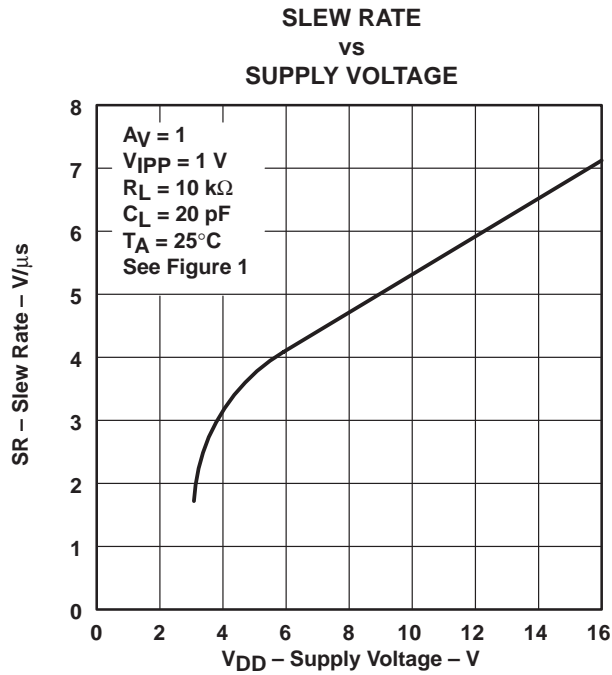


Figure 26

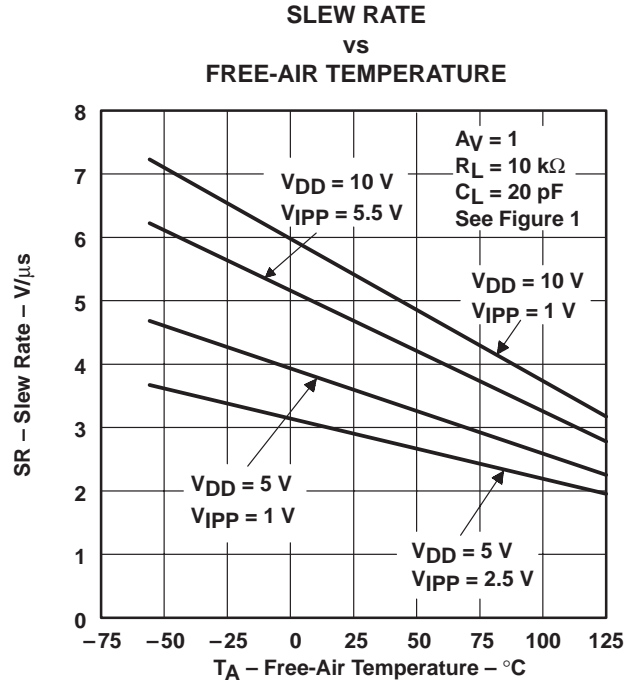


Figure 27

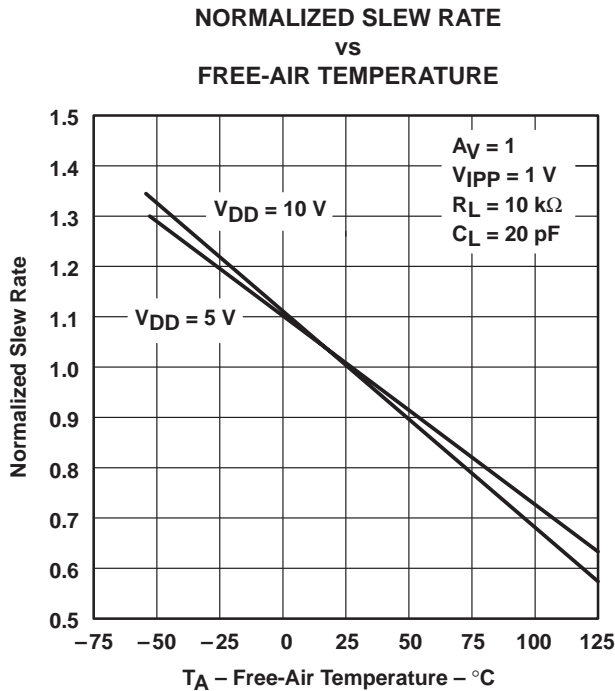


Figure 28

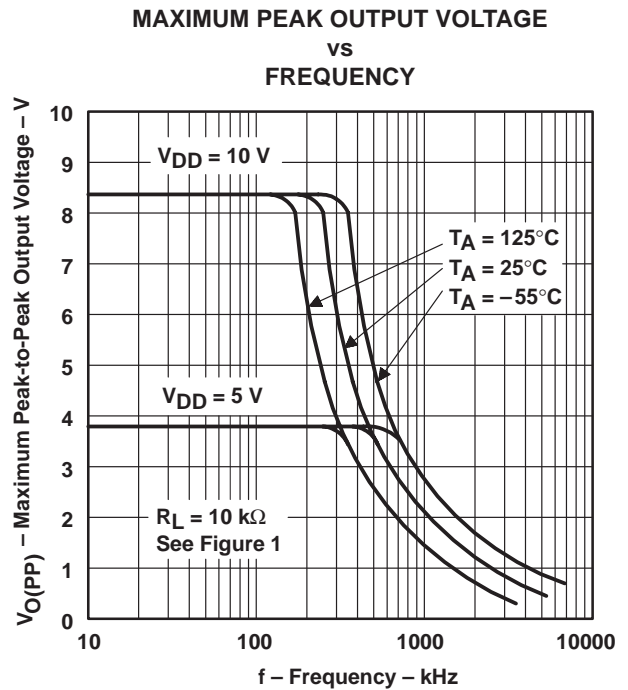


Figure 29

† Data at high and low temperatures are applicable only within the rated operating free-air temperature ranges of the various devices.

# TLC272, TLC272A, TLC272B, TLC272Y, TLC277 LinCMOS™ PRECISION DUAL OPERATIONAL AMPLIFIERS

SLOS091B – OCTOBER 1987 – REVISED AUGUST 1994

## TYPICAL CHARACTERISTICS†

UNITY-GAIN BANDWIDTH  
vs  
FREE-AIR TEMPERATURE

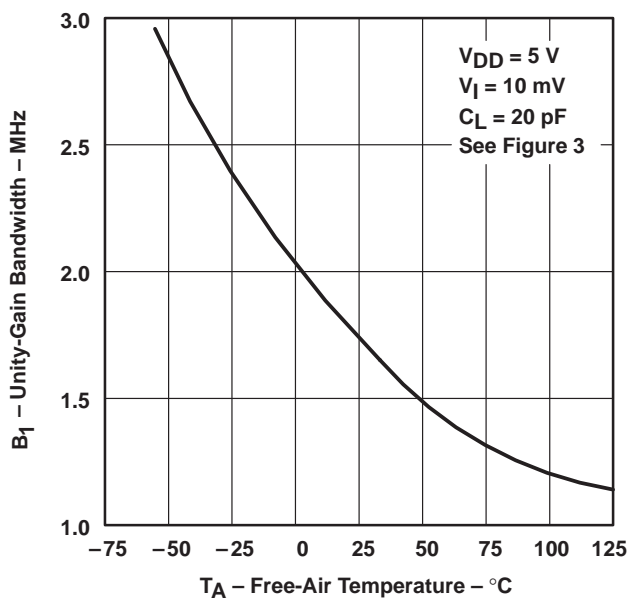


Figure 30

UNITY-GAIN BANDWIDTH  
vs  
SUPPLY VOLTAGE

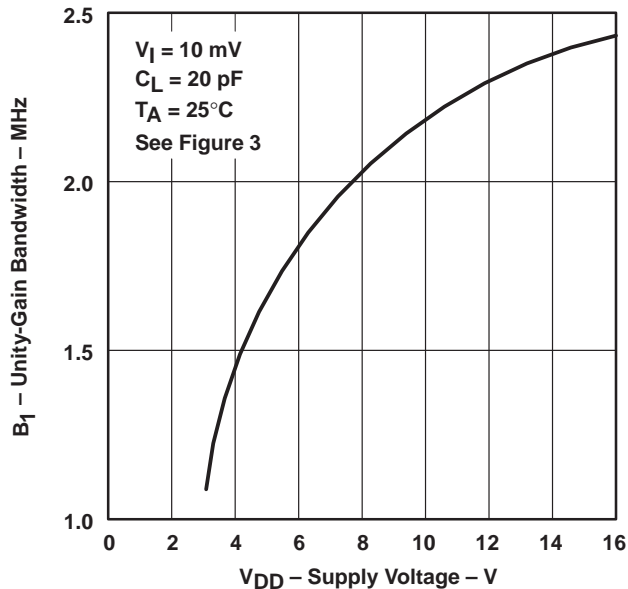


Figure 31

LARGE-SIGNAL DIFFERENTIAL VOLTAGE  
AMPLIFICATION AND PHASE SHIFT  
vs  
FREQUENCY

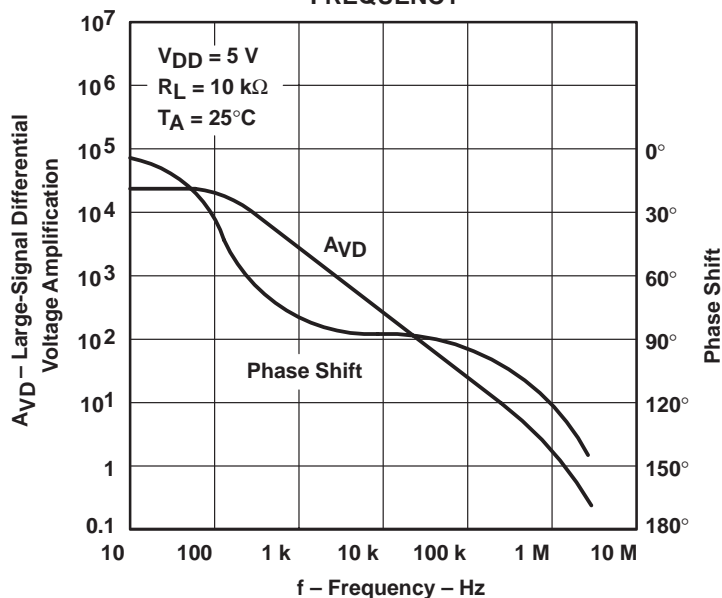


Figure 32

† Data at high and low temperatures are applicable only within the rated operating free-air temperature ranges of the various devices.

# TLC272, TLC272A, TLC272B, TLC272Y, TLC277 LinCMOS™ PRECISION DUAL OPERATIONAL AMPLIFIERS

SLOS091B – OCTOBER 1987 – REVISED AUGUST 1994

## TYPICAL CHARACTERISTICS†

### LARGE-SIGNAL DIFFERENTIAL VOLTAGE AMPLIFICATION AND PHASE SHIFT

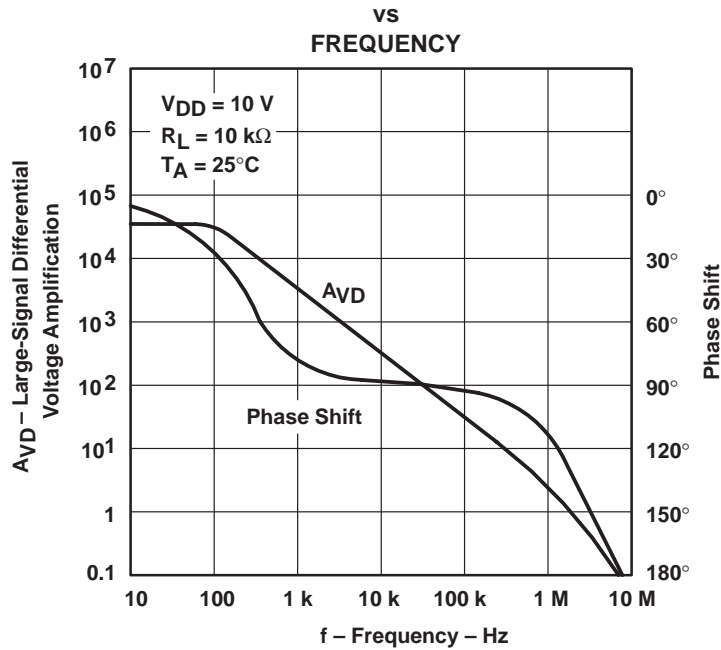


Figure 33

### PHASE MARGIN VS SUPPLY VOLTAGE

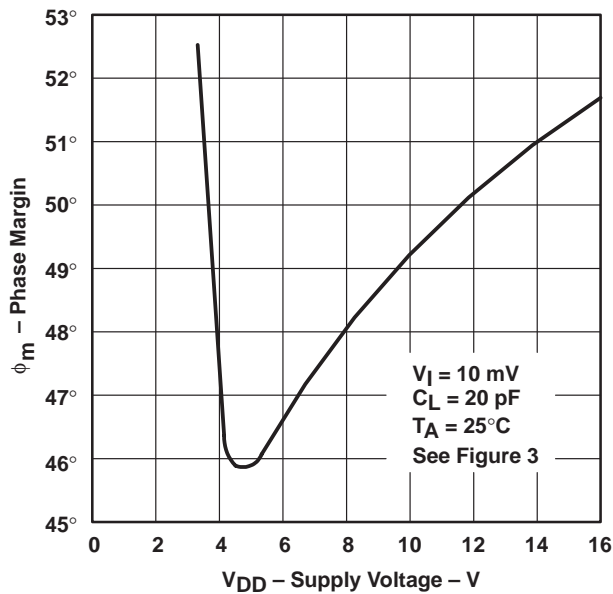


Figure 34

### PHASE MARGIN VS FREE-AIR TEMPERATURE

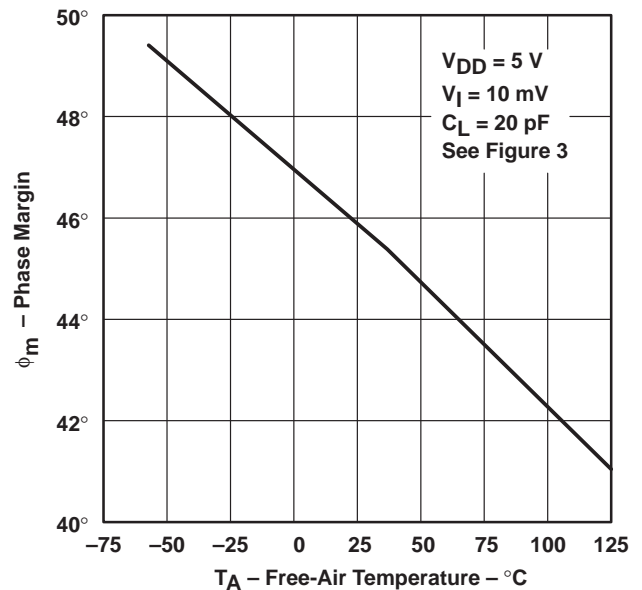


Figure 35

† Data at high and low temperatures are applicable only within the rated operating free-air temperature ranges of the various devices.

TLC272, TLC272A, TLC272B, TLC272Y, TLC277  
 LinCMOS™ PRECISION DUAL OPERATIONAL AMPLIFIERS

SLOS091B – OCTOBER 1987 – REVISED AUGUST 1994

TYPICAL CHARACTERISTICS

PHASE MARGIN  
 VS  
 CAPACITIVE LOAD

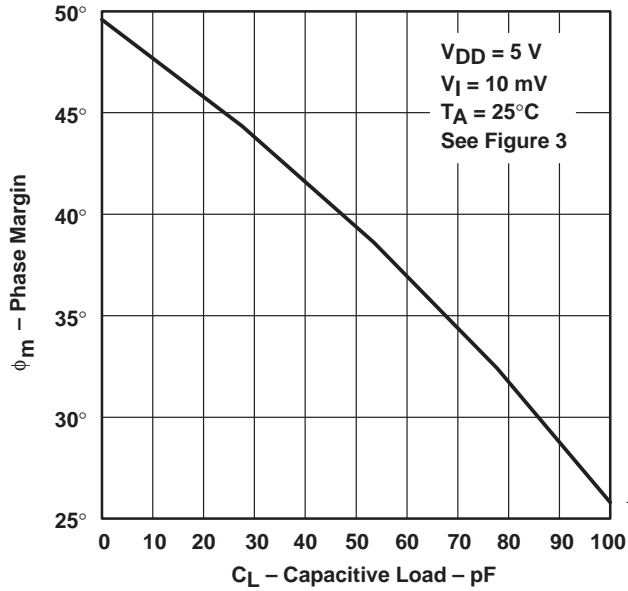


Figure 36

EQUIVALENT INPUT NOISE VOLTAGE  
 VS  
 FREQUENCY

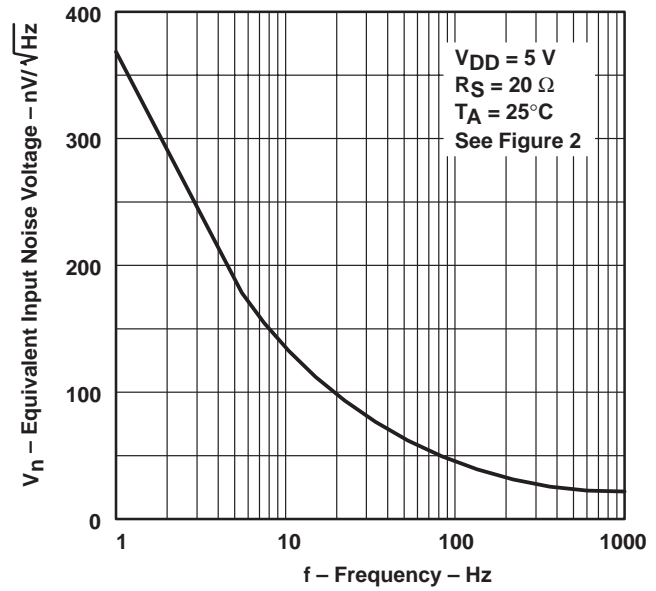


Figure 37

APPLICATION INFORMATION

single-supply operation

While the TLC272 and TLC277 perform well using dual power supplies (also called balanced or split supplies), the design is optimized for single-supply operation. This design includes an input common-mode voltage range that encompasses ground as well as an output voltage range that pulls down to ground. The supply voltage range extends down to 3 V (C-suffix types), thus allowing operation with supply levels commonly available for TTL and HCMOS; however, for maximum dynamic range, 16-V single-supply operation is recommended.

Many single-supply applications require that a voltage be applied to one input to establish a reference level that is above ground. A resistive voltage divider is usually sufficient to establish this reference level (see Figure 38). The low input bias current of the TLC272 and TLC277 permits the use of very large resistive values to implement the voltage divider, thus minimizing power consumption.

The TLC272 and TLC277 work well in conjunction with digital logic; however, when powering both linear devices and digital logic from the same power supply, the following precautions are recommended:

1. Power the linear devices from separate bypassed supply lines (see Figure 39); otherwise, the linear device supply rails can fluctuate due to voltage drops caused by high switching currents in the digital logic.
2. Use proper bypass techniques to reduce the probability of noise-induced errors. Single capacitive decoupling is often adequate; however, high-frequency applications may require RC decoupling.

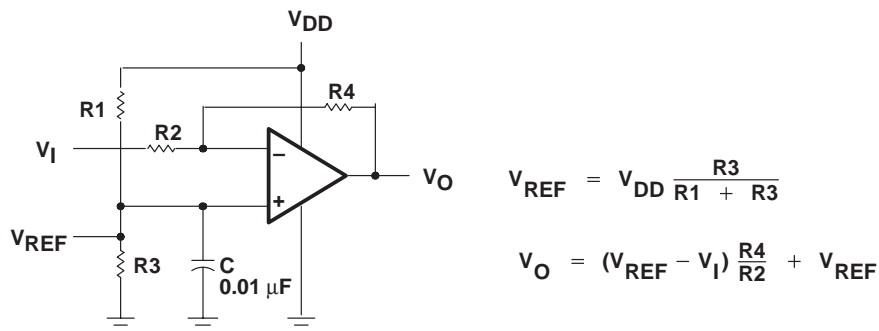


Figure 38. Inverting Amplifier With Voltage Reference

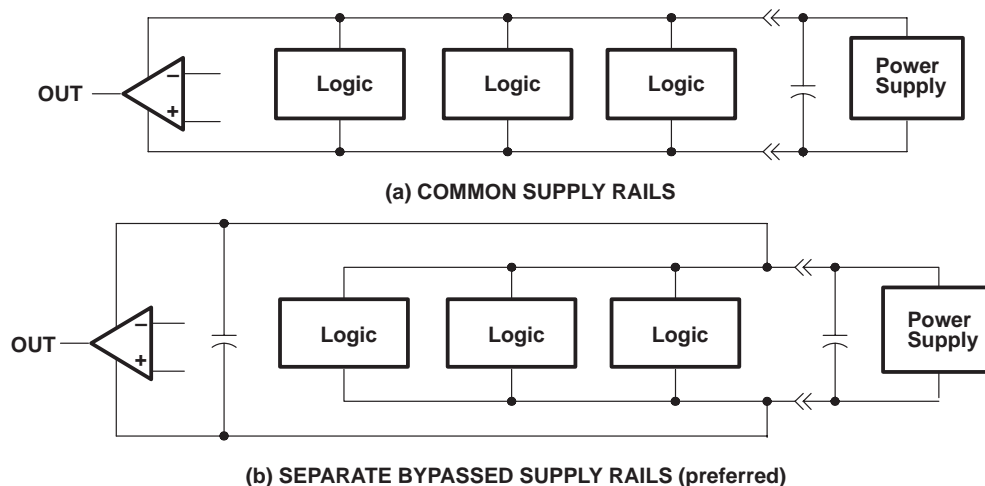


Figure 39. Common vs Separate Supply Rails

# TLC272, TLC272A, TLC272B, TLC272Y, TLC277 LinCMOS™ PRECISION DUAL OPERATIONAL AMPLIFIERS

SLOS091B – OCTOBER 1987 – REVISED AUGUST 1994

## APPLICATION INFORMATION

### input characteristics

The TLC272 and TLC277 are specified with a minimum and a maximum input voltage that, if exceeded at either input, could cause the device to malfunction. Exceeding this specified range is a common problem, especially in single-supply operation. Note that the lower range limit includes the negative rail, while the upper range limit is specified at  $V_{DD} - 1\text{ V}$  at  $T_A = 25^\circ\text{C}$  and at  $V_{DD} - 1.5\text{ V}$  at all other temperatures.

The use of the polysilicon-gate process and the careful input circuit design gives the TLC272 and TLC277 very good input offset voltage drift characteristics relative to conventional metal-gate processes. Offset voltage drift in CMOS devices is highly influenced by threshold voltage shifts caused by polarization of the phosphorus dopant implanted in the oxide. Placing the phosphorus dopant in a conductor (such as a polysilicon gate) alleviates the polarization problem, thus reducing threshold voltage shifts by more than an order of magnitude. The offset voltage drift with time has been calculated to be typically  $0.1\ \mu\text{V}/\text{month}$ , including the first month of operation.

Because of the extremely high input impedance and resulting low bias current requirements, the TLC272 and TLC277 are well suited for low-level signal processing; however, leakage currents on printed-circuit boards and sockets can easily exceed bias current requirements and cause a degradation in device performance. It is good practice to include guard rings around inputs (similar to those of Figure 4 in the Parameter Measurement Information section). These guards should be driven from a low-impedance source at the same voltage level as the common-mode input (see Figure 40).

Unused amplifiers should be connected as grounded unity-gain followers to avoid possible oscillation.

### noise performance

The noise specifications in operational amplifier circuits are greatly dependent on the current in the first-stage differential amplifier. The low input bias current requirements of the TLC272 and TLC277 result in a very low noise current, which is insignificant in most applications. This feature makes the devices especially favorable over bipolar devices when using values of circuit impedance greater than  $50\ \text{k}\Omega$ , since bipolar devices exhibit greater noise currents.

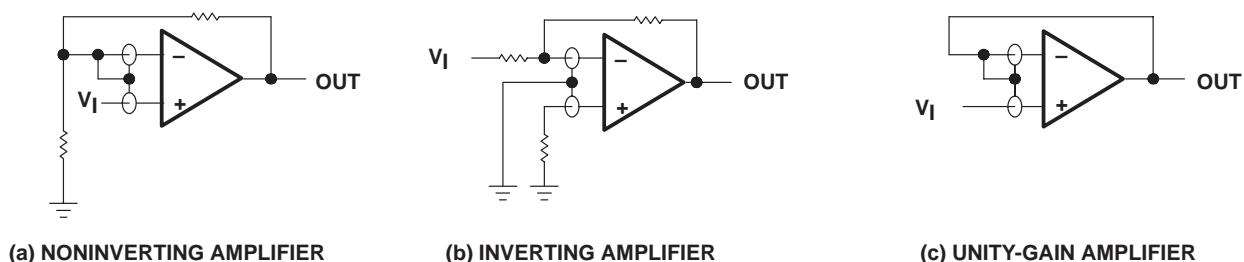


Figure 40. Guard-Ring Schemes

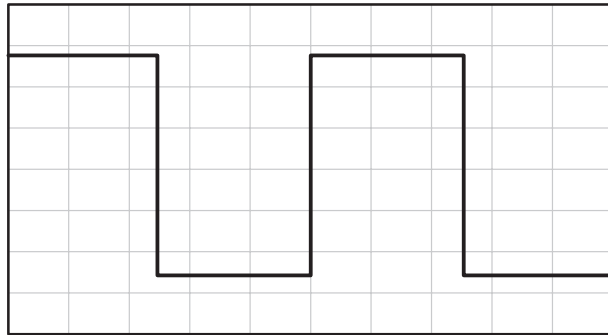
### output characteristics

The output stage of the TLC272 and TLC277 is designed to sink and source relatively high amounts of current (see typical characteristics). If the output is subjected to a short-circuit condition, this high current capability can cause device damage under certain conditions. Output current capability increases with supply voltage.

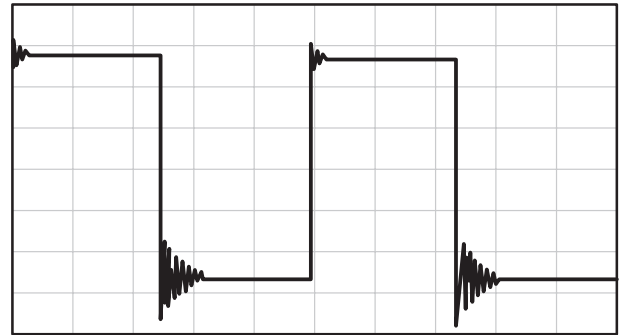
All operating characteristics of the TLC272 and TLC277 are measured using a  $20\text{-pF}$  load. The devices can drive higher capacitive loads; however, as output load capacitance increases, the resulting response pole occurs at lower frequencies, thereby causing ringing, peaking, or even oscillation (see Figure 41). In many cases, adding a small amount of resistance in series with the load capacitance alleviates the problem.

APPLICATION INFORMATION

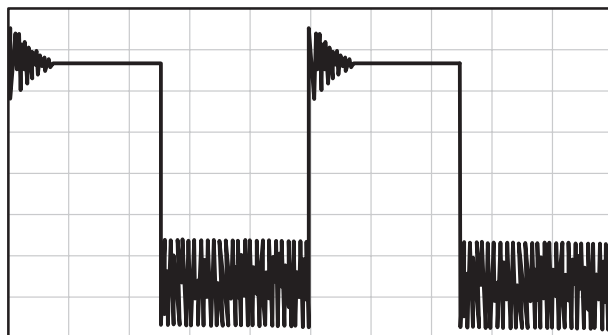
output characteristics (continued)



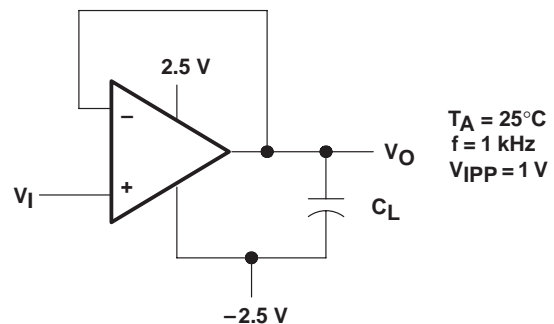
(a)  $C_L = 20 \text{ pF}$ ,  $R_L = \text{NO LOAD}$



(b)  $C_L = 130 \text{ pF}$ ,  $R_L = \text{NO LOAD}$



(c)  $C_L = 150 \text{ pF}$ ,  $R_L = \text{NO LOAD}$



(d) TEST CIRCUIT

$T_A = 25^\circ\text{C}$   
 $f = 1 \text{ kHz}$   
 $V_{IPP} = 1 \text{ V}$

Figure 41. Effect of Capacitive Loads and Test Circuit

Although the TLC272 and TLC277 possess excellent high-level output voltage and current capability, methods for boosting this capability are available, if needed. The simplest method involves the use of a pullup resistor ( $R_P$ ) connected from the output to the positive supply rail (see Figure 42). There are two disadvantages to the use of this circuit. First, the NMOS pulldown transistor N4 (see equivalent schematic) must sink a comparatively large amount of current. In this circuit, N4 behaves like a linear resistor with an on resistance between approximately  $60 \Omega$  and  $180 \Omega$ , depending on how hard the operational amplifier input is driven. With very low values of  $R_P$ , a voltage offset from 0 V at the output occurs. Second, pullup resistor  $R_P$  acts as a drain load to N4 and the gain of the operational amplifier is reduced at output voltage levels where N5 is not supplying the output current.

# TLC272, TLC272A, TLC272B, TLC272Y, TLC277 LinCMOS™ PRECISION DUAL OPERATIONAL AMPLIFIERS

SLOS091B – OCTOBER 1987 – REVISED AUGUST 1994

## APPLICATION INFORMATION

### output characteristics (continued)

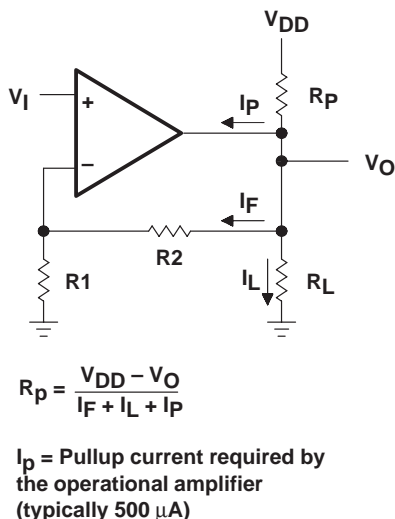


Figure 42. Resistive Pullup to Increase  $V_{OH}$

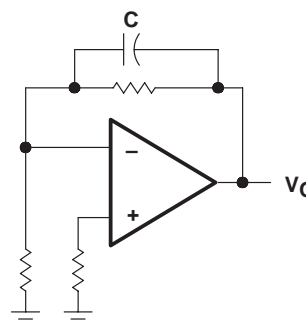


Figure 43. Compensation for Input Capacitance

### feedback

Operational amplifier circuits almost always employ feedback, and since feedback is the first prerequisite for oscillation, some caution is appropriate. Most oscillation problems result from driving capacitive loads (discussed previously) and ignoring stray input capacitance. A small-value capacitor connected in parallel with the feedback resistor is an effective remedy (see Figure 43). The value of this capacitor is optimized empirically.

### electrostatic discharge protection

The TLC272 and TLC277 incorporate an internal electrostatic discharge (ESD) protection circuit that prevents functional failures at voltages up to 2000 V as tested under MIL-STD-883C, Method 3015.2. Care should be exercised, however, when handling these devices as exposure to ESD may result in the degradation of the device parametric performance. The protection circuit also causes the input bias currents to be temperature dependent and have the characteristics of a reverse-biased diode.

### latch-up

Because CMOS devices are susceptible to latch-up due to their inherent parasitic thyristors, the TLC272 and TLC277 inputs and outputs were designed to withstand  $-100$ -mA surge currents without sustaining latch-up; however, techniques should be used to reduce the chance of latch-up whenever possible. Internal protection diodes should not, by design, be forward biased. Applied input and output voltage should not exceed the supply voltage by more than 300 mV. Care should be exercised when using capacitive coupling on pulse generators. Supply transients should be shunted by the use of decoupling capacitors (0.1  $\mu$ F typical) located across the supply rails as close to the device as possible.

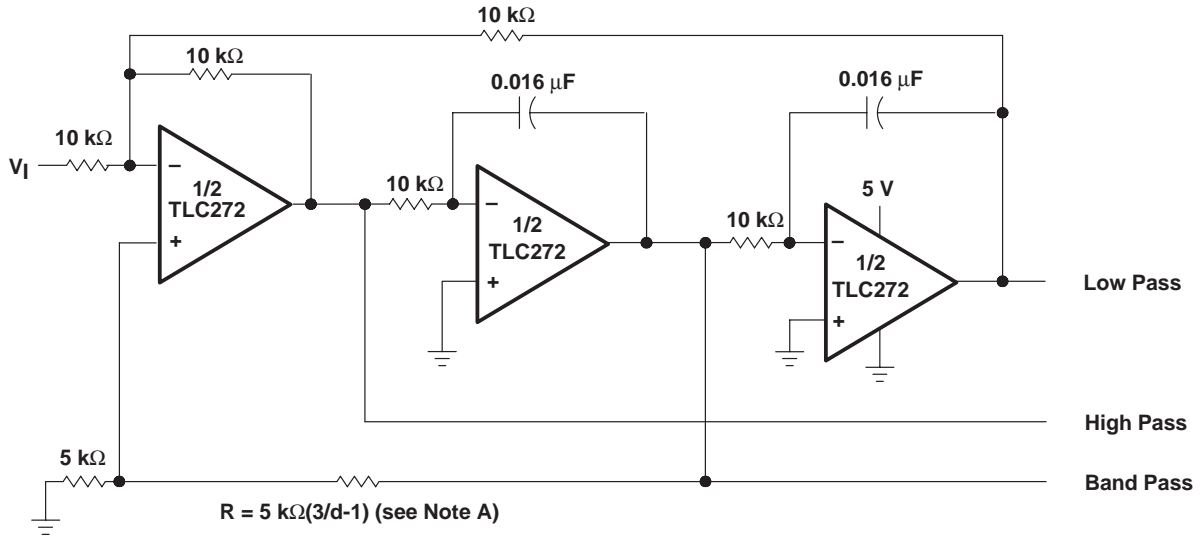
The current path established if latch-up occurs is usually between the positive supply rail and ground and can be triggered by surges on the supply lines and/or voltages on either the output or inputs that exceed the supply voltage. Once latch-up occurs, the current flow is limited only by the impedance of the power supply and the forward resistance of the parasitic thyristor and usually results in the destruction of the device. The chance of latch-up occurring increases with increasing temperature and supply voltages.



# TLC272, TLC272A, TLC272B, TLC272Y, TLC277 LinCMOS™ PRECISION DUAL OPERATIONAL AMPLIFIERS

SLOS091B – OCTOBER 1987 – REVISED AUGUST 1994

## APPLICATION INFORMATION



NOTE A:  $d$  = damping factor,  $1/Q$

Figure 44. State-Variable Filter

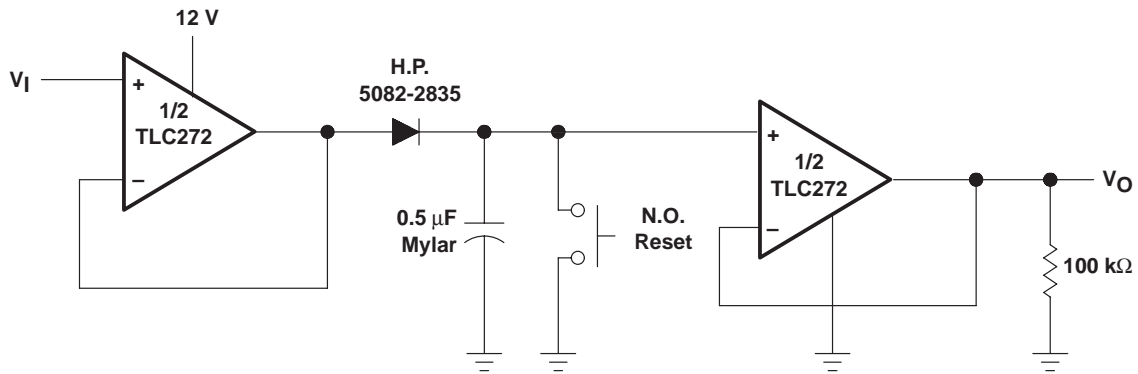
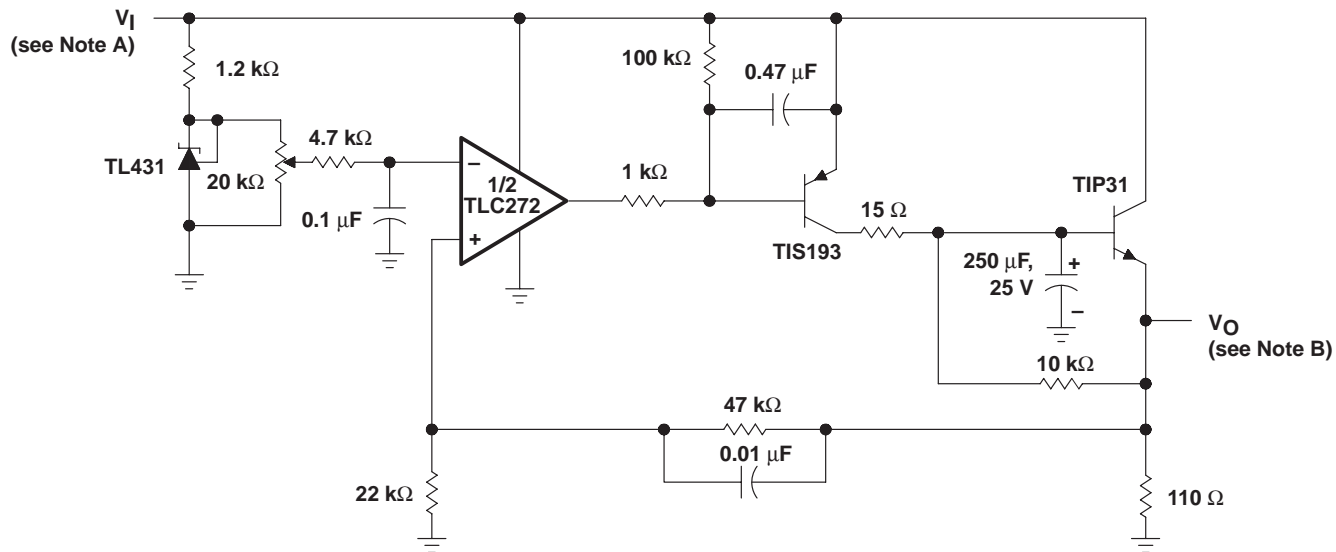


Figure 45. Positive-Peak Detector

# TLC272, TLC272A, TLC272B, TLC272Y, TLC277 LinCMOS™ PRECISION DUAL OPERATIONAL AMPLIFIERS

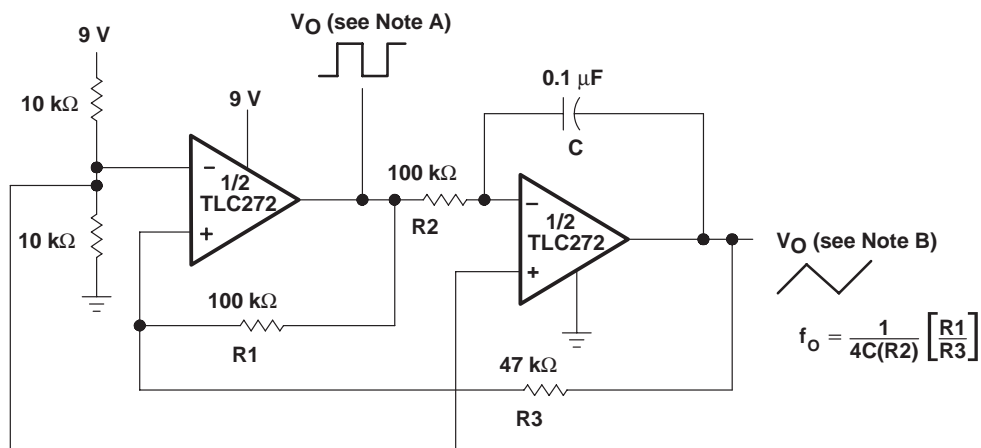
SLOS091B – OCTOBER 1987 – REVISED AUGUST 1994

## APPLICATION INFORMATION



NOTES: A.  $V_I = 3.5$  to  $15$  V  
B.  $V_O = 2$  V, 0 to 1 A

Figure 46. Logic-Array Power Supply



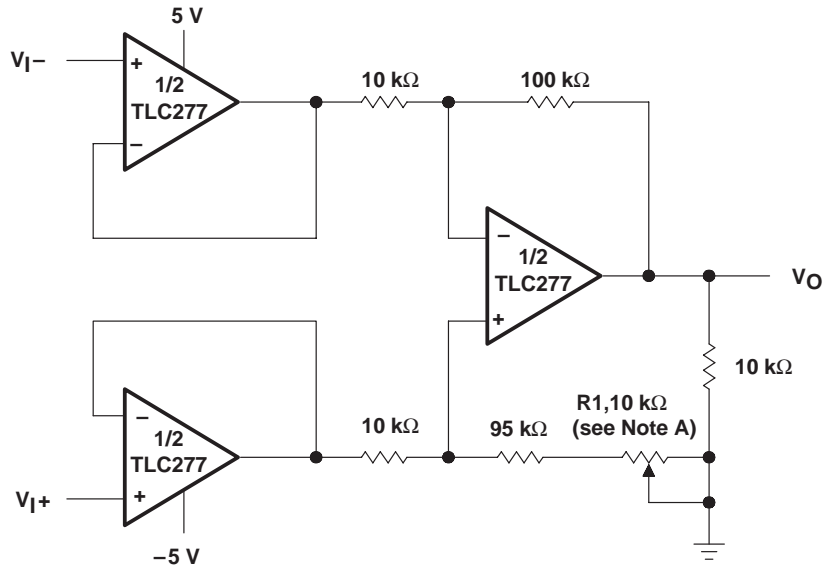
NOTES: A.  $V_{O(PP)} = 8$  V  
B.  $V_{O(PP)} = 4$  V

Figure 47. Single-Supply Function Generator

# TLC272, TLC272A, TLC272B, TLC272Y, TLC277 LinCMOS™ PRECISION DUAL OPERATIONAL AMPLIFIERS

SLOS091B – OCTOBER 1987 – REVISED AUGUST 1994

## APPLICATION INFORMATION



NOTE B: CMRR adjustment must be noninductive.

Figure 48. Low-Power Instrumentation Amplifier

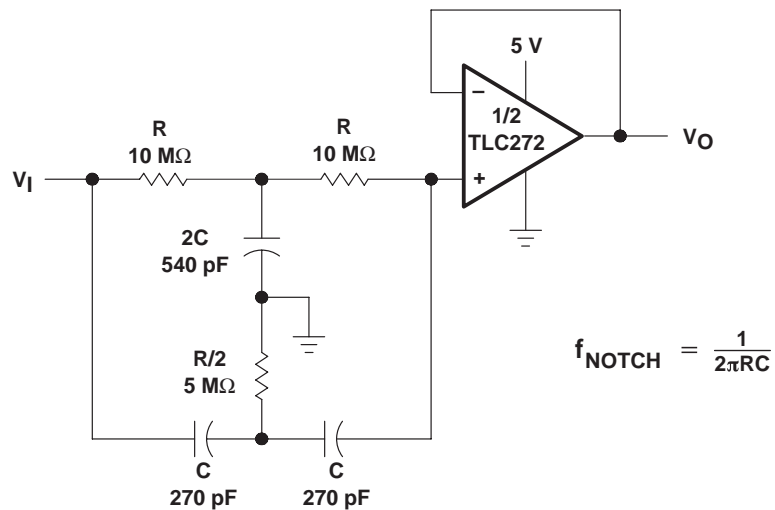


Figure 49. Single-Supply Twin-T Notch Filter

## **IMPORTANT NOTICE**

Texas Instruments and its subsidiaries (TI) reserve the right to make changes to their products or to discontinue any product or service without notice, and advise customers to obtain the latest version of relevant information to verify, before placing orders, that information being relied on is current and complete. All products are sold subject to the terms and conditions of sale supplied at the time of order acknowledgement, including those pertaining to warranty, patent infringement, and limitation of liability.

TI warrants performance of its semiconductor products to the specifications applicable at the time of sale in accordance with TI's standard warranty. Testing and other quality control techniques are utilized to the extent TI deems necessary to support this warranty. Specific testing of all parameters of each device is not necessarily performed, except those mandated by government requirements.

CERTAIN APPLICATIONS USING SEMICONDUCTOR PRODUCTS MAY INVOLVE POTENTIAL RISKS OF DEATH, PERSONAL INJURY, OR SEVERE PROPERTY OR ENVIRONMENTAL DAMAGE ("CRITICAL APPLICATIONS"). TI SEMICONDUCTOR PRODUCTS ARE NOT DESIGNED, AUTHORIZED, OR WARRANTED TO BE SUITABLE FOR USE IN LIFE-SUPPORT DEVICES OR SYSTEMS OR OTHER CRITICAL APPLICATIONS. INCLUSION OF TI PRODUCTS IN SUCH APPLICATIONS IS UNDERSTOOD TO BE FULLY AT THE CUSTOMER'S RISK.

In order to minimize risks associated with the customer's applications, adequate design and operating safeguards must be provided by the customer to minimize inherent or procedural hazards.

TI assumes no liability for applications assistance or customer product design. TI does not warrant or represent that any license, either express or implied, is granted under any patent right, copyright, mask work right, or other intellectual property right of TI covering or relating to any combination, machine, or process in which such semiconductor products or services might be or are used. TI's publication of information regarding any third party's products or services does not constitute TI's approval, warranty or endorsement thereof.