

TOSHIBA

30Q6P45, 30U6P45

TOSHIBA RECTIFIER MODULE SILICON DIFFUSED TYPE

30Q6P45, 30U6P45

Unit in mm

- THREE PHASE FULL WAVE BRIDGE APPLICATIONS
- INVERTER EQUIPMENT FOR AC MOTOR CONTROL
- CHOPPER EQUIPMENT FOR DC MOTOR CONTROL
- DC SUPPLY FOR BATTERY
- OTHER POWER CONVERSION EQUIPMENT

- Repetitive Peak Reverse Voltage : $V_{RRM}=1200、1600V$
- Average Output Rectified Current : $I_O=30A$
- Isolation Voltage : $V_{Isol}=2500V$ AC 60s
- Single In-line Package

MAXIMUM RATINGS (Ta = 25°C)

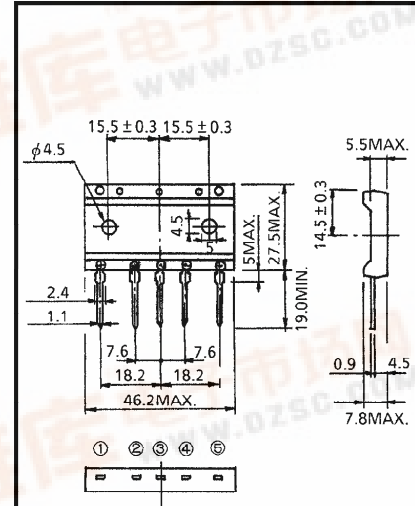
CHARACTERISTIC		SYMBOL	RATING	UNIT
Repetitive Peak Reverse Voltage	30Q6P45	V_{RRM}	1200	V
	30U6P45		1600	
Average Output Rectified Current		I_O	30	A
Peak One Cycle Surge Forward Current (Non-Repetitive)		I_{FSM}	300 (50Hz)	A
			330 (60Hz)	
Junction Temperature		T_j	-40~150	°C
Storage Temperature		T_{stg}	-40~125	°C
Screw Torque	(Note 1)	—	1.5	Nm
Isolation Voltage (AC, t=60s)		V_{Isol}	2500	V

Note 1 : Recommended torque 1.2Nm

ELECTRICAL CHARACTERISTICS (Ta = 25°C)

CHARACTERISTIC	SYMBOL	TEST CONDITION	MIN.	MAX.	UNIT
Repetitive Peak Reverse Current	I_{RRM} (Note 2)	$V_{RRM} = \text{Rated}$	—	100	μA
Peak Forward Voltage	V_{FM} (Note 2)	$I_{FM} = 30A$	—	1.3	V
Thermal Resistance	$R_{th(j-c)}$	DC (Total) (Junction-Case)	—	0.8	°C / W
	$R_{th(j-a)}$	Free Convection (Junction-Ambient)	—	15	

Note 2 : A value per rectifier unit.



JEDEC	—
EIAJ	—
TOSHIBA	12-46A1A

Weight : 24g

CONNECTION

