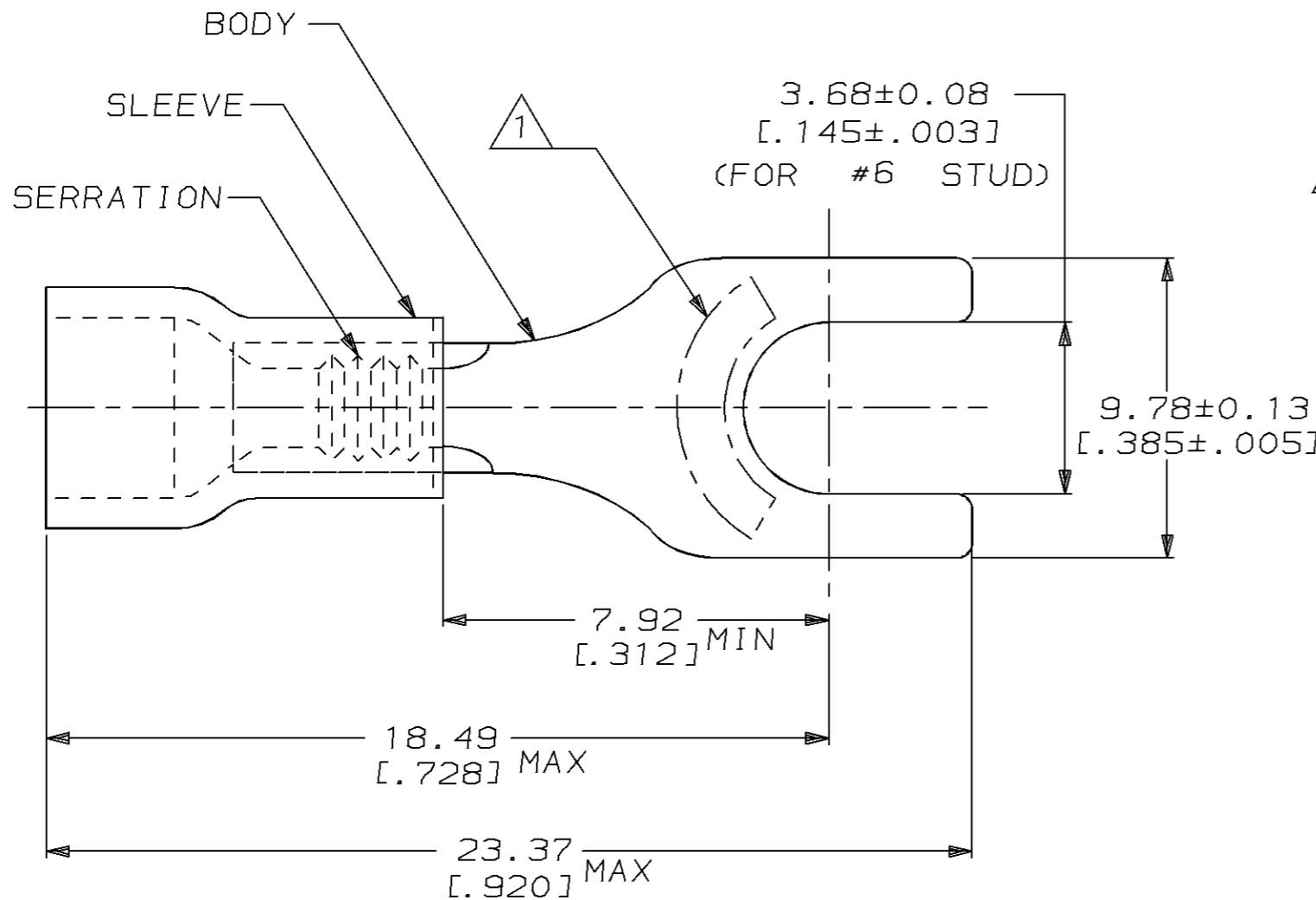


THIS DRAWING IS UNPUBLISHED. RELEASED FOR PUBLICATION ,19 .
 © COPYRIGHT 19 BY AMP INCORPORATED. ALL RIGHTS RESERVED.

LOC	DIST	REVISIONS					
		P	LTR	DESCRIPTION	DATE	DWN	APVD
G	14	M		OBS 2--1 / 0L20-0121-96	12DEC96	ME	BB

AMP WIRE RANGE	UL E13288	LR7189 Certified
- - SOLID OR STRANDED	- - SOLID OR STRANDED	- - SOLID OR STRANDED



- △ 1 STAMP AMP 16-14* LOCATE APPROX AS SHOWN
- 2. WIRE INSUL DIA, 2.92 TO 4.32 [.115 TO .170]
- 3. TONGUE MATL THK, 0.79 ± 0.05 [.031 ± .002]
- △ 4 REPLACED BY 34165
- △ 5 REPLACED BY 54367-2

△ 4	OBSOLETE	100	LOOSE PIECE, BOX	8-34165-1
△ 5	OBSOLETE	5000	ON TAPE, REEL	2-34165-1
		1000	LOOSE PIECE	34165
		QTY	PACKAGE TYPE	PART NO

AMP INCORPORATED CUSTOMER SERVICE SYSTEM		MAX RECOMMENDED OPERATING TEMPERATURE: 90°C [194°F]	THIS DRAWING IS A CONTROLLED DOCUMENT FOR AMP INCORPORATED. IT IS SUBJECT TO CHANGE AND THE CONTROLLING ENGINEERING ORGANIZATION SHOULD BE CONTACTED FOR THE LATEST REVISION.		DWN G VINSON 07NOV94	AMP Incorporated Harrisburg, PA 17105-3608
FOR ADDITIONAL PRODUCT INFORMATION OR COPIES OF DRAWINGS AND TECHNICAL DOCUMENTS	PRODUCT INFORMATION CENTER 1-800-522-6752	VOLTAGE RATING: 600V MAX (1000V FIXTURE OR SIGN)	DIMENSIONS: mm [in]	TOLERANCES UNLESS OTHERWISE SPECIFIED:	CHK M ELLIS 07NOV94	
FOR APPLICATION TOOLING INFORMATION	TOOLING ASSISTANCE CENTER 1-800-722-1111	CIRCULAR MIL AREA: 1.04mm² - 2.62mm² [2050 -5180]		0 PLC ±- 1 PLC ±- 2 PLC ±0.20 [.008] 3 PLC ±- 4 PLC ±- ANGLES ±-	APVD G NGO 07NOV94	SIZE A3
FOR ORDER ENTRY	1-800-526-5142		MATERIAL BODY, CU PER ASTM B152 SLEEVE, PVC, BLUE	FINISH - -	PRODUCT SPEC UL 486A	CAGE CODE 00779
					APPLICATION SPEC -	DRAWING NO C-34165
					WEIGHT -	SCALE 6:1
					CUSTOMER DRAWING	SHEET 1 OF 1
						REV M