



- Wide-Angle Visibility
- Phenolic Cases with Clear Acrylic Windows
- Distinctive Case Style
- Three Popular Sizes: 2-1/2", 3-1/2", and 4-1/2"



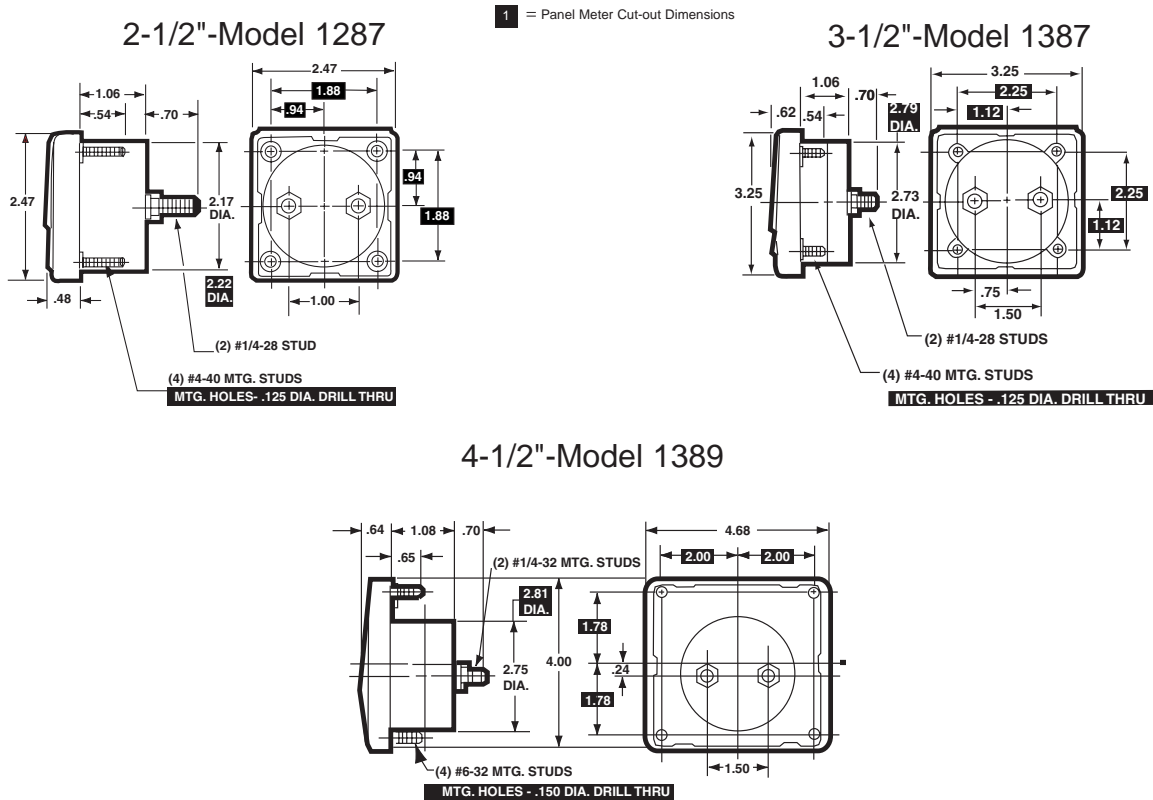
Model Number	Size	Meter Movement
1287	2-1/2"	Self-Shielding
1387	3-1/2"	Self-Shielding
1389	4-1/2"	Self-Shielding

Simpson's Wide-Vue frequency meters are ideal for monitoring line frequency. They are used wherever fast, precise monitoring of complex circuits is essential. Segmental frequency meters present a selected frequency range across the entire dial face in linear fashion. Where the significant frequency range on a conventional meter is squeezed into a quarter-of-an-inch of space, Simpson seg-

mental meters distribute that range across the entire scale.

This distinctive style meter has a molded black phenolic case and a clear acrylic window that provides wide-angle visibility and can be surface-mounted or bezel-mounted.

Dimensions and Compatibility



Specifications

Accuracy:	45-55Hz ± 0.3 Hz (120V-240V) 55-65Hz ± 0.3 Hz (120V-240V) 380-420Hz ± 1.2 Hz (120V-240V)	Case:	High density black phenolic
Movement:	Small core magnet, self-shielding	Operating Temperature:	-4°F to +149°F (-20°C to +65°C)
Suspension:	Pivot and Jewel	Pointer:	Spade pointer, with black matte finish
Shielding:	Calibration is unaffected by magnetic panel mounting	Scale Length:	Model 1287: 2.30" (58.4mm) Model 1387: 3.14" (79.9mm) Model 1389: 3.93" (100mm)
Center Scale Value:	50/60/400Hz	Net Weight:	Model 1287: 4oz (0.11kg) Model 1387: 8oz (0.14kg) Model 1389: 8oz (0.14kg)
Power Consumption:	1.6VA		
Warm-up Time:	5 minutes		
Max. Input Voltage (10 sec):	150, 120V normal 280, 240V normal		
Dial:	Sharp clear scale. Each dial arc is calibrated to track the specific type of movement used.		

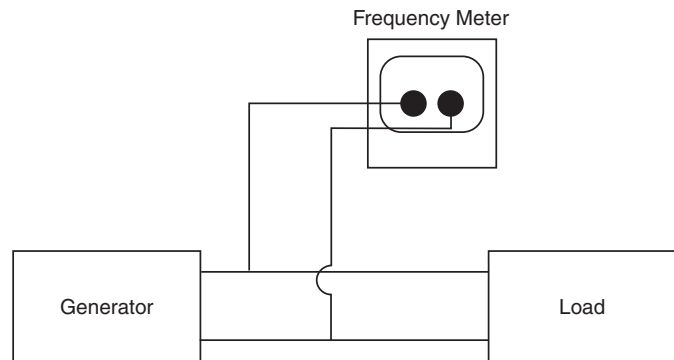
Ordering Information

Range	Operating Voltage	Center Frequency	Accuracy	Size/Model and Catalog number		
				2-1/2"	3-1/2"	4-1/2"
45-55	120V	50	3%	35100	35106	35112
55-65	120V	60	3%	35102	35108	35114
380-420	120V	400	3%	35104	35110	35116
45-55	240V	50	3%	35101	35107	35113
55-65	240V	60	3%	35103	35109	35115
380-420	240V	400	3%	35105	35111	35117

Wiring Diagram

There is a need to measure the frequency of the line voltage supplying power to a particular load. The normal operational frequency range of the load is 55-65 Hz. If the frequency level of a generator rises above 65Hz, the equipment will not function properly and could damage the equipment.

A Simpson frequency meter is used to monitor the frequency of the generator. The meter is installed in parallel between the source (line voltage) and the load (control panel) like a volt meter. In the event that the generator is functioning poorly, a backup generator is on standby.



Function Reference Table

For your convenience, the table below lists Wide-View models for other electrical monitoring functions and page reference in our Engineering Application Guide.

Function	Section	Page
AC Current	E	11
AC Voltage	E	31
DC Current	E	51
DC Voltage	E	71
Watts	E	105

Accessories

Bezels are available for Wide-View style meters to give your equipment a modern appearance. Bezels are die cast with an attractive black satin finish and are designed for behind panel mounting on material thickness of 1/8" to 3/16". Bezel kits include all mounting hardware and can be ordered with meters or separately.

Model Number	Catalog Number
1357 (3-1/2" Bezel)	01253
1359 (4-1/2" Bezel)	01123