

AYC Series



UL Recognized

AYC Series

The AYC series filters are designed for 3-phase, four-wire, WYE wiring applications. These cost-effective filters help better protect electronic equipment in industrial applications.

The series offers filtering up to 180 amps maximum and is used in 3-phase, noisy industrial applications such as frequency converters. The AYC series is designed to comply with International Standards including EN133200 and UL 1283.



Specifications

Maximum leakage current, each line-to-ground

@ 120 VAC 60Hz:		
16A		62mA
25/36A		68mA
63/80/110/150A		74mA
180A		111mA
@ 250 VAC 50 Hz:		
16A		106mA
25/36A		118mA
63A		128mA
80/110/150A		129mA
180A		192mA

Hipot rating (one minute):

line-to-ground	1850 VDC
line-to-line	1850 VDC
line-to-neutral	1450 VDC

Operating frequency:

50/60 Hz

Operating voltage (max.):

480 VAC

Rated current:

16AYC10B	16A	110AYC10B	110A
25AYC10B	25A	150AYC10B	150A
36AYC10B	36A	180AYC10B	180A
63AYC10B	63A		
80AYC10B	80A		

Typical insertion loss in dB:

Line-to-ground in 50 ohm circuit

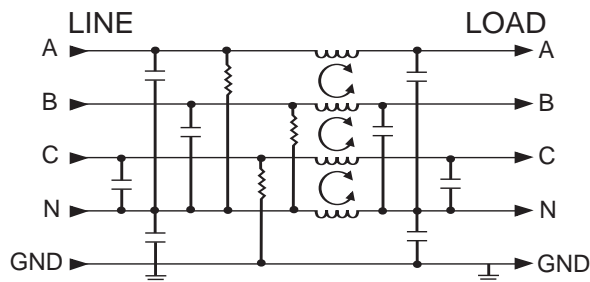
Current Rating	Frequency-MHz							
	.01	.05	.1	.5	1	5	10	30
25A	26	68	83	93	88	68	45	4
36A	18	61	78	96	91	71	49	7
63A	11	57	72	90	86	68	44	4
110A	10	51	60	88	84	74	50	12
150A*	0	50	57	82	79	75	51	7
150A	1	51	55	85	82	84	51	11
180A	3	53	55	97	89	81	56	20

Line-to-line in 50 ohm circuit

Current Rating	Frequency-MHz							
	.01	.05	.1	.5	1	5	10	30
25A	23	33	60	100	95	87	70	38
36A	25	37	51	94	87	69	58	17
63A	27	45	41	84	77	63	61	43
110A	27	35	39	75	72	51	44	31
150A*	28	37	42	74	67	52	45	30
150A	28	40	42	73	66	51	44	31
180A	30	41	50	70	64	49	42	26

*150AYC10B-95 only

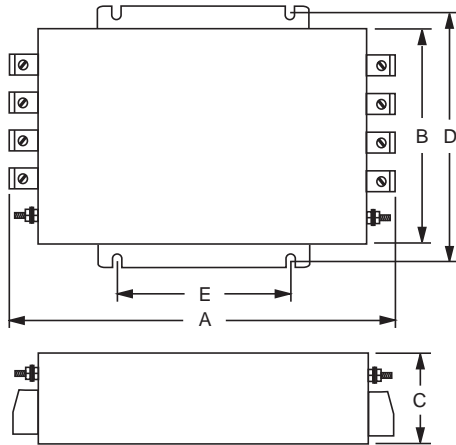
Electrical Schematic



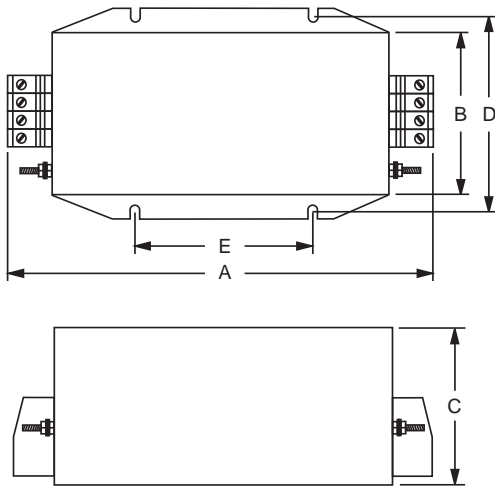
AYC Series

Case Styles

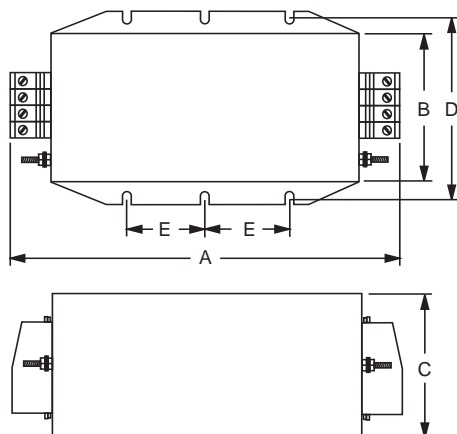
16, 25, 36, 63 AYC10B



80, 110, 150AYC10B / -95



180 AYC10B



Case Dimensions

Part No.	A (max)	B (max)	C (max)	D (max)	E $\pm .078$ ± 0.2
16AYC10B	6.69 170.0	4.37 111.0	2.56 65.0	4.92 125.0	2.76 70.0
25AYC10B	9.96 246.0	5.08 129.0	2.52 64.0	5.71 145.0	4.53 115.0
36AYC10B	10.35 263.0	5.08 129.0	2.52 64.0	5.71 145.0	4.53 115.0
63AYC10B	10.89 279.0	5.08 129.0	2.52 64.0	5.71 145.0	4.53 115.0
80/110/150 AYC10B	12.09 307.0	5.55 141.0	5.55 141.0	6.10 155.0	4.53 115.0
180AYC10B	15.71 399.0	5.55 141.0	5.55 141.0	6.10 155.0	3.25 82.5

Terminals

	Type (qty.)	Torque
16AYC10B	Terminals M5 (2)	54 - 58 in. lb.
	Phoenix Contacts VDFK4 (8)	5.5 - 7.0 in. lb.
Accepts 12 AWG stranded wire. Strip length 0.315		
25AYC10B	Terminals M5 (2)	51 - 55 in. lb.
	Phoenix Contacts VDFK6 (8)	13.5 - 16 in. lb.
Accepts 10 AWG stranded wire. Strip length 0.354		
36AYC10B	Terminals M5 (2)	54 - 58 in. lb.
	Phoenix Contacts HDFK10 (8)	13.5 - 16 in. lb.
Accepts 8 AWG stranded wire. Strip length 0.433		
63AYC10B	Terminals M6 (2)	54 - 58 in. lb.
	Phoenix Contacts HDFK16 (8)	22 - 24.5 in. lb.
Accepts 6 AWG stranded wire. Strip length 0.630		
80/110/150 AYC10B	Terminals M10 (2)	56 - 60 in. lb.
	Phoenix Contacts HDFK50 (8)	53 - 55 in. lb.
Accepts 1 AWG stranded wire. Strip length 0.945		
150AYC10B-95	Terminals M10 (2)	56 - 60 in. lb.
	Phoenix Contacts HDFK95 (8)	106-108 in. lb.
Accepts 0 AWG stranded wire. Strip length 1.063		

Part Numbers

16AYC10B	110AYC10B
25AYC10B	150AYC10B
36AYC10B	150AYC10B-95
63AYC10B	180AYC10B
80AYC10B	