

## BATTERY PROTECTION IC FOR 3-SERIAL-CELL PACK

## S-8233A Series

The S-8233A Series is a series of lithium-ion rechargeable battery protection ICs incorporating high-accuracy voltage detection circuits and delay circuits. It is suitable for a 3-serial-cell lithium-ion battery pack.

### ■ Features

- (1) Internal high-accuracy voltage detection circuit
- Over charge detection voltage 4.10 ± 0.05 V to 4.35 ± 0.05 V  
50 mV- step
  - Over charge release voltage 3.85 ± 0.10 V to 4.35 ± 0.10 V  
50 mV- step  
(The over charge release voltage can be selected within the range where a difference from over charge detection voltage is 0 V to 0.3 V)
  - Over discharge detection voltage 2.00 ± 0.08 V to 2.70 ± 0.08 V  
100 mV- step
  - Over discharge release voltage 2.00 ± 0.10 V to 3.70 ± 0.10 V  
100 mV - step  
(The over discharge release voltage can be selected within the range where a difference from over discharge detection voltage is 0 V to 1.0 V)
  - Over current detection voltage 1 0.15 ± 0.015 V to 0.5 ± 0.05 V  
50 mV-step
- (2) High input-voltage device (absolute maximum rating: 26 V)
- (3) Wide operating voltage range: 2 V to 24 V
- (4) The delay time for every detection can be set via an external capacitor.
- (5) Three over current detection levels (protection for short-circuiting)
- (6) Internal charge/discharge prohibition circuit via the control terminal
- (7) The function for charging batteries from 0 V is available.
- (8) Low current consumption
- Operation 50 μA max. (+25 °C)
  - Power-down 0.1 μA max. (+25 °C)

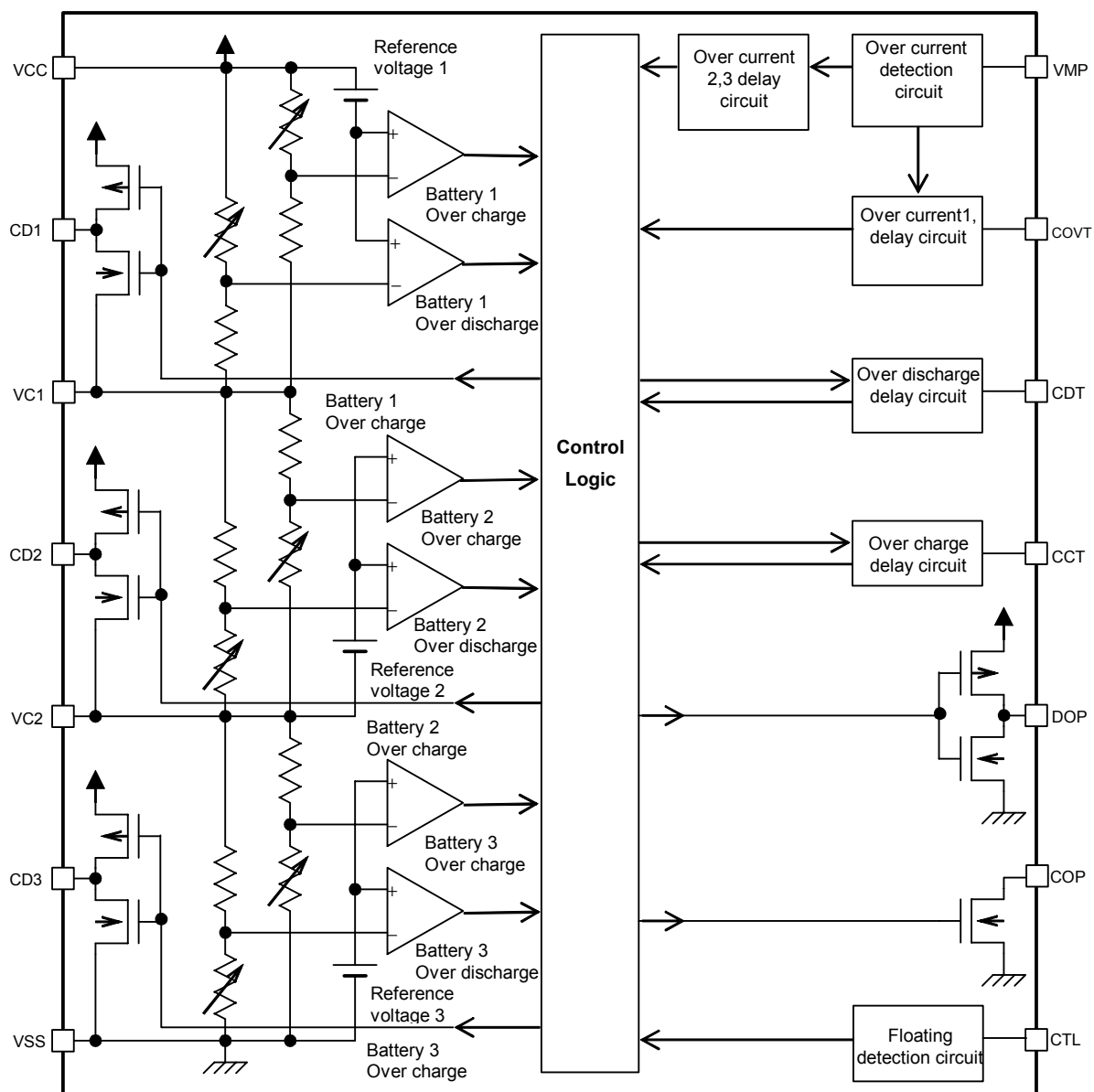
### ■ Applications

Lithium-ion rechargeable battery packs

### ■ Packages

Package Name	Drawing Code		
	Package	Tape	Reel
14-Pin SOP	FE014-A	FE014-A	FE014-A
16-Pin TSSOP	FT016-A	FT016-A	FT016-A

■ **Block Diagram**

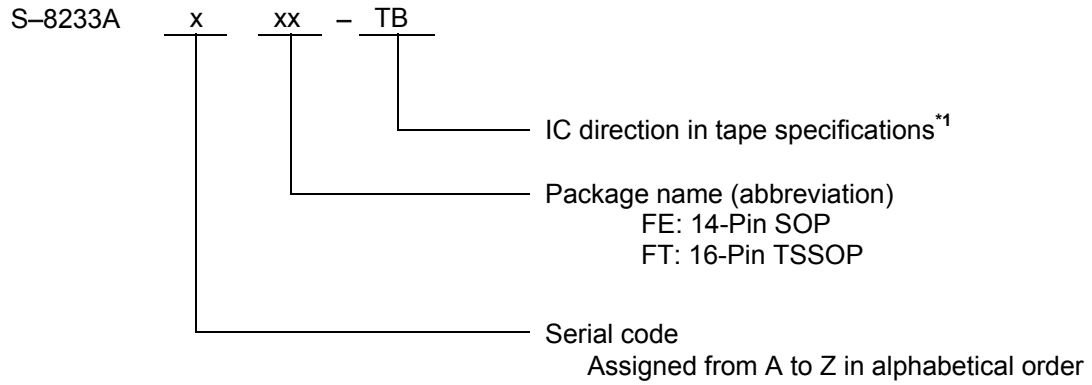


**Figure 1**

**Remark** The delay time for over current detection 2 and 3 is fixed by an internal IC circuit. The delay time cannot be changed via an external capacitor.

■ Product Name Structure

1. Product name



\*1. Refer to the taping specifications.

**2. Product name list**

- 14-Pin SOP

**Table 1**

Product name / Parameter	Overcharge detection voltage $V_{CU}$	Overcharge release voltage $V_{CD}$	Overdischarge detection voltage $V_{DD}$	Overdischarge release voltage $V_{DU}$	Overcurrent detection voltage1 $V_{IOV1}$	0 V battery charge function
S-8233ACFE-TB	4.25±0.05 V	4.05±0.10 V	2.00±0.08 V	2.30±0.10 V	0.20±0.02 V	—
S-8233ADFE-TB	4.10±0.05 V	4.10 <sup>*1</sup>	2.00±0.08 V	2.30±0.10 V	0.20±0.02 V	—
S-8233AEFE-TB	4.25±0.05 V	4.10±0.10 V	2.30±0.08 V	2.70±0.10 V	0.15±0.015 V	—
S-8233AFFE-TB	4.35±0.05 V	4.05±0.10 V	2.40±0.08 V	2.70±0.10 V	0.50±0.05 V	Available
S-8233AGFE-TB	4.25±0.05 V	4.05±0.10 V	2.40±0.08 V	2.70±0.10 V	0.40±0.04 V	Available
S-8233AIFE-TB	4.25±0.05 V	4.10±0.10 V	2.30±0.08 V	3.00±0.10 V	0.15±0.015 V	—
S-8233AJFE-TB	4.35±0.05 V	4.05±0.10 V	2.40±0.08 V	2.70±0.10 V	0.30±0.03 V	—
S-8233AKFE-TB	4.35±0.05 V	4.05±0.10 V	2.40±0.08 V	2.70±0.10 V	0.15±0.015 V	—
S-8233ALFE-TB	4.35±0.05 V	4.05±0.10 V	2.40±0.08 V	2.70±0.10 V	0.40±0.04 V	Available
S-8233AMFE-TB	4.35±0.05 V	4.05±0.10 V	2.40±0.08 V	2.70±0.10 V	0.30±0.03 V	Available
S-8233ANFE-TB	4.35±0.05 V	4.05±0.10 V	2.40±0.08 V	2.40±0.10 V	0.15±0.015 V	Available
S-8233AOFE-TB	4.35±0.05 V	4.05±0.10 V	2.40±0.08 V	2.70±0.10 V	0.15±0.015 V	Available
S-8233APFE-TB	4.25±0.05 V	4.05±0.10 V	2.70±0.08 V	3.00±0.10 V	0.30±0.03 V	Available
S-8233AQFE-TB	4.25±0.05 V	4.25 <sup>*1</sup>	2.70±0.08 V	3.00±0.10 V	0.30±0.03 V	Available

\*1. Without over charge detection hysteresis.

**Remark** Please contact the SII marketing department for the products with the detection voltage value other than those specified above.

- 16-Pin TSSOP

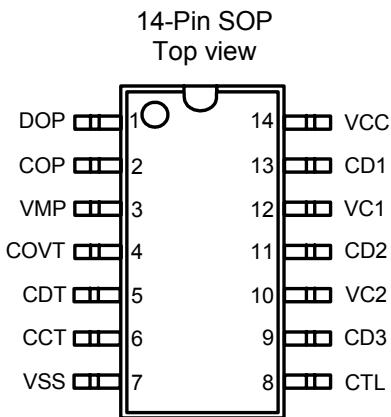
**Table 2**

Product name / Parameter	Overcharge detection voltage $V_{CU}$	Overcharge release voltage $V_{CD}$	Overdischarge detection voltage $V_{DD}$	Overdischarge release voltage $V_{DU}$	Overcurrent detection voltage1 $V_{IOV1}$	0 V battery charge function
S-8233ACFT-TB	4.25±0.05 V	4.05±0.10 V	2.00±0.08 V	2.30±0.10 V	0.20±0.02 V	—
S-8233ADFT-TB	4.10±0.05 V	4.10 <sup>*1</sup>	2.00±0.08 V	2.30±0.10 V	0.20±0.02 V	—
S-8233AEFT-TB	4.25±0.05 V	4.10±0.10 V	2.30±0.08 V	2.70±0.10 V	0.15±0.015 V	—
S-8233AFFT-TB	4.35±0.05 V	4.05±0.10 V	2.40±0.08 V	2.70±0.10 V	0.50±0.05 V	Available
S-8233AGFT-TB	4.25±0.05 V	4.05±0.10 V	2.40±0.08 V	2.70±0.10 V	0.40±0.04 V	Available
S-8233AIFT-TB	4.25±0.05 V	4.10±0.10 V	2.30±0.08 V	3.00±0.10 V	0.15±0.015 V	—
S-8233AJFT-TB	4.35±0.05 V	4.05±0.10 V	2.40±0.08 V	2.70±0.10 V	0.30±0.03 V	—
S-8233AKFT-TB	4.35±0.05 V	4.05±0.10 V	2.40±0.08 V	2.70±0.10 V	0.15±0.015 V	—
S-8233ALFT-TB	4.35±0.05 V	4.05±0.10 V	2.40±0.08 V	2.70±0.10 V	0.40±0.04 V	Available
S-8233AMFT-TB	4.35±0.05 V	4.05±0.10 V	2.40±0.08 V	2.70±0.10 V	0.30±0.03 V	Available
S-8233ANFT-TB	4.35±0.05 V	4.05±0.10 V	2.40±0.08 V	2.40±0.10 V	0.15±0.015 V	Available
S-8233AOFT-TB	4.35±0.05 V	4.05±0.10 V	2.40±0.08 V	2.70±0.10 V	0.15±0.015 V	Available
S-8233APFT-TB	4.25±0.05 V	4.05±0.10 V	2.70±0.08 V	3.00±0.10 V	0.30±0.03 V	Available
S-8233ARFT-TB	4.35±0.05 V	4.05±0.10 V	2.00±0.08 V	2.70±0.10 V	0.30±0.03 V	Available

\*1. Without over charge detection hysteresis.

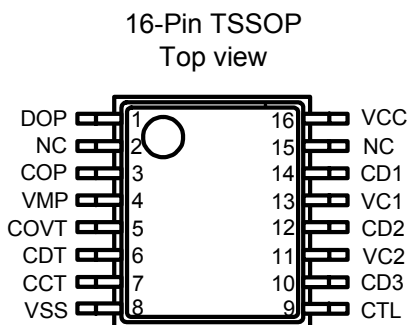
**Remark** Please contact the SII marketing department for the products with the detection voltage value other than those specified above.

### ■ Pin Assignment



**Table 3**

Pin No.	Symbol	Pin description
1	DOP	Connects FET gate for discharge control (CMOS output)
2	COP	Connects FET gate for charge control (Nch open-drain output)
3	VMP	Detects voltage between VCC to VMP(Over current detection pin)
4	COVT	Connects capacitor for over current detection delay circuit
5	CDT	Connects capacitor for over discharge detection delay circuit
6	CCT	Connects capacitor for over charge detection delay circuit
7	VSS	Negative power input, and connects negative voltage for battery 3
8	CTL	Charge/discharge control signal input
9	CD3	Battery 3 conditioning signal output
10	VC2	Connects battery 2 negative voltage and battery 3 positive voltage
11	CD2	Battery 2 conditioning signal output
12	VC1	Connects battery 1 negative voltage and battery 2 positive voltage
13	CD1	Battery 1 conditioning signal output
14	VCC	Positive power input and connects battery 1 positive voltage



**Table 4**

Pin No.	Symbol	Pin description
1	DOP	Connects FET gate for discharge control (CMOS output)
2	NC	No connection <sup>*1</sup>
3	COP	Connects FET gate for charge control (Nch open-drain output)
4	VMP	Detects voltage between VCC to VMP(Over current detection pin)
5	COVT	Connects capacitor for over current detection delay circuit
6	CDT	Connects capacitor for over discharge detection delay circuit
7	CCT	Connects capacitor for over charge detection delay circuit
8	VSS	Negative power input, and connects negative voltage for battery 3
9	CTL	Charge/discharge control signal input
10	CD3	Battery 3 conditioning signal output
11	VC2	Connects battery 2 negative voltage and battery 3 positive voltage
12	CD2	Battery 2 conditioning signal output
13	VC1	Connects battery 1 negative voltage and battery 2 positive voltage
14	CD1	Battery 1 conditioning signal output
15	NC	No connection <sup>*1</sup>
16	VCC	Positive power input and connects battery 1 positive voltage

\*1. The NC pin is electrically open. The NC pin can be connected to VCC or VSS.

■ **Absolute Maximum Ratings**

**Table 5**

(Ta = 25 °C unless otherwise specified)

Parameter	Symbol	Applicable Pins	Absolute Maximum Ratings		Unit
Input voltage between VCC and VSS	V <sub>DS</sub>	—	V <sub>SS</sub> -0.3 ~ V <sub>SS</sub> +26		V
Input pin voltage	V <sub>IN</sub>	VC1, VC2, CTL, CCT, CDT, COVT	V <sub>SS</sub> -0.3 ~ V <sub>CC</sub> +0.3		V
VMP Input terminal voltage	V <sub>VMP</sub>	VMP	V <sub>SS</sub> -0.3 ~ V <sub>SS</sub> +26		V
CD1 output terminal voltage	V <sub>CD1</sub>	CD1	V <sub>C1</sub> -0.3 ~ V <sub>CC</sub> +0.3		V
CD2 output terminal voltage	V <sub>CD2</sub>	CD2	V <sub>C2</sub> -0.3 ~ V <sub>CC</sub> +0.3		V
CD3 output terminal voltage	V <sub>CD3</sub>	CD3	V <sub>SS</sub> -0.3 ~ V <sub>CC</sub> +0.3		V
DOP output terminal voltage	V <sub>DOP</sub>	DOP	V <sub>SS</sub> -0.3 ~ V <sub>CC</sub> +0.3		V
COP output terminal voltage	V <sub>COP</sub>	COP	V <sub>SS</sub> -0.3 ~ V <sub>SS</sub> +26		V
Power dissipation	P <sub>D</sub>	—	14-Pin SOP	400	mW
		—	16-Pin TSSOP	300	mW
Operating temperature range	T <sub>opr</sub>	—	-20 ~ +70		°C
Storage temperature range	T <sub>stg</sub>	—	-40 ~ +125		°C

**Caution** The absolute maximum ratings are rated values exceeding which the product could suffer physical damage. These values must therefore not be exceeded under any conditions.

# BATTERY PROTECTION IC FOR 3-SERIAL-CELL PACK S-8233A Series

Rev.3.2\_10

## ■ Electrical Characteristics

**Table 6 (1 / 2)**

(Ta = 25 °C unless otherwise specified)

Item	Symbol	Condition	Min.	Typ.	Max.	Unit	Measurement condition	Measurement circuit
<b>Detection voltage</b>								
Over charge detection voltage1	V <sub>CU1</sub>	4.10 to 4.35 Adjustment	V <sub>CU1</sub> -0.05	V <sub>CU1</sub>	V <sub>CU1</sub> +0.05	V	1	1
Over charge release voltage1	V <sub>CD1</sub>	3.85 to 4.35 Adjustment	V <sub>CD1</sub> -0.10	V <sub>CD1</sub>	V <sub>CD1</sub> +0.10	V	1	1
Over discharge detection voltage1	V <sub>DD1</sub>	2.00 to 2.70 Adjustment	V <sub>DD1</sub> -0.08	V <sub>DD1</sub>	V <sub>DD1</sub> +0.08	V	1	1
Over discharge release voltage1	V <sub>DU1</sub>	2.00 to 3.70 Adjustment	V <sub>DU1</sub> -0.10	V <sub>DU1</sub>	V <sub>DU1</sub> +0.10	V	1	1
Over charge detection voltage 2	V <sub>CU2</sub>	4.10 to 4.35 Adjustment	V <sub>CU2</sub> -0.05	V <sub>CU2</sub>	V <sub>CU2</sub> +0.05	V	2	1
Over charge release voltage 2	V <sub>CD2</sub>	3.85 to 4.35 Adjustment	V <sub>CD2</sub> -0.10	V <sub>CD2</sub>	V <sub>CD2</sub> +0.10	V	2	1
Over discharge detection voltage 2	V <sub>DD2</sub>	2.00 to 2.70 Adjustment	V <sub>DD2</sub> -0.08	V <sub>DD2</sub>	V <sub>DD2</sub> +0.08	V	2	1
Over discharge release voltage 2	V <sub>DU2</sub>	2.00 to 3.70 Adjustment	V <sub>DU2</sub> -0.10	V <sub>DU2</sub>	V <sub>DU2</sub> +0.10	V	2	1
Over charge detection voltage3	V <sub>CU3</sub>	4.10 to 4.35 Adjustment	V <sub>CU3</sub> -0.05	V <sub>CU3</sub>	V <sub>CU3</sub> +0.05	V	3	1
Over charge release voltage3	V <sub>CD3</sub>	3.85 to 4.35 Adjustment	V <sub>CD3</sub> -0.10	V <sub>CD3</sub>	V <sub>CD3</sub> +0.10	V	3	1
Over discharge detection voltage3	V <sub>DD3</sub>	2.00 to 2.70 Adjustment	V <sub>DD3</sub> -0.08	V <sub>DD3</sub>	V <sub>DD3</sub> +0.08	V	3	1
Over discharge release voltage3	V <sub>DU3</sub>	2.00 to 3.70 Adjustment	V <sub>DU3</sub> -0.10	V <sub>DU3</sub>	V <sub>DU3</sub> +0.10	V	3	1
Over current detection voltage1 <sup>*1</sup>	V <sub>IOV1</sub>	0.15 to 0.50V Adjustment	V <sub>IOV1</sub> x 0.9	V <sub>IOV1</sub>	V <sub>IOV1</sub> x 1.1	V	4	2
Over current detection voltage 2	V <sub>IOV2</sub>	V <sub>CC</sub> Reference	0.54	0.6	0.66	V	4	2
Over current detection voltage3	V <sub>IOV3</sub>	V <sub>SS</sub> Reference	1.0	2.0	3.0	V	4	2
Voltage temperature factor 1 <sup>*2</sup>	T <sub>COE1</sub>	Ta=-20 to 70°C	-1.0	0	1.0	mV/°C	-	-
Voltage temperature factor 2 <sup>*3</sup>	T <sub>COE2</sub>	Ta=-20 to 70°C	-0.5	0	0.5	mV/°C	-	-
<b>Delay time</b>								
Over charge detection delay time1	t <sub>CU1</sub>	C <sub>CCT</sub> =0.47 μF	0.5	1.0	1.5	s	9	6
Over charge detection delay time 2	t <sub>CU2</sub>	C <sub>CCT</sub> =0.47 μF	0.5	1.0	1.5	s	10	6
Over charge detection delay time3	t <sub>CU3</sub>	C <sub>CCT</sub> =0.47 μF	0.5	1.0	1.5	s	11	6
Over discharge detection delay time1	t <sub>DD1</sub>	C <sub>CDT</sub> =0.1 μF	20	40	60	ms	9	6
Over discharge detection delay time 2	t <sub>DD2</sub>	C <sub>CDT</sub> =0.1 μF	20	40	60	ms	10	6
Over discharge detection delay time3	t <sub>DD3</sub>	C <sub>CDT</sub> =0.1 μF	20	40	60	ms	11	6
Over current detection delay time1	t <sub>IOV1</sub>	C <sub>COVT</sub> =0.1 μF	10	20	30	ms	12	7
Over current detection delay time 2	t <sub>IOV2</sub>	-	2	4	8	ms	12	7
Over current detection delay time3	t <sub>IOV3</sub>	FET gate capacitor =2000 pF	100	300	550	μs	12	7
<b>Operating voltage</b>								
Operating voltage between VCC and VSS <sup>*4</sup>	V <sub>DSOP</sub>	-	2.0	-	24	V	-	-
<b>Current consumption</b>								
Current consumption (during normal operation)	I <sub>OPE</sub>	V1=V2=V3=3.5 V	-	20	50	μA	5	3
Current consumption for cell 2	I <sub>CELL2</sub>	V1=V2=V3=3.5 V	-300	0	300	nA	5	3
Current consumption for cell 3	I <sub>CELL3</sub>	V1=V2=V3=3.5 V	-300	0	300	nA	5	3
Current consumption at power down	I <sub>PDN</sub>	V1=V2=V3=1.5 V	-	-	0.1	μA	5	3
<b>Internal resistance</b>								
Resistance between VCC and VMP	R <sub>VCM</sub>	V1=V2=V3=3.5 V	0.40	0.90	1.40	MΩ	6	3
		V1=V2=V3=3.5 V <sup>*5</sup>	0.20	0.50	0.80	MΩ	6	3
Resistance between VSS and VMP	R <sub>VSM</sub>	V1=V2=V3=1.5 V	0.40	0.90	1.40	MΩ	6	3
		V1=V2=V3=1.5 V <sup>*5</sup>	0.20	0.50	0.80	MΩ	6	3
<b>Input voltage</b>								
CTL"H" Input voltage	V <sub>CTL(H)</sub>	-	V <sub>CC</sub> x0.8	-	-	V	-	-
CTL"L" Input voltage	V <sub>CTL(L)</sub>	-	-	-	V <sub>CC</sub> x0.2	V	-	-

**Table 6 (2 / 2)**

(Ta = 25 °C unless otherwise specified)

Item	Symbol	Condition	Min.	Typ.	Max.	Unit	Measurement condition	Measurement circuit
<b>Output voltage</b>								
DOP"H" voltage	V <sub>DO(H)</sub>	I <sub>OUT</sub> =10 μA	V <sub>CC</sub> -0.5	–	–	V	7	4
DOP"L" voltage	V <sub>DO(L)</sub>	I <sub>OUT</sub> =10 μA	–	–	V <sub>SS</sub> +0.1	V	7	4
COP"L" voltage	V <sub>CO(L)</sub>	I <sub>OUT</sub> =10 μA	–	–	V <sub>SS</sub> +0.1	V	8	5
COP OFF LEAK current	I <sub>COL</sub>	V1=V2=V3=4.5 V	–	–	100	nA	14	9
CD1"H" voltage	V <sub>CD1(H)</sub>	I <sub>OUT</sub> =0.1 μA	V <sub>CC</sub> -0.5	–	–	V	13	8
CD1"L" voltage	V <sub>CD1(L)</sub>	I <sub>OUT</sub> =10 μA	–	–	V <sub>C1</sub> +0.1	V	13	8
CD 2"H" voltage	V <sub>CD2(H)</sub>	I <sub>OUT</sub> =0.1 μA	V <sub>CC</sub> -0.5	–	–	V	13	8
CD 2"L" voltage	V <sub>CD2(L)</sub>	I <sub>OUT</sub> =10 μA	–	–	V <sub>C2</sub> +0.1	V	13	8
CD3"H" voltage	V <sub>CD3(H)</sub>	I <sub>OUT</sub> =0.1 μA	V <sub>CC</sub> -0.5	–	–	V	13	8
CD3"L" voltage	V <sub>CD3(L)</sub>	I <sub>OUT</sub> =10 μA	–	–	V <sub>SS</sub> +0.1	V	13	8
<b>0 V battery charging function</b>								
0 V charging start voltage	V <sub>0CHAR</sub>	–*5	–	–	1.4	V	15	10

- \*1. If over current detection voltage 1 is 0.50 V, both over current detection voltages 1 and 2 are 0.54 to 0.55 V, but V<sub>IOV2</sub> > V<sub>IOV1</sub>.
- \*2. Voltage temperature factor 1 indicates over charge detection voltage, over charge release voltage, over discharge detection voltage, and over discharge release voltage.
- \*3. Voltage temperature factor 2 indicates over current detection voltage.
- \*4. The DOP and COP logic must be established for the operating voltage.
- \*5. This spec applies for only 0 V battery charging function available type.



## ■ Measurement Circuits

### (1) Measurement 1 Measurement circuit 1

Set V1, V2, and V3 to 3.5 V under normal condition. Increase V1 from 3.5 V gradually. The V1 voltage when COP = 'H' is over charge detection voltage 1 ( $V_{CU1}$ ). Decrease V1 gradually. The V1 voltage when COP = 'L' is over charge release voltage 1 ( $V_{CD1}$ ). Further decrease V1. The V1 voltage when DOP = 'H' is over discharge voltage 1 ( $V_{DD1}$ ). Increase V1 gradually. The V1 voltage when DOP = 'L' is over discharge release voltage 1 ( $V_{DU1}$ ).

**Remark** The voltage change rate is 150 V/s or less.

### (2) Measurement 2 Measurement circuit 1

Set V1, V2, and V3 to 3.5 V under normal condition. Increase V2 from 3.5 V gradually. The V2 voltage when COP = 'H' is over charge detection voltage 2 ( $V_{CU2}$ ). Decrease V2 gradually. The V2 voltage when COP = 'L' is over charge release voltage 2 ( $V_{CD2}$ ). Further decrease V2. The V2 voltage when DOP = 'H' is over discharge voltage 2 ( $V_{DD2}$ ). Increase V2 gradually. The V2 voltage when DOP = 'L' is over discharge release voltage 2 ( $V_{DU2}$ ).

**Remark** The voltage change rate is 150 V/s or less.

### (3) Measurement 3 Measurement circuit 1

Set V1, V2, and V3 to 3.5 V under normal condition. Increase V3 from 3.5 V gradually. The V3 voltage when COP = 'H' is over charge detection voltage 3 ( $V_{CU3}$ ). Decrease V3 gradually. The V3 voltage when COP = 'L' is over charge release voltage 3 ( $V_{CD3}$ ). Further decrease V3. The V3 voltage when DOP = 'H' is over discharge voltage 3 ( $V_{DD3}$ ). Increase V3 gradually. The V3 voltage when DOP = 'L' is over discharge release voltage 3 ( $V_{DU3}$ ).

**Remark** The voltage change rate is 150 V/s or less.

### (4) Measurement 4 Measurement circuit 2

Set V1, V2, V3 to 3.5 V and V4 to 0 V under normal condition. Increase V4 from 0 V gradually. The V4 voltage when DOP = 'H' and COP = 'H', is over current detection voltage 1 ( $V_{IOV1}$ ).

Set V1, V2, and V3 to 3.5 V and V4 to 0 V under normal condition. Fix the COVT terminal at  $V_{SS}$ , increase V4 from 0 V gradually. The V4 voltage when DOP = 'H' and COP = 'H' is over current detection voltage 2 ( $V_{IOV2}$ ).

Set V1, V2, and V3 to 3.5 V and V4 to 0 V under normal condition. Fix the COVT terminal at  $V_{SS}$ , increase V4 gradually from 0 V at 400  $\mu$ s to 2 ms. The V4 voltage when DOP = 'H' and COP = 'H' is over current detection voltage 3 ( $V_{IOV3}$ ).

### (5) Measurement 5 Measurement circuit 3

Set S1 to ON, V1, V2, and V3 to 3.5 V, and V4 to 0 V under normal condition and measure current consumption. I1 is the normal condition current consumption ( $I_{OPE}$ ), I2, the cell 2 current consumption ( $I_{CELL2}$ ), and I3, the cell 3 current consumption ( $I_{CELL3}$ ).

Set S1 to ON, V1, V2, and V3 to 1.5 V, and V4 to 4.5 V under over discharge condition. Current consumption I1 is power-down current consumption ( $I_{PDN}$ ).

### (6) Measurement 6 Measurement circuit 3

Set S1 to ON, V1, V2, and V3 to 3.5 V, and V4 to 10.5 V under normal condition.  $V4/I4$  is the internal resistance between VCC and VMP ( $R_{VCM}$ ).

Set S1 to ON, V1, V2, and V3 to 1.5 V, and V4 to 4.1 V under over discharge condition.  $(4.5-V4)/I4$  is the internal resistance between VSS and VMP ( $R_{VSM}$ ).

**(7) Measurement 7 Measurement circuit 4**

Set S1 to ON, S2 to OFF, V1, V2, and V3 to 3.5 V, and V4 to 0 V under normal condition. Increase V5 from 0 V gradually. The V5 voltage when I1 = 10  $\mu$ A is DOP'L' voltage ( $V_{DO(L)}$ ).

Set S1 to OFF, S2 to ON, V1, V2, V3 to 3.5 V, and V4 to  $V_{IOV2}+0.1$  V under over current condition.

Increase V6 from 0 V gradually. The V6 voltage when I2 = 10  $\mu$ A is the DOP'H' voltage ( $V_{DO(H)}$ ).

**(8) Measurement 8 Measurement circuit 5**

Set V1, V2, V3 to 3.5 V and V4 to 0 V under normal condition. Increase V5 from 0 V gradually. The V5 voltage when I1 = 10  $\mu$ A is the COP'L' voltage ( $V_{CO(L)}$ ).

**(9) Measurement 9 Measurement circuit 6**

Set V1, V2, V3 to 3.5 V under normal condition. Increase V1 from 3.5 V to 4.5 V immediately (within 10  $\mu$ s). The time after V1 becomes 4.5 V until COP goes 'H' is the over charge detection delay time 1 ( $t_{CU1}$ ).

Set V1, V2, V3 to 3.5 V under normal condition. Decrease V1 from 3.5 V to 1.9 V immediately (within 10  $\mu$ s). The time after V1 becomes 1.9 V until DOP goes 'H' is the over discharge detection delay time 1 ( $t_{DD1}$ ).

**(10) Measurement 10 Measurement circuit 6**

Set V1, V2, V3 to 3.5 V under normal condition. Increase V2 from 3.5 V to 4.5 V immediately (within 10  $\mu$ s). The time after V2 becomes 4.5 V until COP goes 'H' is the over charge detection delay time 2 ( $t_{CU2}$ ).

Set V1, V2, V3 to 3.5 V under normal condition. Decrease V2 from 3.5 V to 1.9 V immediately (within 10  $\mu$ s). The time after V2 becomes 1.9 V until DOP goes 'H' is the over discharge detection delay time 2 ( $t_{DD2}$ ).

**(11) Measurement 11 Measurement circuit 6**

Set V1, V2, V3 to 3.5 V under normal condition. Increase V3 from 3.5 V to 4.5 V immediately (within 10  $\mu$ s). The time after V3 becomes 4.5 V until COP goes 'H' is the over charge detection delay time 3 ( $t_{CU3}$ ).

Set V1, V2, V3 to 3.5 V under normal condition. Decrease V3 from 3.5 V to 1.9 V immediately (within 10  $\mu$ s). The time after V3 becomes 1.9 V until DOP goes 'H' is the over discharge detection delay time 3 ( $t_{DD3}$ ).

**(12) Measurement 12 Measurement circuit 7**

Set V1, V2, V3 to 3.5 V and S1 to OFF under normal condition. Increase V4 from 0 V to 0.55 V immediately (within 10  $\mu$ s). The time after V4 becomes 0.55 V until DOP goes 'H' is the over current detection delay time 1 ( $t_{IOV1}$ ).

Set V1, V2, V3 to 3.5 V and S1 to OFF under normal condition. Increase V4 from 0 V to 0.75 V immediately (within 10  $\mu$ s). The time after V4 becomes 0.75 V until DOP goes 'H' is the over current detection delay time 2 ( $t_{IOV2}$ ).

Set S1 to ON to inhibit over discharge detection. Set V1, V2, V3 to 4.0 V and increase V4 from 0 V to 6.0 V immediately (within 1  $\mu$ s) and decrease V1, V2, and V3 to 2.0 V at a time. The time after V4 becomes 6.0 V until DOP goes 'H' is the over current detection delay time 3 ( $t_{IOV3}$ ).

**(13) Measurement 13 Measurement circuit 8**

Set S4 to ON, S1, S2, S3, S5, and S6 to OFF, V1, V2, V3 to 3.5 V and V4, V6, and V7 to 0 V under normal condition. Increase V5 from 0 V gradually. The V5 voltage when  $I_2 = 10 \mu\text{A}$  is the CD1'L' voltage ( $V_{\text{CD1(L)}}$ ).

Set S5 to ON, S1, S2, S3, S4, and S6 to OFF, V1, V2, and V3 to 3.5 V and V4, V5, and V7 to 0 V under normal condition. Increase V6 from 0 V gradually. The V6 voltage when  $I_3 = 10 \mu\text{A}$  is the CD2'L' voltage ( $V_{\text{CD2(L)}}$ ).

Set S6 to ON, S1, S2, S3, S4, and S5 to OFF, V1, V2, and V3 to 3.5 V and V4, V5, and V6 to 0 V under normal condition. Increase V7 from 0 V gradually. The V7 voltage when  $I_4 = 10 \mu\text{A}$  is the CD3'L' voltage ( $V_{\text{CD3(L)}}$ ).

Set S1 to ON, S2, S3, S4, S5, and S6 to OFF, V1 to 4.5 V, V2 and V3 to 3.5 V and V5, V6, and V7 to 0 V under over charge condition. Increase V4 from 0 V gradually. The V4 voltage when  $I_1 = 0.1 \mu\text{A}$  is the CD1'H' voltage ( $V_{\text{CD1(H)}}$ ).

Set S2 to ON, S1, S3, S4, S5, and S6 to OFF, V2 to 4.5 V, V1 and V3 to 3.5 V and V5, V6, and V7 to 0 V under over charge condition. Increase V4 from 0 V gradually. The V4 voltage when  $I_1 = 0.1 \mu\text{A}$  is the CD2'H' voltage ( $V_{\text{CD2(H)}}$ ).

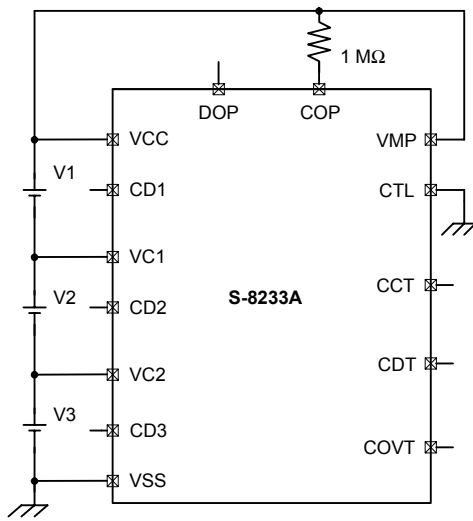
Set S3 to ON, S1, S2, S4, S5, and S6 to OFF, V3 to 4.5 V, V1 and V2 to 3.5 V and V5, V6, and V7 to 0 V under over charge condition. Increase V4 from 0 V gradually. The V4 voltage when  $I_1 = 0.1 \mu\text{A}$  is the CD3'H' voltage ( $V_{\text{CD3(H)}}$ ).

**(14) Measurement 14 Measurement circuit 9**

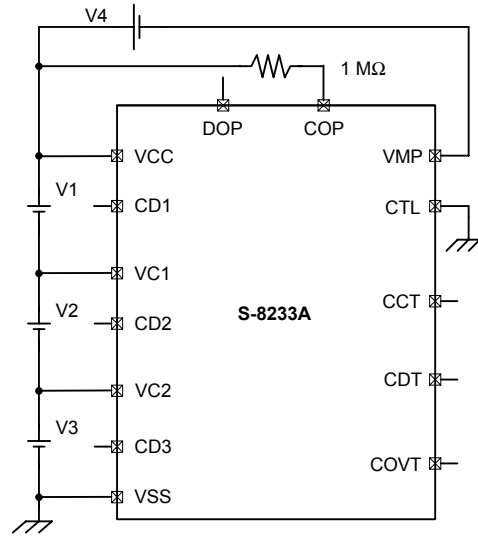
Set V1, V2, and V3 to 4.5 V under over charge condition. The current  $I_1$  flowing to COP terminal is COP OFF LEAK current ( $I_{\text{COL}}$ ).

**(15) Measurement 15 Measurement circuit 10**

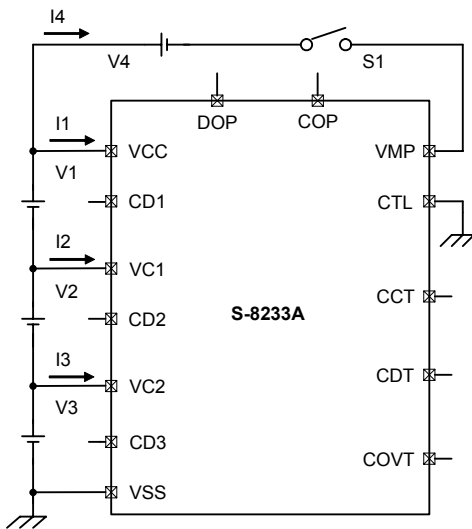
Set V1, V2, and V3 to 0 V, and V8 to 2 V, and decrease V8 gradually. The V8 voltage when COP = 'H' ( $V_{\text{SS}} + 0.1 \text{ V}$  or higher) is the 0V charge start voltage ( $V_{\text{0CHAR}}$ ).



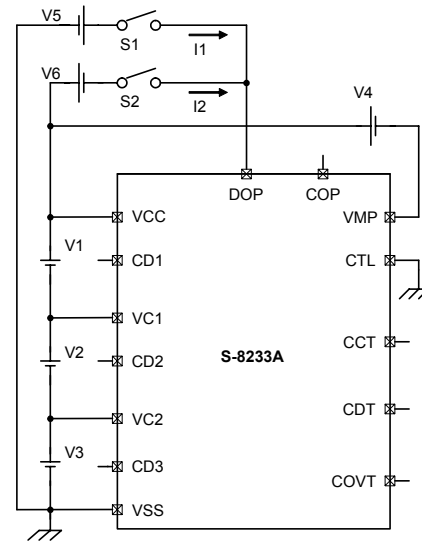
**Measurement circuit 1**



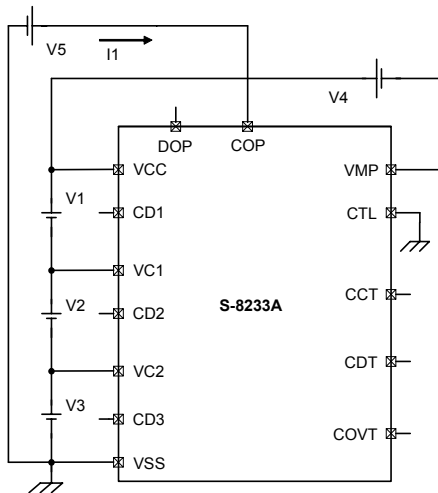
**Measurement circuit 2**



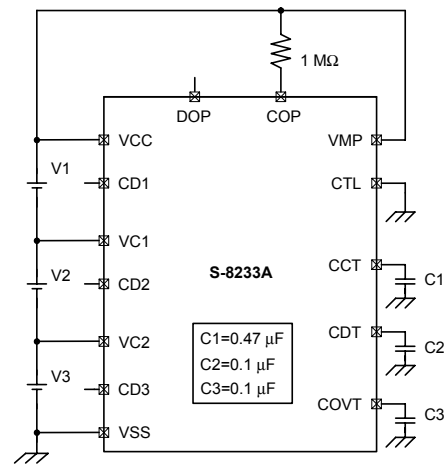
**Measurement circuit 3**



**Measurement circuit 4**



**Measurement circuit 5**

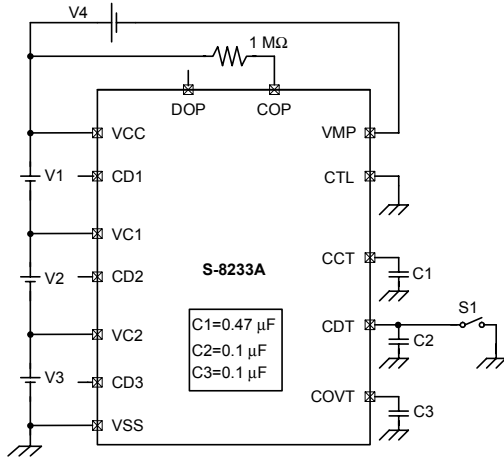


**Measurement circuit 6**

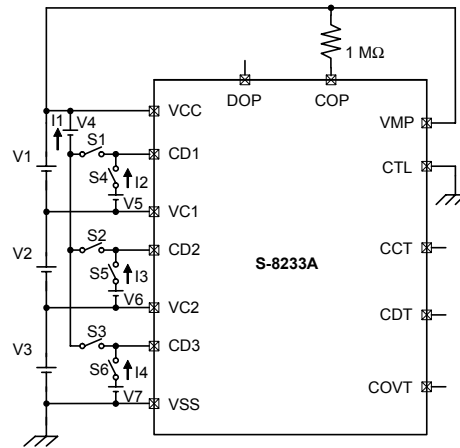
**Figure 4 (1/2)**

**BATTERY PROTECTION IC FOR 3-SERIAL-CELL PACK  
S-8233A Series**

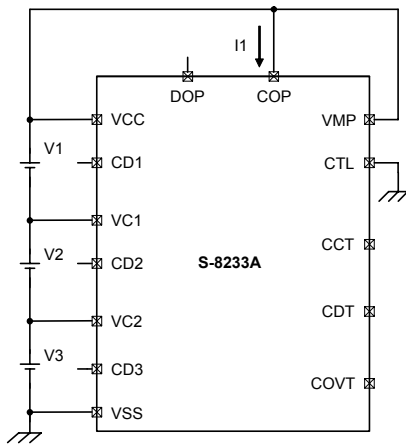
Rev.3.2\_10



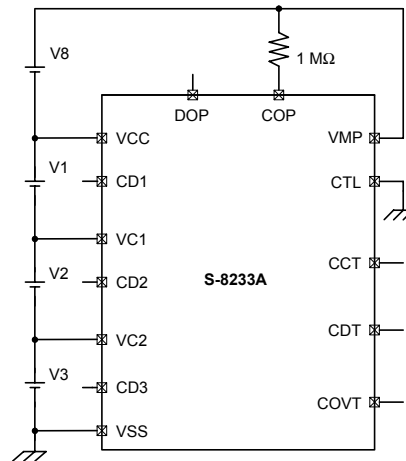
**Measurement circuit 7**



**Measurement circuit 8**



**Measurement circuit 9**



**Measurement circuit 10**

**Figure 4 (2/2)**

## ■ Operation

**Remark** Refer to “**Battery Protection IC Connection Example**”.

### Normal condition

This IC monitors the voltages of the three serially-connected batteries and the discharge current to control charging and discharging. If the voltages of all the three batteries are in the range from the over discharge detection voltage ( $V_{DD}$ ) to the over charge detection voltage ( $V_{CU}$ ), and the current flowing through the batteries becomes equal or lower than a specified value (the VMP terminal voltage is equal or lower than over current detection voltage 1), the charging and discharging FETs turn on. In this condition, charging and discharging can be carried out freely. This condition is called the normal condition. In this condition, the VMP and VCC terminals are shorted by the  $R_{VCM}$  resistor.

### Over current condition

This IC is provided with the three over current detection levels ( $V_{IOV1}$ ,  $V_{IOV2}$  and  $V_{IOV3}$ ) and the three over current detection delay time ( $t_{IOV1}$ ,  $t_{IOV2}$  and  $t_{IOV3}$ ) corresponding to each over current detection level. If the discharging current becomes equal to or higher than a specified value (the VMP terminal voltage is equal to or higher than the over current detection voltage) during discharging under normal condition and it continues for the over current detection delay time ( $t_{IOV}$ ) or longer, the discharging FET turns off to stop discharging. This condition is called an over current condition. The VMP and VCC terminals are shorted by the  $R_{VCM}$  resistor at this time. The charging FET turns off.

When the discharging FET is off and a load is connected, the VMP terminal voltage equals the  $V_{SS}$  potential.

The over current condition returns to the normal condition when the load is released and the impedance between the EB- and EB+ terminals (see **Figure 9** for a connection example) is 100 M $\Omega$  or higher. When the load is released, the VMP terminal, which and the VCC terminal are shorted with the  $R_{VCM}$  resistor, goes back to the  $V_{CC}$  potential. The IC detects that the VMP terminal potential returns to over current detection voltage 1 ( $V_{IOV1}$ ) or lower (or the over current detection voltage 2 ( $V_{IOV2}$ ) or lower if the COVT terminal is fixed at the 'L' level and over current detection 1 is inhibited) and returns to the normal condition.

### Over charge condition

If one of the battery voltages becomes higher than the over charge detection voltage ( $V_{CU}$ ) during charging under normal condition and it continues for the over charge detection delay time ( $t_{CU}$ ) or longer, the charging FET turns off to stop charging. This condition is called the over charge condition. The 'H' level signal is output to the conditioning terminal corresponding to the battery which exceeds the over charge detection voltage until the battery becomes equal to lower than the over charge release voltage ( $V_{CD}$ ). The battery can be discharged by connecting an Nch FET externally. The discharging current can be limited by inserting R11, R12 and R13 resistors (see **Figure 9** for a connection example). The VMP and VCC terminals are shorted by the  $R_{VCM}$  resistor under the over charge condition.

The over charge condition is released in two cases:

- 1) The battery voltage which exceeded the over charge detection voltage ( $V_{CU}$ ) falls below the over charge release voltage ( $V_{CD}$ ), the charging FET turns on and the normal condition returns.
- 2) If the battery voltage which exceeded the over charge detection voltage ( $V_{CU}$ ) is equal or higher than the over charge release voltage ( $V_{CD}$ ), but the charger is removed, a load is placed, and discharging starts, the charging FET turns on and the normal condition returns.

The release mechanism is as follows: the discharge current flows through an internal parasitic diode of the charging FET immediately after a load is installed and discharging starts, and the VMP terminal voltage decreases by about 0.6 V from the VCC terminal voltage momentarily. The IC detects this voltage (over current detection voltage 1 or higher), releases the over charge condition and returns to the normal condition.

### Over discharge condition

If any one of the battery voltages falls below the over discharge detection voltage ( $V_{DD}$ ) during discharging under normal condition and it continues for the over discharge detection delay time ( $t_{DD}$ ) or longer, the discharging FET turns off and discharging stops. This condition is called the over discharge condition. When the discharging FET turns off, the VMP terminal voltage becomes equal to the VSS voltage and the IC's current consumption falls below the power-down current consumption ( $I_{PDN}$ ). This condition is called the power-down condition. The VMP and VSS terminals are shorted by the  $R_{VSM}$  resistor under the over discharge and power-down conditions.

The power-down condition is canceled when the charger is connected and the voltage between VMP and VSS is 3.0 V or higher (over current detection voltage 3). When all the battery voltages becomes equal to or higher than the over discharge release voltage ( $V_{DU}$ ) in this condition, the over discharge condition changes to the normal condition.

### Delay circuits

The over charge detection delay time ( $t_{CU1}$  to  $t_{CU3}$ ), over discharge detection delay time ( $t_{DD1}$  to  $t_{DD3}$ ), and over current detection delay time 1 ( $t_{IOV1}$ ) are changed with external capacitors (C4 to C6).

The delay times are calculated by the following equations:

	Min.	Typ.	Max.
$t_{CU}[s]$ =Delay factor (	1.07,	2.13,	3.19)
$t_{DD}[s]$ =Delay factor (	0.20,	0.40,	0.60)
$t_{IOV1}[s]$ =Delay factor (	0.10,	0.20,	0.30)

×C4 [uF]  
×C5 [uF]  
×C6 [uF]

**Caution: The delay time for over current detection 2 and 3 is fixed by an internal IC circuit. The delay time cannot be changed via an external capacitor.**

### CTL terminal

If the CTL terminal is floated under normal condition, it is pulled up to the  $V_{CC}$  potential in the IC, and both the charging and discharging FETs turn off to inhibit charging and discharging. Both charging and discharging are also inhibited by applying the VCC terminal to the CTL terminal externally. At this time, the VMP and VCC terminals are shorted by the  $R_{VCM}$  resistor.

When the CTL terminal becomes equal to  $V_{SS}$  potential, charging and discharging are enabled and go back to their appropriate conditions for the battery voltages.

**Caution Please note unexpected behavior might occur when electrical potential difference between the CTL pin ('L' level) and VSS is generated through the external filter ( $R_{VSS}$  and  $C_{VSS}$ ) as a result of input voltage fluctuations.**

### 0 V battery charging function

This function is used to recharge the three serially-connected batteries after they self-discharge to 0 V. When the 0 V charging start voltage ( $V_{OCHAR}$ ) or higher is applied to between VMP and VSS by connecting the charger, the charging FET gate is fixed to  $V_{SS}$  potential.

When the voltage between the gate sources of the charging FET becomes equal to or higher than the turn-on voltage by the charger voltage, the charging FET turns on to start charging. At this time, the discharging FET turns off and the charging current flows through the internal parasitic diode in the discharging FET. If all the battery voltages become equal to or higher than the over discharge release voltage ( $V_{DU}$ ), the normal condition returns.

**Caution: In the products without 0 V battery charging function, the resistance between VCC and VMP and between VSS and VMP are lower than the products with 0 V battery charging function. It causes to that over charge detection voltage increases by the drop voltage of R5 (see Figure 9 for a connection example) with sink current at VMP. The COP output is undefined below 2.0 V on VCC-VSS voltage in the products without 0 V battery charging function.**

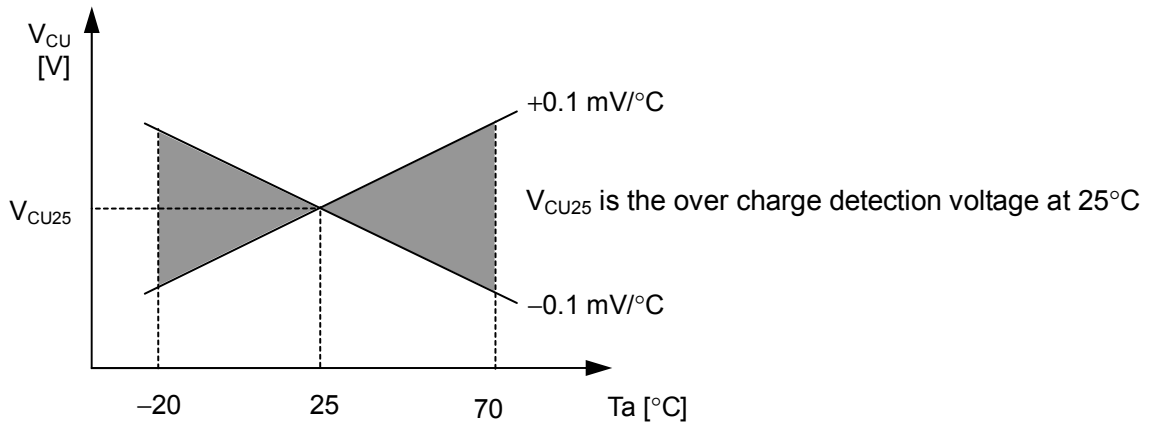
**Voltage temperature factor**

Voltage temperature factor 1 indicates over charge detection voltage, over charge release voltage, over discharge detection voltage, and over discharge release voltage.

Voltage temperature factor 2 indicates over current detection voltage.

The Voltage temperature factors 1 and 2 are expressed by the oblique line parts in **Figure 5**.

Ex. Voltage temperature factor of over charge detection voltage



**Figure 5**



■ Timing Chart

1. Overcharge detection

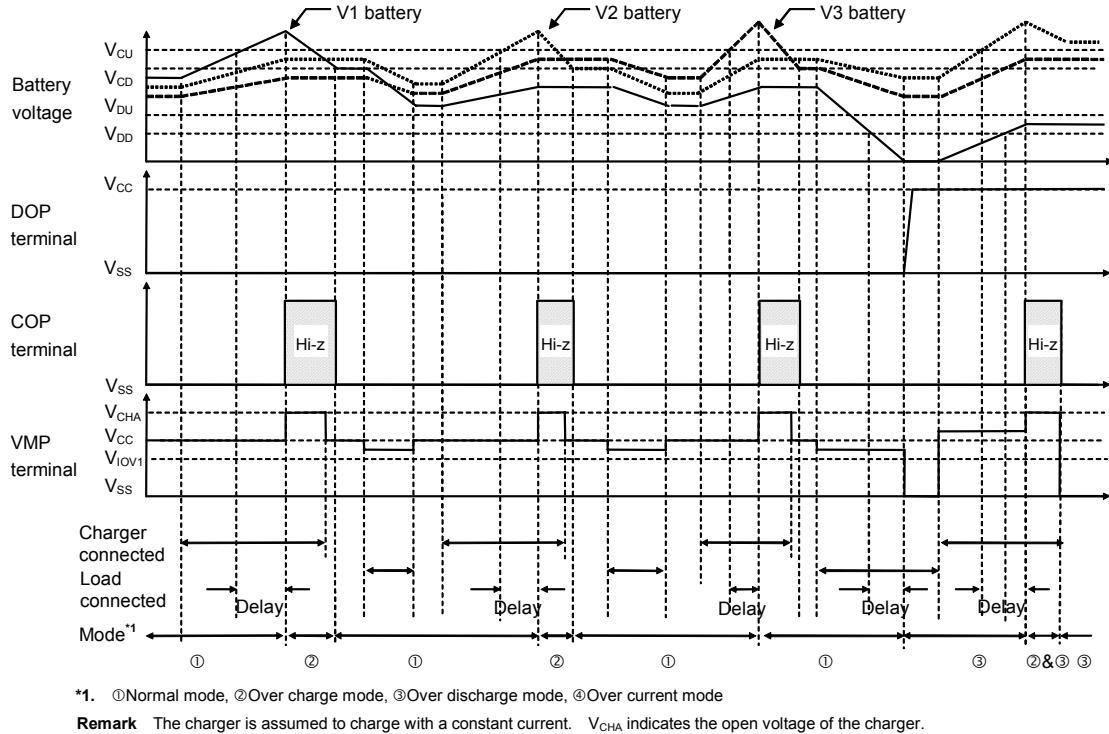


Figure 6

2. Overdischarge detection

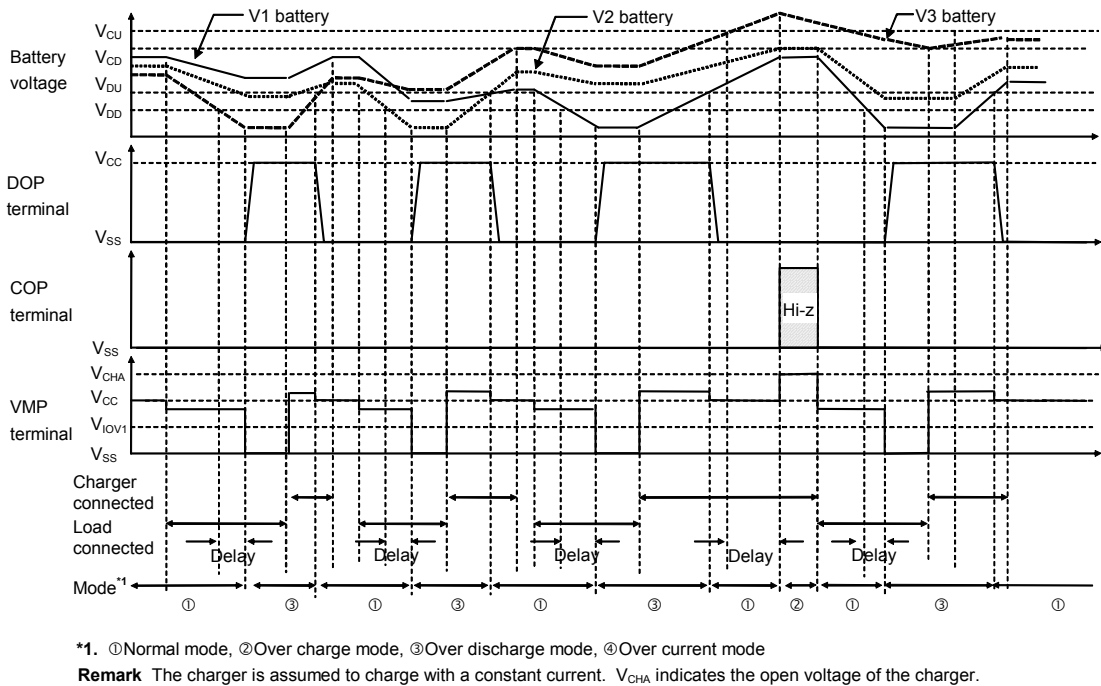
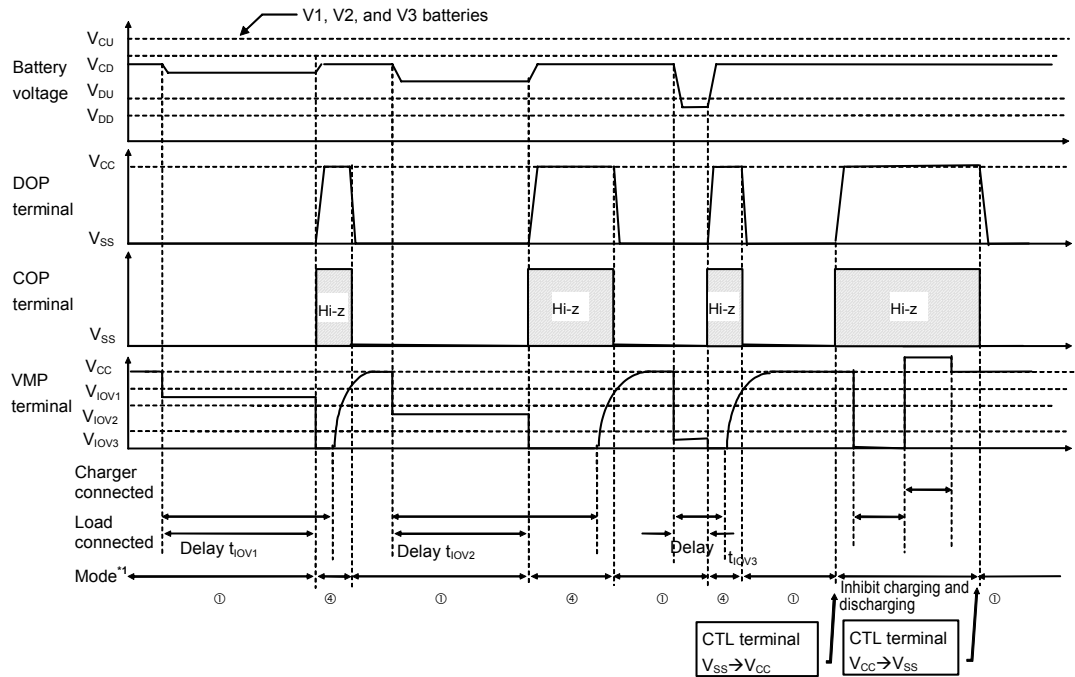


Figure 7

**3. Over current detection**

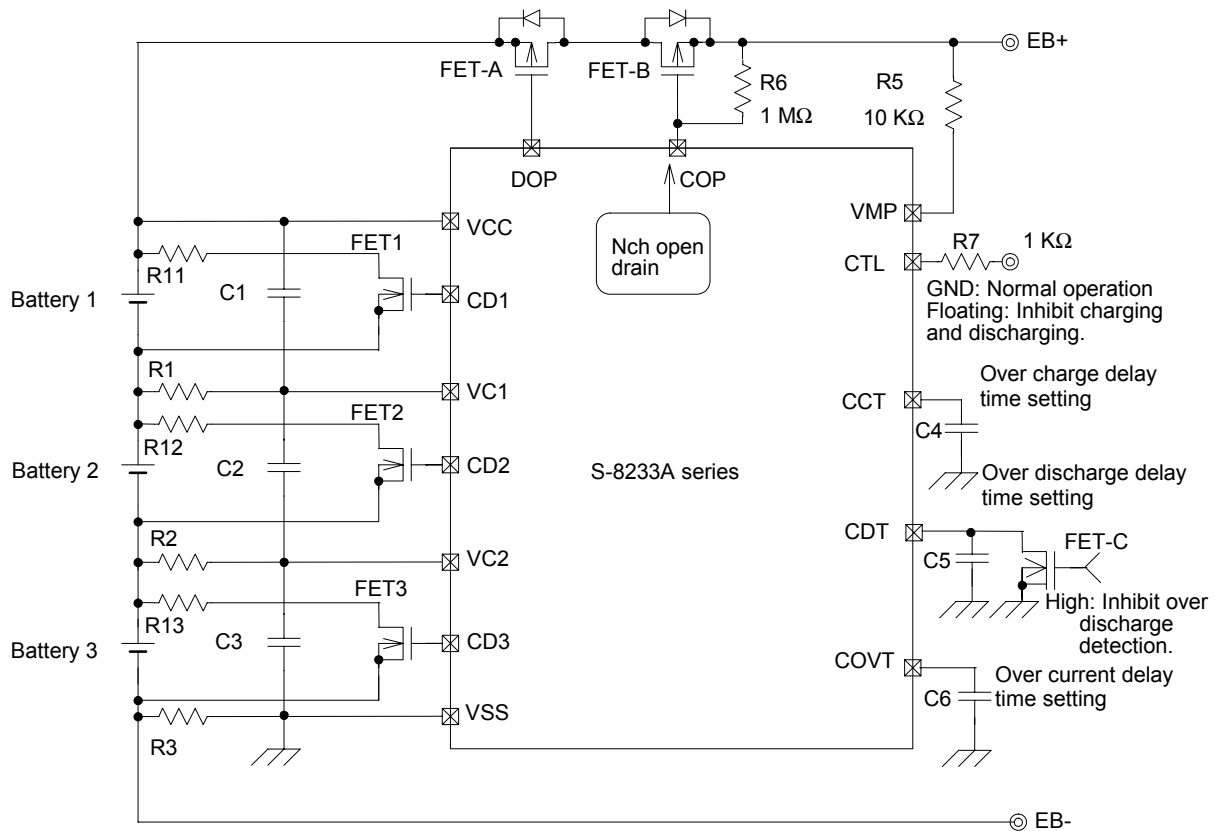


\*1. ① Normal mode, ② Over charge mode, ③ Over discharge mode, ④ Over current mode

**Remark** The charger is assumed to charge with a constant current.  $V_{CHA}$  indicates the open voltage of the charger.

**Figure 8**

■ **Battery Protection IC Connection Example**



**Figure 9**

[Description of **Figure 9**]

- R11, R12, and R13 are used to adjust the battery conditioning current. The conditioning current during over charge detection is given by  $V_{cu} / R$  ( $V_{cu}$ : over charge detection voltage/ $R$ : resistance). To disable the conditioning function, open CD1, CD2, and CD3.
- The over charge detection delay time ( $t_{cu1}$  to  $t_{cu3}$ ), over discharge detection delay time ( $t_{dd1}$  to  $t_{dd3}$ ), and over current detection delay time ( $t_{ov1}$ ) are changed with external capacitors (C4 to C6). See the electrical characteristics.
- R6 is a pull-up resistor that turns FET-B off when the COP terminal is opened. Connect a 100 k $\Omega$  to 1 M $\Omega$  resistor.
- R5 is used to protect the IC if the charger is connected in reverse. Connect a 10 k $\Omega$  to 50 k $\Omega$  resistor.
- If capacitor C6 is absent, rush current occurs when a capacitive load is connected and the IC enters the over current mode. C6 must be connected to prevent it.
- If capacitor C5 is not connected, the IC may enter the over discharge condition due to variations of battery voltage when the over current occurs. In this case, a charger must be connected to return to the normal condition. To prevent this, connect an at least 0.01  $\mu$ F capacitor to C5.
- If a leak current flows between the delay capacitor connection terminal (CCT, CDT, or COVT) and VSS, the delay time increases and an error occurs. The leak current must be 100 nA or less.
- Over discharge detection can be disabled by using FET-C. The FET-C off leak must be 0.1  $\mu$ A or less. If over discharge is inhibited by using this FET, the current consumption does not fall below 0.1  $\mu$ A even when the battery voltage drops and the IC enters the over discharge detection mode.
- R1, R2, and R3 must be 1 k $\Omega$  or less.
- R7 is the protection of the CTL when the CTL terminal voltage higher than  $V_{cc}$  voltage. Connect a 300  $\Omega$  to 5 k $\Omega$  resistor. If the CTL terminal voltage never greater than the  $V_{cc}$  voltage (ex. R7 connect to  $V_{ss}$ ), without R7 resistance is allowed.

- Caution**
1. The above constants may be changed without notice.
  2. If any electrostatic discharge of 2000 V or higher is not applied to the S-8233A series with a human body model, R1, R2, R3, C1, C2, and C3 are unnecessary.
  3. It has not been confirmed whether the operation is normal or not in circuits other than the above example of connection. In addition, the example of connection shown above and the constant do not guarantee proper operation. Perform through evaluation using the actual application to set the constant.

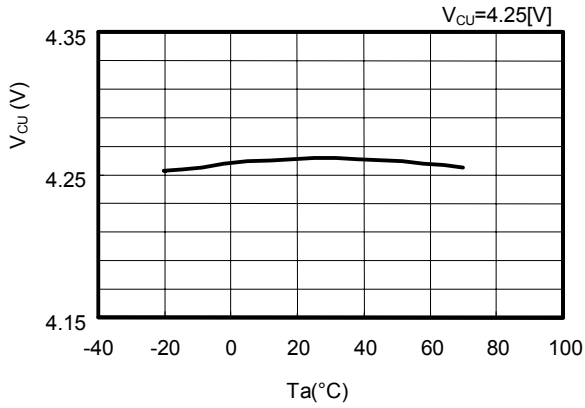
## ■ Precautions

- If a charger is connected in the over discharge condition and one of the battery voltages becomes equal to or higher than the over charge release voltage ( $V_{CU}$ ) before the battery voltage which is below the over discharge detection voltage ( $V_{DD}$ ) becomes equal to or higher than the over discharge release voltage ( $V_{DU}$ ), the over discharge and over charge conditions are entered and the charging and discharging FETs turn off. Both charging and discharging are disabled. If the battery voltage which was higher than the over charge detection voltage ( $V_{CU}$ ) falls to the over charge release voltage ( $V_{CD}$ ) due to internal discharging, the charging FET turns on. If the charger is detached in the over charge and over discharge condition, the over charge condition is released, but the over discharge condition remains. If the charger is connected again, the battery condition is monitored after that. The charging FET turns off after the over charge detection delay time, the over charge and over discharge conditions are entered.
- If any one of the battery voltages is equal to or lower than the over discharge release voltage ( $V_{DU}$ ) when they are connected for the first time, the normal condition may not be entered. If the VMP terminal voltage is made equal to or higher than the VCC voltage (if a charger is connected), the normal condition is entered.
- If the CTL terminal floats in power-down mode, it is not pulled up in the IC, charging and discharging may not be inhibited. However, the over discharge condition becomes effective. If the charger is connected, the CTL terminal is pulled up, and charging and discharging are inhibited immediately.
- Do not apply an electrostatic discharge to this IC that exceeds the performance ratings of the built-in electrostatic protection circuit.
- SII claims no responsibility for any disputes arising out of or in connection with any infringement by products including this IC of patents owned by a third party.

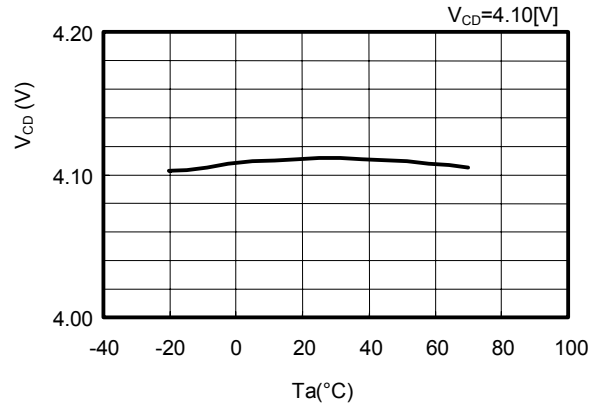
■ **Characteristics (typical characteristics)**

**1. Detection voltage temperature characteristics**

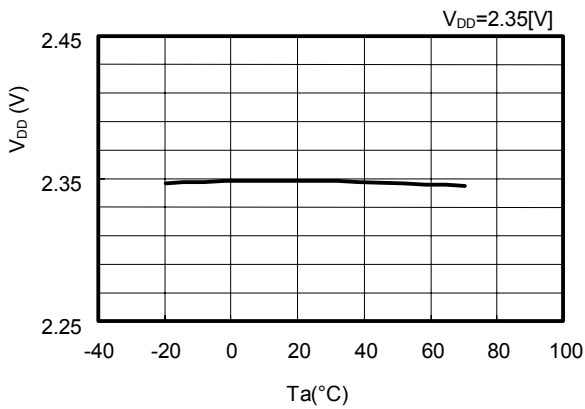
Overcharge detection voltage vs. temperature



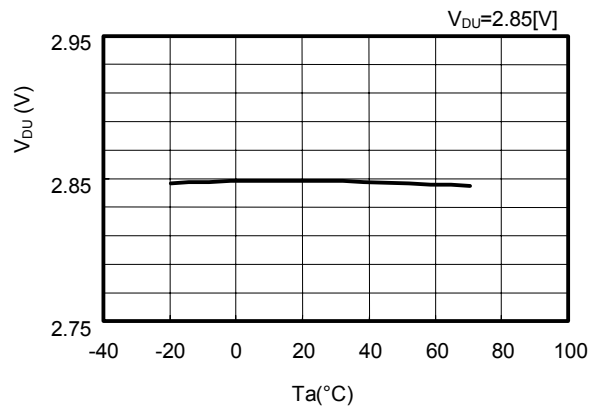
Overcharge release voltage vs. temperature



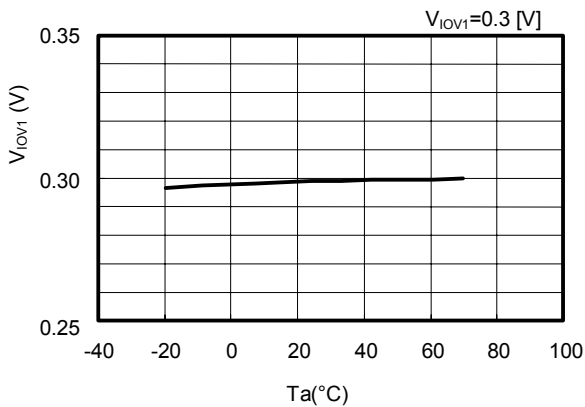
Overdischarge detection voltage vs. temperature



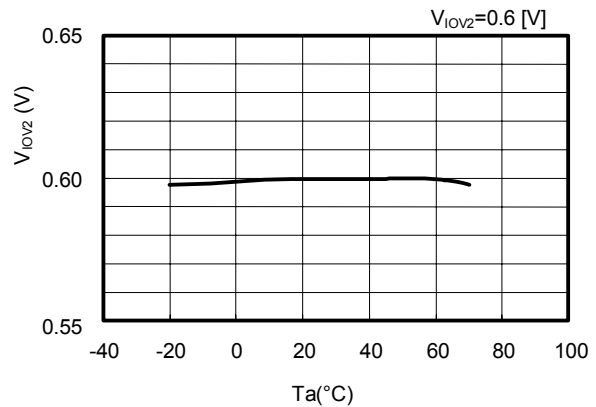
Overdischarge release voltage vs. temperature



Overcurrent1 detection voltage vs. temperature

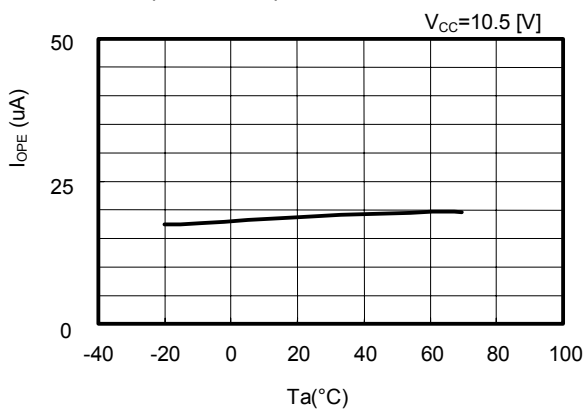


Overcurrent2 detection voltage vs. temperature

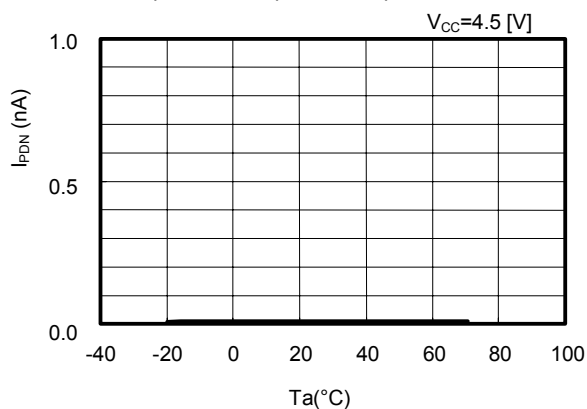


**2. Current consumption temperature characteristics**

Current consumption vs. temperature in normal mode

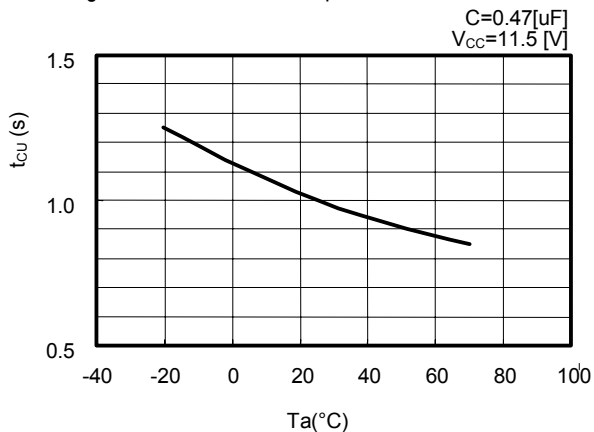


Current consumption vs. temperature in power-down mode

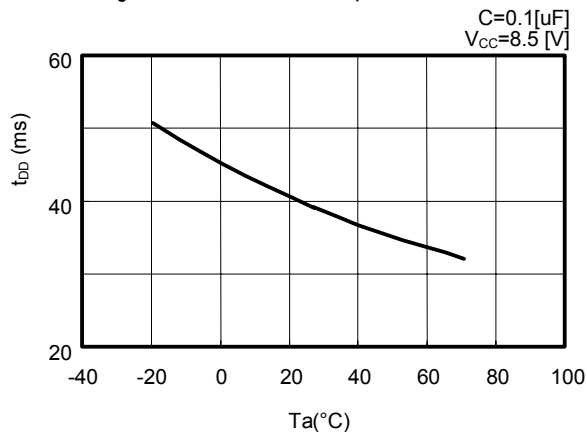


**3. Delay time temperature characteristics**

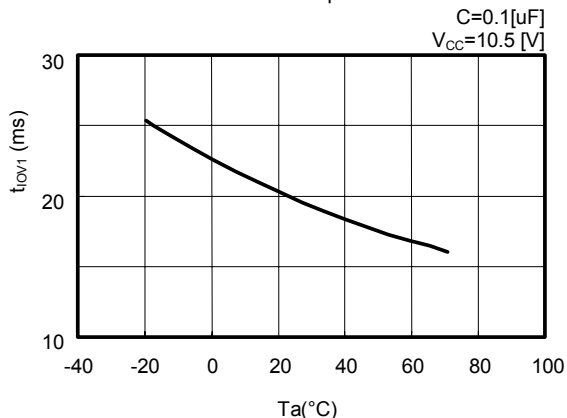
Overcharge detection time vs. temperature



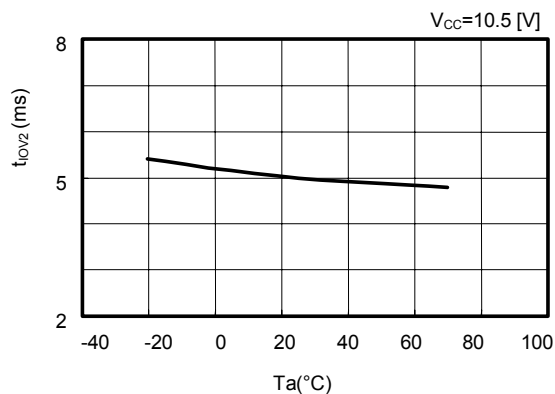
Overdischarge detection time vs. temperature



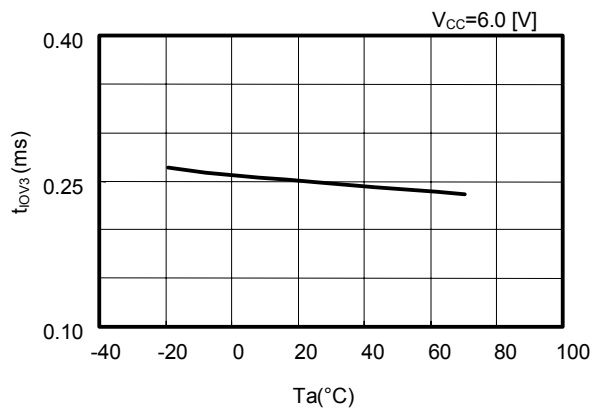
Overcurrent1 detection time vs. temperature



Overcurrent2 detection time vs. temperature

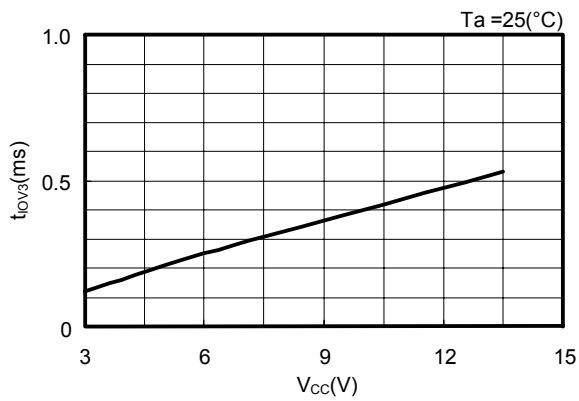


Overcurrent3 (load short) detection time vs. temperature

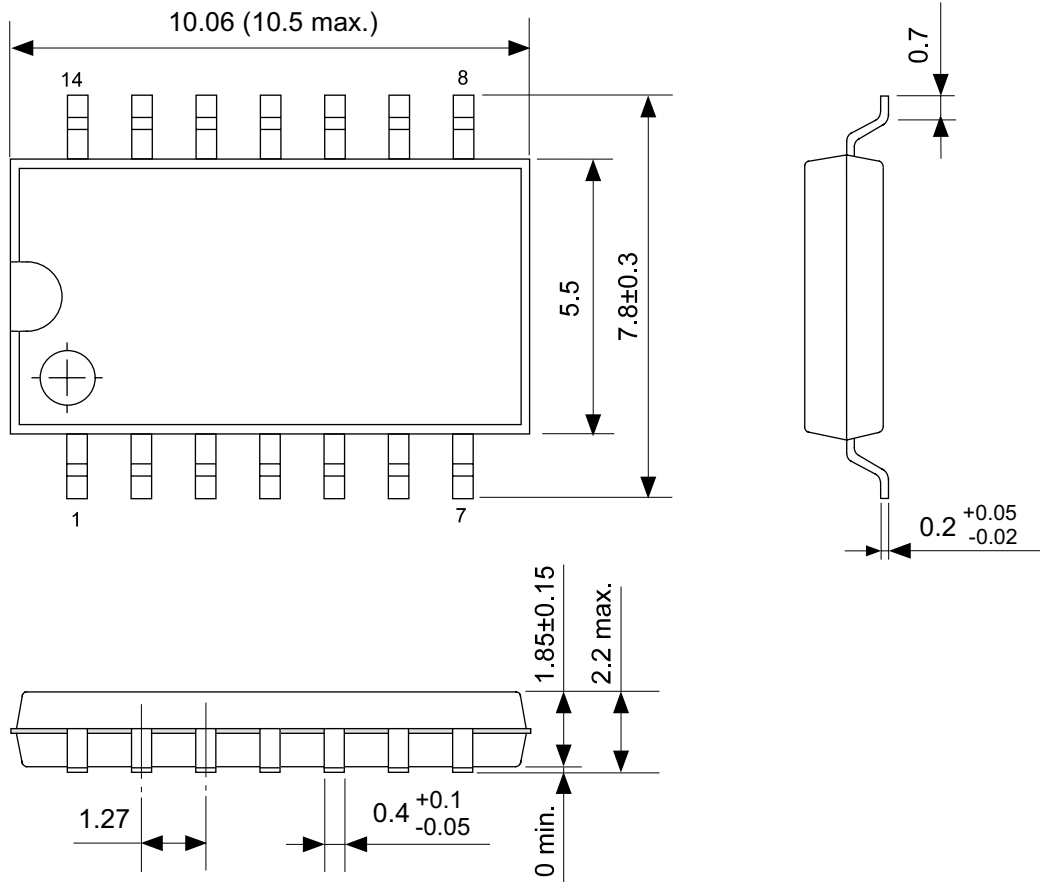


**4. Delay time vs. power supply voltage**

Over current 3 (load short) detection time vs. power supply voltage



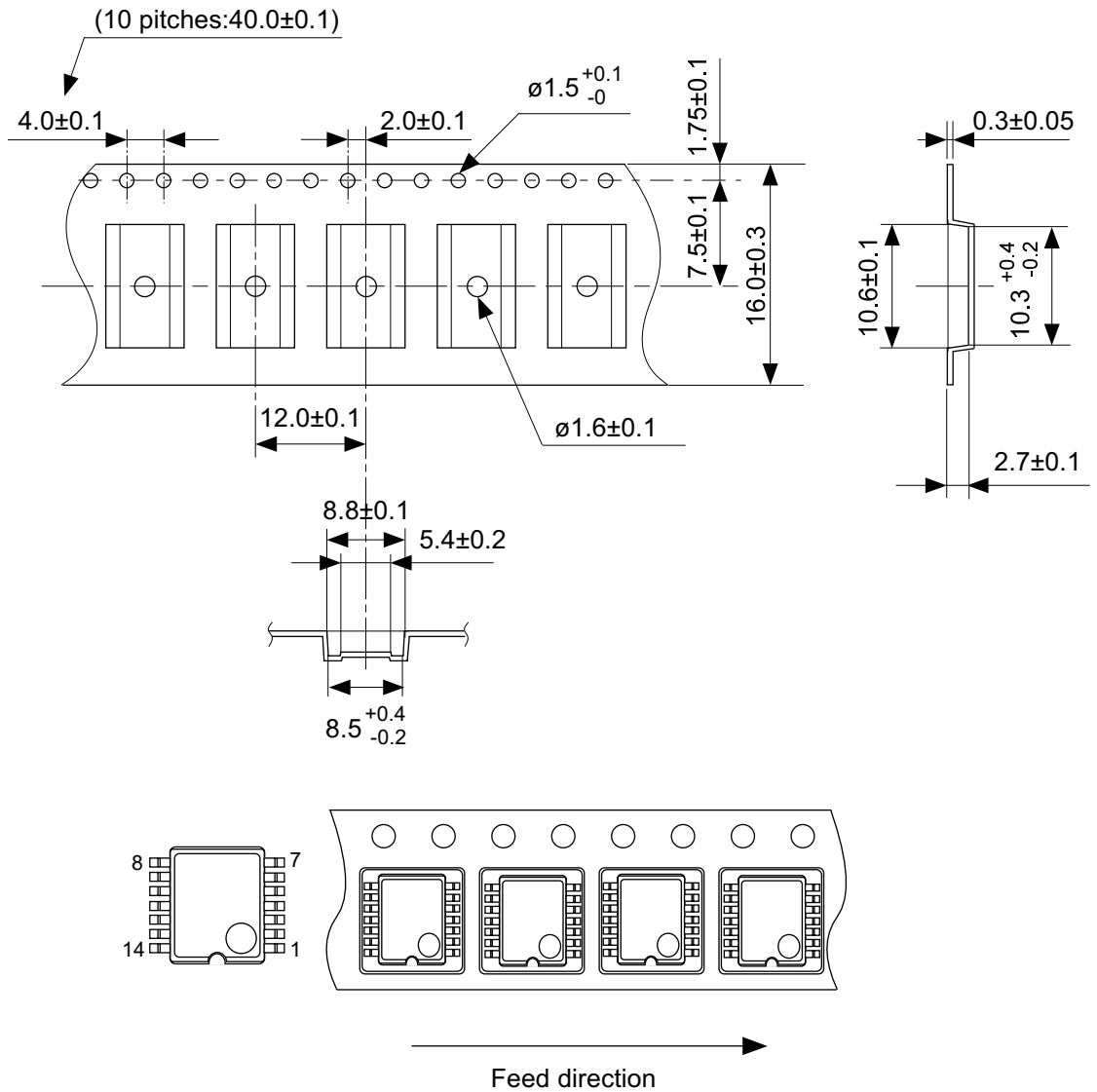
**Caution Please design all applications of the S-8233A Series with safety in mind.**



No. FE014-A-P-SD-1.1

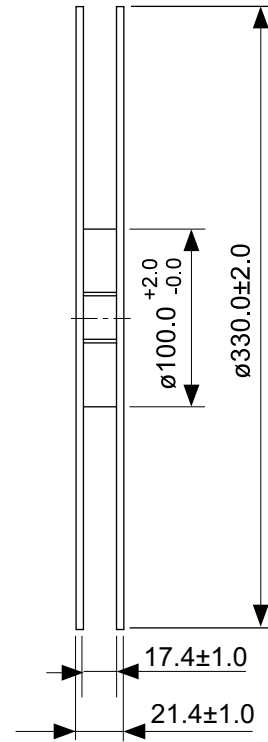
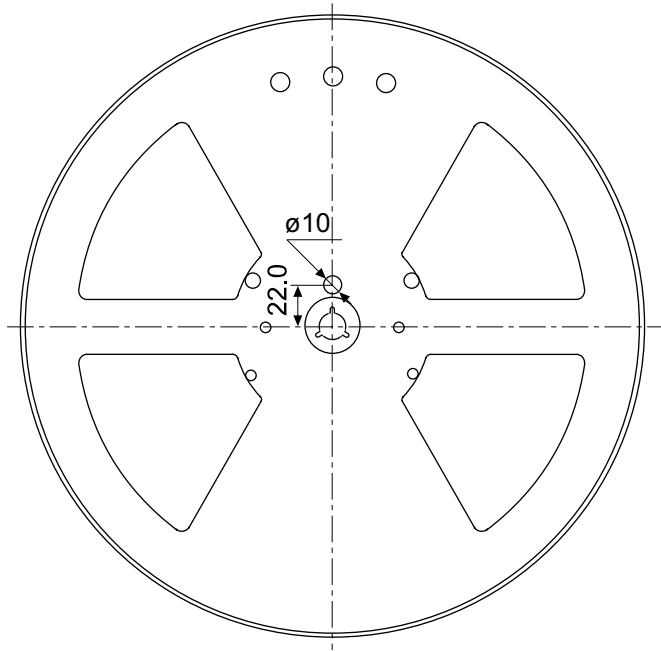
TITLE	SOP14-A-PKG Dimensions
No.	FE014-A-P-SD-1.1
SCALE	
UNIT	mm
Seiko Instruments Inc.	



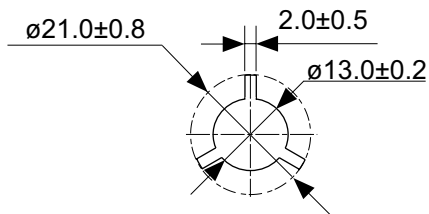


No. FE014-A-C-SD-1.1

TITLE	SOP14-A-Carrier Tape
No.	FE014-A-C-SD-1.1
SCALE	
UNIT	mm
Seiko Instruments Inc.	



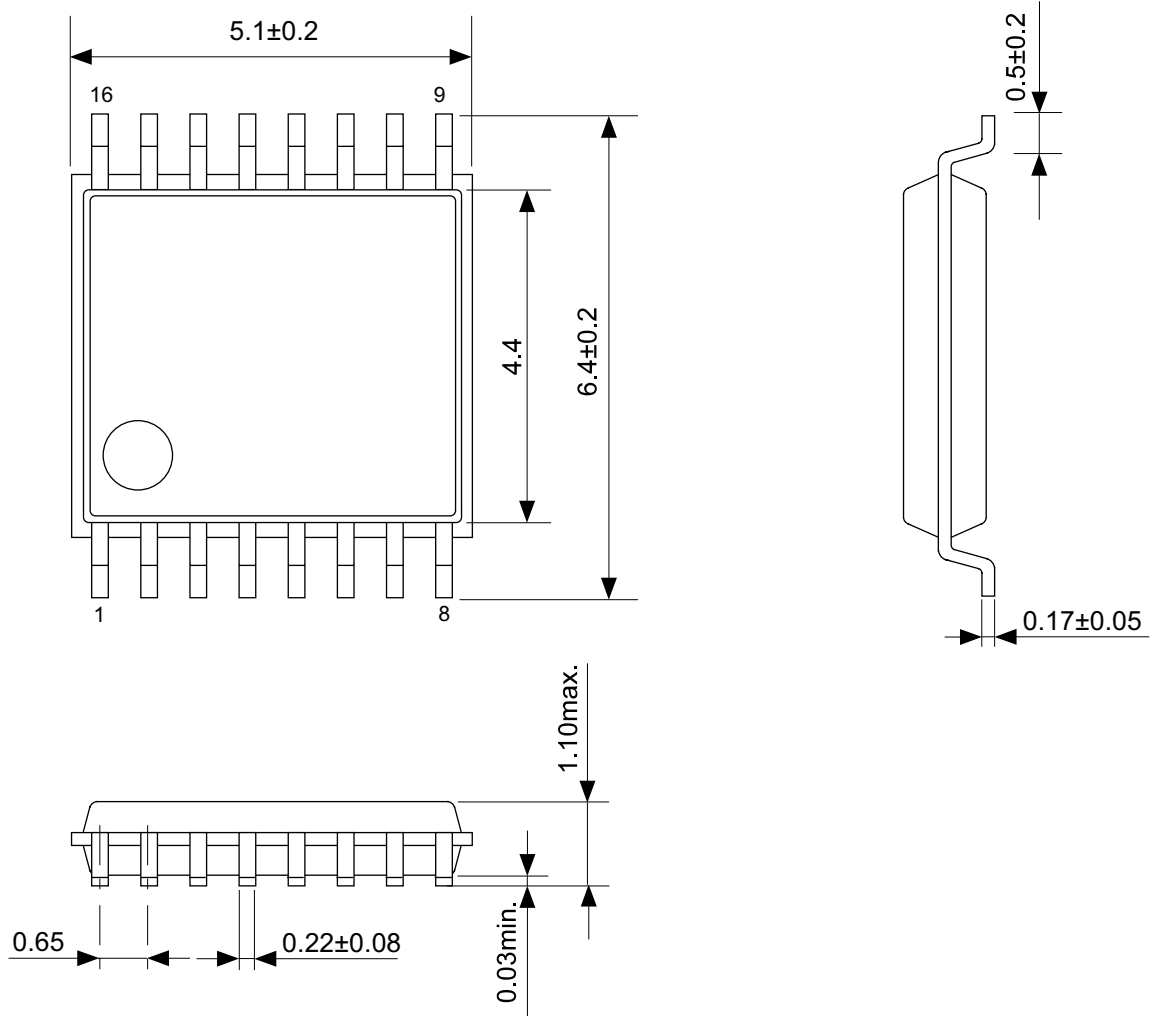
Enlarged drawing in the central part



No. FE014-A-R-SD-1.1

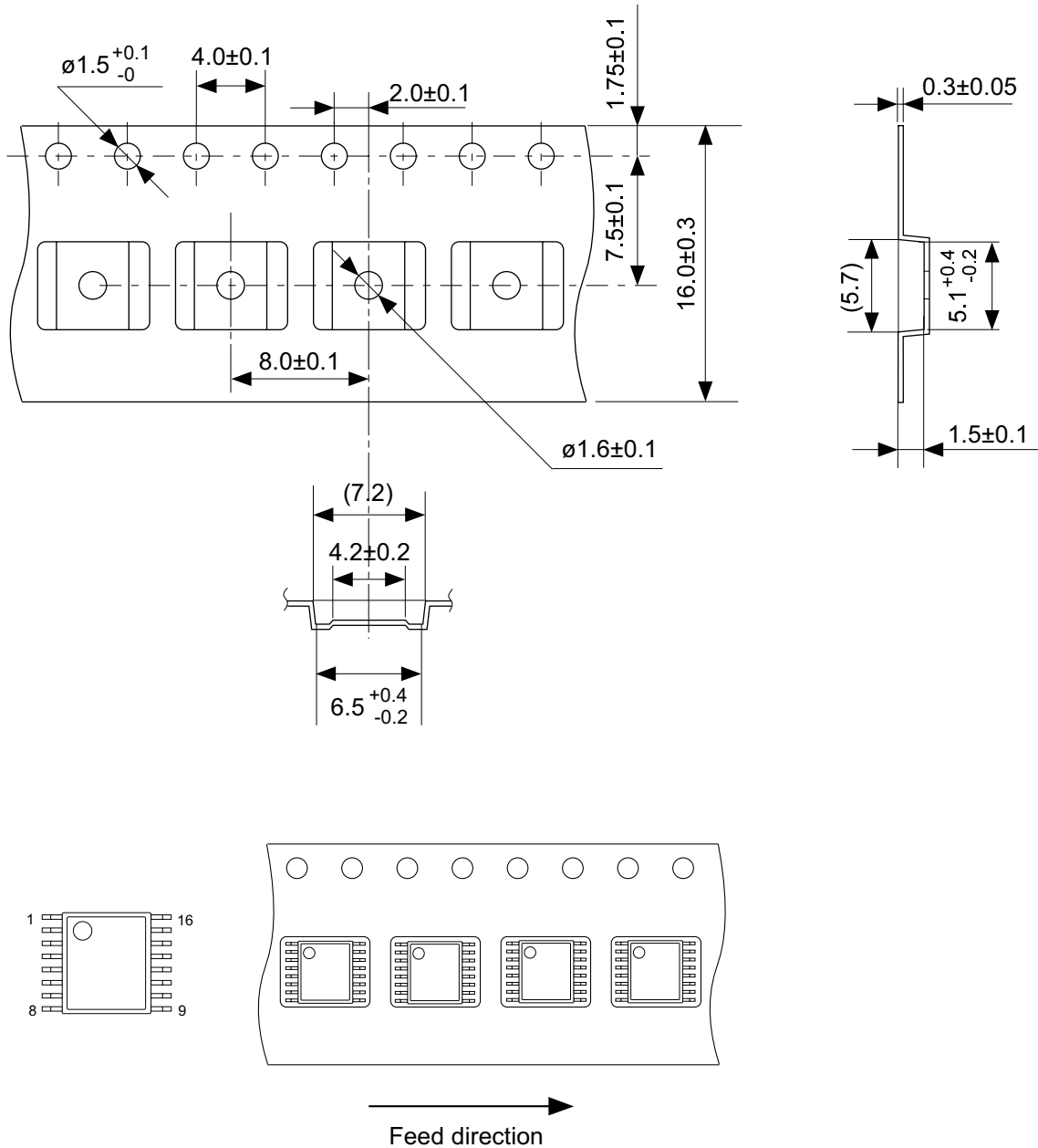
TITLE	SOP14-A-Reel		
No.	FE014-A-R-SD-1.1		
SCALE		QTY.	2,000
UNIT	mm		

Seiko Instruments Inc.



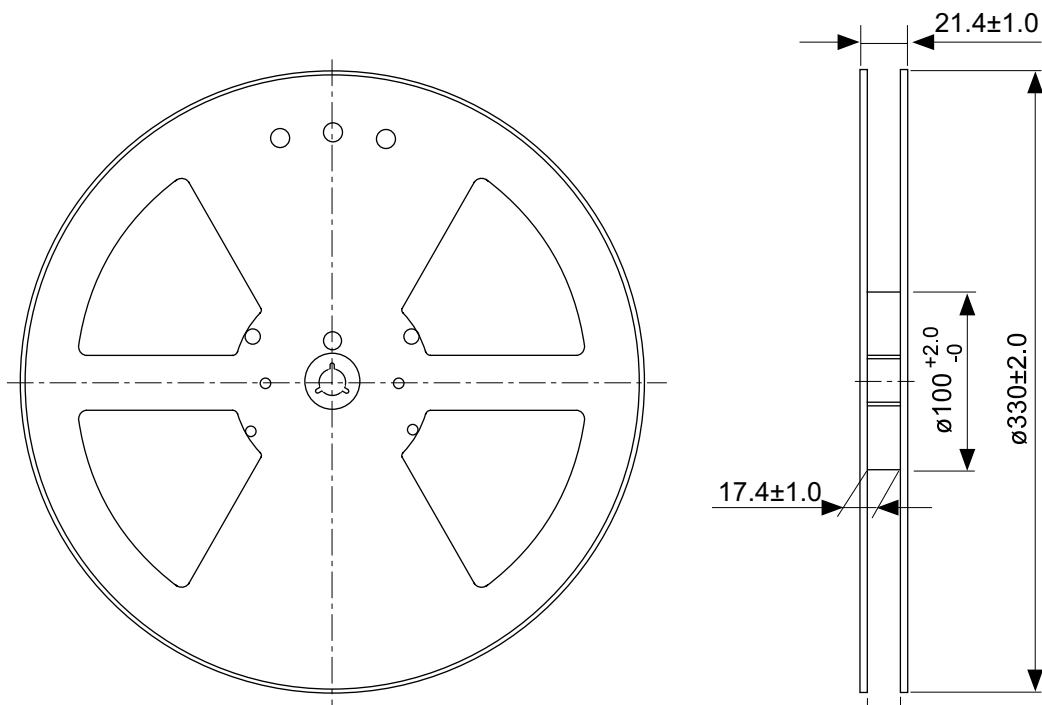
No. FT016-A-P-SD-1.1

TITLE	TSSOP16-A-PKG Dimensions
No.	FT016-A-P-SD-1.1
SCALE	
UNIT	mm
Seiko Instruments Inc.	

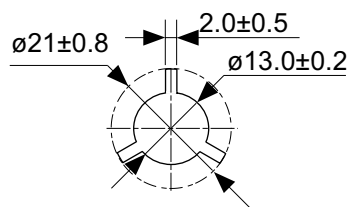


No. FT016-A-C-SD-1.1

TITLE	TSSOP16-A-Carrier Tape
No.	FT016-A-C-SD-1.1
SCALE	
UNIT	mm
Seiko Instruments Inc.	



Enlarged drawing in the central part



No. FT016-A-R-SD-1.1

TITLE	TSSOP16-A- Reel		
No.	FT016-A-R-SD-1.1		
SCALE		QTY.	2,000
UNIT	mm		
Seiko Instruments Inc.			

- The information described herein is subject to change without notice.
- Seiko Instruments Inc. is not responsible for any problems caused by circuits or diagrams described herein whose related industrial properties, patents, or other rights belong to third parties. The application circuit examples explain typical applications of the products, and do not guarantee the success of any specific mass-production design.
- When the products described herein are regulated products subject to the Wassenaar Arrangement or other agreements, they may not be exported without authorization from the appropriate governmental authority.
- Use of the information described herein for other purposes and/or reproduction or copying without the express permission of Seiko Instruments Inc. is strictly prohibited.
- The products described herein cannot be used as part of any device or equipment affecting the human body, such as exercise equipment, medical equipment, security systems, gas equipment, or any apparatus installed in airplanes and other vehicles, without prior written permission of Seiko Instruments Inc.
- Although Seiko Instruments Inc. exerts the greatest possible effort to ensure high quality and reliability, the failure or malfunction of semiconductor products may occur. The user of these products should therefore give thorough consideration to safety design, including redundancy, fire-prevention measures, and malfunction prevention, to prevent any accidents, fires, or community damage that may ensue.