

TOSHIBA CMOS DIGITAL INTEGRATED CIRCUIT SILICON MONOLITHIC

TC74HCT273AP, TC74HCT273AF, TC74HCT273AFW

OCTAL D-TYPE FLIP FLOP WITH CLEAR

The TC74HCT273A is a high speed CMOS OCTAL D-TYPE FLIP FLOP fabricated with silicon gate C²MOS technology. It achieves the high speed operation similar to equivalent LSTTL while maintaining the CMOS low power dissipation. Their inputs are compatible with TTL, NMOS, and CMOS output voltage levels.

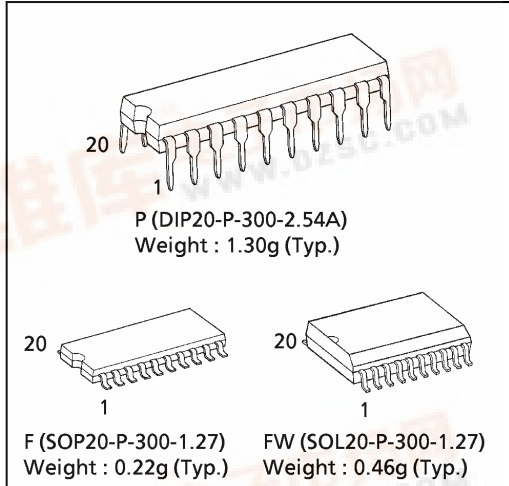
Information signals applied to D inputs are transferred to the Q outputs on the positive going edge of the clock pulse. When the CLR input is held "L", the Q outputs are at a low logic level independent of the other inputs.

All inputs are equipped with protection circuits against static discharge or transient excess voltage.

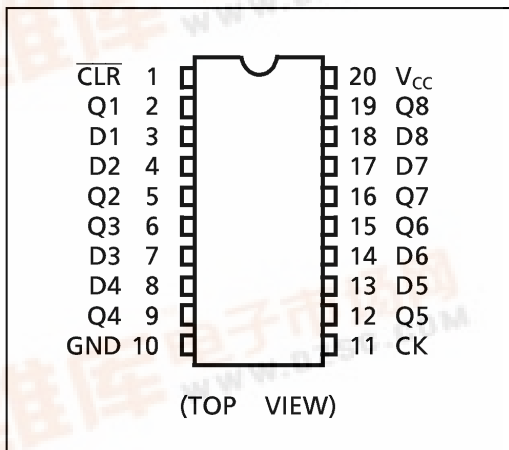
FEATURES :

- High Speed..... $f_{MAX} = 90\text{MHz}$ (typ.)
at $V_{CC} = 5\text{V}$
- Low Power Dissipation..... $I_{CC} = 4\mu\text{A}$ (Max.) at $T_a = 25^\circ\text{C}$
- Compatible with TTL outputs ... $V_{IH} = 2.0\text{V}$ (Min.)
 $V_{IL} = 0.8\text{V}$ (Max.)
- Wide interfacing ability..... LSTTL, NMOS, CMOS
- Output Drive Capability 10 LSTTL Loads
- Symmetrical Output Impedance... $|I_{OH}| = I_{OL} = 4\text{mA}$ (Min.)
- Balanced Propagation Delays..... $t_{PLH} \approx t_{PHL}$
- Pin and Function Compatible with 74LS273

(Note) The JEDEC SOP (FW) is not available in Japan.



PIN ASSIGNMENT

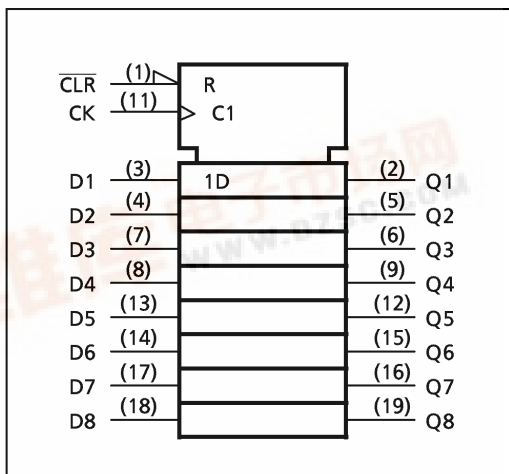


TRUTH TABLE

INPUTS			OUTPUTS	FUNCTION
CLR	D	CK	Q	
L	X	X	L	CLEAR
H	L	┌	L	—
H	H	┌	H	—
H	X	└	Q _n	No change

X : Don't Care

IEC LOGIC SYMBOL



980508EBA2

● TOSHIBA is continually working to improve the quality and the reliability of its products. Nevertheless, semiconductor devices in general can malfunction or fail due to their inherent electrical sensitivity and vulnerability to physical stress. It is the responsibility of the buyer, when utilizing TOSHIBA products, to observe standards of safety, and to avoid situations in which a malfunction or failure of a TOSHIBA product could cause loss of human life, bodily injury or damage to property. In developing your designs, please ensure that TOSHIBA products are used within specified operating ranges as set forth in the most recent products specifications. Also, please keep in mind the precautions and conditions set forth in the TOSHIBA Semiconductor Reliability Handbook.



ABSOLUTE MAXIMUM RATINGS

PARAMETER	SYMBOL	VALUE	UNIT
Supply Voltage Range	V_{CC}	-0.5~7	V
DC Input Voltage	V_{IN}	-0.5~ $V_{CC} + 0.5$	V
DC Output Voltage	V_{OUT}	-0.5~ $V_{CC} + 0.5$	V
Input Diode Current	I_{IK}	± 20	mA
Output Diode Current	I_{OK}	± 20	mA
DC Output Current	I_{OUT}	± 25	mA
DC V_{CC} /Ground Current	I_{CC}	± 50	mA
Power Dissipation	P_D	500 (DIP)* / 180 (SOP)	mW
Storage Temperature	T_{stg}	-65~150	°C

*500mW in the range of $T_a = -40^{\circ}\text{C} \sim 65^{\circ}\text{C}$. From $T_a = 65^{\circ}\text{C}$ to 85°C a derating factor of $-10\text{mW}/^{\circ}\text{C}$ shall be applied until 300mW.

RECOMMENDED OPERATING CONDITIONS

PARAMETER	SYMBOL	VALUE	UNIT
Supply Voltage	V_{CC}	4.5~5.5	V
Input Voltage	V_{IN}	0~ V_{CC}	V
Output Voltage	V_{OUT}	0~ V_{CC}	V
Operating Temperature	T_{opr}	-40~85	°C
Input Rise and Fall Time	t_r, t_f	0~500	ns

DC ELECTRICAL CHARACTERISTICS

PARAMETER	SYMBOL	TEST CONDITION	V_{CC} (V)	$T_a = 25^{\circ}\text{C}$			$T_a = -40 \sim 85^{\circ}\text{C}$		UNIT	
				MIN.	TYP.	MAX.	MIN.	MAX.		
High - Level Input Voltage	V_{IH}		4.5 } 5.5	2.0	—	—	2.0	—	V	
Low - Level Input Voltage	V_{IL}		4.5 } 5.5	—	—	0.8	—	0.8	V	
High - Level Output Voltage	V_{OH}	$V_{IN} = V_{IH}$ or V_{IL}	$I_{OH} = -20 \mu\text{A}$	4.5	4.4	4.5	—	4.4	—	V
			$I_{OH} = -4 \text{ mA}$	4.5	4.18	4.31	—	4.13	—	
Low - Level Output Voltage	V_{OL}	$V_{IN} = V_{IH}$ or V_{IL}	$I_{OL} = 20 \mu\text{A}$	4.5	—	0.0	0.1	—	0.1	V
			$I_{OL} = 4 \text{ mA}$	4.5	—	0.17	0.26	—	0.33	
Input Leakage Current	I_{IN}	$V_{IN} = V_{CC}$ or GND	5.5	—	—	± 0.1	—	± 1.0	μA	
Quiescent Supply Current	I_{CC}	$V_{IN} = V_{CC}$ or GND	5.5	—	—	4.0	—	40.0		
		I_C	PER INPUT: $V_{IN} = 0.5\text{V}$ or 2.4V OTHER INPUT: V_{CC} or GND	5.5	—	—	2.0	—	2.9	mA

980508EBA2'

- The products described in this document are subject to foreign exchange and foreign trade laws.
- The information contained herein is presented only as a guide for the applications of our products. No responsibility is assumed by TOSHIBA CORPORATION for any infringements of intellectual property or other rights of the third parties which may result from its use. No license is granted by implication or otherwise under any intellectual property or other rights of TOSHIBA CORPORATION or others.
- The information contained herein is subject to change without notice.

TIMING REQUIREMENTS (Input $t_r = t_f = 6ns$)

PARAMETER	SYMBOL	TEST CONDITION	$V_{CC}(V)$	Ta = 25°C		Ta = -40~85°C	UNIT	
				TYP.	LIMIT	LIMIT		
Minimum Pulse Width (CK)	$t_{W(L)}$ $t_{W(H)}$		4.5	—	15	19	ns	
			5.5	—	14	17		
Minimum Pulse Width (CLR)	$t_{W(L)}$		4.5	—	15	19		
			5.5	—	14	17		
Minimum Set-up Time	t_s		4.5	—	10	13		
			5.5	—	10	13		
Minimum Hold Time	t_h		4.5	—	5	6		
			5.5	—	10	13		
Minimum Removal Time (CLR)	t_{rem}		4.5	—	10	13		
			5.5	—	9	12		
Clock Frequency	f		4.5	—	30	24		MHz
			5.5	—	35	28		

AC ELECTRICAL CHARACTERISTICS ($C_L = 15pF$, $V_{CC} = 5V$, Ta = 25°C, Input $t_r = t_f = 6ns$)

PARAMETER	SYMBOL	TEST CONDITION	MIN.	TYP.	MAX.	UNIT
Output Transition Time	t_{TLH} t_{THL}		—	4	8	ns
Propagation Delay Time (CK-Q)	t_{pLH} t_{pHL}		—	15	25	
Propagation Delay Time (CLR-Q)	t_{pHL} t_{pHL}		—	18	28	
Maximum Clock Frequency	f_{MAX}		40	90	—	MHz

AC ELECTRICAL CHARACTERISTICS ($C_L = 50pF$, Input $t_r = t_f = 6ns$)

PARAMETER	SYMBOL	TEST CONDITION	$V_{CC}(V)$	Ta = 25°C			Ta = -40~85°C		UNIT	
				MIN.	TYP.	MAX.	MIN.	MAX.		
Output Transition Time	t_{TLH} t_{THL}		4.5	—	9	15	—	19	ns	
			5.5	—	8	14	—	18		
Propagation Delay Time (CK-Q)	t_{pLH} t_{pHL}		4.5	—	19	30	—	38		
			5.5	—	17	27	—	34		
Propagation Delay Time (CLR-Q)	t_{pLH} t_{pHL}		4.5	—	22	32	—	40		
			5.5	—	18	29	—	36		
Maximum Clock Frequency	f_{MAX}		4.5	30	71	—	24	—		MHz
			5.5	35	81	—	28	—		
Input Capacitance	C_{IN}			—	5	10	—	10		pF
Power Dissipation Capacitance	$C_{PD}(1)$			—	29	—	—	—		

Note (1) C_{PD} is defined as the value of the internal equivalent capacitance which is calculated from the operating current consumption without load.

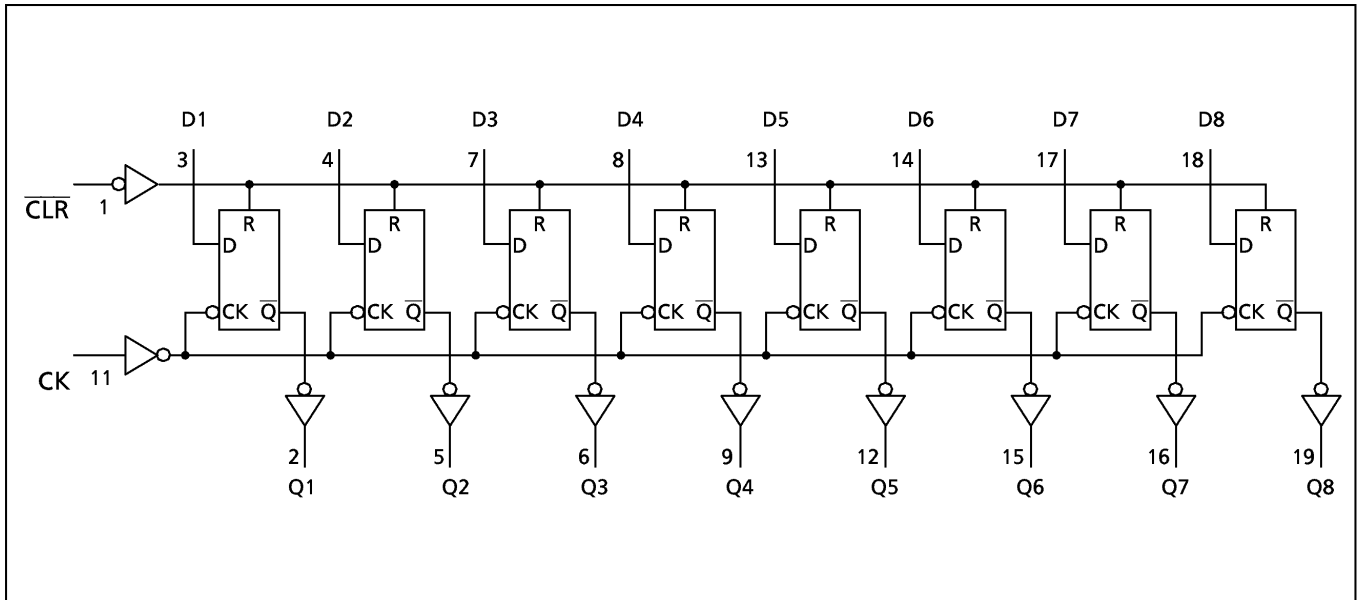
Average operating current can be obtained by the equation:

$$I_{CC(opr)} = C_{PD} \cdot V_{CC} \cdot f_{IN} + I_{CC} / 8 \text{ (per Flip Flop)}$$

And the total C_{PD} when n pcs. of Flip Flop operate can be gained by the following equation:

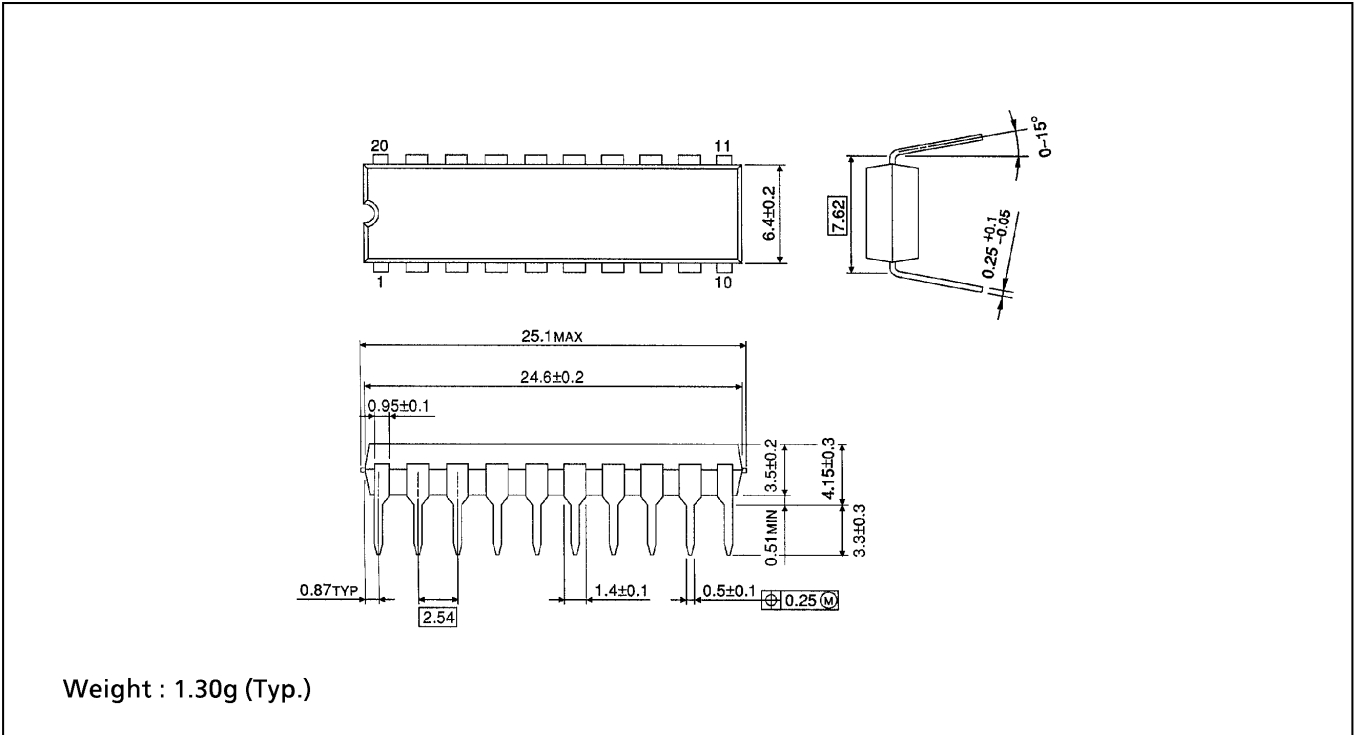
$$C_{PD}(\text{total}) = 18 + 11 \cdot n$$

SYSTEM DIAGRAM



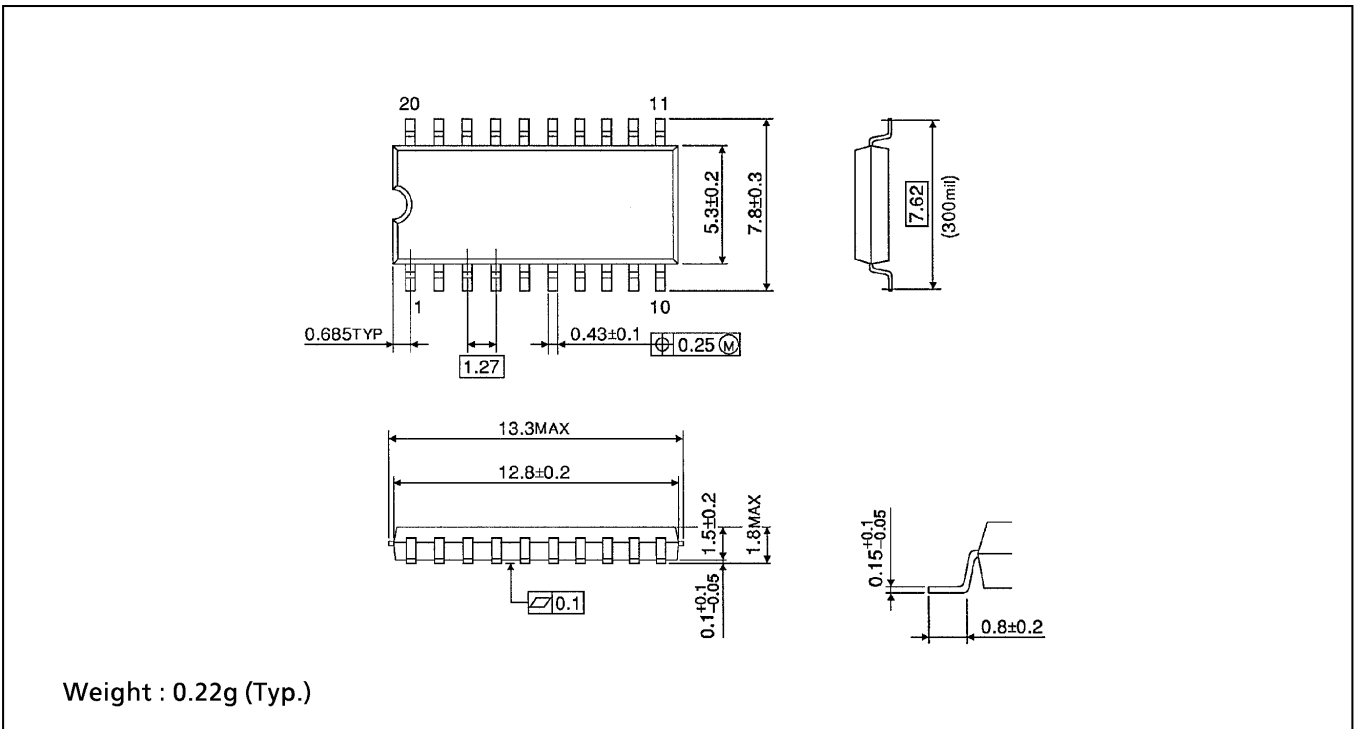
DIP 20PIN OUTLINE DRAWING (DIP20-P-300-2.54A)

Unit in mm



SOP 20PIN (200mil BODY) OUTLINE DRAWING (SOP20-P-300-1.27)

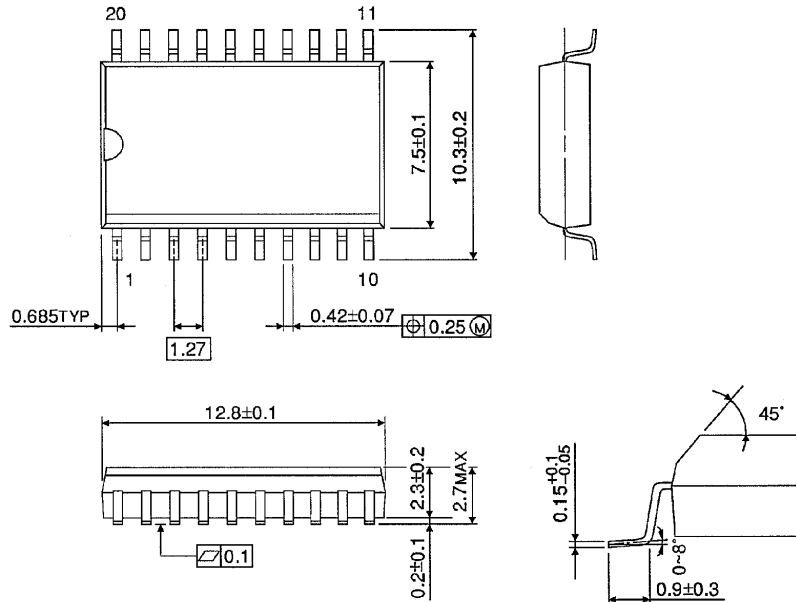
Unit in mm



SOP 20PIN (300mil BODY) OUTLINE DRAWING (SOL20-P-300-1.27)

Unit in mm

(Note) This package is not available in Japan.



Weight : 0.46g (Typ.)