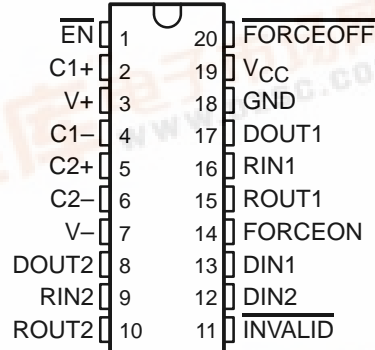


3-V TO 5.5-V MULTICHANNEL RS-232 LINE DRIVER/RECEIVER

SLLS409C – JANUARY 2000 – REVISED DECEMBER 2001

- **Meets or Exceeds the Requirements of TIA/EIA-232-F and ITU v.28 Standards**
- **Operates With 3-V to 5.5-V V_{CC} Supply**
- **Operates up to 250 kbit/s**
- **Low Standby Current . . . 1 μ A Typical**
- **External Capacitors . . . $4 \times 0.1 \mu$ F**
- **Accepts 5-V Logic Input With 3.3-V Supply**
- **Designed to Be Interchangeable With Maxim MAX3223**
- **RS-232 Bus-Pin ESD Protection Exceeds ± 15 kV Using Human-Body Model (HBM)**
- **Applications**
 - **Battery-Powered Systems, PDAs, Notebooks, Laptops, Palmtop PCs, and Hand-Held Equipment**
- **Package Options Include Plastic Small-Outline (DW), Shrink Small-Outline (DB), and Thin Shrink Small-Outline (PW) Packages**

DB, DW, OR PW PACKAGE
(TOP VIEW)



description

The MAX3223 consists of two line drivers, two line receivers, and a dual charge-pump circuit with ± 15 -kV ESD protection pin to pin (serial-port connection pins, including GND). The device meets the requirements of TIA/EIA-232-F and provides the electrical interface between an asynchronous communication controller and the serial-port connector. The charge pump and four small external capacitors allow operation from a single 3-V to 5.5-V supply. The device operates at data signaling rates up to 250 kbit/s and a maximum of 30-V/ μ s driver output slew rate.

Flexible control options for power management are available when the serial port is inactive. The auto-powerdown feature functions when FORCEON is low and FORCEOFF is high. During this mode of operation, if the device does not sense a valid RS-232 signal, the driver outputs are disabled. If FORCEOFF is set low and EN is high, both drivers and receivers are shut off, and the supply current is reduced to 1 μ A. Disconnecting the serial port or turning off the peripheral drivers causes auto-powerdown to occur. Auto-powerdown can be disabled when FORCEON and FORCEOFF are high. With auto-powerdown enabled, the device is activated automatically when a valid signal is applied to any receiver input. The INVALID output is used to notify the user if an RS-232 signal is present at any receiver input. INVALID is high (valid data) if any receiver input voltage is greater than 2.7 V or less than -2.7 V or has been between -0.3 V and 0.3 V for less than 30 μ s. INVALID is low (invalid data) if the receiver input voltage is between -0.3 V and 0.3 V for more than 30 μ s. Refer to Figure 4 for receiver input levels.

The MAX3223C is characterized for operation from 0°C to 70°C. The MAX3223I is characterized for operation from -40°C to 85°C.

Please be aware that an important notice concerning availability, standard warranty, and use in critical applications of Texas Instruments semiconductor products and disclaimers thereto appears at the end of this data sheet.



PRODUCTION DATA information is current as of publication date. Products conform to specifications per the terms of Texas Instruments standard warranty. Production processing does not necessarily include testing of all parameters.

MAX3223

3-V TO 5.5-V MULTICHANNEL RS-232 LINE DRIVER/RECEIVER

SLLS409C – JANUARY 2000 – REVISED DECEMBER 2001

AVAILABLE OPTIONS

| T _A | PACKAGED DEVICES | | |
|----------------|---------------------------|--------------------|--------------------------------|
| | SHRINK SMALL OUTLINE (DB) | SMALL OUTLINE (DW) | THIN SHRINK SMALL OUTLINE (PW) |
| 0°C to 70°C | MAX3223CDB | MAX3223CDW | MAX3223CPW |
| -40°C to 85°C | MAX3223IDB | MAX3223IDW | MAX3223IPW |

The DB, DW, and PW packages are available taped and reeled. Add the suffix R to device type (e.g., MAX3223CDBR).

Function Tables

EACH DRIVER

| INPUTS | | | | OUTPUT DOUT | DRIVER STATUS |
|--------|---------|------------------------------|------------------------|-------------|---|
| DIN | FORCEON | $\overline{\text{FORCEOFF}}$ | VALID RIN RS-232 LEVEL | | |
| X | X | L | X | Z | Powered off |
| L | H | H | X | H | Normal operation with auto-powerdown disabled |
| H | H | H | X | L | |
| L | L | H | Yes | H | Normal operation with auto-powerdown enabled |
| H | L | H | Yes | L | |
| L | L | H | No | Z | Powered off by auto-powerdown feature |
| H | L | H | No | Z | |

H = high level, L = low level, X = irrelevant, Z = high impedance

EACH RECEIVER

| INPUTS | | | OUTPUT ROUT |
|--------|------------------------|------------------------|-------------|
| RIN | $\overline{\text{EN}}$ | VALID RIN RS-232 LEVEL | |
| L | L | X | H |
| H | L | X | L |
| X | H | X | Z |
| Open | L | No | H |

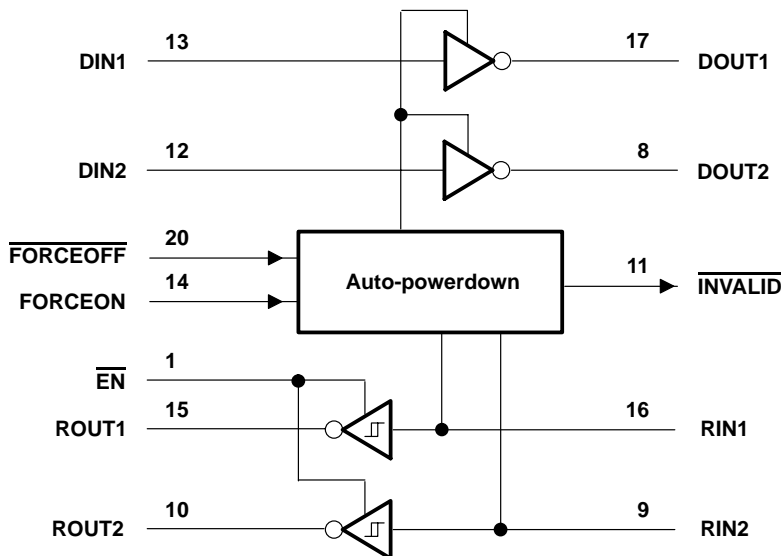
H = high level, L = low level, X = irrelevant, Z = high impedance (off), Open = input disconnected or connected driver off

MAX3223

3-V TO 5.5-V MULTICHANNEL RS-232 LINE DRIVER/RECEIVER

SLLS409C – JANUARY 2000 – REVISED DECEMBER 2001

logic diagram (positive logic)



absolute maximum ratings over operating free-air temperature range (unless otherwise noted)†

| | |
|--|----------------------------|
| Supply voltage range, V_{CC} (see Note 1) | –0.3 V to 6 V |
| Positive output supply voltage range, $V+$ (see Note 1) | –0.3 V to 7 V |
| Negative output supply voltage range, $V-$ (see Note 1) | 0.3 V to –7 V |
| Supply voltage difference, $V+ - V-$ (see Note 1) | 13 V |
| Input voltage range, V_I : Driver, $\overline{FORCEOFF}$, $FORCEON$, \overline{EN} | –0.3 V to 6 V |
| Receiver | –25 V to 25 V |
| Output voltage range, V_O : Driver | –13.2 V to 13.2 V |
| Receiver, $\overline{INVALID}$ | –0.3 V to $V_{CC} + 0.3$ V |
| Package thermal impedance, θ_{JA} (see Note 2): DB package | 70°C/W |
| DW package | 58°C/W |
| PW package | 83°C/W |
| Lead temperature 1,6 mm (1/16 inch) from case for 10 seconds | 260°C |
| Storage temperature range, T_{Stg} | –65°C to 150°C |

† Stresses beyond those listed under “absolute maximum ratings” may cause permanent damage to the device. These are stress ratings only, and functional operation of the device at these or any other conditions beyond those indicated under “recommended operating conditions” is not implied. Exposure to absolute-maximum-rated conditions for extended periods may affect device reliability.

- NOTES: 1. All voltages are with respect to network GND.
 2. The package thermal impedance is calculated in accordance with JESD 51-7.

MAX3223

3-V TO 5.5-V MULTICHANNEL RS-232 LINE DRIVER/RECEIVER

SLLS409C – JANUARY 2000 – REVISED DECEMBER 2001

recommended operating conditions (see Note 3 and Figure 6)

| | | | MIN | NOM | MAX | UNIT |
|----------------|---|---|-------------------------|-----|-----|------|
| Supply voltage | | $V_{CC} = 3.3\text{ V}$ | 3 | 3.3 | 3.6 | V |
| | | $V_{CC} = 5\text{ V}$ | 4.5 | 5 | 5.5 | |
| V_{IH} | Driver and control high-level input voltage | DIN, $\overline{\text{EN}}$, $\overline{\text{FORCEOFF}}$, FORCEON | $V_{CC} = 3.3\text{ V}$ | 2 | | V |
| | | | $V_{CC} = 5\text{ V}$ | 2.4 | | |
| V_{IL} | Driver and control low-level input voltage | DIN, $\overline{\text{EN}}$, $\overline{\text{FORCEOFF}}$, FORCEON | | | 0.8 | V |
| V_I | Driver and control input voltage | DIN, $\overline{\text{EN}}$, $\overline{\text{FORCEOFF}}$, FORCEON | 0 | | 5.5 | V |
| | Receiver input voltage | | -25 | | 25 | |
| T_A | Operating free-air temperature | MAX3223C | 0 | | 70 | °C |
| | | MAX3223I | -40 | | 85 | |

NOTE 3: Test conditions are C1–C4 = 0.1 μF at $V_{CC} = 3.3\text{ V} \pm 0.3\text{ V}$; C1 = 0.047 μF , C2–C4 = 0.33 μF at $V_{CC} = 5\text{ V} \pm 0.5\text{ V}$.

electrical characteristics over recommended ranges of supply voltage and operating free-air temperature (unless otherwise noted) (see Note 3 and Figure 6)

| PARAMETER | | TEST CONDITIONS | MIN | TYP† | MAX | UNIT | |
|-----------|-----------------------|---|--|------------|---------|---------------|---------------|
| I_I | Input leakage current | $\overline{\text{EN}}$, $\overline{\text{FORCEOFF}}$, FORCEON | | ± 0.01 | ± 1 | μA | |
| I_{CC} | Supply current | Auto-powerdown disabled | No load, $\overline{\text{FORCEOFF}}$, FORCEON at V_{CC} | | 0.3 | 1 | mA |
| | | Powered off | No load, $\overline{\text{FORCEOFF}}$ at GND | | 1 | 10 | |
| | | Auto-powerdown enabled | No load, $\overline{\text{FORCEOFF}}$ at V_{CC} , FORCEON at GND, All RIN are open or grounded | | 1 | 10 | μA |

† All typical values are at $V_{CC} = 3.3\text{ V}$ or $V_{CC} = 5\text{ V}$, and $T_A = 25^\circ\text{C}$.

NOTE 3: Test conditions are C1–C4 = 0.1 μF at $V_{CC} = 3.3\text{ V} \pm 0.3\text{ V}$; C1 = 0.047 μF , C2–C4 = 0.33 μF at $V_{CC} = 5\text{ V} \pm 0.5\text{ V}$.

MAX3223

3-V TO 5.5-V MULTICHANNEL RS-232 LINE DRIVER/RECEIVER

SLLS409C – JANUARY 2000 – REVISED DECEMBER 2001

DRIVER SECTION

electrical characteristics over recommended ranges of supply voltage and operating free-air temperature (unless otherwise noted) (see Note 3 and Figure 6)

| PARAMETER | | TEST CONDITIONS | MIN | TYP† | MAX | UNIT |
|------------------|-------------------------------|--|-----|-------|-----|------|
| V _{OH} | High-level output voltage | DOUT at R _L = 3 kΩ to GND | 5 | 5.4 | | V |
| V _{OL} | Low-level output voltage | DOUT at R _L = 3 kΩ to GND | -5 | -5.4 | | V |
| I _{IH} | High-level input current | V _I = V _{CC} | | ±0.01 | ±1 | μA |
| I _{IL} | Low-level input current | V _I at GND | | ±0.01 | ±1 | μA |
| I _{OS} | Short-circuit output current‡ | V _{CC} = 3.6 V, V _O = 0 V | | ±35 | ±60 | mA |
| | | V _{CC} = 5.5 V, V _O = 0 V | | ±35 | ±60 | |
| r _o | Output resistance | V _{CC} , V ₊ , and V ₋ = 0 V, V _O = ±2 V | 300 | 10M | | Ω |
| I _{off} | Output leakage current | $\overline{\text{FORCEOFF}}$ = GND, V _O = ±12 V, V _{CC} = 0 to 5.5 V | | | ±25 | μA |

† All typical values are at V_{CC} = 3.3 V or V_{CC} = 5 V, and T_A = 25°C.

‡ Short-circuit durations should be controlled to prevent exceeding the device absolute power-dissipation ratings, and not more than one output should be shorted at a time.

NOTE 3: Test conditions are C1–C4 = 0.1 μF at V_{CC} = 3.3 V ± 0.3 V; C1 = 0.047 μF, C2–C4 = 0.33 μF at V_{CC} = 5 V ± 0.5 V.

switching characteristics over recommended ranges of supply voltage and operating free-air temperature (unless otherwise noted) (see Note 3 and Figure 6)

| PARAMETER | | TEST CONDITIONS | MIN | TYP† | MAX | UNIT | |
|--------------------|---|---|------------------------------------|------|-----|--------|------|
| Maximum data rate | | C _L = 1000 pF, R _L = 3 kΩ, One DOUT switching, See Figure 1 | 150 | 250 | | kbit/s | |
| t _{sk(p)} | Pulse skew§ | C _L = 150 pF to 2500 pF, R _L = 3 kΩ to 7 kΩ, See Figure 2 | | 100 | | ns | |
| SR(tr) | Slew rate, transition region (See Figure 1) | V _{CC} = 3.3 V, R _L = 3 kΩ to 7 kΩ | C _L = 150 pF to 1000 pF | | 6 | 30 | V/μs |
| | | | C _L = 150 pF to 2500 pF | | 4 | 30 | |

† All typical values are at V_{CC} = 3.3 V or V_{CC} = 5 V, and T_A = 25°C.

§ Pulse skew is defined as |t_{PLH} - t_{PHL}| of each channel of the same device.

NOTE 3: Test conditions are C1–C4 = 0.1 μF at V_{CC} = 3.3 V ± 0.3 V; C1 = 0.047 μF, C2–C4 = 0.33 μF at V_{CC} = 5 V ± 0.5 V.

MAX3223

3-V TO 5.5-V MULTICHANNEL RS-232 LINE DRIVER/RECEIVER

SLLS409C – JANUARY 2000 – REVISED DECEMBER 2001

RECEIVER SECTION

electrical characteristics over recommended ranges of supply voltage and operating free-air temperature (unless otherwise noted) (see Note 3 and Figure 6)

| PARAMETER | | TEST CONDITIONS | MIN | TYP† | MAX | UNIT |
|------------------|---|--------------------------------|----------------------|----------------------|-----|------|
| V _{OH} | High-level output voltage | I _{OH} = -1 mA | V _{CC} -0.6 | V _{CC} -0.1 | | V |
| V _{OL} | Low-level output voltage | I _{OL} = 1.6 mA | | | 0.4 | V |
| V _{IT+} | Positive-going input threshold voltage | V _{CC} = 3.3 V | | 1.6 | 2.4 | V |
| | | V _{CC} = 5 V | | 1.9 | 2.4 | |
| V _{IT-} | Negative-going input threshold voltage | V _{CC} = 3.3 V | 0.6 | 1.1 | | V |
| | | V _{CC} = 5 V | 0.8 | 1.4 | | |
| V _{hys} | Input hysteresis (V _{IT+} - V _{IT-}) | | | 0.5 | | V |
| I _{off} | Output leakage current | EN = V _{CC} | | ±0.05 | ±10 | μA |
| r _i | Input resistance | V _I = ±3 V to ±25 V | 3 | 5 | 7 | kΩ |

† All typical values are at V_{CC} = 3.3 V or V_{CC} = 5 V, and T_A = 25°C.

NOTE 3: Test conditions are C1-C4 = 0.1 μF at V_{CC} = 3.3 V ± 0.3 V; C1 = 0.047 μF, C2-C4 = 0.33 μF at V_{CC} = 5 V ± 0.5 V.

switching characteristics over recommended ranges of supply voltage and operating free-air temperature (unless otherwise noted) (see Note 3)

| PARAMETER | | TEST CONDITIONS | MIN | TYP† | MAX | UNIT |
|--------------------|---|--|-----|------|-----|------|
| t _{PLH} | Propagation delay time, low- to high-level output | C _L = 150 pF, See Figure 3 | | 150 | | ns |
| t _{PHL} | Propagation delay time, high- to low-level output | C _L = 150 pF, See Figure 3 | | 150 | | ns |
| t _{en} | Output enable time | C _L = 150 pF, See Figure 4, R _L = 3 kΩ | | 200 | | ns |
| t _{dis} | Output disable time | C _L = 150 pF, See Figure 4, R _L = 3 kΩ | | 200 | | ns |
| t _{sk(p)} | Pulse skew‡ | See Figure 3 | | 50 | | ns |

† All typical values are at V_{CC} = 3.3 V or V_{CC} = 5 V, and T_A = 25°C.

‡ Pulse skew is defined as |t_{PLH} - t_{PHL}| of each channel of the same device.

NOTE 3: Test conditions are C1-C4 = 0.1 μF at V_{CC} = 3.3 V ± 0.3 V; C1 = 0.047 μF, C2-C4 = 0.33 μF at V_{CC} = 5 V ± 0.5 V.

MAX3223

3-V TO 5.5-V MULTICHANNEL RS-232 LINE DRIVER/RECEIVER

SLLS409C – JANUARY 2000 – REVISED DECEMBER 2001

AUTO-POWERDOWN SECTION

electrical characteristics over recommended ranges of supply voltage and operating free-air temperature (unless otherwise noted) (see Figure 5)

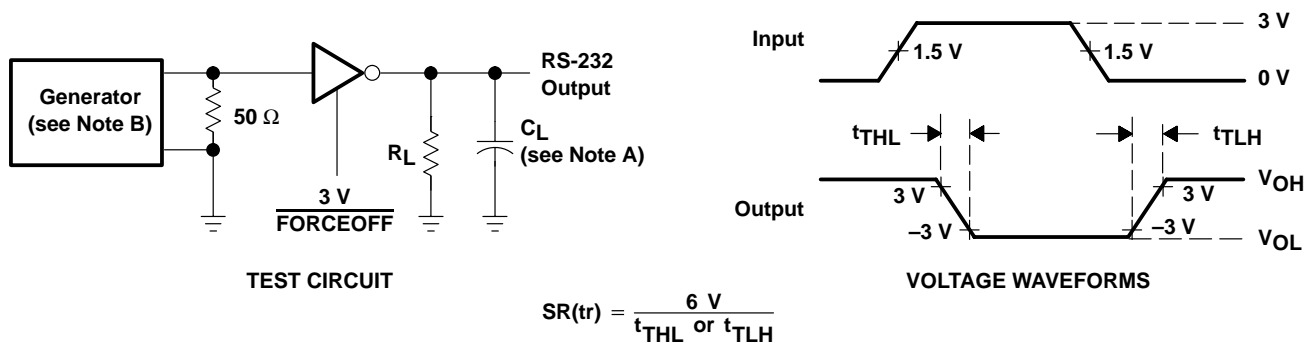
| PARAMETER | TEST CONDITIONS | MIN | MAX | UNIT |
|-------------------------|--|----------------|-----|------|
| $V_{T+}(\text{valid})$ | Receiver input threshold for $\overline{\text{INVALID}}$ high-level output voltage FORCEON = GND, $\overline{\text{FORCEOFF}} = V_{CC}$ | | 2.7 | V |
| $V_{T-}(\text{valid})$ | Receiver input threshold for $\overline{\text{INVALID}}$ high-level output voltage FORCEON = GND, $\overline{\text{FORCEOFF}} = V_{CC}$ | -2.7 | | V |
| $V_{T}(\text{invalid})$ | Receiver input threshold for $\overline{\text{INVALID}}$ low-level output voltage FORCEON = GND, $\overline{\text{FORCEOFF}} = V_{CC}$ | -0.3 | 0.3 | V |
| V_{OH} | $\overline{\text{INVALID}}$ high-level output voltage $I_{OH} = -1 \text{ mA}$, FORCEOFF = V_{CC} | $V_{CC} - 0.6$ | | V |
| V_{OL} | $\overline{\text{INVALID}}$ low-level output voltage $I_{OL} = 1.6 \text{ mA}$, FORCEOFF = V_{CC} | | 0.4 | V |

switching characteristics over recommended ranges of supply voltage and operating free-air temperature (unless otherwise noted) (see Figure 5)

| PARAMETER | TYPT† | UNIT |
|--|-------|---------------|
| t_{valid} Propagation delay time, low- to high-level output | 1 | μs |
| t_{invalid} Propagation delay time, high- to low-level output | 30 | μs |
| t_{en} Supply enable time | 100 | μs |

† All typical values are at $V_{CC} = 3.3 \text{ V}$ or $V_{CC} = 5 \text{ V}$, and $T_A = 25^\circ\text{C}$.

PARAMETER MEASUREMENT INFORMATION



- NOTES: A. C_L includes probe and jig capacitance.
 B. The pulse generator has the following characteristics: PRR = 250 kbit/s, $Z_0 = 50 \Omega$, 50% duty cycle, $t_r \leq 10 \text{ ns}$, $t_f \leq 10 \text{ ns}$.

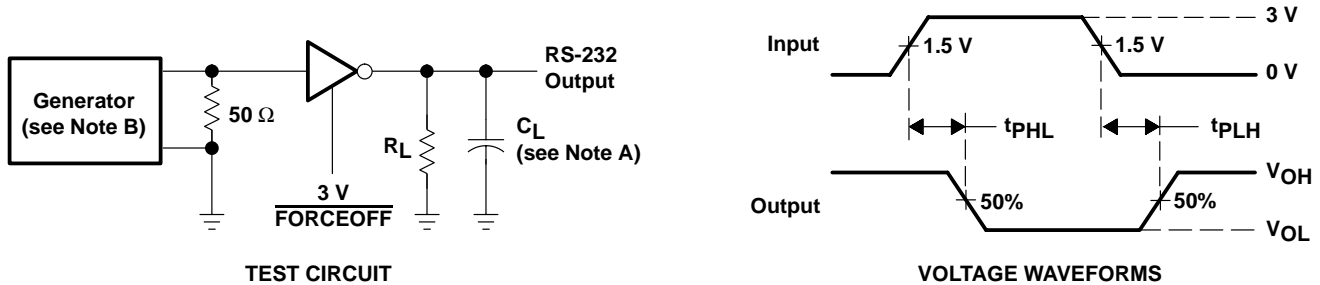
Figure 1. Driver Slew Rate

MAX3223

3-V TO 5.5-V MULTICHANNEL RS-232 LINE DRIVER/RECEIVER

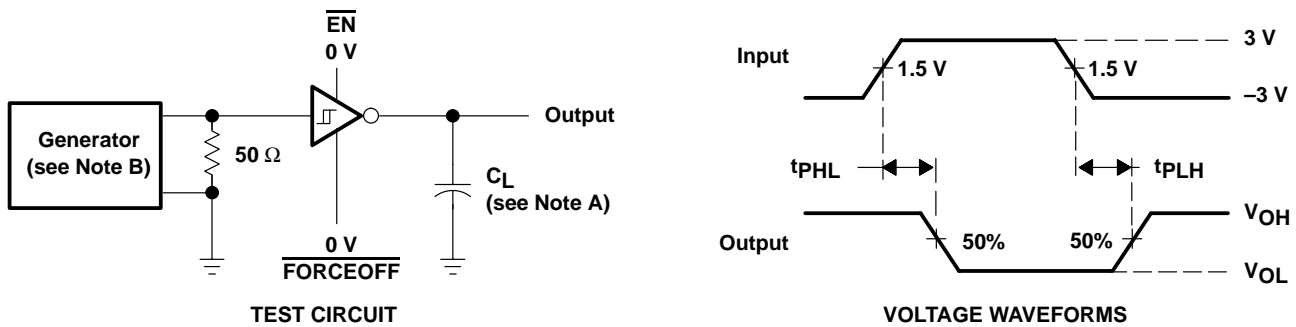
SLLS409C – JANUARY 2000 – REVISED DECEMBER 2001

PARAMETER MEASUREMENT INFORMATION



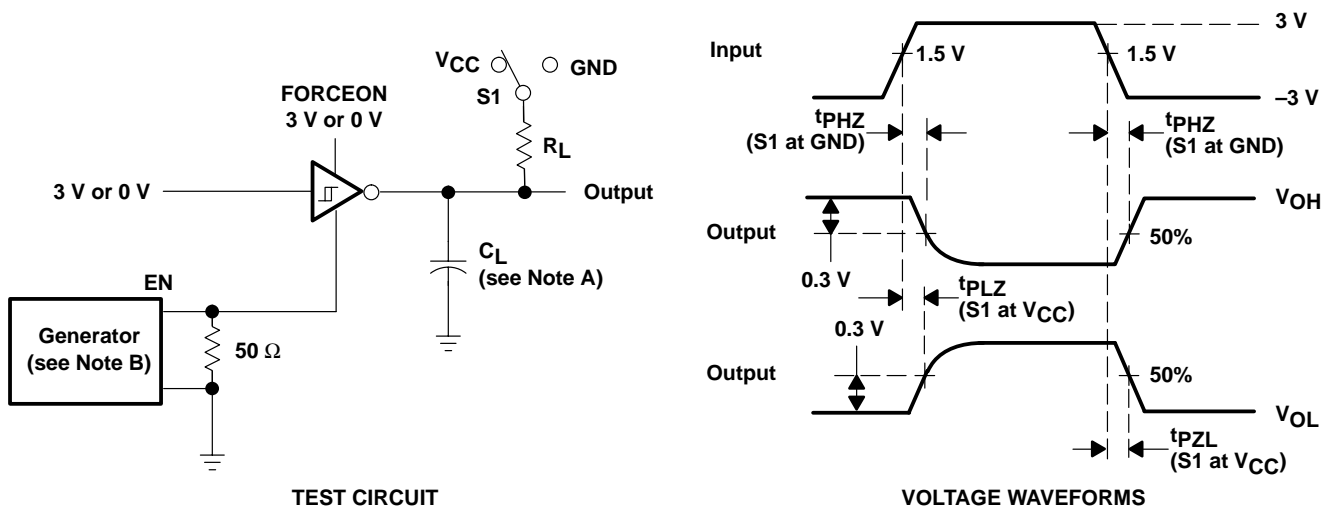
NOTES: A. C_L includes probe and jig capacitance.
 B. The pulse generator has the following characteristics: PRR = 250 kbit/s, $Z_O = 50 \Omega$, 50% duty cycle, $t_r \leq 10$ ns, $t_f \leq 10$ ns.

Figure 2. Driver Pulse Skew



NOTES: A. C_L includes probe and jig capacitance.
 B. The pulse generator has the following characteristics: $Z_O = 50 \Omega$, 50% duty cycle, $t_r \leq 10$ ns, $t_f \leq 10$ ns.

Figure 3. Receiver Propagation Delay Times



NOTES: A. C_L includes probe and jig capacitance.
 B. The pulse generator has the following characteristics: $Z_O = 50 \Omega$, 50% duty cycle, $t_r \leq 10$ ns, $t_f \leq 10$ ns.

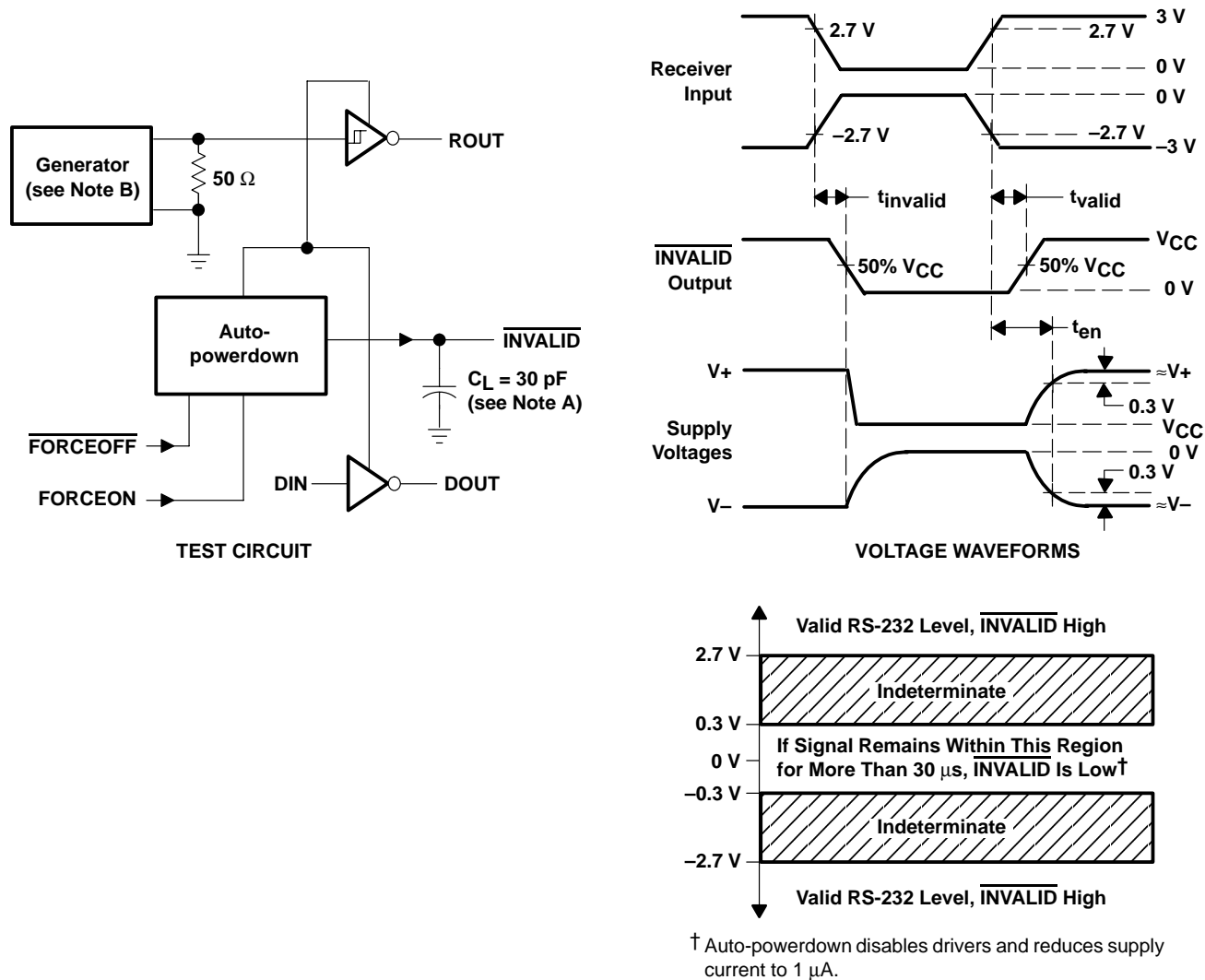
Figure 4. Receiver Enable and Disable Times

MAX3223

3-V TO 5.5-V MULTICHANNEL RS-232 LINE DRIVER/RECEIVER

SLLS409C – JANUARY 2000 – REVISED DECEMBER 2001

PARAMETER MEASUREMENT INFORMATION



NOTES: A. C_L includes probe and jig capacitance.

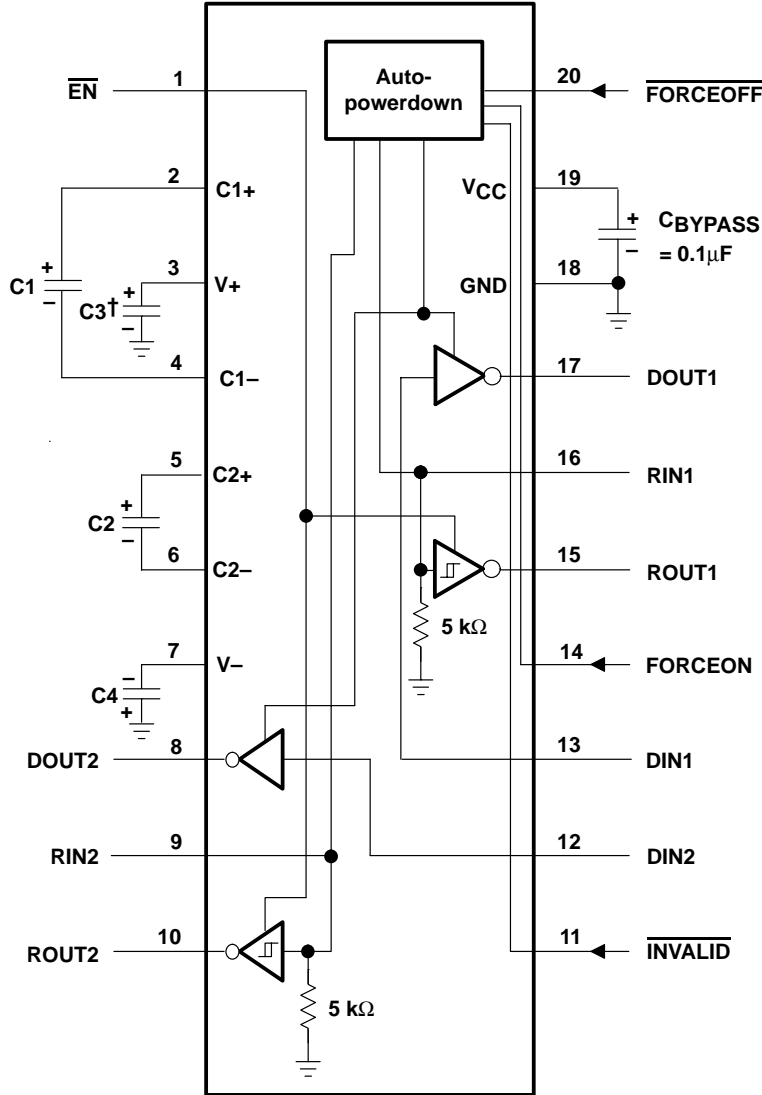
B. The pulse generator has the following characteristics: PRR = 5 kbit/s, $Z_O = 50 \Omega$, 50% duty cycle, $t_r \leq 10$ ns, $t_f \leq 10$ ns.

Figure 5. $\overline{\text{INVALID}}$ Propagation Delay Times and Supply Enabling Time

MAX3223
3-V TO 5.5-V MULTICHANNEL RS-232 LINE DRIVER/RECEIVER

SLLS409C – JANUARY 2000 – REVISED DECEMBER 2001

APPLICATION INFORMATION



† C3 can be connected to V_{CC} or GND .
 NOTE A: Resistor values shown are nominal.

V_{CC} vs CAPACITOR VALUES

| V_{CC} | C1 | C2, C3, C4 |
|---------------|---------------|--------------|
| 3.3 V ± 0.3 V | 0.1 μF | 0.1 μF |
| 5 V ± 0.5 V | 0.047 μF | 0.33 μF |
| 3 V to 5.5 V | 0.1 μF | 0.47 μF |

Figure 6. Typical Operating Circuit and Capacitor Values

IMPORTANT NOTICE

Texas Instruments Incorporated and its subsidiaries (TI) reserve the right to make corrections, modifications, enhancements, improvements, and other changes to its products and services at any time and to discontinue any product or service without notice. Customers should obtain the latest relevant information before placing orders and should verify that such information is current and complete. All products are sold subject to TI's terms and conditions of sale supplied at the time of order acknowledgment.

TI warrants performance of its hardware products to the specifications applicable at the time of sale in accordance with TI's standard warranty. Testing and other quality control techniques are used to the extent TI deems necessary to support this warranty. Except where mandated by government requirements, testing of all parameters of each product is not necessarily performed.

TI assumes no liability for applications assistance or customer product design. Customers are responsible for their products and applications using TI components. To minimize the risks associated with customer products and applications, customers should provide adequate design and operating safeguards.

TI does not warrant or represent that any license, either express or implied, is granted under any TI patent right, copyright, mask work right, or other TI intellectual property right relating to any combination, machine, or process in which TI products or services are used. Information published by TI regarding third-party products or services does not constitute a license from TI to use such products or services or a warranty or endorsement thereof. Use of such information may require a license from a third party under the patents or other intellectual property of the third party, or a license from TI under the patents or other intellectual property of TI.

Reproduction of information in TI data books or data sheets is permissible only if reproduction is without alteration and is accompanied by all associated warranties, conditions, limitations, and notices. Reproduction of this information with alteration is an unfair and deceptive business practice. TI is not responsible or liable for such altered documentation.

Resale of TI products or services with statements different from or beyond the parameters stated by TI for that product or service voids all express and any implied warranties for the associated TI product or service and is an unfair and deceptive business practice. TI is not responsible or liable for any such statements.

Mailing Address:

Texas Instruments
Post Office Box 655303
Dallas, Texas 75265