



Quad, SPST Analog Switch

MAX4613

General Description

The MAX4613 quad analog switch features on-resistance matching (4Ω max) between switches and guarantees on-resistance flatness over the signal range (9Ω max). This low on-resistance switch conducts equally well in either direction. It guarantees low charge injection (10pC max), low power consumption ($35\mu\text{W}$ max), and an electrostatic discharge (ESD) tolerance of 2000V minimum per Method 3015.7. The new design offers lower off leakage current over temperature (less than 5nA at $+85^\circ\text{C}$).

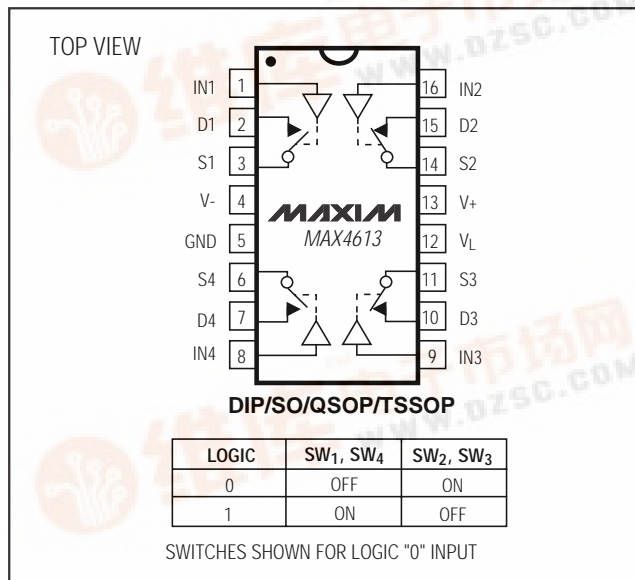
The MAX4613 quad, single-pole/single-throw (SPST) analog switch has two normally closed switches and the two normally open switches. Switching times are less than 250ns for t_{ON} and less than 70ns for t_{OFF} . Operation is from a single $+4.5\text{V}$ to $+40\text{V}$ supply or bipolar $\pm 4.5\text{V}$ to $\pm 20\text{V}$ supplies.

Applications

- | | |
|------------------------------|--------------------------|
| Sample-and-Hold Circuits | Communication Systems |
| Test Equipment | Battery-Operated Systems |
| Heads-Up Displays | PBX, PABX |
| Guidance and Control Systems | Audio Signal Routing |
| Military Radios | Modems/Faxes |

Pin Configuration/

Functional Diagram/Truth Table



Features

- ◆ Pin Compatible with Industry-Standard DG213
- ◆ Guaranteed R_{ON} Match Between Channels (4Ω max)
- ◆ Guaranteed $R_{\text{FLAT(ON)}}$ Over Signal Range (9Ω max)
- ◆ Guaranteed Charge Injection (10pC max)
- ◆ Low Off Leakage Current Over Temperature ($<5\text{nA}$ at $+85^\circ\text{C}$)
- ◆ Withstands 2000V min ESD, per Method 3015.7
- ◆ Low $R_{\text{DS(ON)}}$ (85Ω max)
- ◆ Single-Supply Operation $+4.5\text{V}$ to $+40\text{V}$
Bipolar-Supply Operation $\pm 4.5\text{V}$ to $\pm 20\text{V}$
- ◆ Low Power Consumption ($35\mu\text{W}$ max)
- ◆ Rail-to-Rail[®] Signal Handling
- ◆ TTL/CMOS-Logic Compatible

Ordering Information

PART	TEMP. RANGE	PIN-PACKAGE
MAX4613CPE	0°C to $+70^\circ\text{C}$	16 Plastic DIP
MAX4613CSE	0°C to $+70^\circ\text{C}$	16 Narrow SO
MAX4613CEE	0°C to $+70^\circ\text{C}$	16 QSOP
MAX4613CUE	0°C to $+70^\circ\text{C}$	16 TSSOP**
MAX4613C/D	0°C to $+70^\circ\text{C}$	Dice*
MAX4613EPE	-40°C to $+85^\circ\text{C}$	16 Plastic DIP
MAX4613ESE	-40°C to $+85^\circ\text{C}$	16 Narrow SO
MAX4613EEE	-40°C to $+85^\circ\text{C}$	16 QSOP
MAX4613EUE	-40°C to $+85^\circ\text{C}$	16 TSSOP**

*Contact factory for dice specifications.

**Contact factory for availability.

Quad, SPST Analog Switch

ABSOLUTE MAXIMUM RATINGS

Voltage Referenced to GND		Continuous Power Dissipation ($T_A = +70^\circ\text{C}$)	
V+	+44V	Plastic DIP (derate 10.53mW/ $^\circ\text{C}$ above $+70^\circ\text{C}$)	842mW
V-	-44V	Narrow SO (derate 8.70mW/ $^\circ\text{C}$ above $+70^\circ\text{C}$)	696mW
V+ to V-	+44V	QSOP (derate 8.3mW/ $^\circ\text{C}$ above $+70^\circ\text{C}$)	667mW
V _L	(GND - 0.3V) to (V+ + 0.3V)	TSSOP (derate 5.7mW/ $^\circ\text{C}$ above $+70^\circ\text{C}$)	457mW
Digital Inputs V _S , V _D (Note 1)	(V- - 2V) to (V+ + 2V) or 30mA (whichever occurs first)	Operating Temperature Ranges	
Continuous Current (any terminal)	30mA	MAX4613C_ _	0 $^\circ\text{C}$ to $+70^\circ\text{C}$
Peak Current, S_ or D_	100mA (pulsed at 1ms, 10% duty cycle max)	MAX4613E_ _	-40 $^\circ\text{C}$ to $+85^\circ\text{C}$
		Storage Temperature Range	-65 $^\circ\text{C}$ to $+165^\circ\text{C}$
		Lead Temperature (soldering, 10sec)	$+300^\circ\text{C}$

Note 1: Signals on S_, D_, or IN_ exceeding V+ or V- are clamped by internal diodes. Limit forward current to maximum current rating.

Stresses beyond those listed under "Absolute Maximum Ratings" may cause permanent damage to the device. These are stress ratings only, and functional operation of the device at these or any other conditions beyond those indicated in the operational sections of the specifications is not implied. Exposure to absolute maximum rating conditions for extended periods may affect device reliability.

ELECTRICAL CHARACTERISTICS—Dual Supplies

(V+ = 15V, V- = -15V, V_L = 5V, GND = 0V, V_{INH} = 2.4V, V_{INL} = 0.8V, T_A = T_{MIN} to T_{MAX}, unless otherwise noted.)

PARAMETER	SYMBOL	CONDITIONS	MIN	TYP (Note 2)	MAX	UNITS		
SWITCH								
Analog Signal Range	V _{ANALOG}	(Note 3)	-15		15	V		
Drain-Source On-Resistance	R _{DS(ON)}	V _D = $\pm 10\text{V}$, I _S = 1mA	T _A = $+25^\circ\text{C}$		55	70	Ω	
			T _A = T _{MIN} to T _{MAX}			85		
On-Resistance Match Between Channels (Note 4)	$\Delta R_{DS(ON)}$	V _D = $\pm 10\text{V}$, I _S = 1mA	T _A = $+25^\circ\text{C}$			4	Ω	
			T _A = T _{MIN} to T _{MAX}			5		
On-Resistance Flatness (Note 4)	R _{FLAT(ON)}	V _D = $\pm 5\text{V}$, I _S = 1mA	T _A = $+25^\circ\text{C}$			9	Ω	
			T _A = T _{MIN} to T _{MAX}			15		
Source Leakage Current (Note 5)	I _{S(OFF)}	V _D = $\pm 14\text{V}$, V _S = $\mp 14\text{V}$	T _A = $+25^\circ\text{C}$		-0.50	0.01	0.50	nA
			T _A = T _{MIN} to T _{MAX}		-5		5	
Drain-Off Leakage Current (Note 5)	I _{D(OFF)}	V _D = $\pm 14\text{V}$, V _S = $\mp 14\text{V}$	T _A = $+25^\circ\text{C}$		-0.50	0.01	0.50	nA
			T _A = T _{MIN} to T _{MAX}		-5		5	
Drain-On Leakage Current (Note 5)	I _{D(ON)} or I _{S(ON)}	V _D = $\pm 14\text{V}$, V _S = $\pm 14\text{V}$	T _A = $+25^\circ\text{C}$		-0.50	0.08	0.50	nA
			T _A = T _{MIN} to T _{MAX}		-10		10	
INPUT								
Input Current with Input Voltage High	I _{INH}	V _{IN} = 2.4V, all others = 0.8V	-0.5	-0.00001	0.5	μA		
Input Current with Input Voltage Low	I _{INL}	V _{IN} = 0.8V, all others = 2.4V	-0.5	-0.00001	0.5	μA		
SUPPLY								
Power-Supply Range	V+, V-		± 4.5		± 20.0	V		
Positive Supply Current	I+	All channels on or off, V _{IN} = 0 or 5V	T _A = $+25^\circ\text{C}$		-1	0.001	1	μA
			T _A = T _{MIN} to T _{MAX}		-5		5	
Negative Supply Current	I-	All channels on or off, V _{IN} = 0 or 5V	T _A = $+25^\circ\text{C}$		-1	0.001	1	μA
			T _A = T _{MIN} to T _{MAX}		-5		5	

Quad, SPST Analog Switch

MAX4613

ELECTRICAL CHARACTERISTICS—Dual Supplies (continued)

(V₊ = 15V, V₋ = -15V, V_L = 5V, GND = 0V, V_{INH} = 2.4V, V_{INL} = 0.8V, T_A = T_{MIN} to T_{MAX}, unless otherwise noted.)

PARAMETER	SYMBOL	CONDITIONS		MIN	TYP (Note 2)	MAX	UNITS
Logic Supply Current	I _L	All channels on or off, V _{IN} = 0 or 5V	T _A = +25°C	-1	0.001	1	μA
			T _A = T _{MIN} to T _{MAX}	-5		5	
Ground Current	I _{GND}	All channels on or off, V _{IN} = 0 or 5V	T _A = +25°C	-1	-0.0001	1	μA
			T _A = T _{MIN} to T _{MAX}	-5		5	
DYNAMIC							
Turn-On Time (Note 3)	t _{ON}	V _S = ±10V, Figure 2	T _A = +25°C		150	250	ns
Turn-Off Time (Note 3)	t _{OFF}	V _S = ±10V, Figure 2	T _A = +25°C		90	120	ns
Break-Before-Make Time Delay (Note 3)	t _D	Figure 3	T _A = +25°C	5	20		ns
Charge Injection (Note 3)	Q	C _L = 1nF, V _{GEN} = 0, R _{GEN} = 0, Figure 4	T _A = +25°C		5	10	pC
Off-Isolation Rejection Ratio (Note 6)	OIRR	R _L = 50Ω, C _L = 5pF, f = 1MHz, Figure 5	T _A = +25°C		60		dB
Crosstalk (Note 7)		R _L = 50Ω, C _L = 5pF, f = 1MHz, Figure 6	T _A = +25°C		100		dB
Source-Off Capacitance	C _{S(OFF)}	f = 1MHz, Figure 7	T _A = +25°C		4		pF
Drain-Off Capacitance	C _{D(OFF)}	f = 1MHz, Figure 7	T _A = +25°C		4		pF
Source-On Capacitance	C _{S(ON)}	f = 1MHz, Figure 8	T _A = +25°C		16		pF
Drain-On Capacitance	C _{D(ON)}	f = 1MHz, Figure 8	T _A = +25°C		16		pF

ELECTRICAL CHARACTERISTICS—Single Supply

(V₊ = 12V, V₋ = 0V, V_L = 5V, GND = 0V, V_{INH} = 2.4V, V_{INL} = 0.8V, T_A = T_{MIN} to T_{MAX}, unless otherwise noted.)

PARAMETER	SYMBOL	CONDITIONS		MIN	TYP (Note 2)	MAX	UNITS
SWITCH							
Analog Signal Range	V _{ANALOG}			0		12	V
Drain-Source On-Resistance	R _{DS(ON)}	V _L = 5V; V _D = 3V, 8V; I _S = 1mA	T _A = +25°C		100	160	Ω
			T _A = T _{MIN} to T _{MAX}			200	
SUPPLY							
Power-Supply Range	V ₊ , V ₋			4.5		40	V
Power-Supply Current	I ₊	All channels on or off, V _{IN} = 0 or 5V	T _A = +25°C	-1	0.001	1	μA
			T _A = T _{MIN} to T _{MAX}	-5		5	
Negative Supply Current	I ₋	All channels on or off, V _{IN} = 0 or 5V	T _A = +25°C	-1	-0.0001	1	μA
			T _A = T _{MIN} to T _{MAX}	-5		5	
Logic Supply Current	I _L	All channels on or off, V _{IN} = 0 or 5V	T _A = +25°C	-1	0.001	1	μA
			T _A = T _{MIN} to T _{MAX}	-5		5	
Ground Current	I _{GND}	All channels on or off, V _{IN} = 0 or 5V	T _A = +25°C	-1	-0.0001	1	μA
			T _A = T _{MIN} to T _{MAX}	-5		5	

Quad, SPST Analog Switch

ELECTRICAL CHARACTERISTICS—Single Supply (continued)

($V_+ = 12V$, $V_- = 0$, $V_L = 5V$, $GND = 0V$, $V_{INH} = 2.4V$, $V_{INL} = 0.8V$, $T_A = T_{MIN}$ to T_{MAX} , unless otherwise noted.)

PARAMETER	SYMBOL	CONDITIONS	MIN	TYP (Note 2)	MAX	UNITS
DYNAMIC						
Turn-On Time (Note 3)	t_{ON}	$V_S = 8V$, Figure 2		300	400	ns
Turn-Off Time (Note 3)	t_{OFF}	$V_S = 8V$, Figure 2		60	200	ns
Charge Injection (Note 3)	Q	$C_L = 1nF$, $V_{GEN} = 0$, $R_{GEN} = 0$, Figure 4		5	10	pC

Note 2: Typical values are for **design aid only**, are not guaranteed and are not subject to production testing. The algebraic convention, where the most negative value is a minimum and the most positive value a maximum, is used in this data sheet.

Note 3: Guaranteed by design.

Note 4: On-resistance match between channels and flatness are guaranteed only with bipolar-supply operation. Flatness is defined as the difference between the maximum and the minimum value of on-resistance as measured at the extremes of the specified analog signal range.

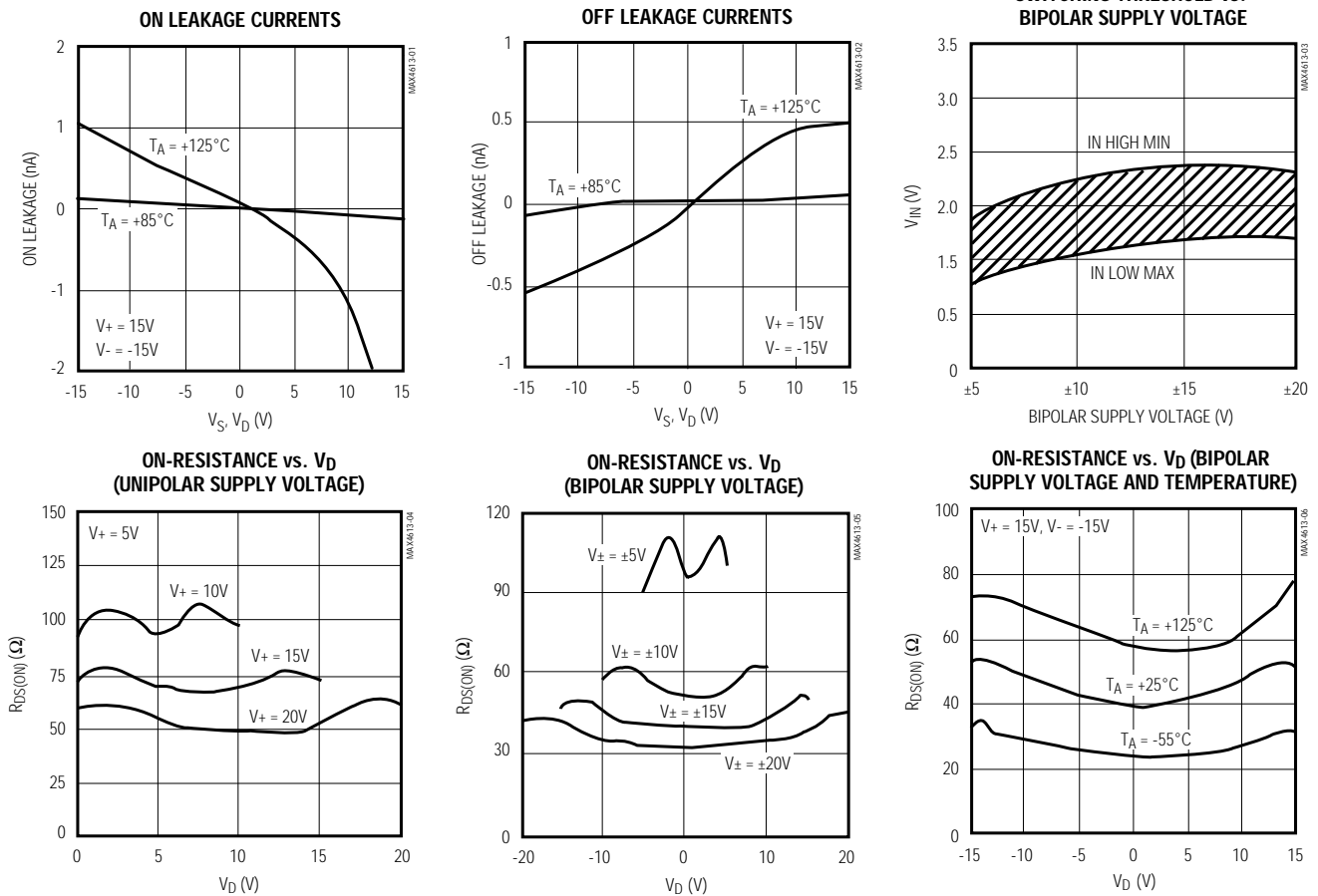
Note 5: Leakage parameters $I_{S(OFF)}$, $I_{D(OFF)}$, $I_{D(ON)}$, and $I_{S(ON)}$ are 100% tested at the maximum rated hot temperature and guaranteed at $+25^\circ C$.

Note 6: Off-Isolation Rejection Ratio = $20\log(V_D/V_S)$.

Note 7: Between any two switches.

Typical Operating Characteristics

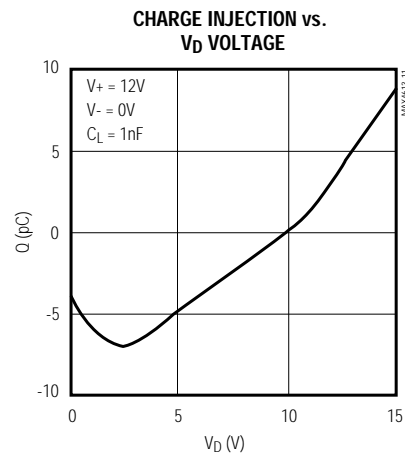
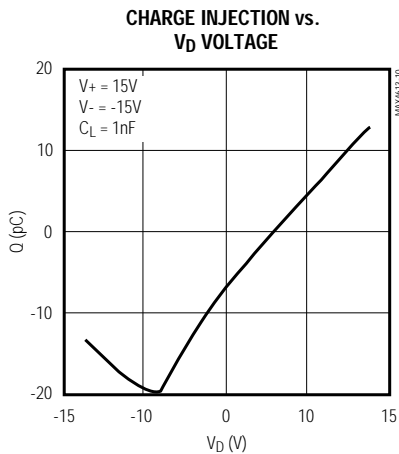
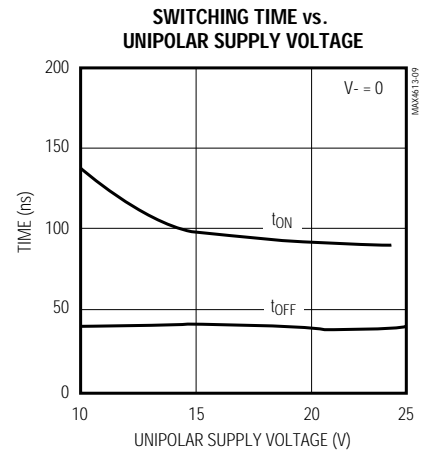
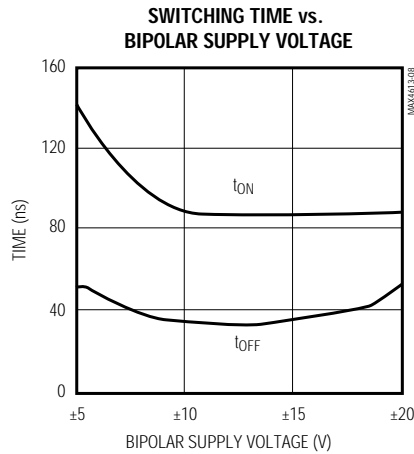
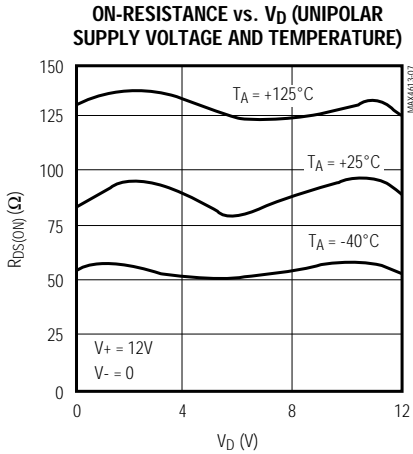
($T_A = +25^\circ C$, unless otherwise noted.)



Quad, SPST Analog Switch

Typical Operating Characteristics (continued)

($T_A = +25^\circ\text{C}$, unless otherwise noted.)



Pin Description

PIN	NAME	FUNCTION
1, 16, 9, 8	IN1–IN4	Logic Control Inputs
2, 15, 10, 7	D1–D4	Drain Outputs
3, 14, 11, 6	S1–S4	Source Outputs
4	V-	Negative Supply-Voltage Input
5	GND	Ground
12	V _L	Logic Supply-Voltage Input
13	V+	Positive Supply-Voltage Input—connected to substrate

Applications Information

General Operation

- 1) Switches are open when power is off.
- 2) IN_n, D_n, and S_n should not exceed V₊ or V₋, even with the power off.
- 3) Switch leakage is from each analog switch terminal to V₊ or V₋, not to other switch terminals.

Operation with Supply Voltages

Other than ±15V

Using supply voltages less than ±15V will reduce the analog signal range. The MAX4613 operates with ±4.5V to ±20V bipolar supplies or with a +4.5V to +40V single

Quad, SPST Analog Switch

supply; connect V- to GND when operating with a single supply. Also, all device types can operate with unbalanced supplies such as +24V and -5V. V_L must be connected to +5V to be TTL compatible, or to V+ for CMOS-logic level inputs. The *Typical Operating Characteristics* graphs show typical on-resistance with ±20V, ±15V, ±10V, and ±5V supplies. (Switching times increase by a factor of two or more for operation at ±5V.)

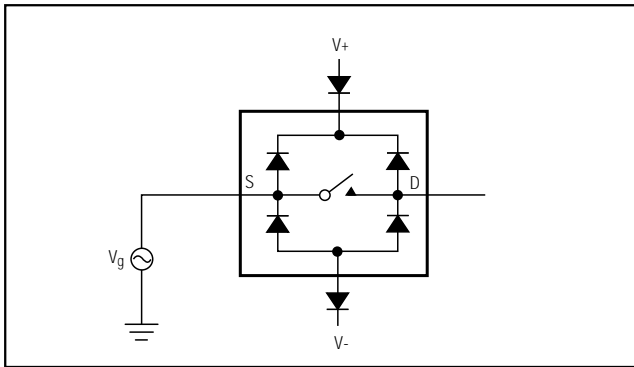


Figure 1. Overvoltage Protection Using External Blocking Diodes

Overvoltage Protection

Proper power-supply sequencing is recommended for all CMOS devices. Do not exceed the absolute maximum ratings because stresses beyond the listed ratings may cause permanent damage to the devices. Always sequence V+ on first, followed by V_L, V-, and logic inputs. If power-supply sequencing is not possible, add two small, external signal diodes in series with supply pins for overvoltage protection (Figure 1). Adding diodes reduces the analog signal range to 1V below V+ and 1V above V-, but low switch resistance and low leakage characteristics are unaffected. Device operation is unchanged, and the difference between V+ and V- should not exceed +44V.

Timing Diagrams/Test Circuits

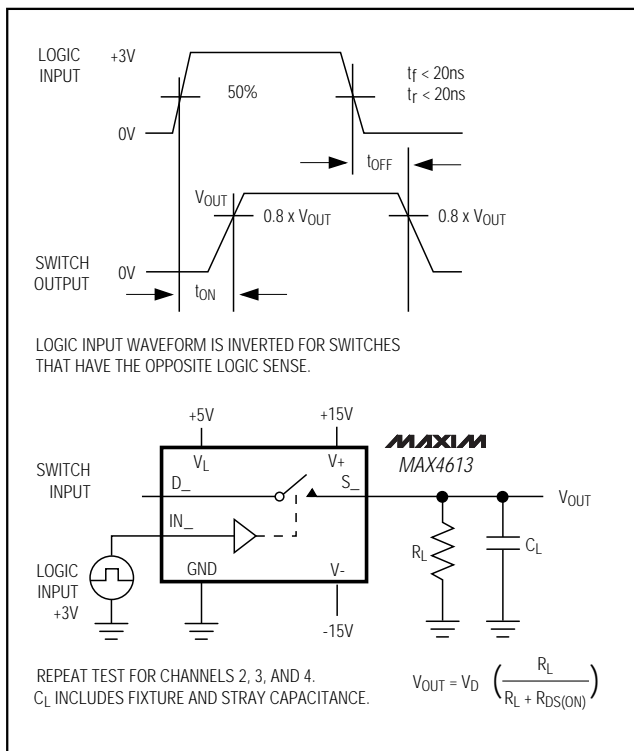


Figure 2. Switching Time

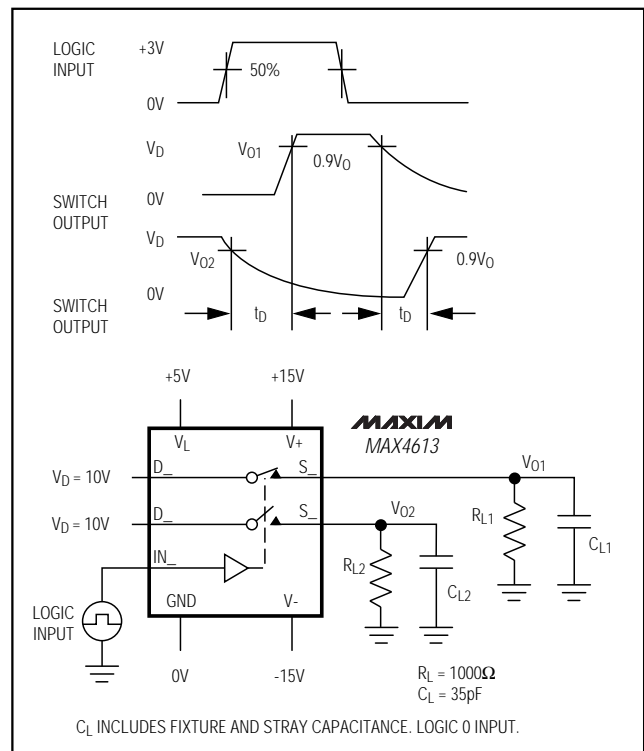


Figure 3. Break-Before-Make Test Circuit

Quad, SPST Analog Switch

Timing Diagrams/Test Circuits (continued)

MAX4613

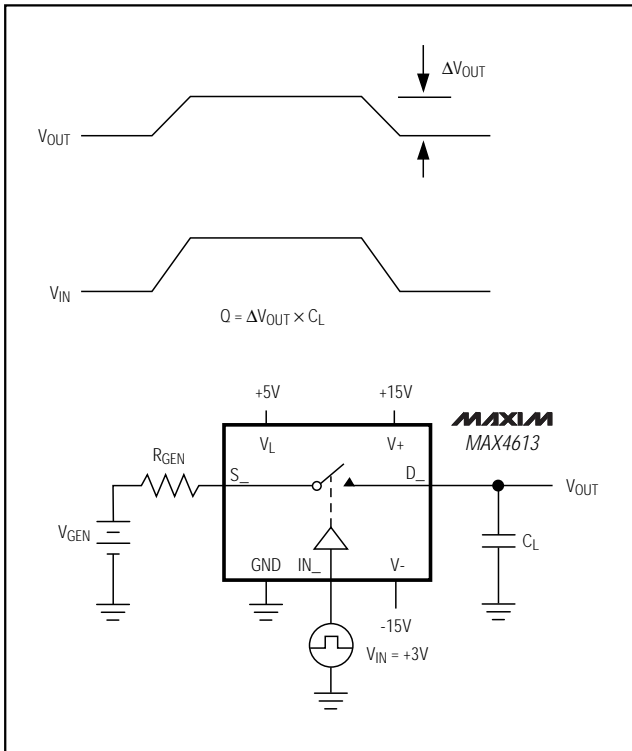


Figure 4. Charge Injection

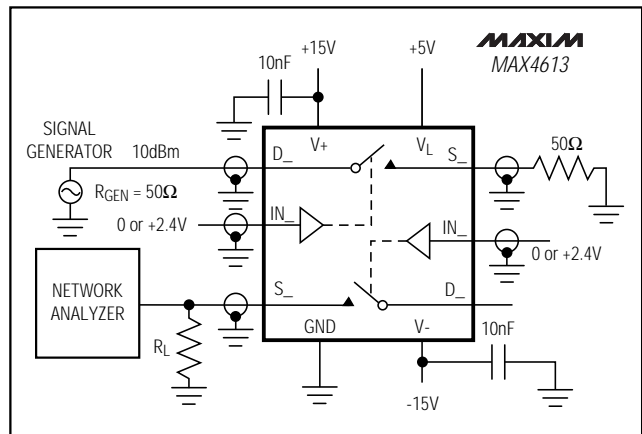


Figure 6. Crosstalk

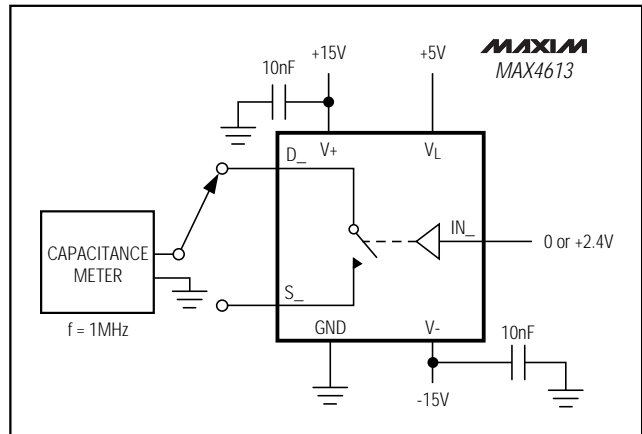


Figure 7. Source/Drain-Off Capacitance

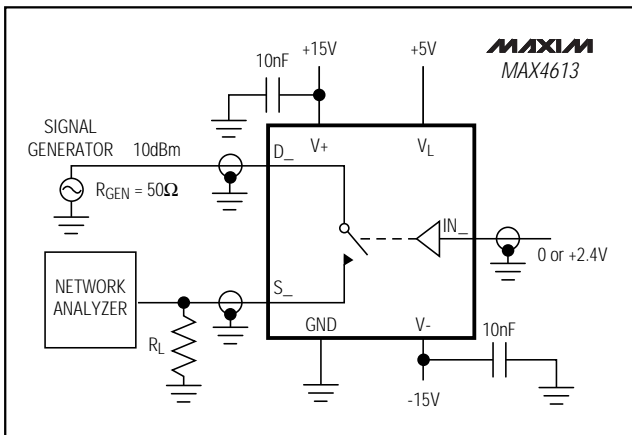


Figure 5. Off-Isolation Rejection Ratio

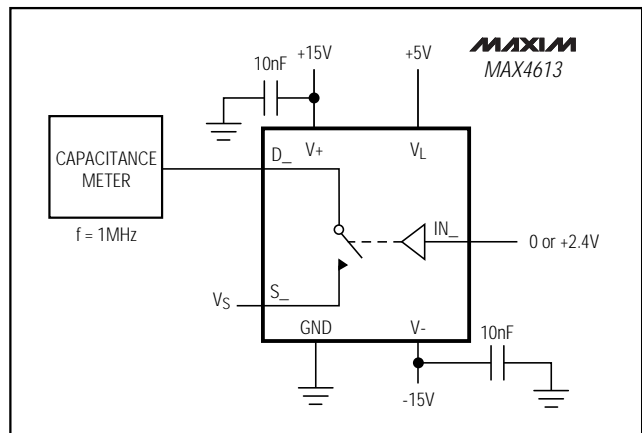
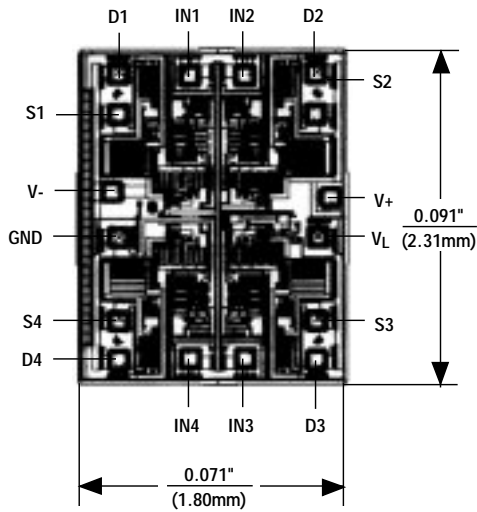


Figure 8. Source/Drain-On Capacitance

Quad, SPST Analog Switch

Chip Topography



TRANSISTOR COUNT: 126
SUBSTRATE CONNECTED TO V+

Package Information

COMMON DIMENSIONS				
DIM.	MILLIMETERS		INCHES	
	MIN.	MAX.	MIN.	MAX.
A	0.05	0.15	.002	.006
A ₁	0.85	0.95	.033	.037
b	0.19	0.30	.007	.012
b ₁	0.19	0.25	.007	.010
c	0.090	0.20	.0035	.008
c ₁	0.090	0.135	.0035	.0053
D	SEE VARIATIONS SEE VARIATIONS			
E	4.30	4.50	.169	.177
e	0.65 BSC .026 BSC			
H	6.25	6.50	.246	.256
L	0.50	0.70	.020	.028
N	SEE VARIATIONS SEE VARIATIONS			
α	0°	8°	0°	8°

JEDEC	N	VARIATIONS				
		MILLIMETERS		INCHES		
		MIN.	MAX.	MIN.	MAX.	
AC	16	D	4.90	5.10	.193	.201
AD	20	D	6.40	6.60	.252	.260
AD-EP	20	D	6.40	6.60	.252	.260
		X	4.00	4.34	.157	.171
		Y	2.84	3.15	.112	.124
AE	24	D	7.70	7.90	.303	.311
AF	28	D	9.60	9.80	.378	.386

NOTES:

- DIMENSIONS D AND E DO NOT INCLUDE FLASH.
- MOLD FLASH OR PROTRUSIONS NOT TO EXCEED .15 mm PER SIDE.
- CONTROLLING DIMENSION: MILLIMETER.
- MEETS JEDEC OUTLINE MO-153 VARIATIONS AB, AC, AD, AE.
- DIMENSIONS X AND Y APPLY TO EXPOSED PAD (EP) VERSIONS ONLY.
- EXPOSED PAD FLUSH WITH BOTTOM OF PACKAGE WITHIN .002".

Maxim cannot assume responsibility for use of any circuitry other than circuitry entirely embodied in a Maxim product. No circuit patent licenses are implied. Maxim reserves the right to change the circuitry and specifications without notice at any time.

8 Maxim Integrated Products, 120 San Gabriel Drive, Sunnyvale, CA 94086 408-737-7600