

TOSHIBA FIELD EFFECT TRANSISTOR GaAs N-CHANNEL DUAL GATE MES TYPE

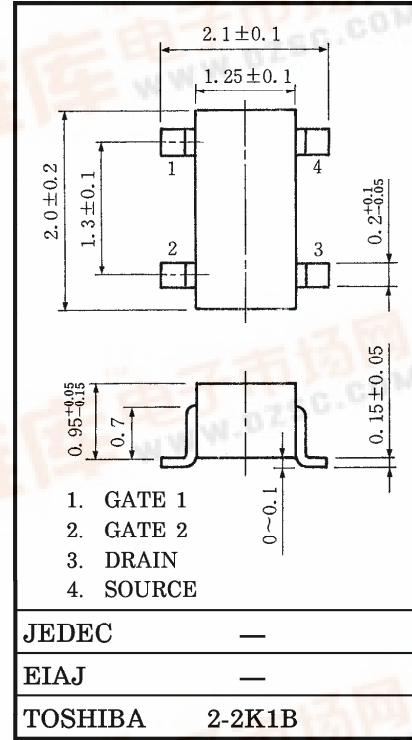
3SK274

TV TUNER, UHF RF AMPLIFIER APPLICATIONS.

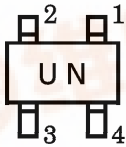
Unit in mm

MAXIMUM RATINGS (Ta = 25°C)

CHARACTERISTIC	SYMBOL	RATING	UNIT
Gate1-Drain Voltage	V _{G1DO}	-9	V
Gate2-Drain Voltage	V _{G2DO}	-9	V
Gate1-Source Voltage	V _{G1S}	-4	V
Gate2-Source Voltage	V _{G2S}	-4	V
Gate1 Current	I _{G1}	1	mA
Gate2 Current	I _{G2}	1	mA
Power Dissipation	P _D	100	mW
Channel Temperature	T _{ch}	125	°C
Storage Temperature Range	T _{stg}	-55~125	°C



MARKING



ELECTRICAL CHARACTERISTICS (Ta = 25°C)

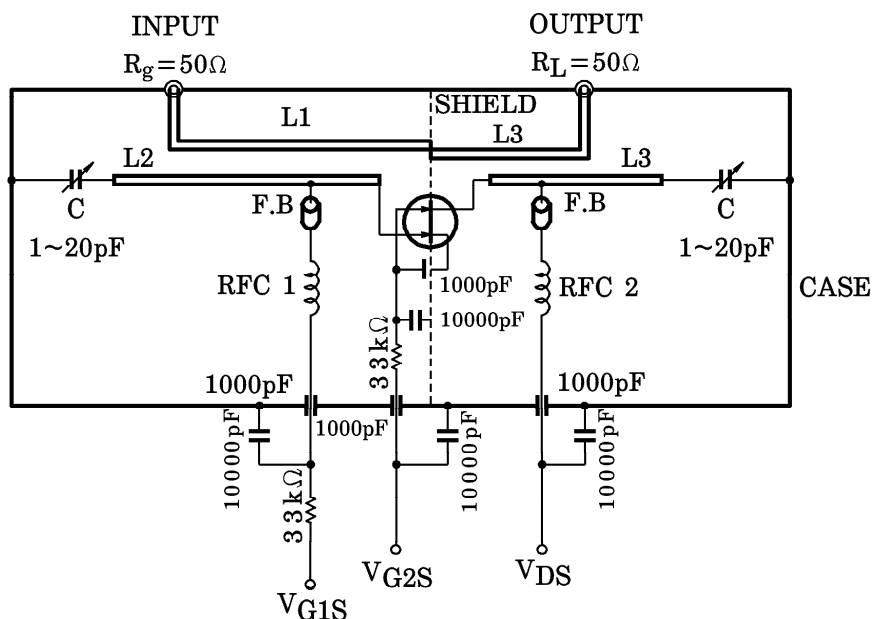
Weight : 0.006g

CHARACTERISTIC	SYMBOL	TEST CONDITION	MIN.	TYP.	MAX.	UNIT
Gate1 Leakage Current	I _{G1SS}	V _{DS} =0, V _{G1S} =-3V, V _{G2S} =0	—	—	-4	μA
Gate2 Leakage Current	I _{G2SS}	V _{DS} =0, V _{G1S} =0, V _{G2S} =-3V	—	—	-4	μA
Drain Current	I _{DSS}	V _{DS} =3V, V _{G1S} =0, V _{G2S} =0	6	—	20	mA
Gate1-Source Cut-off Voltage	V _{G1S(OFF)}	V _{DS} =3V, V _{G2S} =0, I _D =100μA	-0.7	—	-1.8	V
Gate2-Source Cut-off Voltage	V _{G2S(OFF)}	V _{DS} =3V, V _{G1S} =0, I _D =100μA	-0.7	—	-1.8	V
Forward Transfer Admittance	Y _{fs}	V _{DS} =3V, V _{G2S} =1V I _D =5mA, f=1kHz	—	19	—	mS
Input Capacitance	C _{iss}	V _{DS} =3V, V _{G2S} =1V I _D =5mA, f=1MHz	—	0.6	1.4	pF
Reverse Transfer Capacitance	C _{rss}		—	0.013	0.030	
Power Gain	G _{ps}	V _{DS} =3V, V _{G2S} =1V	17	20.5	—	dB
Noise Figure	NF	I _D =5mA, f=800MHz (Fig 1)	—	1.0	2.0	

CAUTION

GaAs (Gallium Arsenide) is used in this product. The dust or vapor can be dangerous to humans. Do not break, cut, crush or dissolve chemically. Dispose of this product properly according to law. Do not intermingle with normal industrial or domestic waste.

Fig.1 800MHz Gps, NF TEST CIRCUIT



- L1~L4 : ϕ 0.8mm SILVER PLATED COPPER WIRE
- C : AIR TRIMMER TTA25A 200A (MURATA MFG. Co., LTD.)
- RFC 1 : ϕ 0.35mm UEW 3mm ID, 7T
- RFC 2 : ϕ 0.35mm UEW 3mm ID, 10T

CAUTION

GaAs (Gallium Arsenide) is used in this product. The dust or vapor can be dangerous to humans. Do not break, cut, crush or dissolve chemically. Dispose of this product properly according to law. Do not intermingle with normal industrial or domestic waste.

961001EAC2'

- Gallium arsenide (GaAs) is a substance used in the products described in this document. GaAs dust and fumes are toxic. Do not break, cut or pulverize the product, or use chemicals to dissolve them. When disposing of the products, follow the appropriate regulations. Do not dispose of the products with other industrial waste or with domestic garbage.
- The information contained herein is presented only as a guide for the applications of our products. No responsibility is assumed by TOSHIBA CORPORATION for any infringements of intellectual property or other rights of the third parties which may result from its use. No license is granted by implication or otherwise under any intellectual property or other rights of TOSHIBA CORPORATION or others.
- The information contained herein is subject to change without notice.

