

42118

POSITIVE HIGH TEMPERATURE FIXED VOLTAGE REGULATOR

Designed for use in high temperature environments

Mii

HYBRID MICROELECTRONICS
PRODUCTS DIVISION

Features:

- Operating temperature +200°C
- Output current to 1.0 A
- Input voltage to +30 V
- Internal short circuit protection, foldback and current limiting
- Isolated TO-258 package

Applications:

- Military and Hi Rel Industrial harsh environment applications where hermetically sealed product is required
- Down hole applications

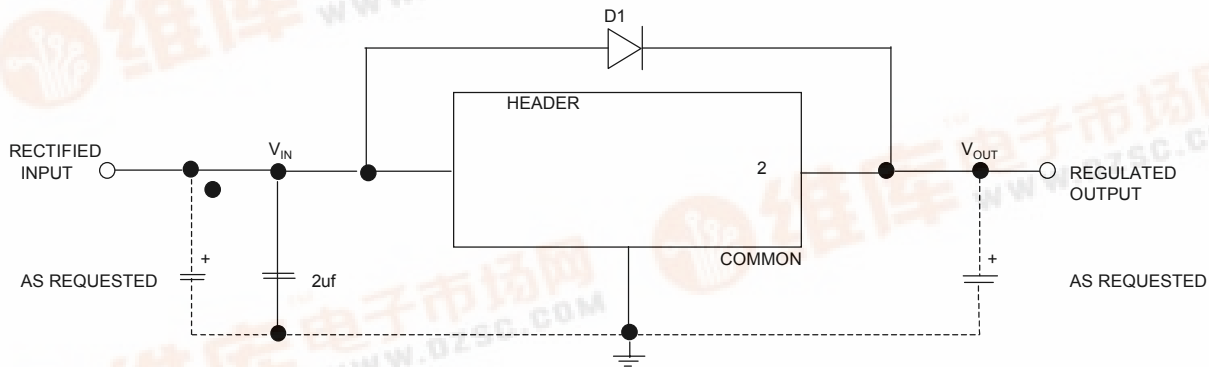
DESCRIPTION

The 42118 series of fixed voltage regulators covers the output voltage range from +5 VDC through +30 VDC. These voltage regulators are fabricated using hybrid techniques and will operate at temperatures up to +200°C. These devices are complete with internal short circuit protection, which includes voltage shutdown and current foldback. The 42118 series voltage regulators normally do not require any additional components. However, for good design practice, an external filter cap of 2µF should be installed at the input, as close to the case as possible.

ABSOLUTE MAXIMUM RATINGS AT 200°C CASE TEMPERATURE

Output Current (I_{OUT})	1.0 A
Input Voltage (V_{IN})	+38 VDC
Storage Temperature (T_{STG}).....	+250°C
Power Dissipation (Pd).....	8 W

Typical Connection Diagram



Note: D1 should be installed for input safety.

Micropac Industries cannot assume any responsibility for any circuits shown or represent that they are free from patent infringement. Micropac reserves the right to make changes at any time in order to improve design and to supply the best product possible.



POSITIVE HIGH TEMPERATURE, FIXED VOLTAGE REGULATOR**ELECTRICAL CHARACTERISTICS**

PARAMETER	TEST CONDITIONS	TEMPERATURE	TYPICAL
*Output voltage	$I_{OUT} = 1.0 \text{ A}$ $V_{IN} = V_{OUT} + 3 \text{ VDC}$	+25°C to +200°C	$V_{OUT} \pm 1.0\%$
*Line regulation	$V_{IN} = (V_{OUT} + 3 \text{ VDC})$ to +38 DC $I_{OUT} = 50 \text{ mA}$	+25°C to +200°C	$V_{OUT} \pm 0.5\%$
Load regulation	$V_{IN} = V_{OUT} + 5 \text{ VDC}$ $I_{OUT} = 0.05 \text{ to } 1.0 \text{ A}$	+25°C to +200°C	$V_{OUT} \pm 0.5\% @ 25^\circ\text{C}$ $\pm 1.0\% @ 200^\circ\text{C}$
Ripple rejection at 120 Hz	$V_{IN} = V_{OUT} + 5 \text{ VDC}$ $I_L = 300 \text{ mA}$	+25°C	-50 dB
Standby current	$V_{IN} = V_{OUT} + 5 \text{ VDC}$ $I_{OUT} = 0$	+25°C	30 mA
Short circuit current	$V_{IN} = V_{OUT} + 5 \text{ VDC}$	+25°C	400 mA
Short circuit current	$V_{IN} = V_{OUT} + 5 \text{ VDC}$	+200°C	200 mA
Foldback current (knee)	$V_{IN} = V_{OUT} + 5 \text{ VDC}$	+25°C	2 A
Foldback current (knee)	$V_{IN} = V_{OUT} + 5 \text{ VDC}$	+200°C	1.5 A
Noise output	$V_{IN} = V_{OUT} + 5 \text{ VDC}$ $I_{OUT} = 300 \text{ mA}$	+25°C	2 mVRMS
Differential voltage ($\Delta V = V_{IN} - V_{OUT}$)	$I_{OUT} = 300 \text{ mA}$	+25°C to +200°C	3 VDC MIN

* $V_{IN} = 10\text{V Min}$ **TABLE 1 (see note)**

TYPE	V_{OUT} (volts)	MAX I_{OUT} (amps)	I_{KNEE} TYP (amps at 25°C)
42118-005	5	1.0	2.0
42118-012	12	1.0	2.0
42118-015	15	1.0	2.0
42118-018	18	1.0	2.0
42118-024	24	1.0	2.0
42118-030	30	1.0	2.0

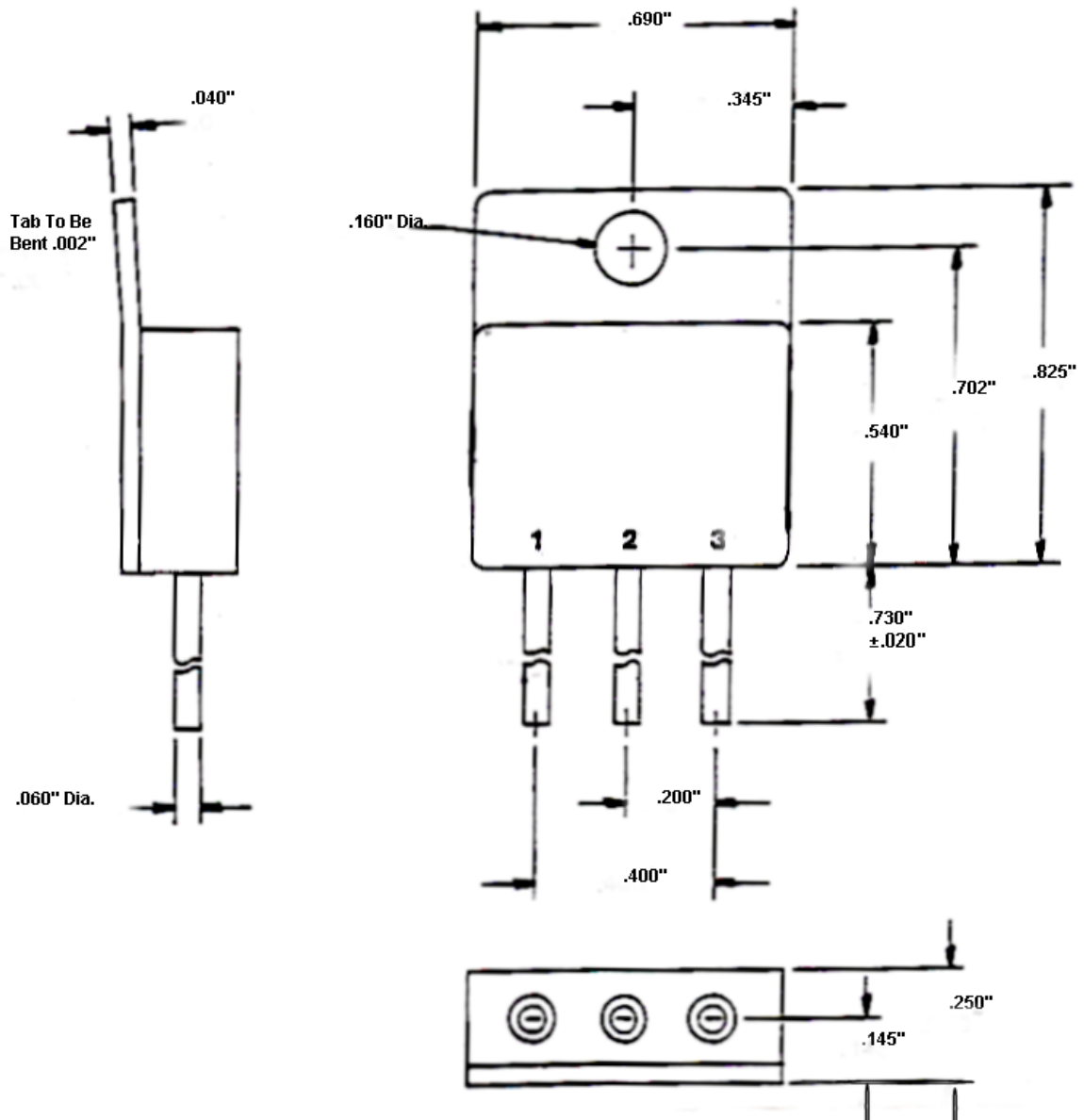
NOTE: Under condition ($V_{IN} - V_{OUT}$) x $I_{OUT} \leq 8$ watts at 200°C

- Option: 1) Other output voltage available
2) MIL-STD-883 type screening available

Micropac Industries cannot assume any responsibility for any circuits shown or represent that they are free from patent infringement.
Micropac reserves the right to make changes at any time in order to improve design and to supply the best product possible.

POSITIVE HIGH TEMPERATURE, FIXED VOLTAGE REGULATOR

Mechanical Configuration



All dimensions in inches

Pin	Function
1	V _{OUT}
2	Common
3	V _{IN}

Micropac Industries cannot assume any responsibility for any circuits shown or represent that they are free from patent infringement. Micropac reserves the right to make changes at any time in order to improve design and to supply the best product possible.