

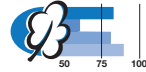
APPLIANCE COUPLERS

Appliance inlets/-outlets

8843-FL, 8843-FLR

Appliance inlet Type 8843-FL

with screw terminals
Pin temperature 70 °C
Protection class I

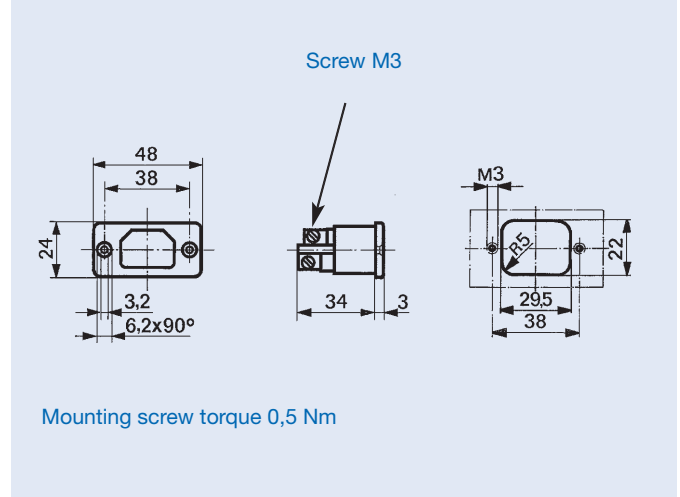


Order Numbers

4300.0065
0859.0086 Rear insulation cover

Technical data:

- Rated current/voltage:
10 A/250 VAC
- Insulation resistance:
> 10 MΩ (500 VDC, 1 Min.)
- Dielectric strength:
2 kV (50 Hz, 1 Min.), to
accessible surfaces
- Material:
– Socket:
thermoset, black,
UL 94V-0



Standards

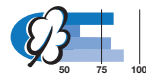
IEC/EN 60320-1/C14

Approvals

	SEV	(10 A / 250 VAC)		UL	(10 A / 250 VAC)
	VDE	(10 A / 250 VAC)		CSA	(10 A / 250 VAC)
	SEMCO	(10 A / 250 VAC)			

Appliance inlet Type 8843-FLR

with screw terminals
Pin temperature 70 °C
Protection class I

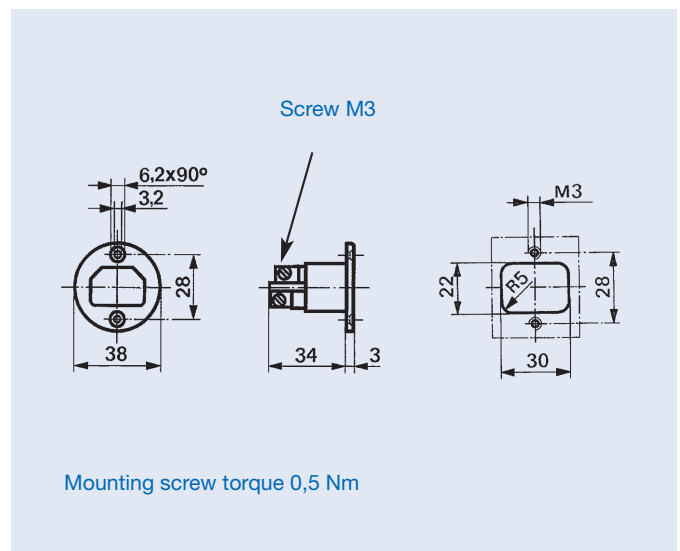


Order Numbers

4300.0066
0859.0086 Rear insulation cover

Technical data:

- Rated current/voltage:
10 A/250 VAC
- Insulation resistance:
> 10 MΩ (500 VDC, 1 Min.)
- Dielectric strength:
2 kV (50 Hz, 1 Min.), to
accessible surfaces
- Material:
– Socket:
thermoset, black,
UL 94V-0



Standards

IEC/EN 60320-1/C14

Approvals

	SEV	(10 A / 250 VAC)		UL	(10 A / 250 VAC)
	VDE	(10 A / 250 VAC)		CSA	(10 A / 250 VAC)
	SEMCO	(10 A / 250 VAC)			