

APPLIANCE COUPLERS

Appliance inlets/-outlets

0720-FS, 0720-FP

0721-PS, 0721-PP

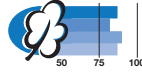
Low current appliance inlet Type 0721-PS/-PP

Snap-in mounting
from front
Solder terminals for wires
or PCB
Pin temperature 70 °C
Protection class II



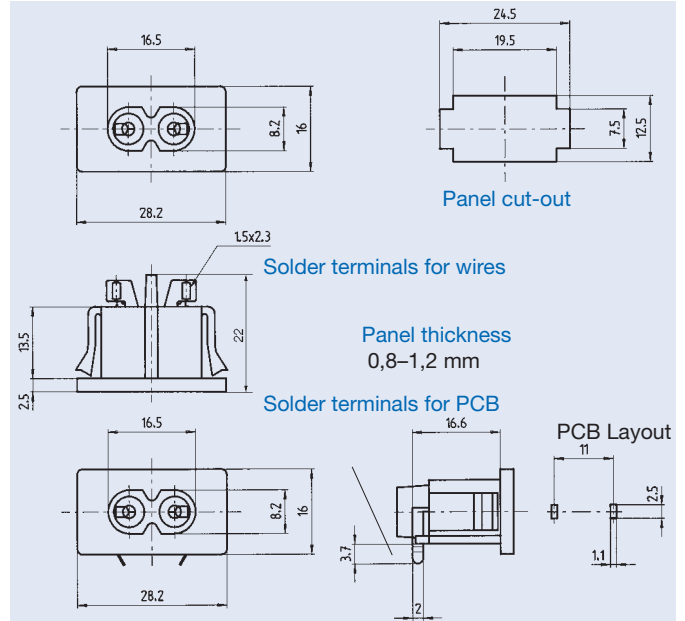
4300.0098

Solder terminals for wires



4300.0099

Terminals for PCB



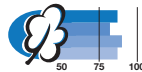
Low current appliance inlet Type 0720-FS/-FP

Screw-on mounting
from front or rear
Solder terminals or PCB
mount
Pin temperature 70 °C
Protection class II



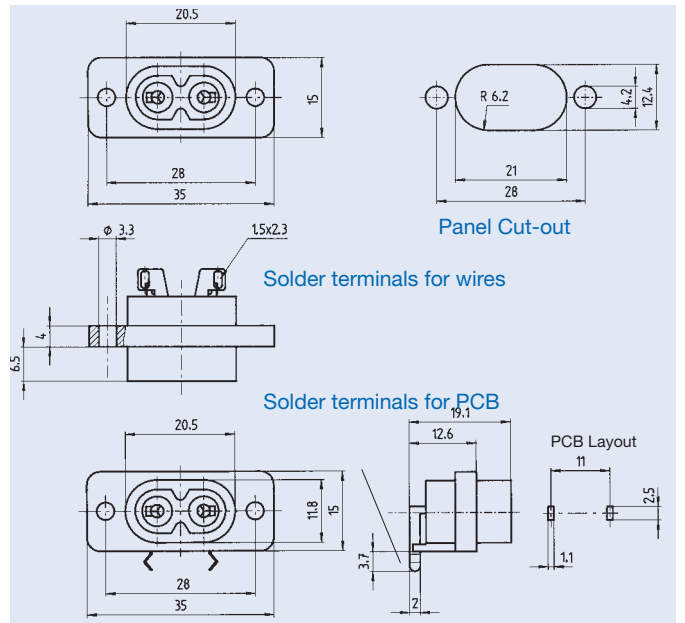
4300.0096

Solder terminals for wires



4300.0097

Terminals for PCB



Technical data:

- Rated current/voltage:
2,5 A/250 VAC
- Insulation resistance:
> 100 MΩ (500 VDC, 1 Min.)
- Dielectric strength:
2 kV (50 Hz, 1 Min.)
(between terminals)
- Material:
 - Socket:
thermoplastic, PBT, black,
30% glass fib., UL 94V-0
 - Prongs and terminals:
copper alloy, tin-plated

Standards

UL 498, CSA C 22,2,
IEC/EN 60320-1/C8

Approvals

SEV (2,5 A / 250 VAC)
VDE (2,5 A / 250 VAC)
SEMKO (2,5 A / 250 VAC)

UL (2,5 A / 250 VAC)
CSA (2,5 A / 250 VAC)

Order Numbers

Snap-in	Type	Terminals
4300.0098	0721-PS	Solder terminals
4300.0099	0721-PP	PCB solder terminals
Screw-on	Type	Terminals
4300.0096	0720-FS	Solder terminals
4300.0097	0720-FP	PCB solder terminals