

3-V TO 6-V INPUT, 3-A OUTPUT TRACKING SYNCHRONOUS BUCK PWM SWITCHER WITH INTEGRATED FETs (SWIFT™) FOR SEQUENCING

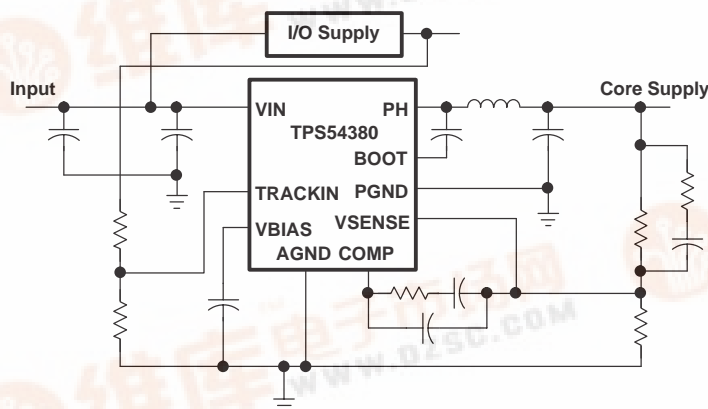
FEATURES

- Power-Up/Down Tracking for Sequencing
- 60-mΩ MOSFET Switches for High Efficiency at 3-A Continuous Output Source or Sink Current
- Wide PWM Frequency:
Fixed 350 kHz or Adjustable 280 kHz to 700 kHz
- Power Good and Enable
- Load Protected by Peak Current Limit and Thermal Shutdown
- Integrated Solution Reduces Board Area and Component Count

APPLICATIONS

- Low-Voltage, High-Density Distributed Power Systems
- Point of Load Regulation for High Performance DSPs, FPGAs, ASICs and Microprocessors Requiring Sequencing
- Broadband, Networking and Optical Communications Infrastructure

SIMPLIFIED SCHEMATIC

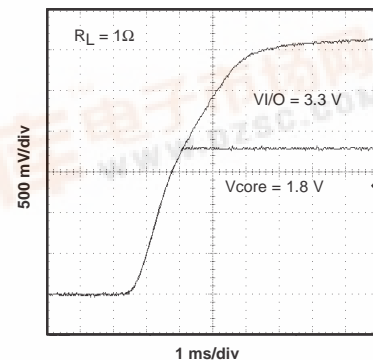


DESCRIPTION

As a member of the SWIFT™ family of dc/dc regulators, the TPS54380 low-input voltage high-output current synchronous buck PWM converter integrates all required active components. Using the TRACKIN pin with other regulators, simultaneous power up and down are easily implemented. Included on the substrate with the listed features are a true, high performance, voltage error amplifier that enables maximum performance and flexibility in choosing the output filter L and C components; an under-voltage-lockout circuit to prevent start-up until the input voltage reaches 3 V; an internally or externally set slow-start circuit to limit inrush currents; and a power good output useful for processor/logic reset.

The TPS54380 is available in a thermally enhanced 20-pin TSSOP (PWP) PowerPAD™ package, which eliminates bulky heatsinks. TI provides evaluation modules and the SWIFT™ designer software tool to aid in quickly achieving high-performance power supply designs to meet aggressive equipment development cycles.

START-UP WAVEFORM



TPS54380

SLVS454A – JANUARY 2003 – REVISED JUNE 2003



These devices have limited built-in ESD protection. The leads should be shorted together or the device placed in conductive foam during storage or handling to prevent electrostatic damage to the MOS gates.

ORDERING INFORMATION

| T _A | OUTPUT VOLTAGE | PACKAGE | PART NUMBER |
|----------------|----------------|-------------------------------------|-------------|
| -40°C to 85°C | 0.9 V to 3.3 V | Plastic HTSSOP (PWP) ⁽¹⁾ | TPS54380PWP |

(1) The PWP package is also available taped and reeled. Add an R suffix to the device type (i.e., TPS54380PWPR). See the application section of the data sheet for PowerPAD drawing and layout information.

ABSOLUTE MAXIMUM RATINGS

over operating free-air temperature range unless otherwise noted⁽¹⁾

| | | TPS54380 | UNIT |
|--|----------------------|--------------------|------|
| Input voltage range, V _I | VIN, ENA | -0.3 V to 7 V | V |
| | RT | -0.3 V to 6 V | |
| | VSENSE, TRACKIN | -0.3 V to 4V | |
| | BOOT | -0.3 V to 17 V | |
| Output voltage range, V _O | VBIAS, COMP, PWRGD | -0.3 V to 7 V | V |
| | PH | -0.6 V to 10 V | |
| Source current, I _O | PH | Internally Limited | |
| | COMP, VBIAS | 6 | mA |
| Sink current, I _S | PH | 6 | A |
| | COMP | 6 | mA |
| | ENA, PWRGD | 10 | |
| | Voltage differential | AGND to PGND | |
| Operating virtual junction temperature range, T _J | | -40 to 125 | °C |
| Storage temperature, T _{stg} | | -65 to 150 | °C |
| Lead temperature 1,6 mm (1/16 inch) from case for 10 seconds | | 300 | °C |

(1) Stresses beyond those listed under “absolute maximum ratings” may cause permanent damage to the device. These are stress ratings only, and functional operation of the device at these or any other conditions beyond those indicated under “recommended operating conditions” is not implied. Exposure to absolute-maximum-rated conditions for extended periods may affect device reliability.

RECOMMENDED OPERATING CONDITIONS

| | MIN | NOM | MAX | UNIT |
|--|-----|-----|-----|------|
| Input voltage, V _I | 3 | | 6 | V |
| Operating junction temperature, T _J | -40 | | 125 | °C |

DISSIPATION RATINGS⁽¹⁾⁽²⁾

| PACKAGE | THERMAL IMPEDANCE JUNCTION-TO-AMBIENT | T _A = 25°C POWER RATING | T _A = 70°C POWER RATING | T _A = 85°C POWER RATING |
|---------------------------|--|---------------------------------------|---------------------------------------|---------------------------------------|
| 20 Pin PWP with solder | 26 °C/W | 3.85 W ⁽³⁾ | 2.12 W | 1.54 W |
| 20 Pin PWP without solder | 57.5 °C/W | 1.73 W | 0.96 W | 0.69 W |

(1) For more information on the PWP package, refer to TI technical brief, literature number SLMA002.

(2) Test board conditions:

1. 3" x 3", 2 layers, thickness: 0.062"
2. 1.5 oz. copper traces located on the top of the PCB
3. 1.5 oz. copper ground plane on the bottom of the PCB
4. 10 thermal vias (see “Recommended Land Pattern” in applications section of this data sheet)

(3) Maximum power dissipation may be limited by over current protection.

ELECTRICAL CHARACTERISTICS

over operating free-air temperature range unless otherwise noted

| PARAMETER | | TEST CONDITIONS | MIN | TYP | MAX | UNIT |
|---|-------------------|--|-------|-------|-------|------|
| SUPPLY VOLTAGE, VIN | | | | | | |
| Input voltage range, VIN | | | 3.0 | | 6.0 | V |
| I _(Q) | Quiescent current | f _S = 350 kHz, RT open, PH pin open | | 6.2 | 9.6 | mA |
| | | f _S = 500 kHz, RT = 100 kΩ, PH pin open | | 8.4 | 12.8 | |
| | | Shutdown, ENA = 0 V | | 1 | 1.4 | |
| UNDER VOLTAGE LOCK OUT | | | | | | |
| Start threshold voltage, UVLO | | | | 2.95 | 3.0 | V |
| Stop threshold voltage, UVLO | | | 2.70 | 2.80 | | V |
| Hysteresis voltage, UVLO | | | 0.14 | 0.16 | | V |
| Rising and falling edge deglitch, UVLO ⁽¹⁾ | | | | 2.5 | | μs |
| BIAS VOLTAGE | | | | | | |
| Output voltage, VBIAS | | I(VBIAS) = 0 | 2.70 | 2.80 | 2.90 | V |
| Output current, VBIAS ⁽²⁾ | | | | | 100 | μA |
| CUMULATIVE REFERENCE | | | | | | |
| V _{ref} | Accuracy | | 0.882 | 0.891 | 0.900 | V |
| REGULATION | | | | | | |
| Line regulation ⁽¹⁾⁽³⁾ | | I _L = 1.5 A, f _S = 350 kHz, T _J = 85°C | | | 0.07 | %V |
| | | I _L = 1.5 A, f _S = 550 kHz, T _J = 85°C | | | 0.07 | |
| Load regulation ⁽¹⁾⁽³⁾ | | I _L = 0 A to 3 A, f _S = 350 kHz, T _J = 85°C | | | 0.03 | %A |
| | | I _L = 0 A to 3 A, f _S = 550 kHz, T _J = 85°C | | | 0.03 | |
| OSCILLATOR | | | | | | |
| Internally set—free running frequency | | RT open | 280 | 350 | 420 | kHz |
| Externally set—free running frequency range | | RT = 180 kΩ (1% resistor to AGND) ⁽¹⁾ | 252 | 280 | 308 | kHz |
| | | RT = 100 kΩ (1% resistor to AGND) | 460 | 500 | 540 | |
| | | RT = 68 kΩ (1% resistor to AGND) ⁽¹⁾ | 663 | 700 | 762 | |
| Ramp valley ⁽¹⁾ | | | | 0.75 | | V |
| Ramp amplitude (peak-to-peak) ⁽¹⁾ | | | | 1 | | V |
| Minimum controllable on time ⁽¹⁾ | | | | | 200 | ns |
| Maximum duty cycle | | | 90% | | | |

(1) Specified by design

(2) Static resistive loads only

(3) Specified by the circuit used in Figure 10

TPS54380

SLVS454A – JANUARY 2003 – REVISED JUNE 2003

ELECTRICAL CHARACTERISTICS (continued)

over operating free-air temperature range unless otherwise noted

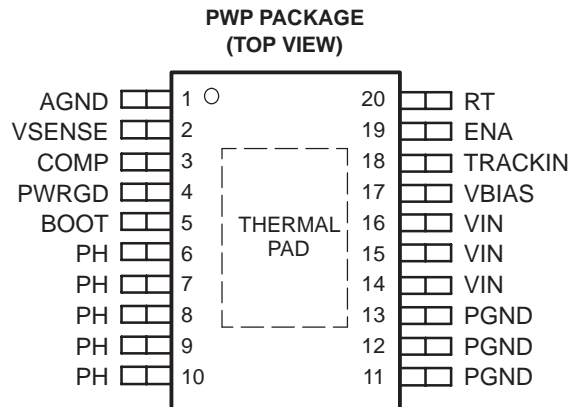
| PARAMETER | TEST CONDITIONS | MIN | TYP | MAX | UNIT |
|--|--|------|------|------------------|-------------------|
| ERROR AMPLIFIER | | | | | |
| Error amplifier open loop voltage gain | 1 kΩ COMP to AGND ⁽¹⁾ | 90 | 110 | | dB |
| Error amplifier unity gain bandwidth | Parallel 10 kΩ, 160 pF COMP to AGND ⁽¹⁾ | 3 | 5 | | MHz |
| Error amplifier common mode input voltage range | Powered by internal LDO ⁽¹⁾ | 0 | | VBIAS | V |
| Input bias current, VSENSE | VSENSE = V _{ref} | | 60 | 250 | nA |
| Output voltage slew rate (symmetric), COMP ⁽¹⁾ | | 1.0 | 1.4 | | V/μs |
| PWM COMPARATOR | | | | | |
| PWM comparator propagation delay time, PWM comparator input to PH pin (excluding deadtime) | 10-mV overdrive ⁽¹⁾ | | 70 | 85 | ns |
| ENABLE | | | | | |
| Enable threshold voltage, ENA | | 0.82 | 1.20 | 1.40 | V |
| Enable hysteresis voltage, ENA | | | 0.03 | | V |
| Falling edge deglitch, ENA ⁽¹⁾ | | | 2.5 | | μs |
| Leakage current, ENA | V _I = 5.5 V | | | 1 | μA |
| POWER GOOD | | | | | |
| Power good threshold voltage | VSENSE falling | | 90 | | %V _{ref} |
| Power good hysteresis voltage ⁽¹⁾ | | | 3 | | %V _{ref} |
| Power good falling edge deglitch ⁽¹⁾ | | | 35 | | μs |
| Output saturation voltage, PWRGD | I _(sink) = 2.5 mA | | 0.18 | 0.3 | V |
| Leakage current, PWRGD | V _I = 5.5 V | | | 1 | μA |
| CURRENT LIMIT | | | | | |
| Current limit trip point | V _I = 3 V Output shorted ⁽¹⁾ | 4 | 6.5 | | A |
| | V _I = 6 V Output shorted ⁽¹⁾ | 4.5 | 7.5 | | |
| Current limit leading edge blanking time ⁽¹⁾ | | | 100 | | ns |
| Current limit total response time ⁽¹⁾ | | | 200 | | ns |
| THERMAL SHUTDOWN | | | | | |
| Thermal shutdown trip point ⁽¹⁾ | | 135 | 150 | 165 | °C |
| Thermal shutdown hysteresis ⁽¹⁾ | | | 10 | | °C |
| OUTPUT POWER MOSFETS | | | | | |
| r _{DS(on)} Power MOSFET switches | V _I = 6 V ⁽⁴⁾ | | 59 | 88 | mΩ |
| | V _I = 3 V ⁽⁴⁾ | | 85 | 136 | |
| TRACKIN | | | | | |
| Input offset, TRACKIN | VSENSE = TRACKIN = 1.25 V ⁽¹⁾ | -1.5 | | 1.5 | mV |
| Input voltage range, TRACKIN | See Note 1 | 0 | | V _{ref} | V |

(1) Specified by design

(2) Static resistive loads only

(3) Specified by the circuit used in Figure 10

 (4) Matched MOSFETs low-side r_{DS(on)} production tested, high-side r_{DS(on)} specified by design



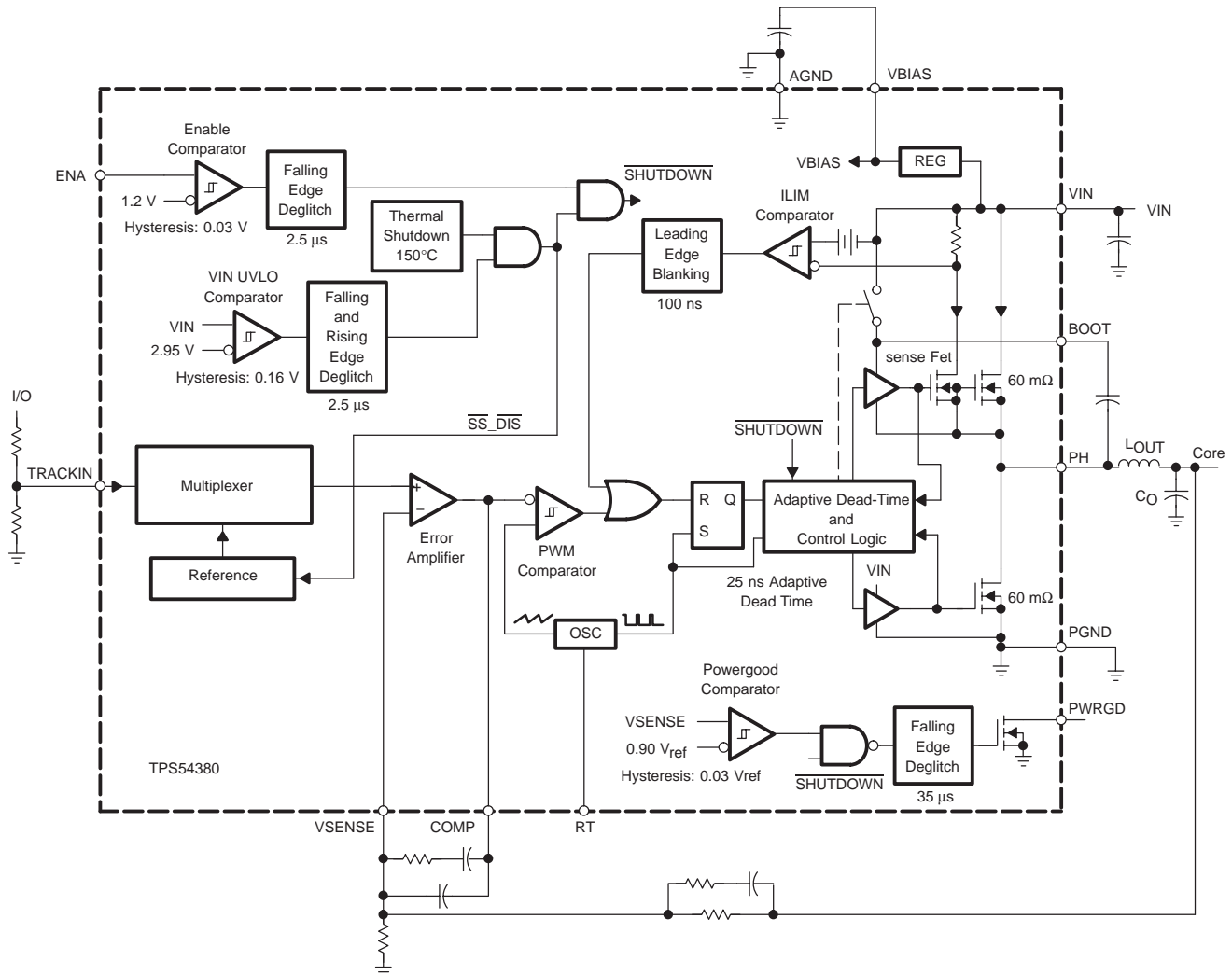
TERMINAL FUNCTIONS

| TERMINAL NAME | NO. | DESCRIPTION |
|---------------|-------|---|
| AGND | 1 | Analog ground. Return for compensation network/output divider, slow-start capacitor, VBIAS capacitor, RT resistor. Connect PowerPAD to AGND. |
| BOOT | 5 | Bootstrap output. 0.022- μ F to 0.1- μ F low-ESR capacitor connected from BOOT to PH generates floating drive for the high-side FET driver. |
| COMP | 3 | Error amplifier output. Connect frequency compensation network from COMP to VSENSE |
| ENA | 19 | Enable input. Logic high enables oscillator, PWM control and MOSFET driver circuits. Logic low disables operation and places device in low quiescent current state. |
| PGND | 11–13 | Power ground. High current return for the low-side driver and power MOSFET. Connect PGND with large copper areas to the input and output supply returns, and negative terminals of the input and output capacitors. A single point connection to AGND is recommended. |
| PH | 6–10 | Phase output. Junction of the internal high-side and low-side power MOSFETs, and output inductor. |
| PWRGD | 4 | Power good open drain output. High when VSENSE \geq 90% V_{ref} , otherwise PWRGD is low. |
| RT | 20 | Frequency setting resistor input. Connect a resistor from RT to AGND to set the switching frequency. |
| TRACKIN | 18 | External reference input. High impedance input to internal reference/multiplexer and error amplifier circuits. |
| VBIAS | 17 | Internal bias regulator output. Supplies regulated voltage to internal circuitry. Bypass VBIAS pin to AGND pin with a high quality, low-ESR 0.1- μ F to 1.0- μ F ceramic capacitor. |
| VIN | 14–16 | Input supply for the power MOSFET switches and internal bias regulator. Bypass VIN pins to PGND pins close to device package with a high quality, low-ESR 10- μ F ceramic capacitor. |
| VSENSE | 2 | Error amplifier inverting input. Connect to output voltage through compensation network/output divider. |

TPS54380

SLVS454A – JANUARY 2003 – REVISED JUNE 2003

INTERNAL BLOCK DIAGRAM



TYPICAL CHARACTERISTICS

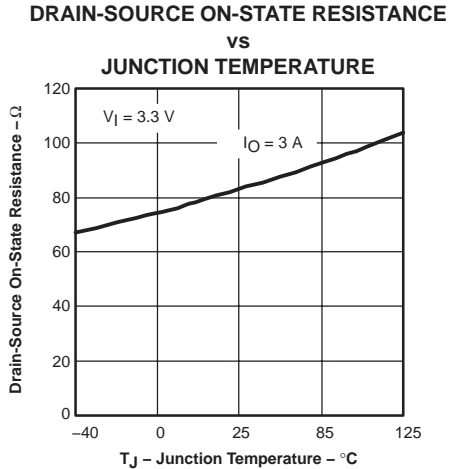


Figure 1

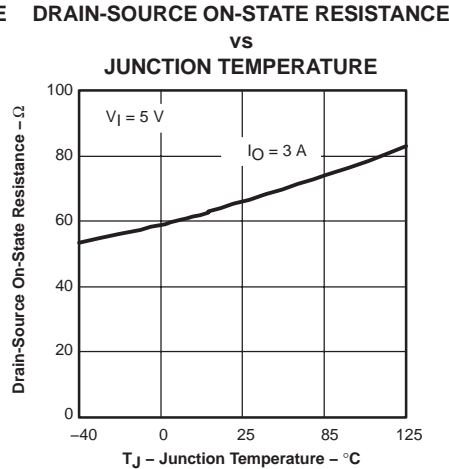


Figure 2

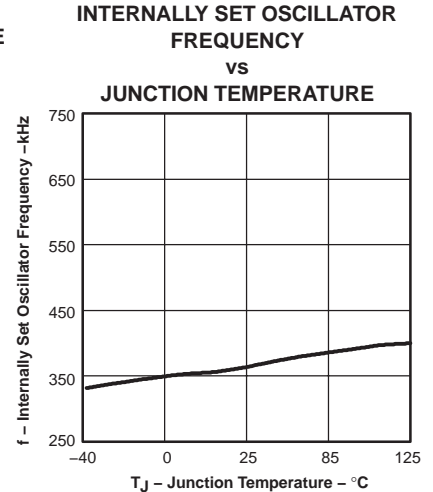


Figure 3

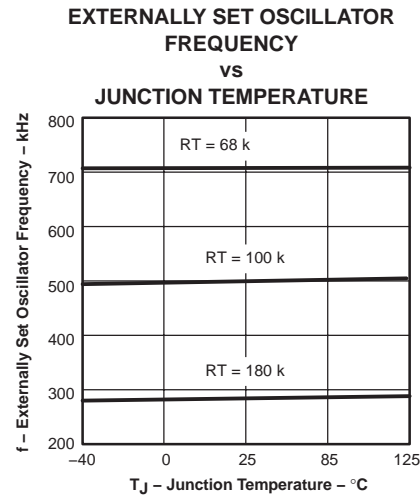


Figure 4

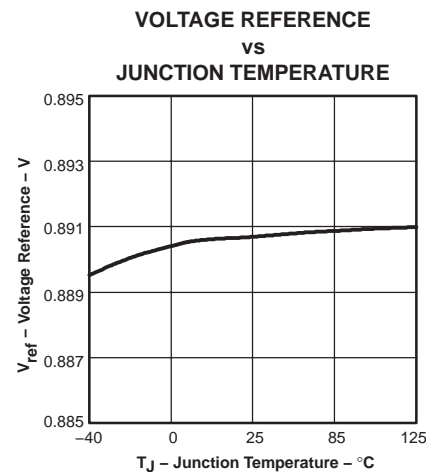


Figure 5

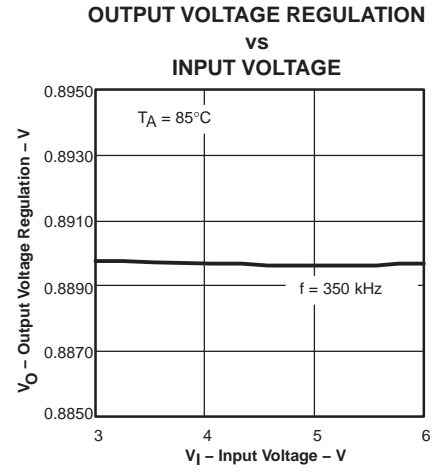


Figure 6

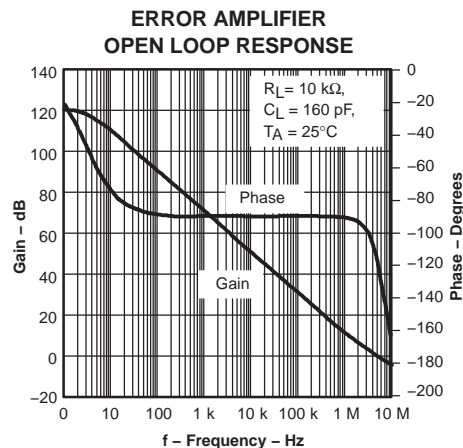


Figure 7

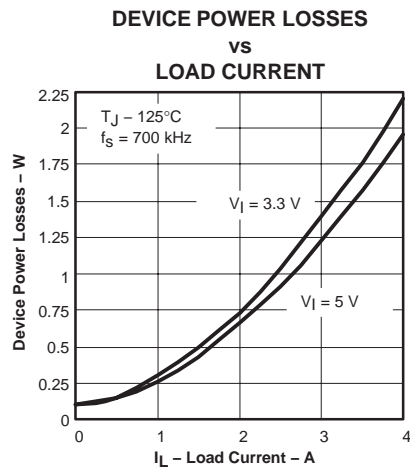


Figure 8

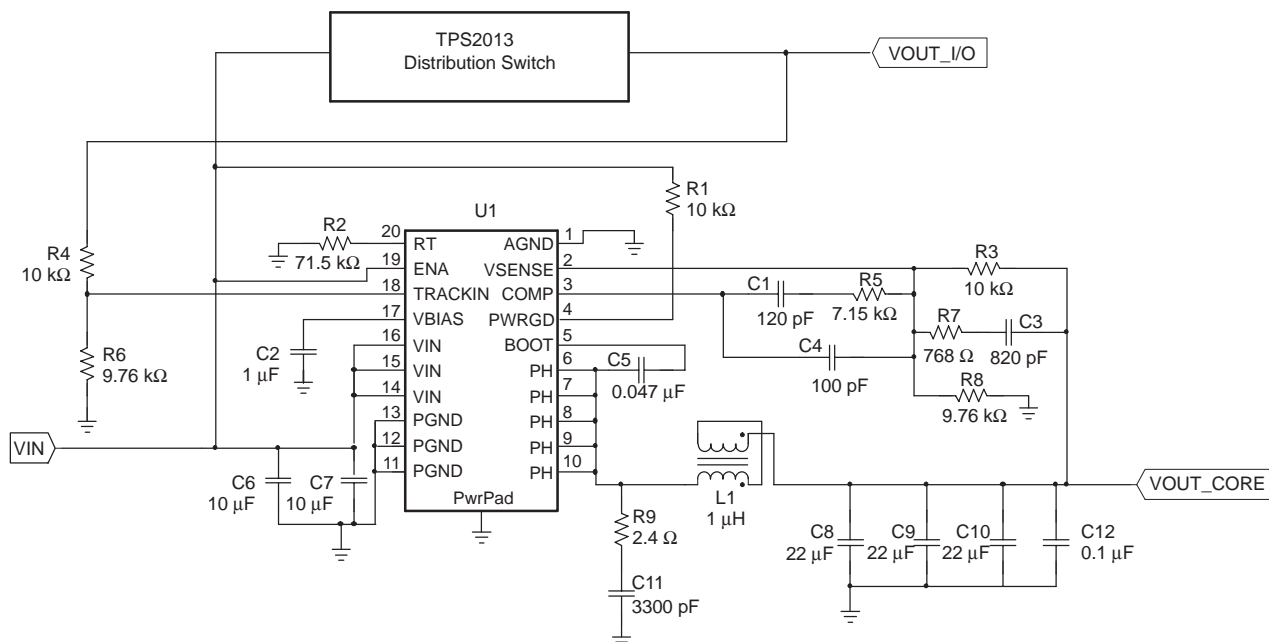
TPS54380

SLVS454A – JANUARY 2003 – REVISED JUNE 2003

APPLICATION INFORMATION

Figure 9 shows the schematic diagram for a typical TPS54380 application. The TPS54380 (U1) can provide greater than 3 A of output current at a nominal output voltage of 1.8 V. For proper thermal performance, the exposed thermal PowerPAD underneath the integrated circuit package must be soldered to the printed-circuit

board. To provide power up tracking, the enable of the I/O supply should be used. If the I/O enable is not used to power up, then devices with similar undervoltage lockout thresholds need to be implemented to ensure power up tracking. To ensure power down tracking, the enable pin must be used.



Analog and Power Grounds are Tied at the Power Pad Under the Package of IC

Figure 9. Application Circuit

COMPONENT SELECTION

The values for the components used in this design example were selected for low output ripple voltage and small PCB area. Additional design information is available at www.ti.com.

INPUT FILTER

The input voltage is a nominal 5 Vdc. The input filter C6 is a 10-μF ceramic capacitor (Taiyo Yuden). C7 also a 10-μF ceramic capacitor (Taiyo Yuden) provides high frequency decoupling of the TPS54380 from the input supply and must be located as close as possible to the device. Ripple current is carried in both C6 and C7, and the return path to PGND must avoid the current circulating in the output capacitors C8, C9, and C10.

FEEDBACK CIRCUIT

The values for these components have been selected to provide low output ripple voltage. The resistor divider network of R3 and R8 sets the output voltage for the circuit

at 1.8 V. R3, along with R7, R5, C1, C3, and C4 form the loop compensation network for the circuit. For this design, a Type 3 topology is used.

OPERATING FREQUENCY

In the application circuit, the 350 kHz operation is selected by leaving RT open. Connecting a 180 kΩ to 68 kΩ resistor between RT (pin 20) and analog ground can be used to set the switching frequency to 280 kHz to 700 kHz. To calculate the RT resistor, use the equation below:

$$R = \frac{500 \text{ kHz}}{\text{Switching Frequency}} \times 100 \text{ [k}\Omega\text{]} \quad (1)$$

OUTPUT FILTER

The output filter is composed of a 1-μH inductor and 3 x 22-μF capacitor. The inductor is a low dc resistance (0.010 Ω) type, Vishay 1HLP2525CZ01. The capacitors used are 22-μF, 6.3 V ceramic types with X5R dielectric. An additional high frequency bypass capacitor, C12, is also used. The feedback loop is compensated so that the unity gain frequency is approximately 50 kHz.

GROUNDING AND POWERPAD LAYOUT

The TPS54380 has two internal grounds (analog and power). Inside the TPS54380, the analog ground ties to all of the noise sensitive signals, while the power ground ties to the noisier power signals. The PowerPAD must be tied directly to AGND. Noise injected between the two grounds can degrade the performance of the TPS54380, particularly at higher output currents. However, ground noise on an analog ground plane can also cause problems with some of the control and bias signals. Therefore, separate analog and power ground planes are recommended. These two planes must tie together directly at the IC to reduce noise between the two grounds. The only components that must tie directly to the power ground plane are the input capacitor, the output capacitor, the input voltage decoupling capacitor, and the PGND pins of the TPS54380. The layout of the TPS54380 evaluation module is representative of a recommended layout for a 4-layer board. Documentation for the TPS54380 evaluation module can be found on the Texas Instruments web site under the TPS54380 product folder. See the TPS54380 EVM user's guide.

LAYOUT CONSIDERATIONS FOR THERMAL PERFORMANCE

For operation at full rated load current, the analog ground plane must provide an adequate heat dissipating area. A 3-inch by 3-inch plane of 1 ounce copper is recommended, though not mandatory, depending on ambient temperature and airflow. Most applications have larger areas of internal ground plane available, and the PowerPAD must be connected to the largest area available. Additional areas on the top or bottom layers also help dissipate heat, and any area available must be used when 3 A or greater operation is desired. Connection from the exposed area of the PowerPAD to the analog ground plane layer must be made using 0.013 inch diameter vias to avoid solder wicking through the vias. Six vias must be in the PowerPAD area with four additional vias located under the device package. The size of the vias under the package, but not in the exposed thermal pad area, can be increased to 0.018. Additional vias beyond the twelve recommended that enhance thermal performance must be included in areas not under the device package.

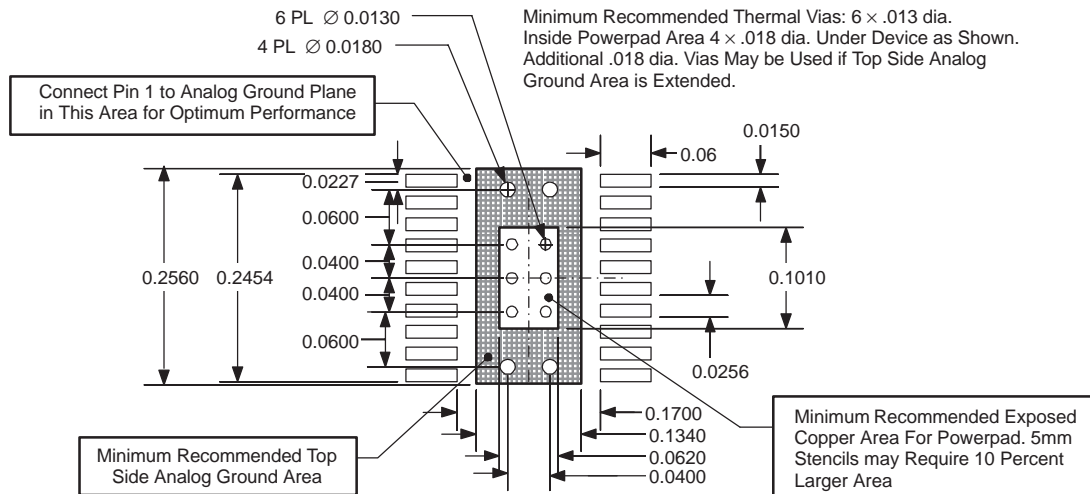


Figure 10. Recommended Land Pattern for 20-Pin PWP PowerPAD

TPS54380

SLVS454A – JANUARY 2003 – REVISED JUNE 2003

PERFORMANCE GRAPHS

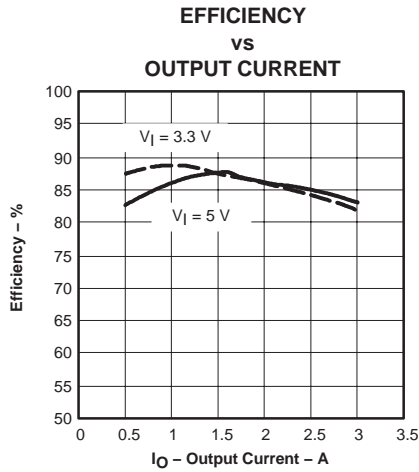


Figure 11

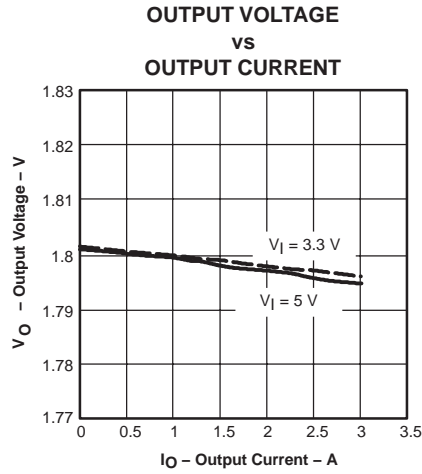


Figure 12

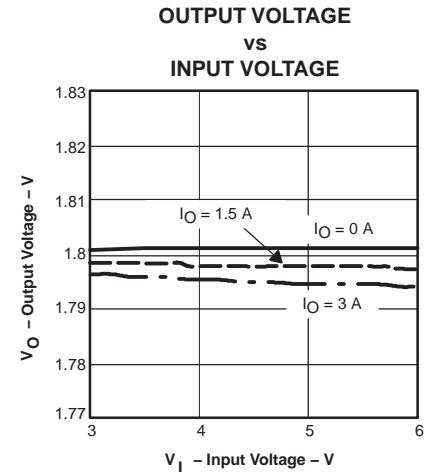


Figure 13

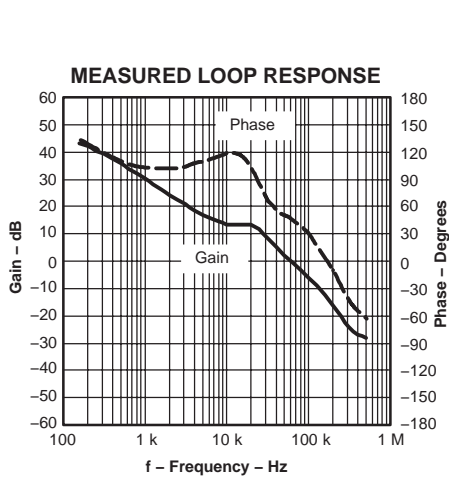


Figure 14

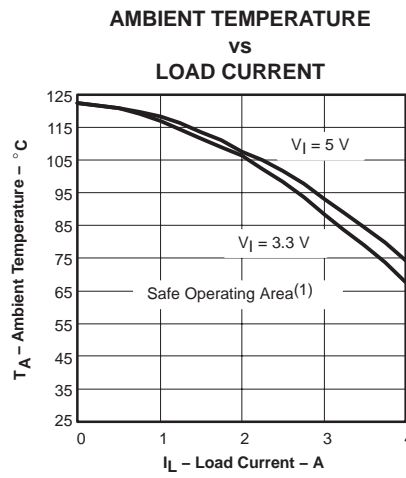


Figure 15

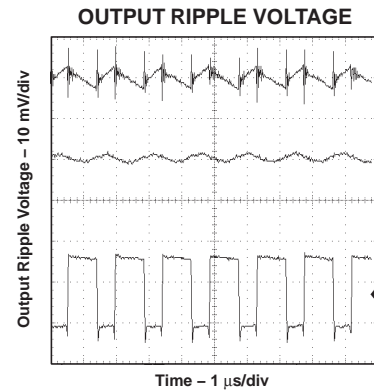


Figure 16

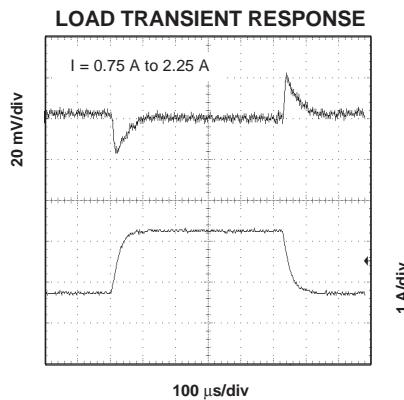


Figure 17

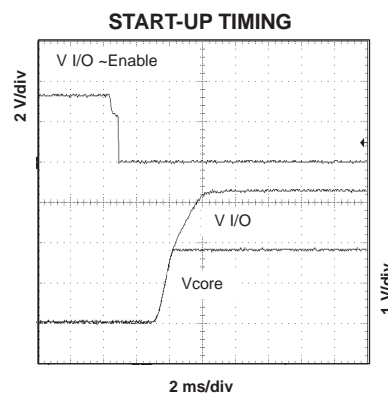


Figure 18

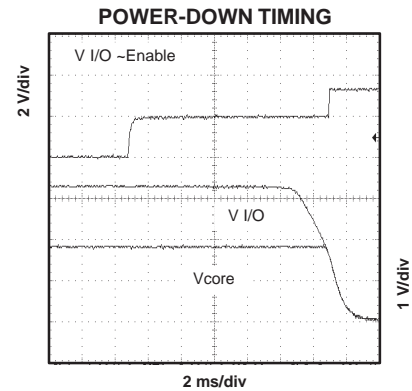


Figure 19

(1) Safe operating area is applicable to the test board conditions in the Dissipation Ratings

DETAILED DESCRIPTION

UNDERVOLTAGE LOCK OUT (UVLO)

The TPS54380 incorporates an undervoltage lockout circuit to keep the device disabled when the input voltage (VIN) is insufficient. During power up, internal circuits are held inactive until VIN exceeds the nominal UVLO threshold voltage of 2.95 V. Once the UVLO start threshold is reached, device start-up begins. The device operates until VIN falls below the nominal UVLO stop threshold of 2.8 V. Hysteresis in the UVLO comparator, and a 2.5-μs rising and falling edge deglitch circuit reduce the likelihood of shutting the device down due to noise on VIN.

TRACKIN/INTERNAL SLOW-START

The internal slow-start circuit provides start-up slope control of the output voltage. The nominal internal slow-start rate is 25 V/ms. When the voltage on TRACKIN rises faster than the internal slope or is present when device operation is enabled, the output rises at the internal rate. If the reference voltage on TRACKIN rises more slowly, then the output rises at about the same rate as TRACKIN.

Once the voltage on the TRACKIN pin is greater than the internal reference of 0.891 V, the multiplexer switches the noninverting node to the high precision reference.

ENABLE (ENA)

The enable pin, ENA, provides a digital control enable or disable (shut down) for the TPS54380. An input voltage of 1.4 V or greater ensures that the TPS54380 is enabled. An input of 0.82 V or less ensures that device operation is disabled. These are not standard logic thresholds, even though they are compatible with TTL outputs.

When ENA is low, the oscillator, slow-start, PWM control and MOSFET drivers are disabled and held in an initial state ready for device start-up. On an ENA transition from low to high, device start-up begins with the output starting from 0 V.

VBIAS REGULATOR (VBIAS)

The VBIAS regulator provides internal analog and digital blocks with a stable supply voltage over variations in junction temperature and input voltage. A high quality, low-ESR, ceramic bypass capacitor is required on the VBIAS pin. X7R or X5R grade dielectrics are recommended because their values are more stable over temperature. The bypass capacitor must be placed close to the VBIAS pin and returned to AGND.

External loading on VBIAS is allowed, with the caution that internal circuits require a minimum VBIAS of 2.70 V, and external loads on VBIAS with ac or digital switching noise may degrade performance. The VBIAS pin may be useful as a reference voltage for external circuits.

VOLTAGE REFERENCE

The voltage reference system produces a precise V_{ref} signal by scaling the output of a temperature stable bandgap circuit. During manufacture, the bandgap and scaling circuits are trimmed to produce 0.891 V at the output of the error amplifier, with the amplifier connected as a voltage follower. The trim procedure adds to the high precision regulation of the TPS54380, since it cancels offset errors in the scale and error amplifier circuits.

OSCILLATOR AND PWM RAMP

The oscillator frequency is set internally to 350 kHz. If a different frequency of operation is required for the application, the oscillator frequency can be externally adjusted from 280 to 700 kHz by connecting a resistor between the RT pin and AGND. The switching frequency is approximated by the following equation, where R is the resistance from RT to AGND:

$$\text{Switching Frequency} = \frac{100 \text{ k}\Omega}{R} \times 500 \text{ [kHz]} \quad (2)$$

| SWITCHING FREQUENCY | RT PIN |
|-----------------------------------|---------------------|
| 350 kHz, internally set | Float |
| Externally set 280 kHz to 700 kHz | R = 180 kΩ to 68 kΩ |

ERROR AMPLIFIER

The high performance, wide bandwidth, voltage error amplifier sets the TPS54380 apart from most dc/dc converters. The user is given the flexibility to use a wide range of output L and C filter components to suit the particular application needs. Type 2 or type 3 compensation can be employed using external compensation components.

PWM CONTROL

Signals from the error amplifier output, oscillator, and current limit circuit are processed by the PWM control logic. Referring to the internal block diagram, the control logic includes the PWM comparator, OR gate, PWM latch, and portions of the adaptive dead-time and control logic block. During steady-state operation below the current limit threshold, the PWM comparator output and oscillator pulse train alternately reset and set the PWM latch. Once the PWM latch is reset, the low-side FET remains on for a minimum duration set by the oscillator pulse width. During this period, the PWM ramp discharges rapidly to its valley voltage. When the ramp begins to charge back up, the low-side FET turns off and high-side FET turns on. As the PWM ramp voltage exceeds the error amplifier output voltage, the PWM comparator resets the latch, thus turning off the high-side FET and turning on the low-side FET. The low-side FET remains on until the next oscillator pulse discharges the PWM ramp.

During transient conditions, the error amplifier output could be below the PWM ramp valley voltage or above the PWM peak voltage. If the error amplifier is high, the PWM latch is never reset, and the high-side FET remains on until

TPS54380

SLVS454A – JANUARY 2003 – REVISED JUNE 2003

the oscillator pulse signals the control logic to turn the high-side FET off and the low-side FET on. The device operates at its maximum duty cycle until the output voltage rises to the regulation set-point, setting VSENSE to approximately the same voltage as VREF. If the error amplifier output is low, the PWM latch is continually reset and the high-side FET does not turn on. The low-side FET remains on until the VSENSE voltage decreases to a range that allows the PWM comparator to change states. The TPS54380 is capable of sinking current continuously until the output reaches the regulation set-point.

If the current limit comparator trips for longer than 100 ns, the PWM latch resets before the PWM ramp exceeds the error amplifier output. The high-side FET turns off and low-side FET turns on to decrease the energy in the output inductor and consequently the output current. This process is repeated each cycle in which the current limit comparator is tripped.

DEAD-TIME CONTROL AND MOSFET DRIVERS

Adaptive dead-time control prevents shoot-through current from flowing in both N-channel power MOSFETs during the switching transitions by actively controlling the turnon times of the MOSFET drivers. The high-side driver does not turn on until the voltage at the gate of the low-side FET is below 2 V. While the low-side driver does not turn on until the voltage at the gate of the high-side MOSFET is below 2 V.

The high-side and low-side drivers are designed with 300-mA source and sink capability to quickly drive the power MOSFETs gates. The low-side driver is supplied from VIN, while the high-side drive is supplied from the BOOT pin. A bootstrap circuit uses an external BOOT capacitor and an internal 2.5-Ω bootstrap switch connected between the VIN and BOOT pins. The integrated bootstrap switch improves drive efficiency and reduces external component count.

OVERCURRENT PROTECTION

The cycle-by-cycle current limiting is achieved by sensing the current flowing through the high-side MOSFET and comparing this signal to a preset overcurrent threshold. The high side MOSFET is turned off within 200 ns of reaching the current limit threshold. A 100-ns leading edge blanking circuit prevents the current limit from false tripping. Current limit detection occurs only when current flows from VIN to PH when sourcing current to the output filter. Load protection during current sink operation is provided by thermal shutdown.

THERMAL SHUTDOWN

The device uses the thermal shutdown to turn off the power MOSFETs and disable the controller if the junction temperature exceeds 150°C. The device is released from shutdown automatically when the junction temperature decreases to 10°C below the thermal shutdown trip point, and starts up under control of the slow-start circuit.

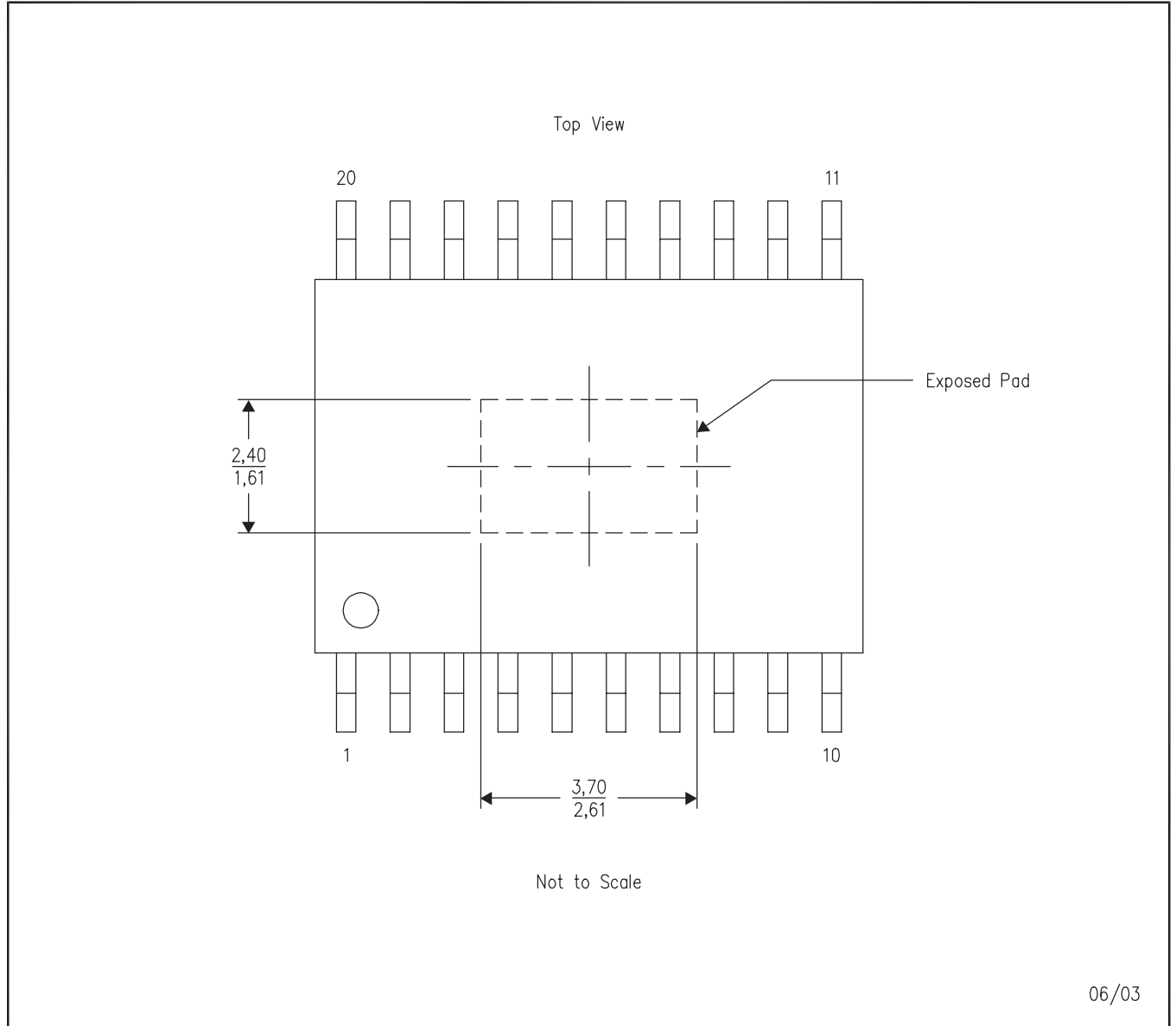
Thermal shutdown provides protection when an overload condition is sustained for several milliseconds. With a persistent fault condition, the device cycles continuously; starting up by control of the soft-start circuit, heating up due to the fault condition, and then shutting down upon reaching the thermal shutdown trip point. This sequence repeats until the fault condition is removed.

POWER-GOOD (PWRGD)

The power good circuit monitors for under voltage conditions on VSENSE. If the voltage on VSENSE is 10% below the reference voltage, the open-drain PWRGD output is pulled low. PWRGD is also pulled low if VIN is less than the UVLO threshold or ENA is low, or a thermal shutdown occurs. When $V_{IN} \geq UVLO$ threshold, $ENA \geq$ enable threshold, and $V_{SENSE} > 90\%$ of V_{ref} , the open drain output of the PWRGD pin is high. A hysteresis voltage equal to 3% of V_{ref} and a 35 μs falling edge deglitch circuit prevent tripping of the power good comparator due to high frequency noise.

PWP (R-PDSO-G20)

PowerPAD™ PLASTIC SMALL-OUTLINE

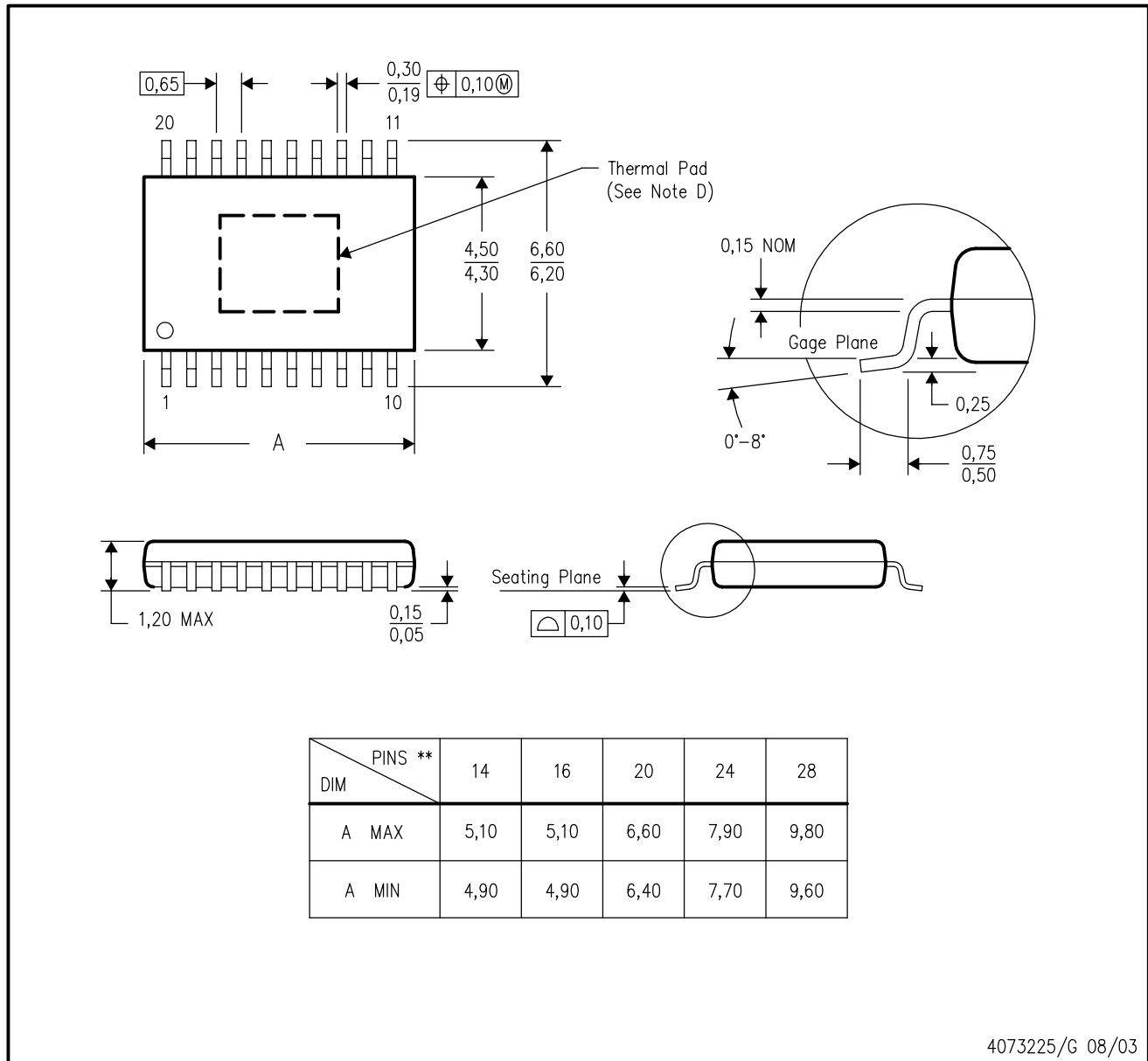


- NOTES:
- A. All linear dimensions are in millimeters.
 - B. This drawing is subject to change without notice.
 - C. For additional information on the PowerPAD™ package and how to take advantage of its heat dissipating abilities, refer to Technical Brief, **PowerPAD Thermally Enhanced Package**, Texas Instruments Literature No. SLMA002 and Application Brief, **PowerPAD Made Easy**, Texas Instruments Literature No. SLMA004. Both documents are available at www.ti.com.

MECHANICAL DATA

PWP (R-PDSO-G**) PowerPAD™ PLASTIC SMALL-OUTLINE PACKAGE

20 PIN SHOWN



- NOTES:
- All linear dimensions are in millimeters.
 - This drawing is subject to change without notice.
 - Body dimensions do not include mold flash or protrusions.
 - This package is designed to be soldered to a thermal pad on the board. Refer to Technical Brief, PowerPAD Thermally Enhanced Package, Texas Instruments Literature No. SLMA002 for information regarding recommended board layout. This document is available at www.ti.com <<http://www.ti.com>>.
 - Falls within JEDEC MO-153

PowerPAD is a trademark of Texas Instruments.

IMPORTANT NOTICE

Texas Instruments Incorporated and its subsidiaries (TI) reserve the right to make corrections, modifications, enhancements, improvements, and other changes to its products and services at any time and to discontinue any product or service without notice. Customers should obtain the latest relevant information before placing orders and should verify that such information is current and complete. All products are sold subject to TI's terms and conditions of sale supplied at the time of order acknowledgment.

TI warrants performance of its hardware products to the specifications applicable at the time of sale in accordance with TI's standard warranty. Testing and other quality control techniques are used to the extent TI deems necessary to support this warranty. Except where mandated by government requirements, testing of all parameters of each product is not necessarily performed.

TI assumes no liability for applications assistance or customer product design. Customers are responsible for their products and applications using TI components. To minimize the risks associated with customer products and applications, customers should provide adequate design and operating safeguards.

TI does not warrant or represent that any license, either express or implied, is granted under any TI patent right, copyright, mask work right, or other TI intellectual property right relating to any combination, machine, or process in which TI products or services are used. Information published by TI regarding third-party products or services does not constitute a license from TI to use such products or services or a warranty or endorsement thereof. Use of such information may require a license from a third party under the patents or other intellectual property of the third party, or a license from TI under the patents or other intellectual property of TI.

Reproduction of information in TI data books or data sheets is permissible only if reproduction is without alteration and is accompanied by all associated warranties, conditions, limitations, and notices. Reproduction of this information with alteration is an unfair and deceptive business practice. TI is not responsible or liable for such altered documentation.

Resale of TI products or services with statements different from or beyond the parameters stated by TI for that product or service voids all express and any implied warranties for the associated TI product or service and is an unfair and deceptive business practice. TI is not responsible or liable for any such statements.

Following are URLs where you can obtain information on other Texas Instruments products and application solutions:

| Products | | Applications | |
|------------------|--|---------------------|--|
| Amplifiers | amplifier.ti.com | Audio | www.ti.com/audio |
| Data Converters | dataconverter.ti.com | Automotive | www.ti.com/automotive |
| DSP | dsp.ti.com | Broadband | www.ti.com/broadband |
| Interface | interface.ti.com | Digital Control | www.ti.com/digitalcontrol |
| Logic | logic.ti.com | Military | www.ti.com/military |
| Power Mgmt | power.ti.com | Optical Networking | www.ti.com/opticalnetwork |
| Microcontrollers | microcontroller.ti.com | Security | www.ti.com/security |
| | | Telephony | www.ti.com/telephony |
| | | Video & Imaging | www.ti.com/video |
| | | Wireless | www.ti.com/wireless |

Mailing Address: Texas Instruments
Post Office Box 655303 Dallas, Texas 75265