



1/8 DIN NEMA 4 Removable Cover

- *Protects 1/8 DIN indicators and controllers*
- *Dust Tight and Water Tight to NEMA 4 Standards*
- *Easy Installation*
- *Front Removable Cover, Allowing Access to the Programming Buttons of a Controller, or the Scaling Potentiometers of an Indicator*



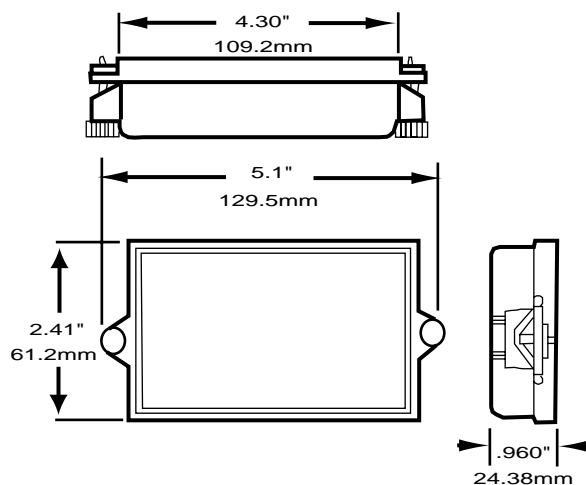
This cover protects all of Simpson's 1/8 DIN panel indicators/controllers to NEMA 4 standards. Type 4 enclosures are intended for indoor use to protect the enclosed equipment against splashing water, falling or hose directed water, severe external condensation, and are dust tight.

The cover is composed of a steel bezel with integral neoprene gaskets on each side. The lens is made of polycarbonate, and screws into the bezel and compresses the internal gasket. When properly installed, the two gaskets and steel bezel provide a water tight and dust tight seal for the panel instrument.

To install the NEMA 4 cover, separate the bezel from the removable cover. Slide the bezel on to the meter, and then install the meter into the panel cutout. This will compress the rear gasket on the bezel. The inner gasket is partially compressed by the meter bezel itself. Attach the cover to the bezel, screwing it tight to compress the inner gasket. The front seal is then water and dust tight, and the enclosure meets NEMA 4 standards.

The front cover can easily be removed by unscrewing the two side knobs. This allows easy access to programming buttons, potentiometers, or jumpers.

Dimensions & Ordering Information



Ordering Information

Catalog Number: 45003

Specifications

Lens Material:	Clear 94V-0 UL-rated polycarbonate with UV inhibitor
Gasket Material:	Closed Cell Neoprene
Bezel Material:	Steel
Bezel Finish:	Black Polyurethane
Bezel Dimensions (W x H x D):	4.3" x 2.41" x 0.28" (109.2mm x 61.2mm x 7.1mm)
Overall Dimensions (W x H x D):	4.3" x 2.41" x 0.96" (109.2mm x 61.2mm x 24.4mm)
Panel Cutout (W x H):	3.66" X 1.79" (93mm x 45.5mm)