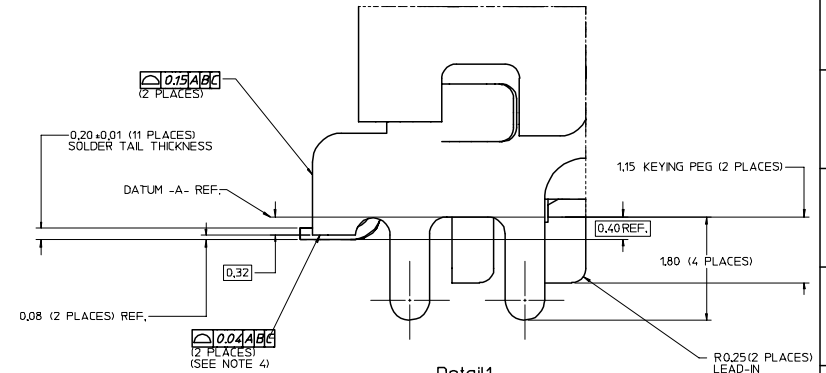
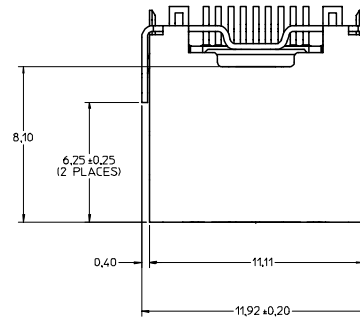
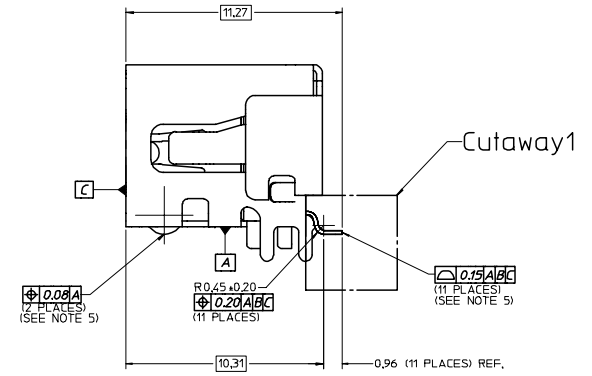
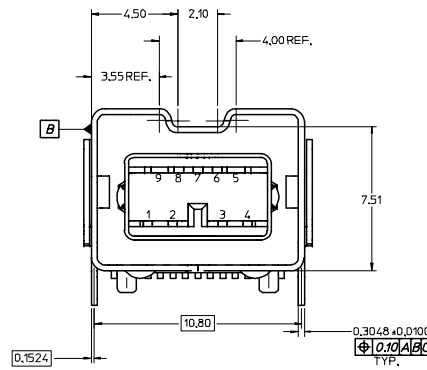
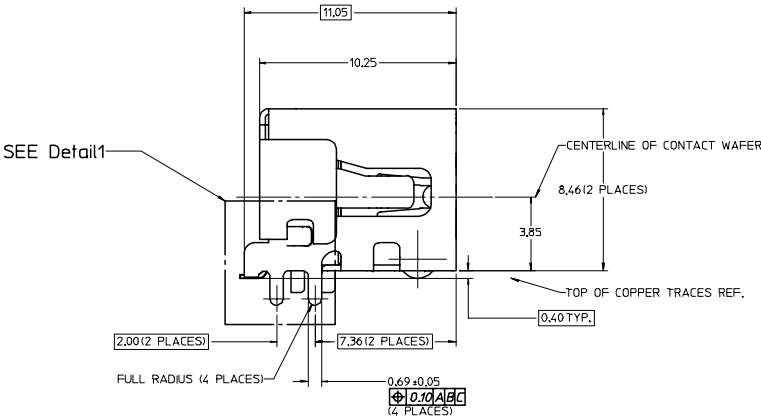


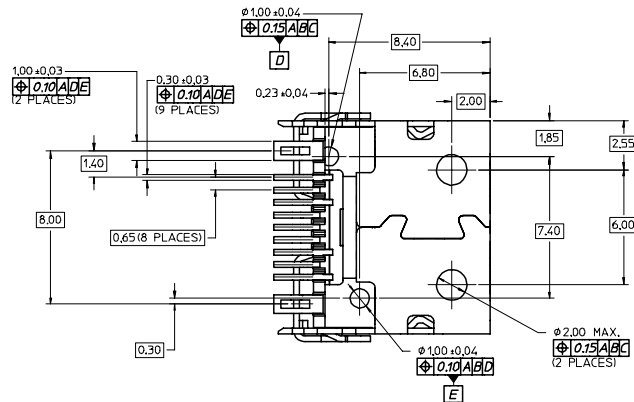
- NOTES:
- MATERIAL:
OUTER SHELL: STAINLESS STEEL
INNER SHELL: COPPER ALLOY
CONTACTS: COPPER ALLOY
PLASTIC MOLDINGS: GLASS FILLED LCP, COLOR: BLACK
 - FINISH:
*OUTER SHELL: 3,05 MICRONS MINIMUM TIN OVER 1,27 MICRONS MINIMUM NICKEL
*INNER SHELL: 3,05 MICRONS MINIMUM TIN OVER 1,27 MICRONS MINIMUM NICKEL
*CONTACTS: 0,75 MICRONS MINIMUM SELECT GOLD, AND 3,05 MICRONS MINIMUM SELECT TIN OVER 1,27 MICRONS MINIMUM NICKEL OVERALL
 - * THE PRIMARY SHIPPING CARTON WILL BE LABELED "COMPLIANT TO RoHS DIRECTIVE 2002/95/EC AND ELV ANNEX II OF DIRECTIVE 2000/53/EC CARTONS WITHOUT THIS LABEL MAY CONTAIN PRODUCT WITH TIN-LEAD IN THE PC TAIL AREA
 - PRODUCT SPECIFICATION: PS-45240-001
 - THIS FEATURE PROVIDES OVER-STRESS PROTECTION FOR THE SOLDER TAILS, AND MAY PROVIDE ADDITIONAL SOLDER POINT.
 - COPLANARITY OF SOLDER POINTS - 0,10mm TOTAL.
 - THE KEYING PEGS ONLY DISTINGUISH THIS BILINGUAL SOCKET FROM A BETA SOCKET. THE KEYING PEGS AND THE FOUR THRU-HOLE SOLDER TAILS DO NOT ALIGN THE SOCKET TO THE PCB FOOTPRINT WITH SUFFICIENT PRECISION TO ASSURE CORRECT SOLDERING.
 - THE OVERHANG DEPENDS UPON THE DISTANCE OF THE FOOTPRINT FROM THE EDGE OF THE PCB. THIS 0,80mm NOMINAL OVERHANG IS FOR A 6,00mm NOMINAL DISTANCE FOR THE KEYING HOLE (REFERENCE DATUM -L-).



Detail1
SCALE 24:1



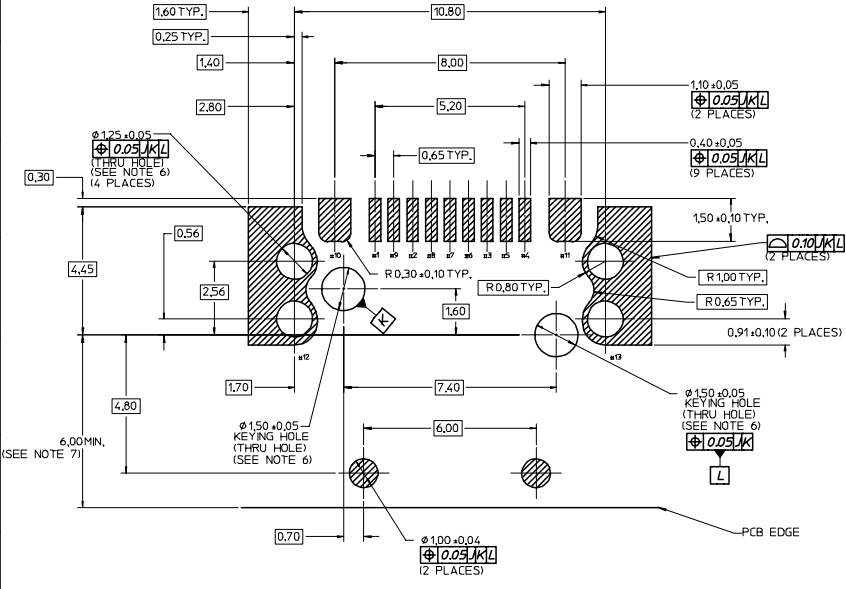
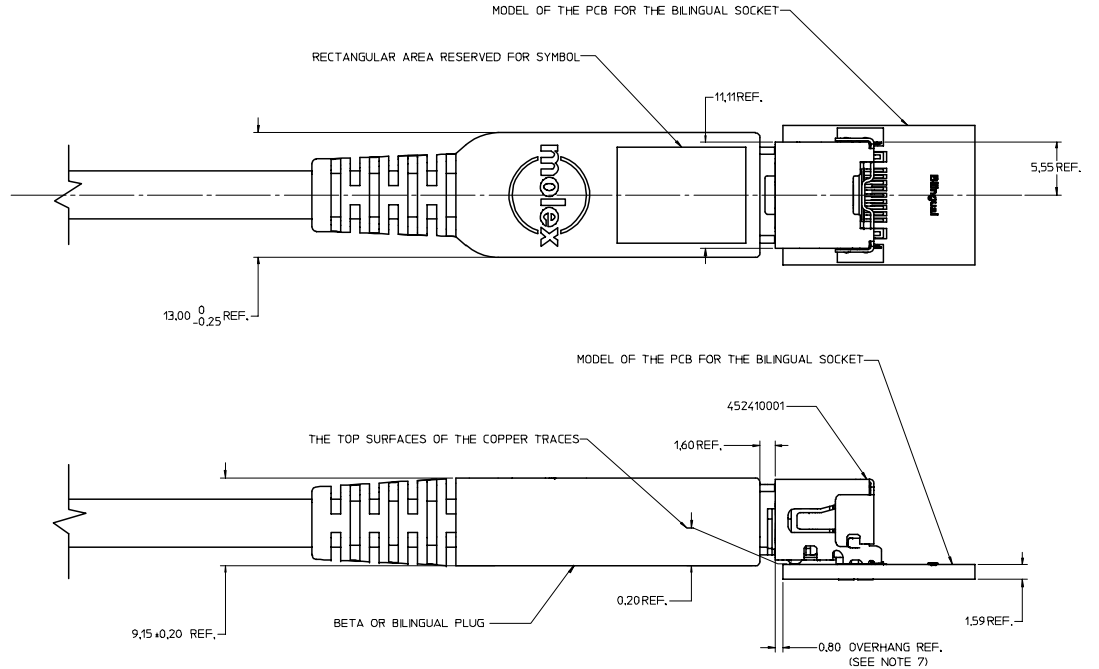
BILINGUAL



REVISED EC NO: UCP2004-1899 DPWN: KPELOZA 2004/04/05 CHKD: KPELOZA 2004/04/05 APPR: JCOMERC 2004/04/07	QUALITY SYMBOLS -0 -0	GENERAL TOLERANCES (UNLESS SPECIFIED)		SCALE 8:1	DESIGN UNITS METRIC	THIRD ANGLE PROJECTION	REVISE ON CAD ONLY
		4 PLACES ± --- ± ---	3 PLACES ± --- ± ---	2 PLACES ± 0,15 ± ---	1 PLACE ± --- ± ---	DIMENSION STYLE MM ONLY	TITLE BILINGUAL SOCKET ASS'Y RT ANGLE -- THRU HOLE
DRAFT WHERE APPLICABLE MUST REMAIN WITHIN DIMENSIONS	ANGULAR ± 1/2 °	DRAWN BY DATE		CHECKED BY DATE		APPROVED BY DATE	
		PELOZA 01/11/08		PELOZA 01/11/08		COMERC 01/11/08	
MATERIAL NO. 452410001		DOCUMENT NO. SD-45241-001		SHEET NO. 1 OF 2		MOLEX INCORPORATED	
THIS DRAWING CONTAINS INFORMATION THAT IS PROPRIETARY TO MOLEX INCORPORATED AND SHOULD NOT BE USED WITHOUT WRITTEN PERMISSION							

20 19 18 17 16 15 14 13 12 11 10 9 8 7 6 5 4 3 2 1

BILINGUAL



PCB LAYOUT -- BILINGUAL

(SCALE 12:1)

NOTE: DATUM -J- IS THE TOP SURFACES OF THE COPPER TRACES

SEE SHEET 1 EC NO: UCP2004-1899 DRWN: KPELOZA 2004/04/05 CHKD: KPELOZA 2004/04/05 APPR: JCOMERC 2004/04/07	QUALITY SYMBOLS ▽ 0 ▽ 0	GENERAL TOLERANCES (UNLESS SPECIFIED)		SCALE 4:1	DESIGN UNITS METRIC	THIRD ANGLE PROJECTION	REVISE ON CAD ONLY
		4 PLACES ± --- ± ---	3 PLACES ± --- ± ---	DIMENSION STYLE MM ONLY		TITLE BILINGUAL SOCKET ASS'Y RT ANGLE -- THRU HOLE	
		2 PLACES ± 0.15 ± ---	1 PLACE ± --- ± ---	DRAWN BY PELOZA	DATE 01/11/08	MOLEX MOLEX INCORPORATED	
		ANGULAR ± 1/2 °		CHECKED BY PELOZA	DATE 01/11/08	MATERIAL NO. 452410001	DOCUMENT NO. SD-45241-001
		DRAFT WHERE APPLICABLE MUST REMAIN WITHIN DIMENSIONS		APPROVED BY COMERC	DATE 01/11/08	SHEET NO. 2 OF 2	D
THIS DRAWING CONTAINS INFORMATION THAT IS PROPRIETARY TO MOLEX INCORPORATED AND SHOULD NOT BE USED WITHOUT WRITTEN PERMISSION							

19 18 17 16 15 14 13 12 11 10 9 8 7 6 5 4 3 2 1