

# 16-BIT DUAL-SUPPLY BUS TRANSCEIVER WITH CONFIGURABLE VOLTAGE TRANSLATION AND 3-STATE OUTPUTS

SCES394B – JUNE 2002 – REVISED MARCH 2005

- Member of the Texas Instruments Widebus™ Family
- DOC™ Circuitry Dynamically Changes Output Impedance, Resulting in Noise Reduction Without Speed Degradation
- Dynamic Drive Capability Is Equivalent to Standard Outputs With  $I_{OH}$  and  $I_{OL}$  of  $\pm 24$  mA at 2.5-V  $V_{CC}$
- Control Inputs  $V_{IH}/V_{IL}$  Levels are Referenced to  $V_{CCB}$  Voltage
- If Either  $V_{CC}$  Input Is at GND, Both Ports Are in the High-Impedance State
- Overvoltage-Tolerant Inputs/Outputs Allow Mixed-Voltage-Mode Data Communications
- $I_{off}$  Supports Partial-Power-Down Mode Operation
- Fully Configurable Dual-Rail Design Allows Each Port to Operate Over the Full 1.4-V to 3.6-V Power-Supply Range
- Latch-Up Performance Exceeds 100 mA Per JESD 78, Class II
- ESD Protection Exceeds JESD 22
  - 2000-V Human-Body Model (A114-A)
  - 200-V Machine Model (A115-A)
  - 1000-V Charged-Device Model (C101)

## description/ordering information

This 16-bit (dual-octal) noninverting bus transceiver uses two separate configurable power-supply rails. The A port is designed to track  $V_{CCA}$ .  $V_{CCA}$  accepts any supply voltage from 1.4 V to 3.6 V. The B port is designed to track  $V_{CCB}$ .  $V_{CCB}$  accepts any supply voltage from 1.4 V to 3.6 V. This allows for universal low-voltage bidirectional translation between any of the 1.5-V, 1.8-V, 2.5-V, and 3.3-V voltage nodes.

The SN74AVCB164245 is designed for asynchronous communication between data buses. The device transmits data from the A bus to the B bus or from the B bus to the A bus, depending on the logic level at the direction-control (DIR) input. The output-enable ( $\overline{OE}$ ) input can be used to disable the outputs so the buses are effectively isolated.

The SN74AVCB164245 is designed so that the control pins (1DIR, 2DIR,  $1\overline{OE}$ , and  $2\overline{OE}$ ) are supplied by  $V_{CCB}$ .

To ensure the high-impedance state during power up or power down,  $\overline{OE}$  should be tied to  $V_{CCB}$  through a pullup resistor; the minimum value of the resistor is determined by the current-sinking capability of the driver.

This device is fully specified for partial-power-down applications using  $I_{off}$ . The  $I_{off}$  circuitry disables the outputs, preventing damaging current backflow through the device when it is powered down. If either  $V_{CC}$  input is at GND, both ports are in the high-impedance state.

## ORDERING INFORMATION

| TA            | PACKAGE†              |               | ORDERABLE PART NUMBER | TOP-SIDE MARKING |
|---------------|-----------------------|---------------|-----------------------|------------------|
| –40°C to 85°C | TSSOP – DGG           | Tape and reel | SN74AVCB164245GR      | AVCB164245       |
|               | TVSOP – DGV           | Tape and reel | SN74AVCB164245VR      | WB4245           |
|               | VFBGA – GQL           | Tape and reel | SN74AVCB164245KR      | WB4245           |
|               | VFBGA – ZQL (Pb-Free) | Tape and reel | 74AVCB164245ZQLR      |                  |

† Package drawings, standard packing quantities, thermal data, symbolization, and PCB design guidelines are available at [www.ti.com/sc/package](http://www.ti.com/sc/package).

Please be aware that an important notice concerning availability, standard warranty, and use in critical applications of Texas Instruments semiconductor products and disclaimers thereto appears at the end of this data sheet.

DOC and Widebus are trademarks of Texas Instruments.

PRODUCTION DATA information is current as of publication date. Products conform to specifications per the terms of Texas Instruments standard warranty. Production processing does not necessarily include testing of all parameters.

# SN74AVCB164245

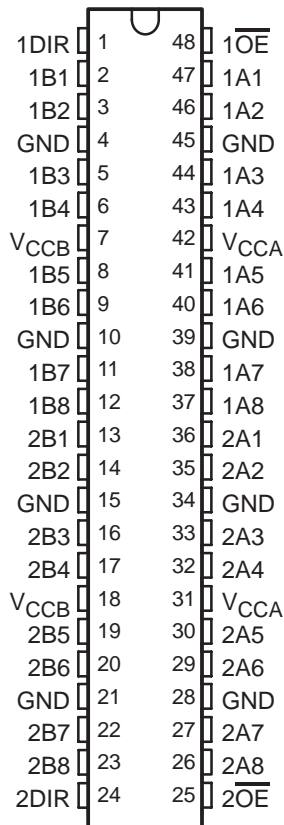
## 16-BIT DUAL-SUPPLY BUS TRANSCEIVER

### WITH CONFIGURABLE VOLTAGE TRANSLATION AND 3-STATE OUTPUTS

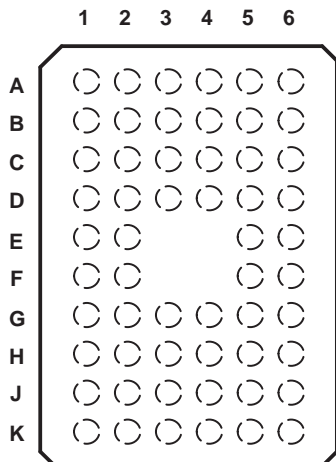
SCES394B – JUNE 2002 – REVISED MARCH 2005

#### terminal assignments

DGG OR DGV PACKAGE  
(TOP VIEW)



GQL PACKAGE  
(TOP VIEW)



#### terminal assignments

|   | 1    | 2   | 3    | 4    | 5   | 6   |
|---|------|-----|------|------|-----|-----|
| A | 1DIR | NC  | NC   | NC   | NC  | 1OE |
| B | 1B2  | 1B1 | GND  | GND  | 1A1 | 1A2 |
| C | 1B4  | 1B3 | VCCB | VCCA | 1A3 | 1A4 |
| D | 1B6  | 1B5 | GND  | GND  | 1A5 | 1A6 |
| E | 1B8  | 1B7 |      |      | 1A7 | 1A8 |
| F | 2B1  | 2B2 |      |      | 2A2 | 2A1 |
| G | 2B3  | 2B4 | GND  | GND  | 2A4 | 2A3 |
| H | 2B5  | 2B6 | VCCB | VCCA | 2A6 | 2A5 |
| J | 2B7  | 2B8 | GND  | GND  | 2A8 | 2A7 |
| K | 2DIR | NC  | NC   | NC   | NC  | 2OE |

NC – No internal connection

# SN74AVCB164245

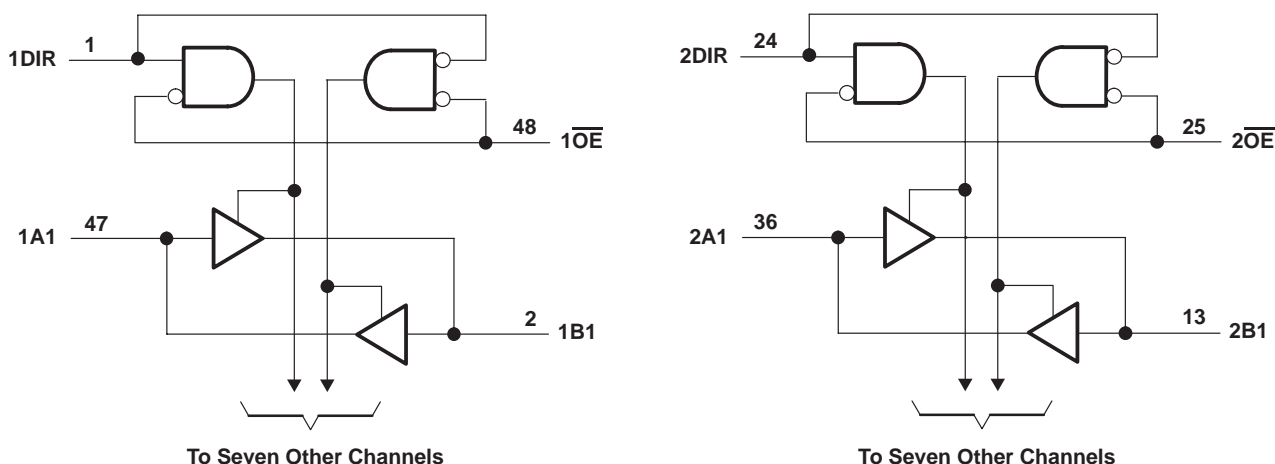
## 16-BIT DUAL-SUPPLY BUS TRANSCEIVER WITH CONFIGURABLE VOLTAGE TRANSLATION AND 3-STATE OUTPUTS

SCES394B – JUNE 2002 – REVISED MARCH 2005

**FUNCTION TABLE**  
(each 8-bit section)

| INPUTS                 |     | OPERATION       |
|------------------------|-----|-----------------|
| $\overline{\text{OE}}$ | DIR |                 |
| L                      | L   | B data to A bus |
| L                      | H   | A data to B bus |
| H                      | X   | Isolation       |

### logic diagram (positive logic)



Pin numbers shown are for the DGG and DGV packages.

### absolute maximum ratings over operating free-air temperature range (unless otherwise noted)<sup>†</sup>

|   |                             |
|---|-----------------------------|
| Supply voltage range, $V_{CCA}$ and $V_{CCB}$ .....   | –0.5 V to 4.6 V             |
| Input voltage range, $V_I$ (see Note 1): I/O ports (A port) .....   | –0.5 V to 4.6 V             |
| I/O ports (B port) .....  | –0.5 V to 4.6 V             |
| Control inputs .....  | –0.5 V to 4.6 V             |
| Voltage range applied to any output in the high-impedance or power-off state, $V_O$<br>(see Note 1): (A port) ..... | –0.5 V to 4.6 V             |
| (B port) .....  | –0.5 V to 4.6 V             |
| Voltage range applied to any output in the high or low state, $V_O$<br>(see Notes 1 and 2): (A port) .....          | –0.5 V to $V_{CCA} + 0.5$ V |
| (B port) .....  | –0.5 V to $V_{CCB} + 0.5$ V |
| Input clamp current, $I_{IK}$ ( $V_I < 0$ ) .....   | –50 mA                      |
| Output clamp current, $I_{OK}$ ( $V_O < 0$ ) .....  | –50 mA                      |
| Continuous output current, $I_O$ .....  | ±50 mA                      |
| Continuous current through $V_{CCA}$ , $V_{CCB}$ , or GND .....   | ±100 mA                     |
| Package thermal impedance, $\theta_{JA}$ (see Note 3): DGG package .....  | 70°C/W                      |
| DGV package .....   | 58°C/W                      |
| GQL/ZQL package .....   | 28°C/W                      |
| Storage temperature range, $T_{stg}$ .....  | –65°C to 150°C              |

<sup>†</sup> Stresses beyond those listed under “absolute maximum ratings” may cause permanent damage to the device. These are stress ratings only, and functional operation of the device at these or any other conditions beyond those indicated under “recommended operating conditions” is not implied. Exposure to absolute-maximum-rated conditions for extended periods may affect device reliability.

- NOTES: 1. The input and output negative-voltage ratings may be exceeded if the input and output current ratings are observed.  
 2. The output positive-voltage rating may be exceeded up to 4.6 V maximum if the output current rating is observed.  
 3. The package thermal impedance is calculated in accordance with JESD 51-7.

**SN74AVCB164245**  
**16-BIT DUAL-SUPPLY BUS TRANSCEIVER**  
**WITH CONFIGURABLE VOLTAGE TRANSLATION AND 3-STATE OUTPUTS**

SCES394B – JUNE 2002 – REVISED MARCH 2005

recommended operating conditions (see Notes 4 through 6)

|                  |                                    | V <sub>CCI</sub>                                    | V <sub>CCO</sub> | MIN                     | MAX              | UNIT |
|------------------|------------------------------------|---|------------------|-------------------------|------------------|------|
| V <sub>CCA</sub> | Supply voltage                     |   |                  | 1.4                     | 3.6              | V    |
| V <sub>CCB</sub> | Supply voltage                     |   |                  | 1.4                     | 3.6              | V    |
| V <sub>IH</sub>  | High-level input voltage           | Data inputs   | 1.4 V to 1.95 V  | V <sub>CCI</sub> × 0.65 |                  | V    |
|                  |                                    |   | 1.95 V to 2.7 V  | 1.7                     |                  |      |
|                  |                                    |   | 2.7 V to 3.6 V   | 2                       |                  |      |
| V <sub>IL</sub>  | Low-level input voltage            | Data inputs   | 1.4 V to 1.95 V  | V <sub>CCI</sub> × 0.35 |                  | V    |
|                  |                                    |   | 1.95 V to 2.7 V  | 0.7                     |                  |      |
|                  |                                    |   | 2.7 V to 3.6 V   | 0.8                     |                  |      |
| V <sub>IH</sub>  | High-level input voltage           | Control inputs<br>(Referenced to V <sub>CCB</sub> ) | 1.4 V to 1.95 V  | V <sub>CCB</sub> × 0.65 |                  | V    |
|                  |                                    |   | 1.95 V to 2.7 V  | 1.7                     |                  |      |
|                  |                                    |   | 2.7 V to 3.6 V   | 2                       |                  |      |
| V <sub>IL</sub>  | Low-level input voltage            | Control inputs<br>(Referenced to V <sub>CCB</sub> ) | 1.4 V to 1.95 V  | V <sub>CCB</sub> × 0.35 |                  | V    |
|                  |                                    |   | 1.95 V to 2.7 V  | 0.7                     |                  |      |
|                  |                                    |   | 2.7 V to 3.6 V   | 0.8                     |                  |      |
| V <sub>I</sub>   | Input voltage                      |   |                  | 0                       | 3.6              | V    |
| V <sub>O</sub>   | Output voltage                     | Active state  |                  | 0                       | V <sub>CCO</sub> | V    |
|                  |                                    | 3-state   |                  | 0                       | 3.6              |      |
| I <sub>OH</sub>  | High-level output current          |   | 1.4 V to 1.6 V   | -2                      |                  | mA   |
|                  |                                    |   | 1.65 V to 1.95 V | -4                      |                  |      |
|                  |                                    |   | 2.3 V to 2.7 V   | -8                      |                  |      |
|                  |                                    |   | 3 V to 3.6 V     | -12                     |                  |      |
| I <sub>OL</sub>  | Low-level output current           |   | 1.4 V to 1.6 V   | 2                       |                  | mA   |
|                  |                                    |   | 1.65 V to 1.95 V | 4                       |                  |      |
|                  |                                    |   | 2.3 V to 2.7 V   | 8                       |                  |      |
|                  |                                    |   | 3 V to 3.6 V     | 12                      |                  |      |
| Δt/Δv            | Input transition rise or fall rate |   |                  |                         | 5                | ns/V |
| T <sub>A</sub>   | Operating free-air temperature     |   |                  | -40                     | 85               | °C   |

- NOTES: 4. V<sub>CCI</sub> is the V<sub>CC</sub> associated with the data input port.  
5. V<sub>CCO</sub> is the V<sub>CC</sub> associated with the output port.  
6. All unused data inputs of the device must be held at V<sub>CCI</sub> or GND to ensure proper device operation. Refer to the TI application report, *Implications of Slow or Floating CMOS Inputs*, literature number SCBA004.

**SN74AVCB164245**  
**16-BIT DUAL-SUPPLY BUS TRANSCEIVER**  
**WITH CONFIGURABLE VOLTAGE TRANSLATION AND 3-STATE OUTPUTS**

SCES394B – JUNE 2002 – REVISED MARCH 2005

electrical characteristics over recommended operating free-air temperature range (unless otherwise noted) (see Note 7 and 8)

| PARAMETER         |  | TEST CONDITIONS   |                                     | V <sub>CCA</sub> | V <sub>CCB</sub> | MIN                      | TYP† | MAX   | UNIT |
|-------------------|--|---|-------------------------------------|------------------|------------------|--------------------------|------|-------|------|
| V <sub>OH</sub>   |  | I <sub>OH</sub> = -100 μA   | V <sub>I</sub> = V <sub>IH</sub>    | 1.4 V to 3.6 V   | 1.4 V to 3.6 V   | V <sub>CCO</sub> - 0.2 V |      |       | V    |
|                   |  | I <sub>OH</sub> = -2 mA   | V <sub>I</sub> = V <sub>IH</sub>    | 1.4 V            | 1.4 V            | 1.05                     |      |       |      |
|                   |  | I <sub>OH</sub> = -4 mA   | V <sub>I</sub> = V <sub>IH</sub>    | 1.65 V           | 1.65 V           | 1.2                      |      |       |      |
|                   |  | I <sub>OH</sub> = -8 mA   | V <sub>I</sub> = V <sub>IH</sub>    | 2.3 V            | 2.3 V            | 1.75                     |      |       |      |
|                   |  | I <sub>OH</sub> = -12 mA  | V <sub>I</sub> = V <sub>IH</sub>    | 3 V              | 3 V              | 2.3                      |      |       |      |
| V <sub>OL</sub>   |  | I <sub>OH</sub> = 100 μA  | V <sub>I</sub> = V <sub>IL</sub>    | 1.4 V to 3.6 V   | 1.4 V to 3.6 V   |                          |      | 0.2   | V    |
|                   |  | I <sub>OH</sub> = 2 mA  | V <sub>I</sub> = V <sub>IL</sub>    | 1.4 V            | 1.4 V            |                          |      | 0.35  |      |
|                   |  | I <sub>OH</sub> = 4 mA  | V <sub>I</sub> = V <sub>IL</sub>    | 1.65 V           | 1.65 V           |                          |      | 0.45  |      |
|                   |  | I <sub>OH</sub> = 8 mA  | V <sub>I</sub> = V <sub>IL</sub>    | 2.3 V            | 2.3 V            |                          |      | 0.55  |      |
|                   |  | I <sub>OH</sub> = 12 mA   | V <sub>I</sub> = V <sub>IL</sub>    | 3 V              | 3 V              |                          |      | 0.7   |      |
| I <sub>I</sub>    | Control inputs   | V <sub>I</sub> = V <sub>CCB</sub> or GND  |                                     | 1.4 V to 3.6 V   | 3.6 V            |                          |      | ±2.5  | μA   |
| I <sub>off</sub>  | A port   | V <sub>I</sub> or V <sub>O</sub> = 0 to 3.6 V   |                                     | 0 V              | 0 to 3.6 V       |                          |      | ±10   | μA   |
|                   | B port   |   |                                     | 0 to 3.6 V       | 0 V              |                          |      | ±10   |      |
| I <sub>OZ</sub> ‡ | A or B ports   | V <sub>O</sub> = V <sub>CCO</sub> or GND,<br>V <sub>I</sub> = V <sub>CCI</sub> or GND | $\overline{OE} = V_{IH}$            | 3.6 V            | 3.6 V            |                          |      | ±12.5 | μA   |
|                   | B port   |   | $\overline{OE} = \text{don't care}$ | 0 V              | 3.6 V            |                          |      | ±12.5 |      |
|                   | A port   |   |                                     | 3.6 V            | 0 V              |                          |      | ±12.5 |      |
| I <sub>CCA</sub>  | V <sub>I</sub> = V <sub>CCI</sub> or GND, I <sub>O</sub> = 0 |   |                                     | 1.6 V            | 1.6 V            |                          |      | 20    | μA   |
|                   |  |   |                                     | 1.95 V           | 1.95 V           |                          |      | 20    |      |
|                   |  |   |                                     | 2.7 V            | 2.7 V            |                          |      | 30    |      |
|                   |  |   |                                     | 0 V              | 3.6 V            |                          |      | -40   |      |
|                   |  |   |                                     | 3.6 V            | 0 V              |                          |      | 40    |      |
|                   |  |   |                                     | 3.6 V            | 3.6 V            |                          |      | 40    |      |
| I <sub>CCB</sub>  | V <sub>I</sub> = V <sub>CCI</sub> or GND, I <sub>O</sub> = 0 |   |                                     | 1.6 V            | 1.6 V            |                          |      | 20    | μA   |
|                   |  |   |                                     | 1.95 V           | 1.95 V           |                          |      | 20    |      |
|                   |  |   |                                     | 2.7 V            | 2.7 V            |                          |      | 30    |      |
|                   |  |   |                                     | 0 V              | 3.6 V            |                          |      | 40    |      |
|                   |  |   |                                     | 3.6 V            | 0 V              |                          |      | -40   |      |
|                   |  |   |                                     | 3.6 V            | 3.6 V            |                          |      | 40    |      |
| C <sub>i</sub>    | Control inputs   | V <sub>I</sub> = 3.3 V or GND   |                                     | 3.3 V            | 3.3 V            | 4                        |      | pF    |      |
| C <sub>iO</sub>   | A or B ports   | V <sub>O</sub> = 3.3 V or GND   |                                     | 3.3 V            | 3.3 V            | 5                        |      | pF    |      |

† All typical values are at T<sub>A</sub> = 25°C.

‡ For I/O ports, the parameter I<sub>OZ</sub> includes the input leakage current.

NOTES: 7. V<sub>CCO</sub> is the V<sub>CC</sub> associated with the output port.

8. V<sub>CCI</sub> is the V<sub>CC</sub> associated with the input port.

**SN74AVCB164245**  
**16-BIT DUAL-SUPPLY BUS TRANSCEIVER**  
**WITH CONFIGURABLE VOLTAGE TRANSLATION AND 3-STATE OUTPUTS**

SCES394B – JUNE 2002 – REVISED MARCH 2005

switching characteristics over recommended operating free-air temperature range,  
 $V_{CCA} = 1.5\text{ V} \pm 0.1\text{ V}$  (see Figure 2)

| PARAMETER | FROM (INPUT)    | TO (OUTPUT) | $V_{CCB} = 1.5\text{ V} \pm 0.1\text{ V}$ |     | $V_{CCB} = 1.8\text{ V} \pm 0.15\text{ V}$ |     | $V_{CCB} = 2.5\text{ V} \pm 0.2\text{ V}$ |     | $V_{CCB} = 3.3\text{ V} \pm 0.3\text{ V}$ |     | UNIT |
|-----------|-----------------|-------------|---|-----|--|-----|---|-----|---|-----|------|
|           |                 |             | MIN                                       | MAX | MIN  | MAX | MIN                                       | MAX | MIN                                       | MAX |      |
| $t_{pd}$  | A               | B           | 1.7                                       | 6.7 | 1.9  | 6.3 | 1.8                                       | 5.5 | 1.7                                       | 5.8 | ns   |
|           | B               | A           | 1.8                                       | 6.8 | 2.2  | 7.4 | 2.1                                       | 7.6 | 2.1                                       | 7.3 |      |
| $t_{en}$  | $\overline{OE}$ | A           | 2.5                                       | 8.4 | 2.4  | 7.4 | 2.1                                       | 5.2 | 1.9                                       | 4.2 | ns   |
|           | $\overline{OE}$ | B           | 2.1                                       | 9   | 2.9  | 9.8 | 3.2                                       | 10  | 3   | 9.8 |      |
| $t_{dis}$ | $\overline{OE}$ | A           | 2.2                                       | 6.9 | 2.3  | 6.1 | 1.3                                       | 3.6 | 1.3                                       | 3   | ns   |
|           | $\overline{OE}$ | B           | 2.1                                       | 7.1 | 2.3  | 6.4 | 1.7                                       | 5.1 | 1.6                                       | 4.8 |      |

switching characteristics over recommended operating free-air temperature range,  
 $V_{CCA} = 1.8\text{ V} \pm 0.15\text{ V}$  (see Figure 2)

| PARAMETER | FROM (INPUT)    | TO (OUTPUT) | $V_{CCB} = 1.5\text{ V} \pm 0.1\text{ V}$ |     | $V_{CCB} = 1.8\text{ V} \pm 0.15\text{ V}$ |     | $V_{CCB} = 2.5\text{ V} \pm 0.2\text{ V}$ |     | $V_{CCB} = 3.3\text{ V} \pm 0.3\text{ V}$ |     | UNIT |
|-----------|-----------------|-------------|---|-----|--|-----|---|-----|---|-----|------|
|           |                 |             | MIN                                       | MAX | MIN  | MAX | MIN                                       | MAX | MIN                                       | MAX |      |
| $t_{pd}$  | A               | B           | 1.7                                       | 6.4 | 1.8  | 6   | 1.7                                       | 4.7 | 1.6                                       | 4.3 | ns   |
|           | B               | A           | 1.4                                       | 5.5 | 1.8  | 6   | 1.8                                       | 5.8 | 1.8                                       | 5.5 |      |
| $t_{en}$  | $\overline{OE}$ | A           | 2.6                                       | 8.5 | 2.5  | 7.5 | 2.2                                       | 5.3 | 1.9                                       | 4.2 | ns   |
|           | $\overline{OE}$ | B           | 1.8                                       | 7.6 | 2.6  | 7.7 | 2.6                                       | 7.6 | 2.6                                       | 7.4 |      |
| $t_{dis}$ | $\overline{OE}$ | A           | 2.3                                       | 7   | 2.3  | 6.1 | 1.3                                       | 3.6 | 1.3                                       | 3   | ns   |
|           | $\overline{OE}$ | B           | 1.8                                       | 7   | 2.5  | 6.3 | 1.8                                       | 4.7 | 1.7                                       | 4.4 |      |

switching characteristics over recommended operating free-air temperature range,  
 $V_{CCA} = 2.5\text{ V} \pm 0.2\text{ V}$  (see Figure 2)

| PARAMETER | FROM (INPUT)    | TO (OUTPUT) | $V_{CCB} = 1.5\text{ V} \pm 0.1\text{ V}$ |     | $V_{CCB} = 1.8\text{ V} \pm 0.15\text{ V}$ |     | $V_{CCB} = 2.5\text{ V} \pm 0.2\text{ V}$ |     | $V_{CCB} = 3.3\text{ V} \pm 0.3\text{ V}$ |     | UNIT |
|-----------|-----------------|-------------|---|-----|--|-----|---|-----|---|-----|------|
|           |                 |             | MIN                                       | MAX | MIN  | MAX | MIN                                       | MAX | MIN                                       | MAX |      |
| $t_{pd}$  | A               | B           | 1.6                                       | 6   | 1.8  | 5.6 | 1.5                                       | 4   | 1.4                                       | 3.4 | ns   |
|           | B               | A           | 1.3                                       | 4.6 | 1.7  | 4.4 | 1.5                                       | 4   | 1.4                                       | 3.7 |      |
| $t_{en}$  | $\overline{OE}$ | A           | 3.1                                       | 8.5 | 2.5  | 7.5 | 2.2                                       | 5.3 | 1.9                                       | 4.2 | ns   |
|           | $\overline{OE}$ | B           | 1.7                                       | 5.7 | 2.2  | 5.5 | 2.2                                       | 5.3 | 2.2                                       | 5.1 |      |
| $t_{dis}$ | $\overline{OE}$ | A           | 2.4                                       | 7   | 3  | 6.1 | 1.4                                       | 3.6 | 1.2                                       | 3   | ns   |
|           | $\overline{OE}$ | B           | 1.2                                       | 5.8 | 1.9  | 5   | 1.4                                       | 3.6 | 1.3                                       | 3.3 |      |

**SN74AVCB164245**  
**16-BIT DUAL-SUPPLY BUS TRANSCEIVER**  
**WITH CONFIGURABLE VOLTAGE TRANSLATION AND 3-STATE OUTPUTS**

SCES394B – JUNE 2002 – REVISED MARCH 2005

switching characteristics over recommended operating free-air temperature range,  
 $V_{CCA} = 3.3 \text{ V} \pm 0.3 \text{ V}$  (see Figure 2)

| PARAMETER | FROM (INPUT)    | TO (OUTPUT) | $V_{CCB} = 1.5 \text{ V} \pm 0.1 \text{ V}$ |     | $V_{CCB} = 1.8 \text{ V} \pm 0.15 \text{ V}$ |     | $V_{CCB} = 2.5 \text{ V} \pm 0.2 \text{ V}$ |     | $V_{CCB} = 3.3 \text{ V} \pm 0.3 \text{ V}$ |     | UNIT |
|-----------|-----------------|-------------|---|-----|--|-----|---|-----|---|-----|------|
|           |                 |             | MIN   | MAX | MIN  | MAX | MIN   | MAX | MIN   | MAX |      |
| $t_{pd}$  | A               | B           | 1.5   | 5.9 | 1.7  | 5.4 | 1.5   | 3.7 | 1.4   | 3.1 | ns   |
|           | B               | A           | 1.3   | 4.5 | 1.6  | 3.8 | 1.5   | 3.3 | 1.4   | 3.1 |      |
| $t_{en}$  | $\overline{OE}$ | A           | 2.6   | 8.3 | 2.5  | 7.4 | 2.2   | 5.2 | 1.9   | 4.1 | ns   |
|           | $\overline{OE}$ | B           | 1.6   | 4.9 | 2  | 4.5 | 2   | 4.3 | 1.9   | 4.1 |      |
| $t_{dis}$ | $\overline{OE}$ | A           | 2.3   | 7   | 3  | 6   | 1.3   | 3.5 | 1.2   | 3.5 | ns   |
|           | $\overline{OE}$ | B           | 1.3   | 6.9 | 2.1  | 5.5 | 1.6   | 3.8 | 1.5   | 3.5 |      |

operating characteristics,  $V_{CCA}$  and  $V_{CCB} = 3.3 \text{ V}$ ,  $T_A = 25^\circ\text{C}$

| PARAMETER                  |   |                  | TEST CONDITIONS                     | TYP | UNIT |
|----------------------------|---|------------------|-------------------------------------|-----|------|
| $C_{pdA}$<br>( $V_{CCA}$ ) | Power dissipation capacitance per transceiver,<br>A port input, B port output | Outputs enabled  | $C_L = 0, \quad f = 10 \text{ MHz}$ | 14  | pF   |
|                            |   | Outputs disabled |                                     | 7   |      |
|                            | Power dissipation capacitance per transceiver,<br>B port input, A port output | Outputs enabled  |                                     | 20  |      |
|                            |   | Outputs disabled |                                     | 7   |      |
| $C_{pdB}$<br>( $V_{CCB}$ ) | Power dissipation capacitance per transceiver,<br>A port input, B port output | Outputs enabled  | $C_L = 0, \quad f = 10 \text{ MHz}$ | 20  | pF   |
|                            |   | Outputs disabled |                                     | 7   |      |
|                            | Power dissipation capacitance per transceiver,<br>B port input, A port output | Outputs enabled  |                                     | 14  |      |
|                            |   | Outputs disabled |                                     | 7   |      |

# SN74AVCB164245

## 16-BIT DUAL-SUPPLY BUS TRANSCEIVER

### WITH CONFIGURABLE VOLTAGE TRANSLATION AND 3-STATE OUTPUTS

SCES394B – JUNE 2002 – REVISED MARCH 2005

#### output description

The DOC™ circuitry is implemented, which, during the transition, initially lowers the output impedance to effectively drive the load and, subsequently, raises the impedance to reduce noise. Figure 1 shows typical  $V_{OL}$  vs  $I_{OL}$  and  $V_{OH}$  vs  $I_{OH}$  curves to illustrate the output impedance and drive capability of the circuit. At the beginning of the signal transition, the DOC circuit provides a maximum dynamic drive that is equivalent to a high-drive standard-output device. For more information, refer to the TI application reports, *AVC Logic Family Technology and Applications*, literature number SCEA006, and *Dynamic Output Control (DOC™) Circuitry Technology and Applications*, literature number SCEA009.

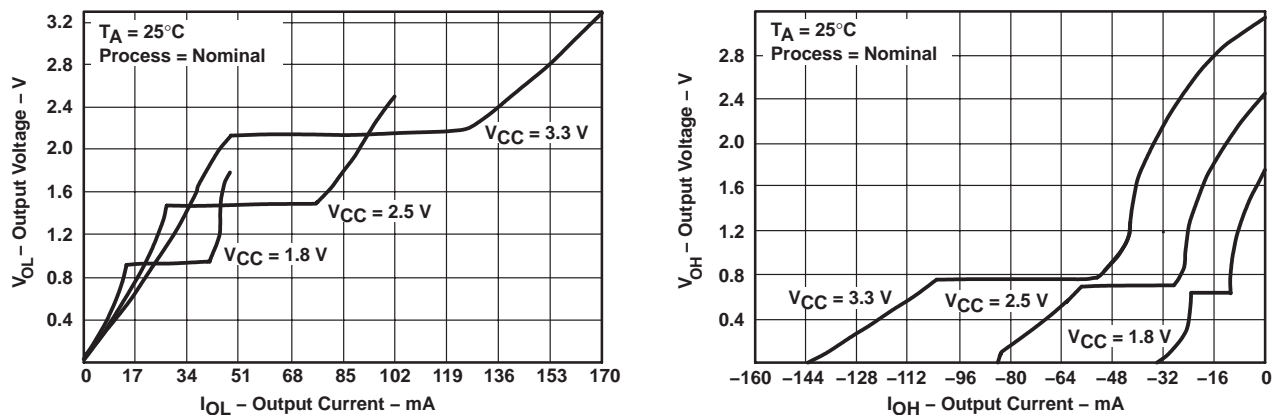


Figure 1. Typical Output Voltage vs Output Current



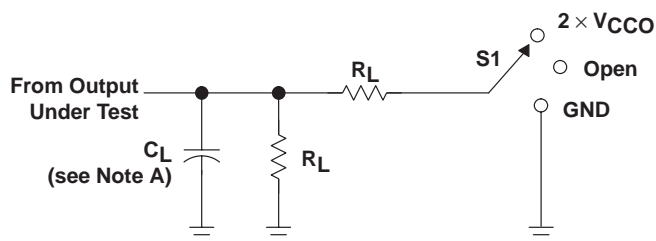
# SN74AVCB164245

## 16-BIT DUAL-SUPPLY BUS TRANSCEIVER

### WITH CONFIGURABLE VOLTAGE TRANSLATION AND 3-STATE OUTPUTS

SCES394B – JUNE 2002 – REVISED MARCH 2005

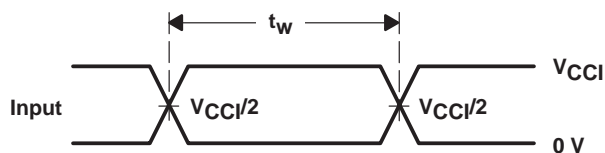
#### PARAMETER MEASUREMENT INFORMATION



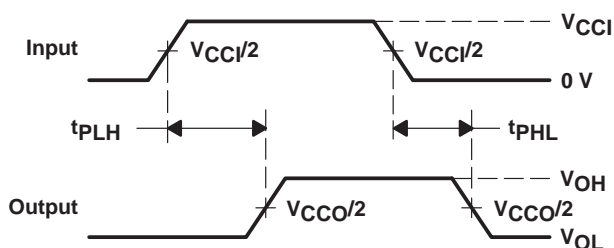
LOAD CIRCUIT

| TEST              | S1                 |
|-------------------|--------------------|
| $t_{pd}$          | Open               |
| $t_{PLZ}/t_{PZL}$ | $2 \times V_{CCO}$ |
| $t_{PHZ}/t_{PZH}$ | GND                |

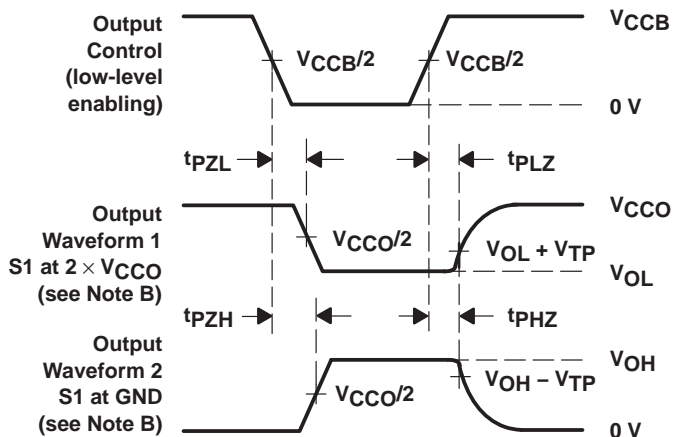
| $V_{CCO}$                          | $C_L$ | $R_L$        | $V_{TP}$ |
|------------------------------------|-------|--------------|----------|
| $1.5 \text{ V} \pm 0.1 \text{ V}$  | 15 pF | 2 k $\Omega$ | 0.1 V    |
| $1.8 \text{ V} \pm 0.15 \text{ V}$ | 30 pF | 1 k $\Omega$ | 0.15 V   |
| $2.5 \text{ V} \pm 0.2 \text{ V}$  | 30 pF | 500 $\Omega$ | 0.15 V   |
| $3.3 \text{ V} \pm 0.3 \text{ V}$  | 30 pF | 500 $\Omega$ | 0.3 V    |



VOLTAGE WAVEFORMS  
PULSE DURATION



VOLTAGE WAVEFORMS  
PROPAGATION DELAY TIMES



VOLTAGE WAVEFORMS  
ENABLE AND DISABLE TIMES

- NOTES:
- A.  $C_L$  includes probe and jig capacitance.
  - B. Waveform 1 is for an output with internal conditions such that the output is low, except when disabled by the output control. Waveform 2 is for an output with internal conditions such that the output is high, except when disabled by the output control.
  - C. All input pulses are supplied by generators having the following characteristics:  $PRR \leq 10 \text{ MHz}$ ,  $Z_O = 50 \Omega$ ,  $dv/dt \geq 1 \text{ V/ns}$ ,  $dv/dt \geq 1 \text{ V/ns}$ .
  - D. The outputs are measured one at a time, with one transition per measurement.
  - E.  $t_{PLZ}$  and  $t_{PHZ}$  are the same as  $t_{dis}$ .
  - F.  $t_{PZL}$  and  $t_{PZH}$  are the same as  $t_{en}$ .
  - G.  $t_{PLH}$  and  $t_{PHL}$  are the same as  $t_{pd}$ .
  - H.  $V_{CCI}$  is the  $V_{CC}$  associated with the input port.
  - I.  $V_{CCO}$  is the  $V_{CC}$  associated with the output port.

Figure 2. Load Circuit and Voltage Waveforms

**PACKAGING INFORMATION**

| Orderable Device  | Status <sup>(1)</sup> | Package Type | Package Drawing | Pins | Package Qty | Eco Plan <sup>(2)</sup> | Lead/Ball Finish | MSL Peak Temp <sup>(3)</sup> |
|-------------------|-----------------------|--------------|-----------------|------|-------------|-------------------------|------------------|------------------------------|
| 74AVCB164245ZQLR  | ACTIVE                | VFBGA        | ZQL             | 56   | 1000        | Pb-Free (RoHS)          | SNAGCU           | Level-1-260C-UNLIM           |
| SN74AVCB164245DGG | PREVIEW               | TSSOP        | DGG             | 48   | 40          | Pb-Free (RoHS)          | CU NIPDAU        | Level-1-250C-UNLIM           |
| SN74AVCB164245GR  | ACTIVE                | TSSOP        | DGG             | 48   | 2000        | Pb-Free (RoHS)          | CU NIPDAU        | Level-1-250C-UNLIM           |
| SN74AVCB164245KR  | ACTIVE                | VFBGA        | GQL             | 56   | 1000        | TBD                     | SNPB             | Level-1-240C-UNLIM           |
| SN74AVCB164245VR  | ACTIVE                | TVSOP        | DGV             | 48   | 2000        | Pb-Free (RoHS)          | CU NIPDAU        | Level-1-250C-UNLIM           |

<sup>(1)</sup> The marketing status values are defined as follows:

**ACTIVE:** Product device recommended for new designs.

**LIFEBUY:** TI has announced that the device will be discontinued, and a lifetime-buy period is in effect.

**NRND:** Not recommended for new designs. Device is in production to support existing customers, but TI does not recommend using this part in a new design.

**PREVIEW:** Device has been announced but is not in production. Samples may or may not be available.

**OBSOLETE:** TI has discontinued the production of the device.

<sup>(2)</sup> Eco Plan - The planned eco-friendly classification: Pb-Free (RoHS) or Green (RoHS & no Sb/Br) - please check <http://www.ti.com/productcontent> for the latest availability information and additional product content details.

**TBD:** The Pb-Free/Green conversion plan has not been defined.

**Pb-Free (RoHS):** TI's terms "Lead-Free" or "Pb-Free" mean semiconductor products that are compatible with the current RoHS requirements for all 6 substances, including the requirement that lead not exceed 0.1% by weight in homogeneous materials. Where designed to be soldered at high temperatures, TI Pb-Free products are suitable for use in specified lead-free processes.

**Green (RoHS & no Sb/Br):** TI defines "Green" to mean Pb-Free (RoHS compatible), and free of Bromine (Br) and Antimony (Sb) based flame retardants (Br or Sb do not exceed 0.1% by weight in homogeneous material)

<sup>(3)</sup> MSL, Peak Temp. -- The Moisture Sensitivity Level rating according to the JEDEC industry standard classifications, and peak solder temperature.

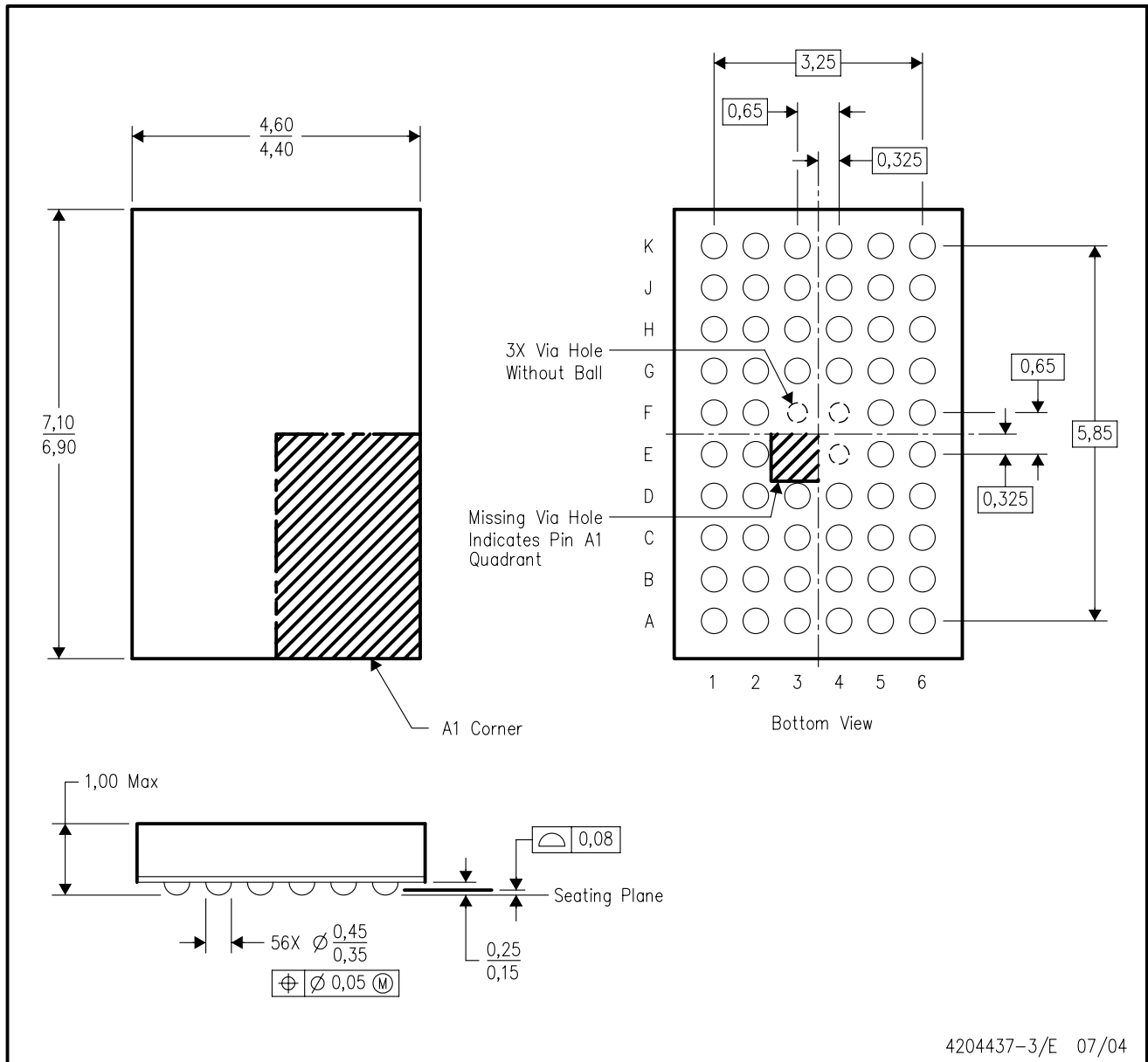
**Important Information and Disclaimer:** The information provided on this page represents TI's knowledge and belief as of the date that it is provided. TI bases its knowledge and belief on information provided by third parties, and makes no representation or warranty as to the accuracy of such information. Efforts are underway to better integrate information from third parties. TI has taken and continues to take reasonable steps to provide representative and accurate information but may not have conducted destructive testing or chemical analysis on incoming materials and chemicals. TI and TI suppliers consider certain information to be proprietary, and thus CAS numbers and other limited information may not be available for release.

In no event shall TI's liability arising out of such information exceed the total purchase price of the TI part(s) at issue in this document sold by TI to Customer on an annual basis.

# MECHANICAL DATA

ZQL (R-PBGA-N56)

PLASTIC BALL GRID ARRAY



4204437-3/E 07/04

- NOTES:
- All linear dimensions are in millimeters.
  - This drawing is subject to change without notice.
  - Falls within JEDEC MO-225 variation BA.
  - This package is lead-free. Refer to the 56 GQL package (drawing 4200583) for tin-lead (SnPb).

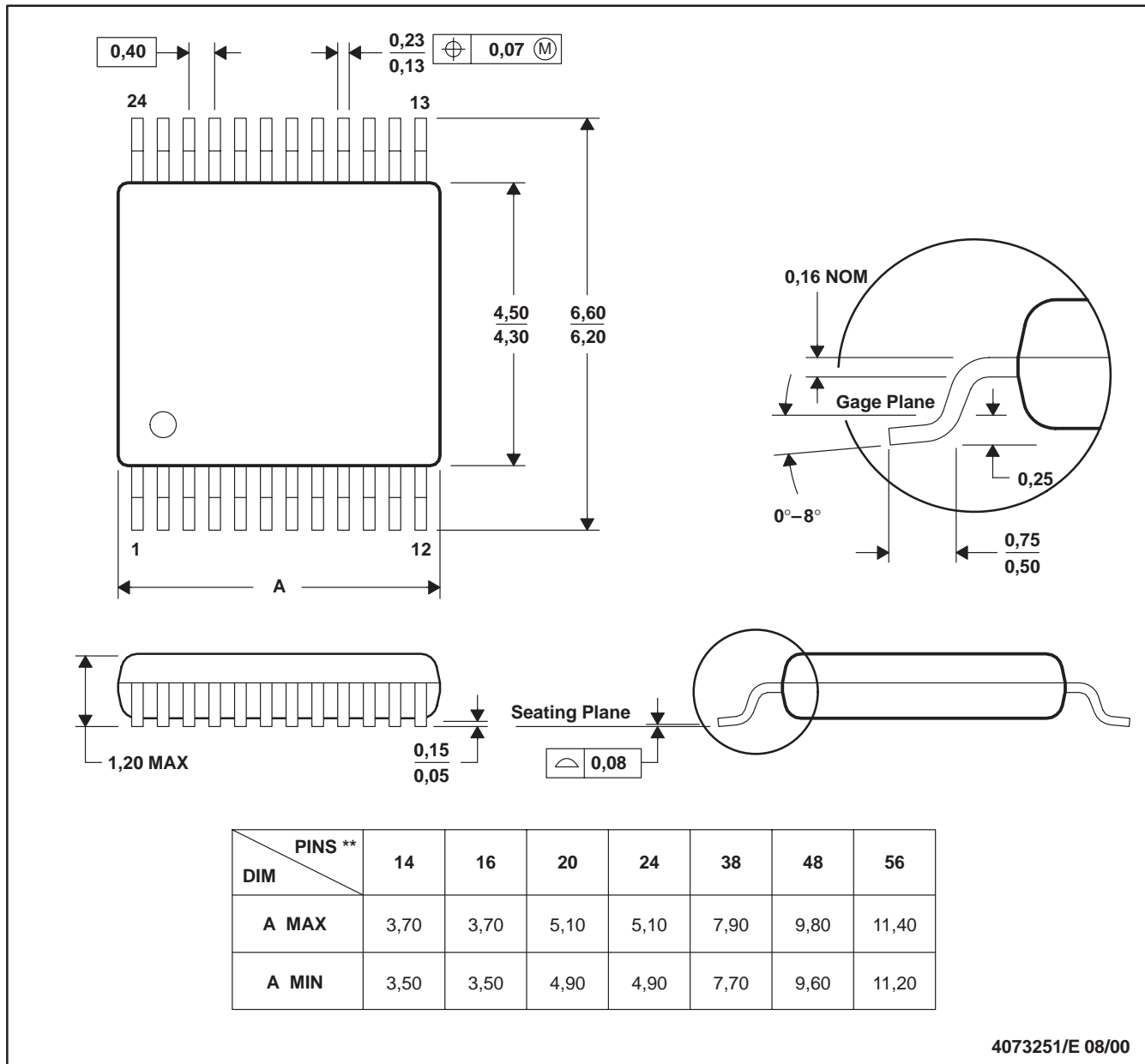
# MECHANICAL DATA

MPDS006C – FEBRUARY 1996 – REVISED AUGUST 2000

## DGV (R-PDSO-G\*\*)

## PLASTIC SMALL-OUTLINE

24 PINS SHOWN

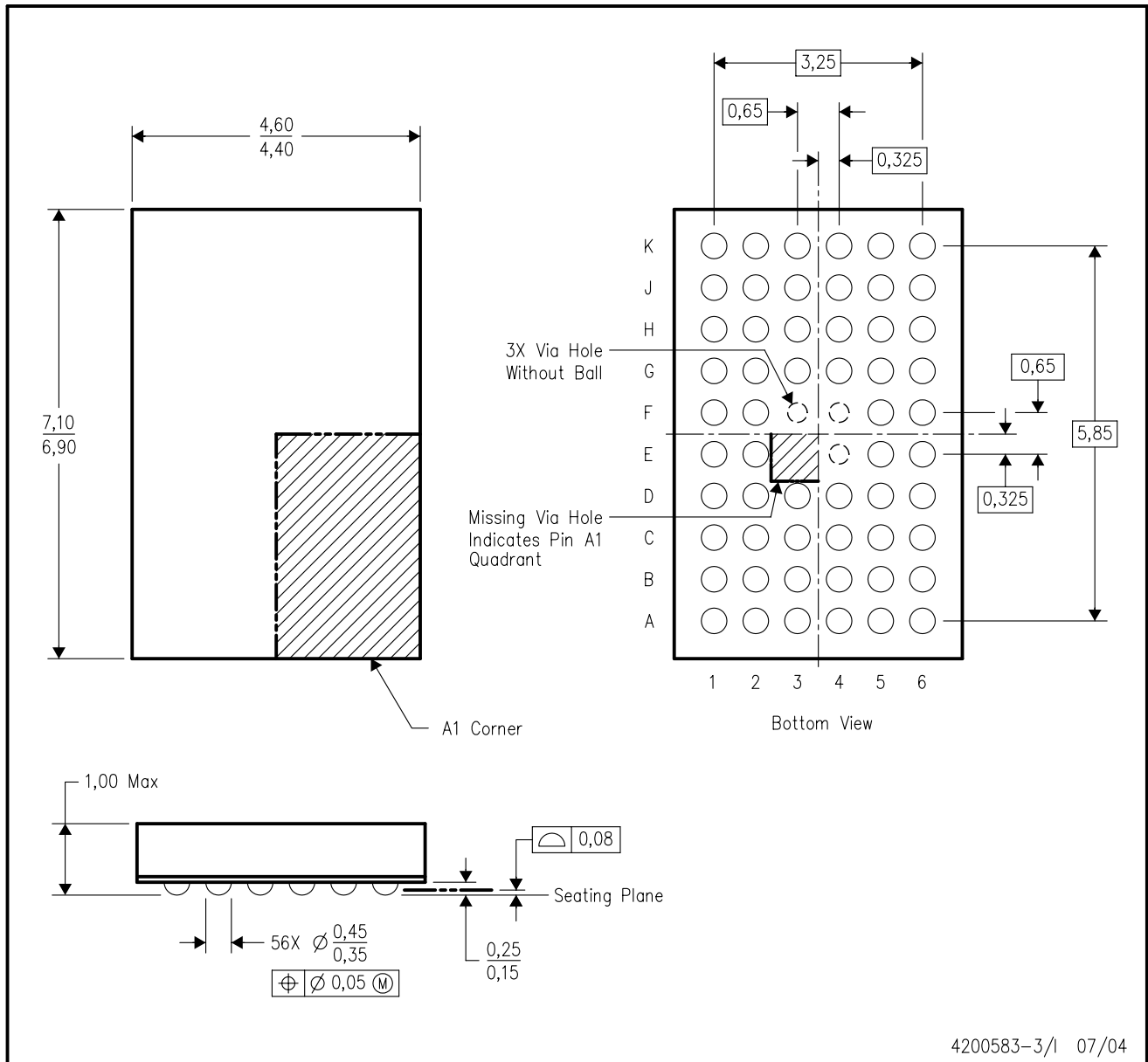


- NOTES: A. All linear dimensions are in millimeters.  
 B. This drawing is subject to change without notice.  
 C. Body dimensions do not include mold flash or protrusion, not to exceed 0,15 per side.  
 D. Falls within JEDEC: 24/48 Pins – MO-153  
 14/16/20/56 Pins – MO-194

# MECHANICAL DATA

GQL (R-PBGA-N56)

PLASTIC BALL GRID ARRAY



- NOTES:
- A. All linear dimensions are in millimeters.
  - B. This drawing is subject to change without notice.
  - C. Falls within JEDEC MO-225 variation BA.
  - D. This package is tin-lead (SnPb). Refer to the 56 ZQL package (drawing 4204437) for lead-free.

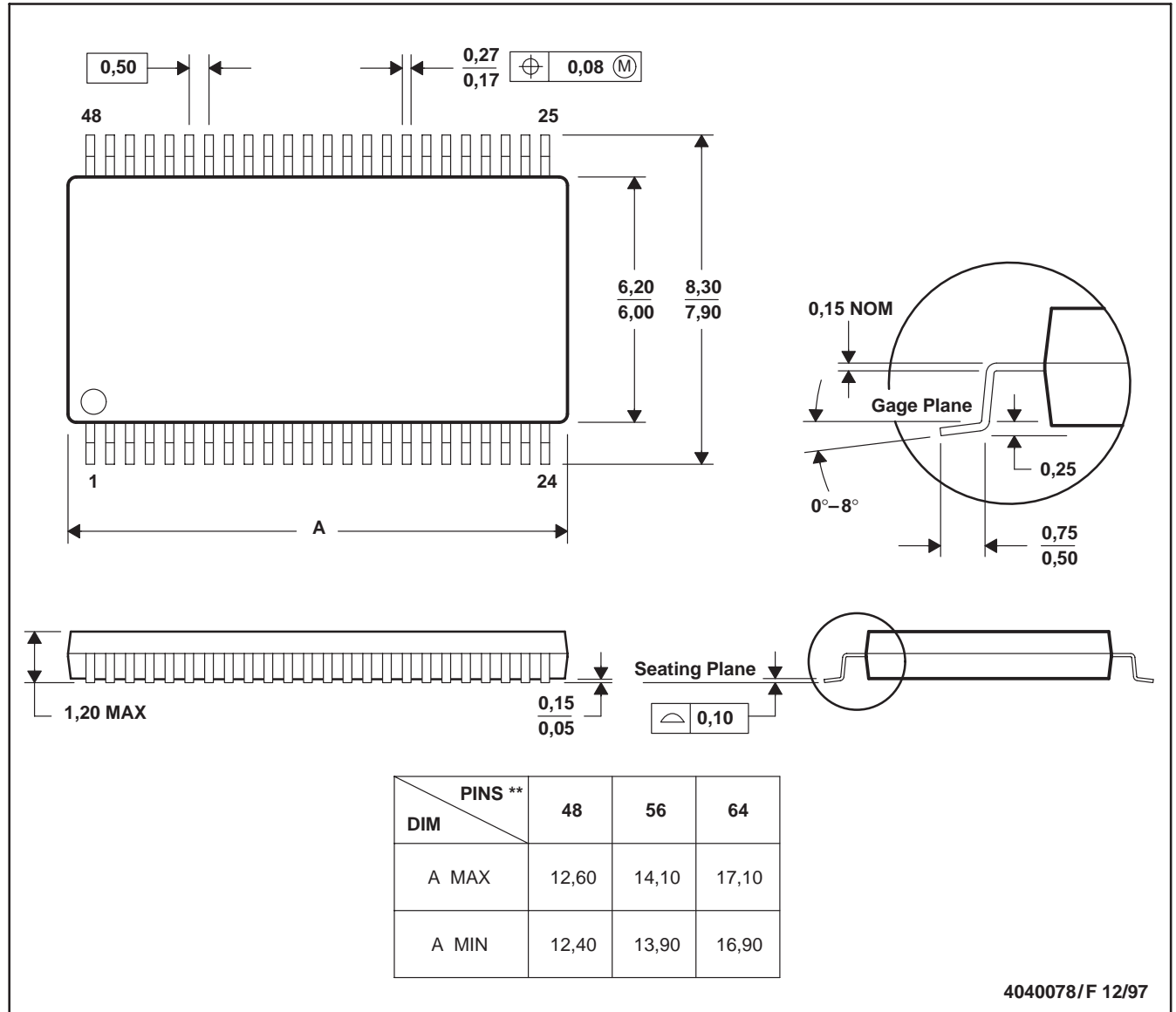
# MECHANICAL DATA

MTSS003D – JANUARY 1995 – REVISED JANUARY 1998

DGG (R-PDSO-G\*\*)

PLASTIC SMALL-OUTLINE PACKAGE

48 PINS SHOWN



- NOTES: A. All linear dimensions are in millimeters.  
 B. This drawing is subject to change without notice.  
 C. Body dimensions do not include mold protrusion not to exceed 0,15.  
 D. Falls within JEDEC MO-153

## IMPORTANT NOTICE

Texas Instruments Incorporated and its subsidiaries (TI) reserve the right to make corrections, modifications, enhancements, improvements, and other changes to its products and services at any time and to discontinue any product or service without notice. Customers should obtain the latest relevant information before placing orders and should verify that such information is current and complete. All products are sold subject to TI's terms and conditions of sale supplied at the time of order acknowledgment.

TI warrants performance of its hardware products to the specifications applicable at the time of sale in accordance with TI's standard warranty. Testing and other quality control techniques are used to the extent TI deems necessary to support this warranty. Except where mandated by government requirements, testing of all parameters of each product is not necessarily performed.

TI assumes no liability for applications assistance or customer product design. Customers are responsible for their products and applications using TI components. To minimize the risks associated with customer products and applications, customers should provide adequate design and operating safeguards.

TI does not warrant or represent that any license, either express or implied, is granted under any TI patent right, copyright, mask work right, or other TI intellectual property right relating to any combination, machine, or process in which TI products or services are used. Information published by TI regarding third-party products or services does not constitute a license from TI to use such products or services or a warranty or endorsement thereof. Use of such information may require a license from a third party under the patents or other intellectual property of the third party, or a license from TI under the patents or other intellectual property of TI.

Reproduction of information in TI data books or data sheets is permissible only if reproduction is without alteration and is accompanied by all associated warranties, conditions, limitations, and notices. Reproduction of this information with alteration is an unfair and deceptive business practice. TI is not responsible or liable for such altered documentation.

Resale of TI products or services with statements different from or beyond the parameters stated by TI for that product or service voids all express and any implied warranties for the associated TI product or service and is an unfair and deceptive business practice. TI is not responsible or liable for any such statements.

Following are URLs where you can obtain information on other Texas Instruments products and application solutions:

| <b>Products</b>  |  | <b>Applications</b> |  |
|------------------|--|---------------------|--|
| Amplifiers       | <a href="http://amplifier.ti.com">amplifier.ti.com</a>             | Audio               | <a href="http://www.ti.com/audio">www.ti.com/audio</a>                   |
| Data Converters  | <a href="http://dataconverter.ti.com">dataconverter.ti.com</a>     | Automotive          | <a href="http://www.ti.com/automotive">www.ti.com/automotive</a>         |
| DSP              | <a href="http://dsp.ti.com">dsp.ti.com</a>                         | Broadband           | <a href="http://www.ti.com/broadband">www.ti.com/broadband</a>           |
| Interface        | <a href="http://interface.ti.com">interface.ti.com</a>             | Digital Control     | <a href="http://www.ti.com/digitalcontrol">www.ti.com/digitalcontrol</a> |
| Logic            | <a href="http://logic.ti.com">logic.ti.com</a>                     | Military            | <a href="http://www.ti.com/military">www.ti.com/military</a>             |
| Power Mgmt       | <a href="http://power.ti.com">power.ti.com</a>                     | Optical Networking  | <a href="http://www.ti.com/opticalnetwork">www.ti.com/opticalnetwork</a> |
| Microcontrollers | <a href="http://microcontroller.ti.com">microcontroller.ti.com</a> | Security            | <a href="http://www.ti.com/security">www.ti.com/security</a>             |
|                  |  | Telephony           | <a href="http://www.ti.com/telephony">www.ti.com/telephony</a>           |
|                  |  | Video & Imaging     | <a href="http://www.ti.com/video">www.ti.com/video</a>                   |
|                  |  | Wireless            | <a href="http://www.ti.com/wireless">www.ti.com/wireless</a>             |

Mailing Address: Texas Instruments  
Post Office Box 655303 Dallas, Texas 75265