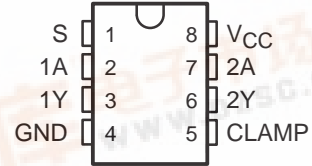


# SN75476 THRU SN75478 DUAL PERIPHERAL DRIVERS

SLRS025A – DECEMBER 1976 – REVISED NOVEMBER 1995

- Characterized for Use to 300 mA
- No Output Latch-Up at 55 V (After Conducting 300 mA)
- High-Voltage Outputs (100 V Typ)
- Output Clamp Diodes for Transient Suppression (300 mA, 70 V)
- TTL- or MOS-Compatible Diode-Clamped Inputs
- pnp Transistor Inputs Reduce Input Current
- Standard Supply Voltage
- Suitable for Hammer-Driver Applications
- Plastic DIP (P) With Copper-Lead Frame Provides Cooler Operation and Improved Reliability

D OR P PACKAGE  
(TOP VIEW)



## Function Tables

SN75476  
(each AND driver)

INPUTS		OUTPUT
A	S	Y
H	H	H
L	X	L
X	L	L

SN75477  
(each NAND driver)

INPUTS		OUTPUT
A	S	Y
H	H	L
L	X	H
X	L	H

SN75478  
(each OR driver)

INPUTS		OUTPUT
A	S	Y
H	X	H
X	H	H
L	L	L

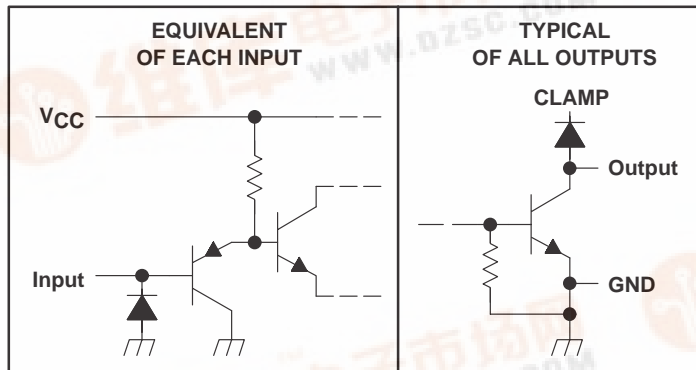
H = high level, L = low level  
X = irrelevant

## description

The SN75476 through SN75478 are dual peripheral drivers designed for use in systems that require high current, high voltage, and fast switching times. The SN75476, SN75477, and SN75478 provide AND, NAND, and OR drivers respectively. These devices have diode-clamped inputs as well as high-current, high-voltage clamp diodes on the outputs for inductive transient protection.

The SN75476, SN75477, and SN75478 drivers are characterized for operation from 0°C to 70°C.

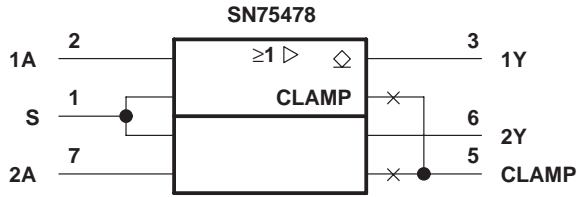
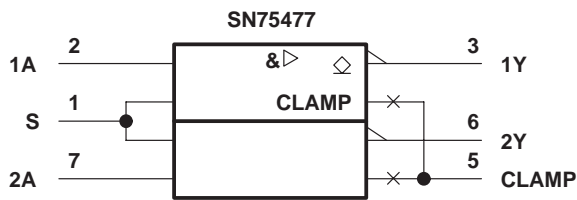
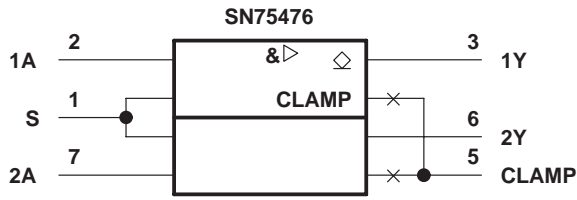
## schematics of inputs and outputs



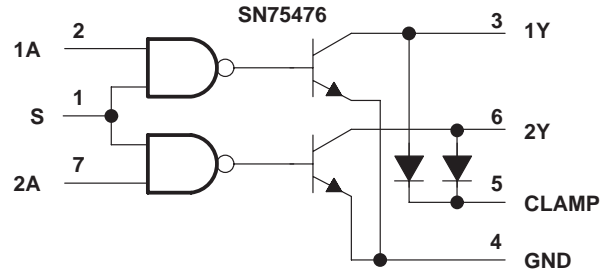
# SN75476 THRU SN75478 DUAL PERIPHERAL DRIVERS

SLRS025A – DECEMBER 1976 – REVISED NOVEMBER 1995

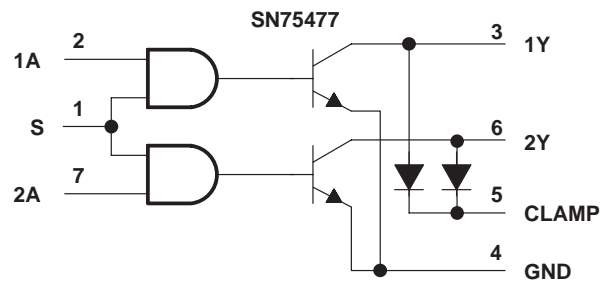
## logic symbols†



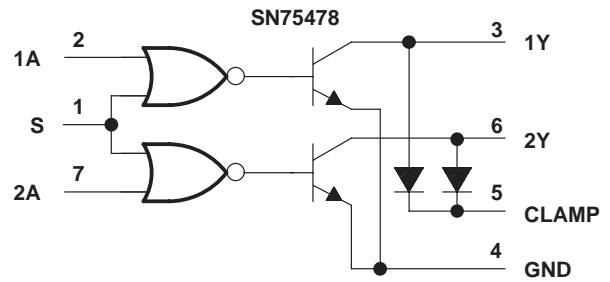
## logic diagrams (positive logic)



Positive Logic:  $Y = AS$  or  $\overline{A+S}$



Positive Logic:  $Y = \overline{AS}$  or  $\overline{A+S}$



Positive Logic:  $Y = A+S$  or  $\overline{A\overline{S}}$

† These symbols are in accordance with ANSI/IEEE Std 91-1984 and IEC publication 617-12.

# SN75476 THRU SN75478 DUAL PERIPHERAL DRIVERS

SLRS025A – DECEMBER 1976 – REVISED NOVEMBER 1995

## absolute maximum ratings over operating free-air temperature range (unless otherwise noted)

Supply voltage, $V_{CC}$ (see Note 1)	7 V
Input voltage, $V_I$	5.5 V
Continuous output current (see Note 2)	400 mA
Peak output current: $t_w \leq 10$ ms, duty cycle $\leq 50\%$	500 mA
$t_w \leq 30$ ns, duty cycle $\leq 0.002\%$	3 A
Output clamp current, $I_{OK}$	400 mA
Continuous total power dissipation	See Dissipation Rating Table
Operating free-air temperature range, $T_A$	$0^\circ\text{C}$ to $70^\circ\text{C}$
Storage temperature range, $T_{stg}$	$-65^\circ\text{C}$ to $150^\circ\text{C}$
Lead temperature 1,6 mm (1/16 inch) from case for 10 seconds	$260^\circ\text{C}$

- NOTES: 1. Voltage values are with respect to network GND.  
 2. Both halves of this dual circuit may conduct rated current simultaneously; however, power dissipation averaged over a short time interval must fall within the continuous power dissipation ratings.

**DISSIPATION RATING TABLE**

PACKAGE	$T_A \leq 25^\circ\text{C}$ POWER RATING	DERATING FACTOR ABOVE $T_A = 25^\circ\text{C}$	$T_A = 70^\circ\text{C}$ POWER RATING
D	725 mW	5.8 mW/ $^\circ\text{C}$	464 mW
P	1000 mW	8.0 mW/ $^\circ\text{C}$	640 mW

## recommended operating conditions

	MIN	NOM	MAX	UNIT
Supply voltage, $V_{CC}$	4.5	5	5.5	V
High-level input voltage, $V_{IH}$	2			V
Low-level input voltage, $V_{IL}$			0.8	V
Operating free-air temperature, $T_A$	0		70	$^\circ\text{C}$

# SN75476 THRU SN75478 DUAL PERIPHERAL DRIVERS

SLRS025A – DECEMBER 1976 – REVISED NOVEMBER 1995

## electrical characteristics over recommended operating free-air temperature range

PARAMETER		TEST CONDITIONS		MIN	TYP†	MAX	UNIT
V <sub>IK</sub>	Input clamp voltage	I <sub>I</sub> = -12 mA		-0.95	-1.5		V
V <sub>OL</sub>	Low-level output voltage	V <sub>CC</sub> = 4.5 V, V <sub>IH</sub> = 2 V, V <sub>IL</sub> = 0.8 V	I <sub>OL</sub> = 100 mA	0.16	0.3		V
			I <sub>OL</sub> = 175 mA	0.22	0.5		
			I <sub>OL</sub> = 300 mA	0.33	0.6		
V <sub>O(BR)</sub>	Output breakdown voltage	V <sub>CC</sub> = 4.5 V,	I <sub>OH</sub> = 100 μA	70	100		V
V <sub>R(K)</sub>	Output clamp reverse voltage	V <sub>CC</sub> = 4.5 V,	I <sub>R</sub> = 100 μA	70	100		V
V <sub>F(K)</sub>	Output clamp forward voltage	V <sub>CC</sub> = 4.5 V,	I <sub>F</sub> = 300 mA	0.8	1.15	1.6	V
I <sub>OH</sub>	High-level output current	V <sub>CC</sub> = 4.5 V, V <sub>IL</sub> = 0.8 V,	V <sub>IH</sub> = 2 V, V <sub>OH</sub> = 70 V		1	100	μA
I <sub>IH</sub>	High-level input current	V <sub>CC</sub> = 5.5 V,	V <sub>I</sub> = 5.5 V		0.01	10	μA
I <sub>IL</sub>	Low-level input current	A input	V <sub>CC</sub> = 5.5 V, V <sub>I</sub> = 0.8 V		-80	-110	μA
		S input			-160	-220	
I <sub>CCH</sub>	Supply current, outputs high	SN75476	V <sub>CC</sub> = 5.5 V	V <sub>I</sub> = 5 V	10	17	mA
		SN75477		V <sub>I</sub> = 0	10	17	
		SN75478		V <sub>I</sub> = 5 V	10	17	
I <sub>CCL</sub>	Supply current, outputs low	SN75476	V <sub>CC</sub> = 5.5 V	V <sub>I</sub> = 0	54	75	mA
		SN75477		V <sub>I</sub> = 5 V	54	75	
		SN75478		V <sub>I</sub> = 0	54	75	

† All typical values are at V<sub>CC</sub> = 5 V, T<sub>A</sub> = 25°C.

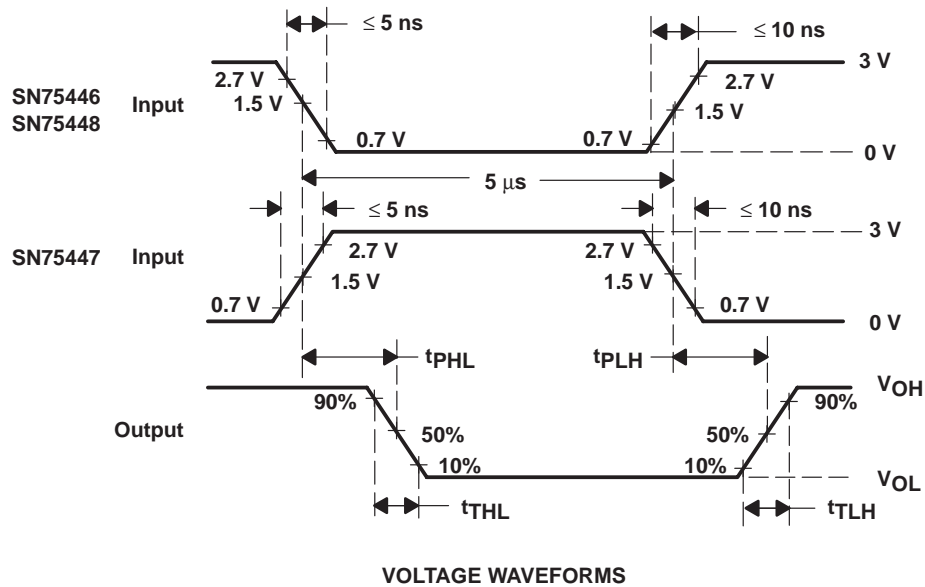
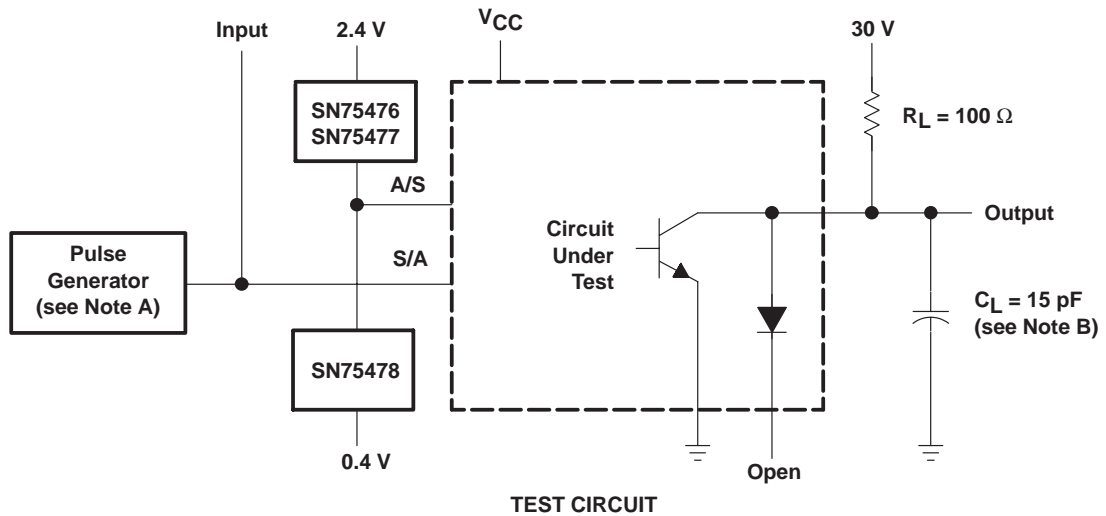
## switching characteristics, V<sub>CC</sub> = 5 V, T<sub>A</sub> = 25°C

PARAMETER		TEST CONDITIONS		MIN	TYP	MAX	UNIT
t <sub>PLH</sub>	Propagation delay time, low-to-high-level output	C <sub>L</sub> = 15 pF, R <sub>L</sub> = 100 Ω, See Figure 1			200	350	ns
t <sub>PHL</sub>	Propagation delay time, high-to-low-level output				200	350	ns
t <sub>TLH</sub>	Transition time, low-to-high-level output				50	125	ns
t <sub>THL</sub>	Transition time, high-to-low-level output				90	125	ns
V <sub>OH</sub>	High-level output voltage after switching	V <sub>S</sub> = 55 V, See Figure 2	I <sub>O</sub> ≈ 300 mA,	V <sub>S</sub> - 18			mV

# SN75476 THRU SN75478 DUAL PERIPHERAL DRIVERS

SLRS025A – DECEMBER 1976 – REVISED NOVEMBER 1995

## PARAMETER MEASUREMENT INFORMATION



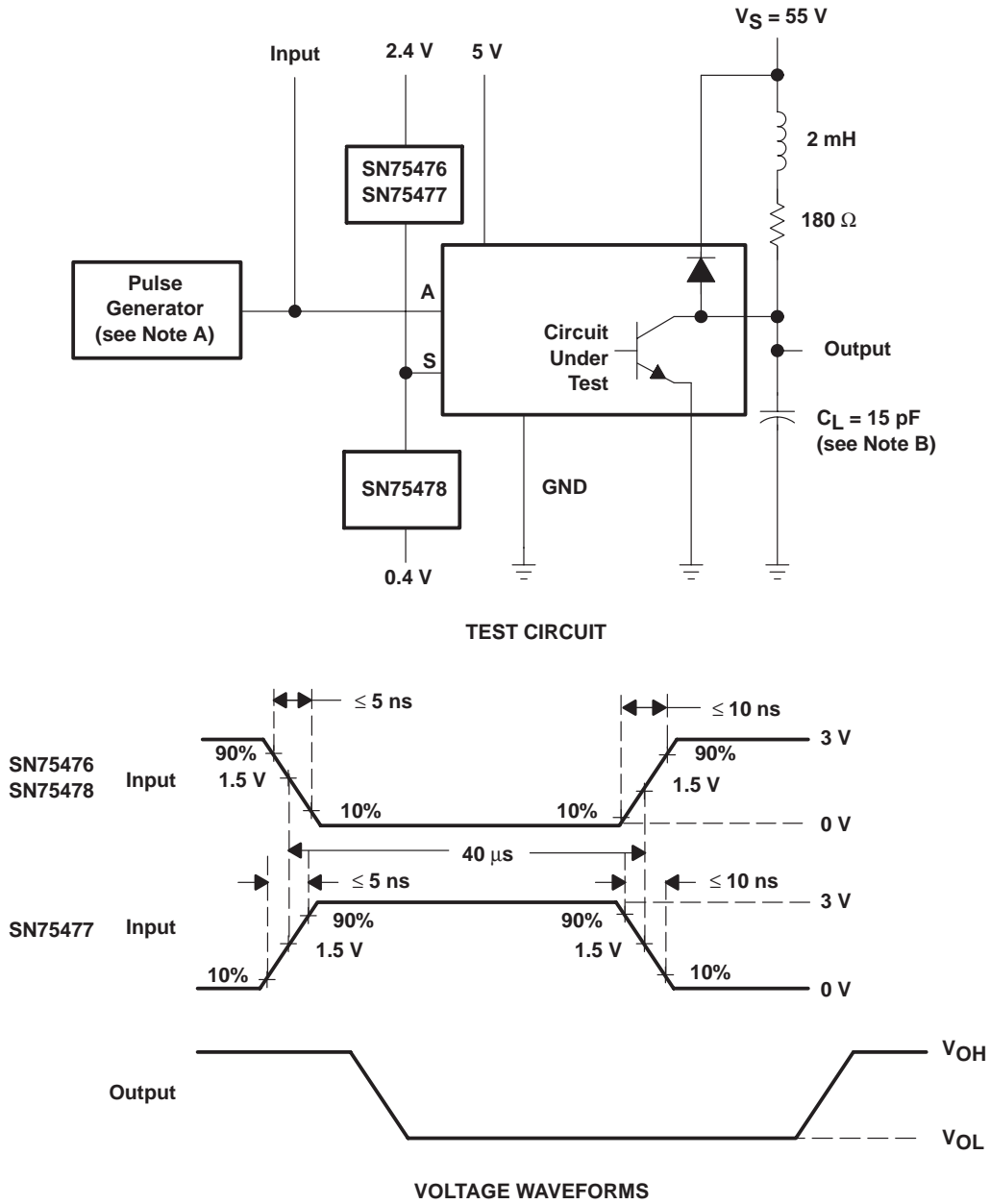
- NOTES: A. The pulse generator has the following characteristics: PRR = 100 kHz,  $Z_O = 50 \Omega$ .  
 B.  $C_L$  includes probe and jig capacitance.

**Figure 1. Test Circuit and Voltage Waveforms, Switching Characteristics**

# SN75476 THRU SN75478 DUAL PERIPHERAL DRIVERS

SLRS025A – DECEMBER 1976 – REVISED NOVEMBER 1995

## PARAMETER MEASUREMENT INFORMATION



- NOTES: A. The pulse generator has the following characteristics: PRR = 12.5 kHz,  $Z_O = 50\ \Omega$ .  
B.  $C_L$  includes probe and jig capacitance.

Figure 2. Latch-Up Test Circuit and Voltage Waveforms

## **IMPORTANT NOTICE**

Texas Instruments and its subsidiaries (TI) reserve the right to make changes to their products or to discontinue any product or service without notice, and advise customers to obtain the latest version of relevant information to verify, before placing orders, that information being relied on is current and complete. All products are sold subject to the terms and conditions of sale supplied at the time of order acknowledgement, including those pertaining to warranty, patent infringement, and limitation of liability.

TI warrants performance of its semiconductor products to the specifications applicable at the time of sale in accordance with TI's standard warranty. Testing and other quality control techniques are utilized to the extent TI deems necessary to support this warranty. Specific testing of all parameters of each device is not necessarily performed, except those mandated by government requirements.

CERTAIN APPLICATIONS USING SEMICONDUCTOR PRODUCTS MAY INVOLVE POTENTIAL RISKS OF DEATH, PERSONAL INJURY, OR SEVERE PROPERTY OR ENVIRONMENTAL DAMAGE ("CRITICAL APPLICATIONS"). TI SEMICONDUCTOR PRODUCTS ARE NOT DESIGNED, AUTHORIZED, OR WARRANTED TO BE SUITABLE FOR USE IN LIFE-SUPPORT DEVICES OR SYSTEMS OR OTHER CRITICAL APPLICATIONS. INCLUSION OF TI PRODUCTS IN SUCH APPLICATIONS IS UNDERSTOOD TO BE FULLY AT THE CUSTOMER'S RISK.

In order to minimize risks associated with the customer's applications, adequate design and operating safeguards must be provided by the customer to minimize inherent or procedural hazards.

TI assumes no liability for applications assistance or customer product design. TI does not warrant or represent that any license, either express or implied, is granted under any patent right, copyright, mask work right, or other intellectual property right of TI covering or relating to any combination, machine, or process in which such semiconductor products or services might be or are used. TI's publication of information regarding any third party's products or services does not constitute TI's approval, warranty or endorsement thereof.