

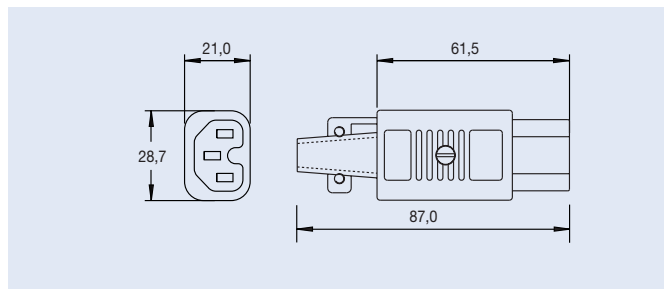
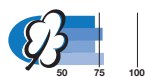
APPLIANCE COUPLERS

4781, 4784

Rewireable plugs and connectors for cable

Rewireable Connector for cable, straight entry Type 4781¹⁾

Pin temperature 120 °C
Protection class I

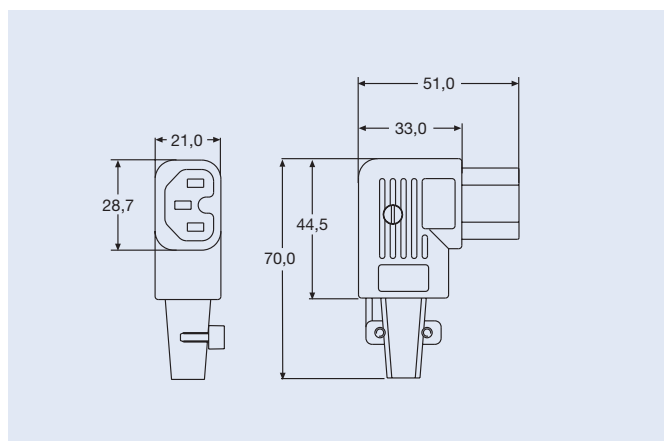
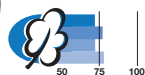


Order no	Colour	Max. cable diameter	Max. wire size
4781.0000 ¹⁾	black	8,5 mm	3 x 1 mm ² / 3 x 18 AWG
4781.0100	black	10,0 mm	3 x 2 mm ² / 3 x 14 AWG

¹⁾ substitute for type 8943.W, order No. 4300.0603 from SCHURTER AG
Cord retaining clamp see page 171

Rewireable Connector for cable, 90 ° entry Type 4784²⁾

Pin temperature 120 °C
Protection class I



Order no	Colour	Max. cable diameter	Max. wire size
4784.0000 ²⁾	black	8,5 mm	3 x 1 mm ² / 3 x 18 AWG
4784.0100	black	10,0 mm	3 x 2 mm ² / 3 x 14 AWG

²⁾ substitute for type 8943.LW, order No. 4300.0607 from SCHURTER AG

Details Types / Typen 4781, 4784

Technical data

- Rated current/voltage: 10 A/250 VAC
- Insulation resistance: > 10 MΩ (500 VDC, 1 Min.)
- Dielectric strength: 2 kV (50 Hz, 1 Min.), to accessible surfaces
- Materials:
 - Body and cable guard: Thermoplastic UL 94V-0
- Max. torques:
 - Terminal screws 0,50 Nm
 - Cable clamp screws 0,30 Nm
 - Cover screws 0,30 Nm

Features

- Pillar terminals for reliable, safe and speedy wiring
- Interlocking cover for added safety
- Captive contacts and cover screw
- Reversible clamp to suit varying cable sizes
- Body size improves the ease of wiring for larger cables

Approvals

- VDE (10 A / 250 VAC)
- UL (15 A / 250 VAC)
- CSA (15 A / 250 VAC)

Standards

IEC/EN 60320-1/C15