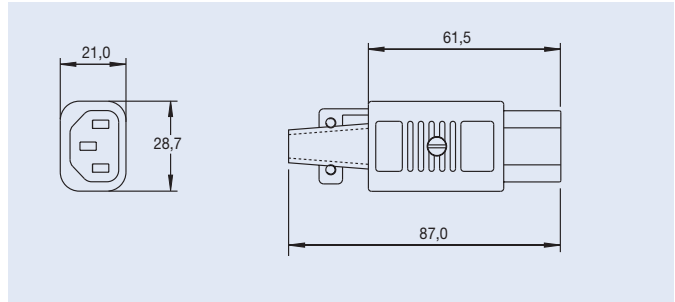
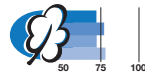


Rewireable Connector for cable, straight entry Type 4782 ¹⁾

Pin temperature 70 °C
Protection class I

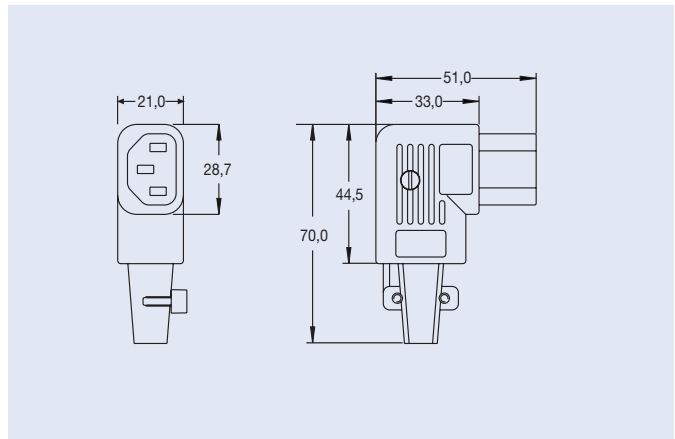
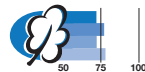


Order no	Colour	Max. cable diameter	Max. wire size
4782.0000 ¹⁾	black	8,5 mm	3 x 1 mm ² / 3 x 18 AWG
4782.0100	black	10,0 mm	3 x 2 mm ² / 3 x 14 AWG

¹⁾ substitute for type P 587, order No. 4300.0602 from SCHURTER AG
Cord retaining clamp see page 171

Rewireable Connector for cable, 90 ° entry Type 4785 ²⁾

Pin temperature 70 °C
Protection class I



Order no	Colour	Max. cable diameter	Max. wire size
4785.0000 ²⁾	black	8,5 mm	3 x 1 mm ² / 3 x 18 AWG
4785.0100	black	10,0 mm	3 x 2 mm ² / 3 x 14 AWG

²⁾ substitute for type P 587.SE, order No. 4300.0606 from SCHURTER AG

Details Types / Typen 4782, 4785

Technical data

- Rated current/voltage: 10 A/250 VAC
- Insulation resistance: > 10 MΩ (500 VDC, 1 Min.)
- Dielectric strength: 2 kV (50 Hz, 1 Min.), to accessible surfaces
- Materials:
 - Body and cable guard: Thermoplastic UL 94V-0
- Max. torques:
 - Terminal screws 0,50 Nm
 - Cable clamp screws 0,30 Nm
 - Cover screws 0,30 Nm

Features

- Pillar terminals for reliable, safe and speedy wiring
- Interlocking cover for added safety
- Captive contacts and cover screw
- Reversible clamp to suit varying cable sizes
- Body size improves the ease of wiring for larger cables

Approvals

- VDE (10 A / 250 VAC)
- UL (15 A / 250 VAC)
- CSA (15 A / 250 VAC)

Standards

IEC/EN 60320-1/C13