

SANYO	No.4857	2SC4871
		NPN Epitaxial Planar Silicon Transistor UHF to S Band Low-Noise Amp, OSC Applications

Features

- High cutoff frequency : $f_T = 10\text{GHz}$ typ.
- High gain : $|S_{21e}|^2 = 13\text{dB}$ typ ($f = 1\text{GHz}$).
- Low noise : $NF = 1.3\text{dB}$ typ ($f = 1\text{GHz}$).
- Small Cob : $Cob = 0.4\text{pF}$ typ.

Absolute Maximum Ratings at $T_a = 25^\circ\text{C}$

			unit
Collector-to-Base Voltage	V_{CB0}	16	V
Collector-to-Emitter Voltage	V_{CEO}	8	V
Emitter-to-Base Voltage	V_{EBO}	1.5	V
Collector Current	I_C	20	mA
Collector Dissipation	P_C	100	mW
Junction Temperature	T_j	150	$^\circ\text{C}$
Storage Temperature	T_{stg}	-55 to +150	$^\circ\text{C}$

Electrical Characteristics at $T_a = 25^\circ\text{C}$

			min	typ	max	unit
Collector Cutoff Current	I_{CBO}	$V_{CB} = 10\text{V}, I_E = 0$			1.0	μA
Emitter Cutoff Current	I_{EBO}	$V_{EB} = 1\text{V}, I_C = 0$			10	μA
DC Current Gain	h_{FE}	$V_{CE} = 5\text{V}, I_C = 4\text{mA}$	60*		270*	
Gain-Bandwidth Product	f_T	$V_{CE} = 5\text{V}, I_C = 4\text{mA}$		10		GHz
Output Capacitance	Cob	$V_{CB} = 10\text{V}, f = 1\text{MHz}$		0.4	0.7	pF
Forward Transfer Gain	$ S_{21e} ^2$	$V_{CE} = 5\text{V}, I_C = 7\text{mA}, f = 1\text{GHz}$	10	13		dB
Noise Figure	NF	$V_{CE} = 5\text{V}, I_C = 4\text{mA}, f = 1\text{GHz}$		1.3	2.8	dB

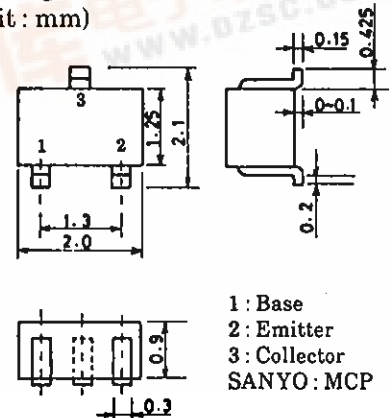
* : The 2SC4871 is classified by 4mA h_{FE} as follows :

60	3	120	90	4	180	135	5	270
----	---	-----	----	---	-----	-----	---	-----

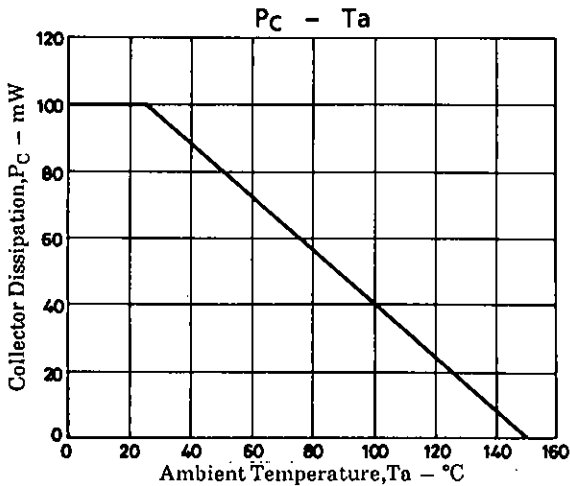
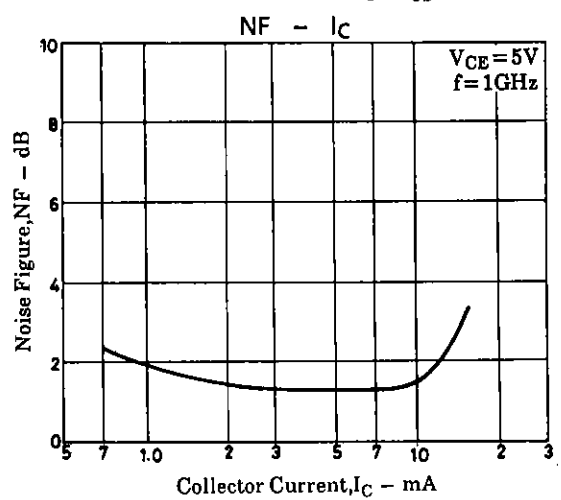
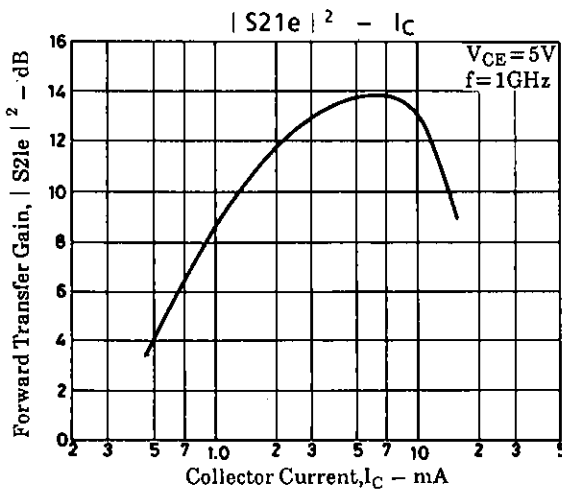
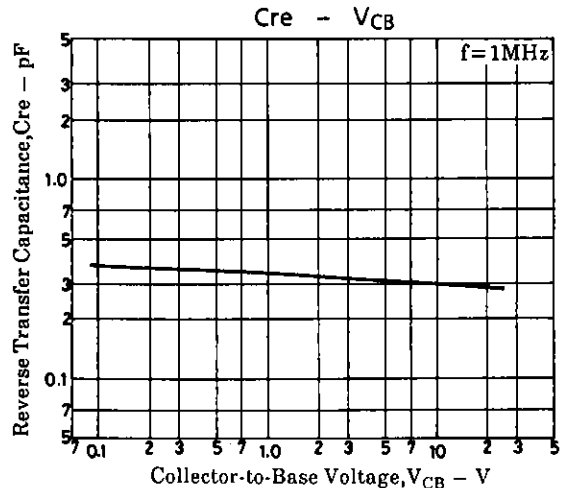
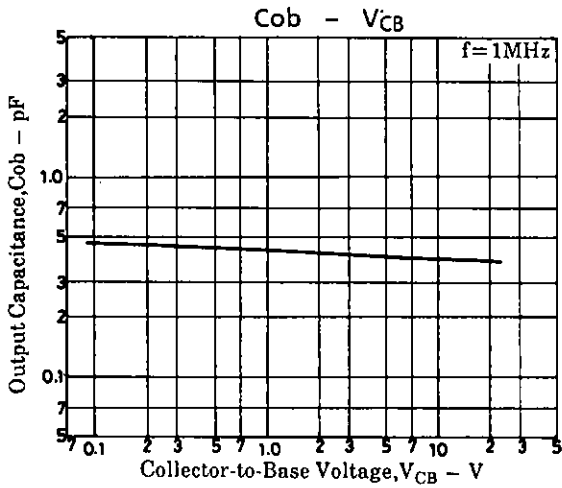
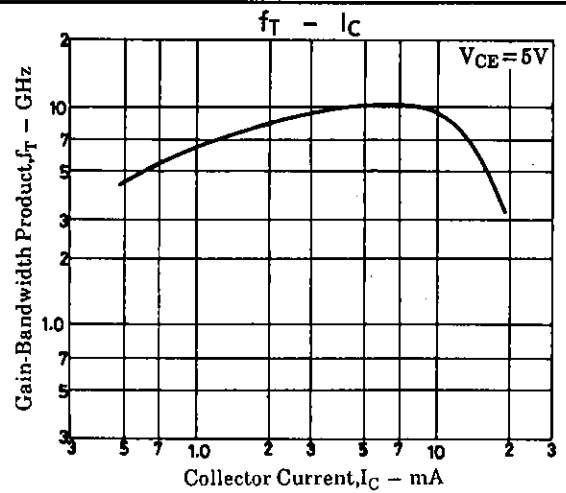
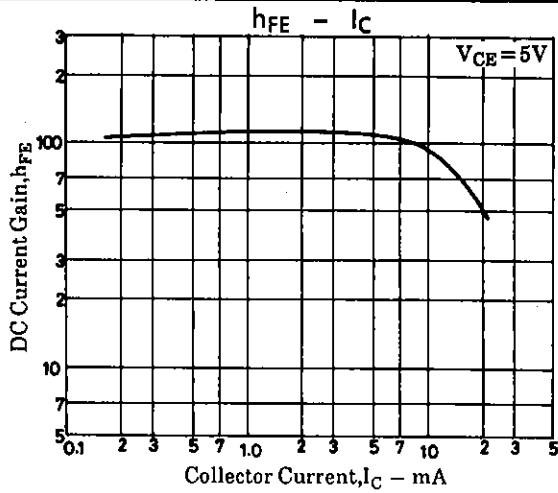
Marking : HN

h_{FE} rank : 3, 4, 5

Package Dimensions 2059A
(unit : mm)



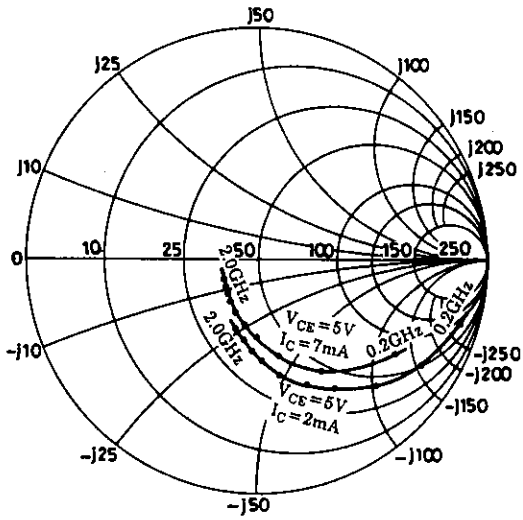
2SC4871



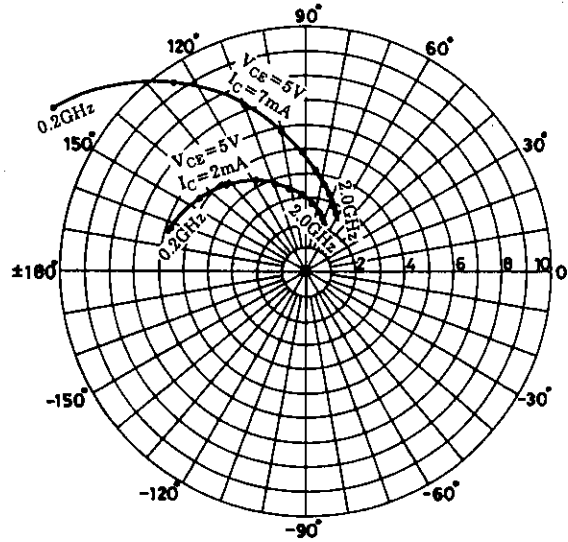
2SC4871

S Parameter

f = 200 to 2000MHz (200MHz Step)

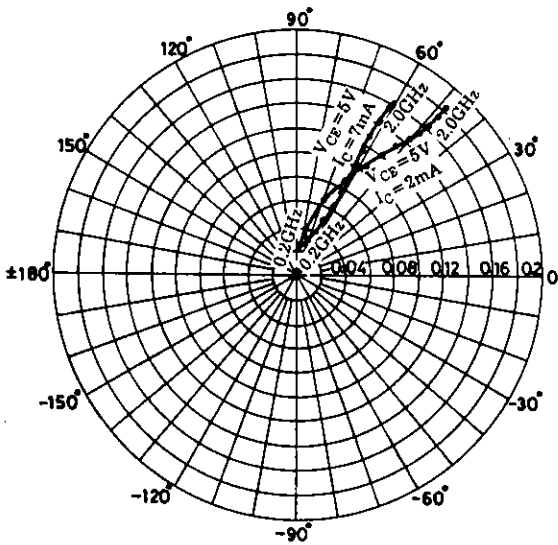


f = 200 to 2000MHz (200MHz Step)

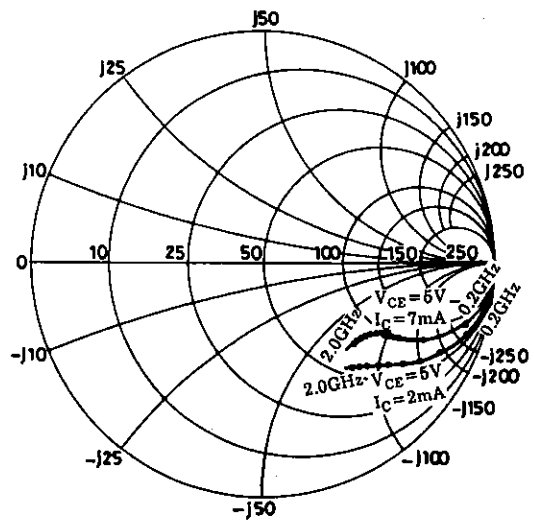


$V_{CE} = 5V$

f = 200 to 2000MHz (200MHz Step)



f = 200 to 2000MHz (200MHz Step)



2SC4871

S Parameter (Common emitter)

$V_{CE}=5V, I_C=2mA, Z_O=50\Omega$

Freq (MHz)	S ₁₁	∠S ₁₁	S ₂₁	∠S ₂₁	S ₁₂	∠S ₁₂	S ₂₂	∠S ₂₂
200	0.912	-17.6	5.764	161.5	0.034	79.0	0.974	-10.3
400	0.835	-33.0	5.282	145.5	0.065	69.9	0.919	-19.2
600	0.742	-46.9	4.753	131.2	0.088	62.8	0.850	-26.3
800	0.649	-58.9	4.268	119.4	0.107	57.9	0.789	-31.6
1000	0.578	-68.7	3.840	109.4	0.121	54.5	0.740	-35.5
1200	0.512	-78.1	3.440	100.5	0.134	52.2	0.698	-38.9
1400	0.445	-86.3	3.123	92.5	0.145	50.3	0.664	-41.6
1600	0.400	-93.0	2.836	85.2	0.154	49.2	0.638	-44.3
1800	0.359	-98.5	2.588	79.0	0.164	48.4	0.615	-46.3
2000	0.319	-106.6	2.397	73.0	0.174	47.9	0.601	-48.3

$V_{CE}=5V, I_C=7mA, Z_O=50\Omega$

Freq (MHz)	S ₁₁	∠S ₁₁	S ₂₁	∠S ₂₁	S ₁₂	∠S ₁₂	S ₂₂	∠S ₂₂
200	0.721	-35.1	12.262	147.1	0.030	72.8	0.900	-16.9
400	0.555	-59.9	9.445	124.9	0.050	64.4	0.763	-25.6
600	0.428	-77.5	7.290	110.2	0.065	61.9	0.666	-29.3
800	0.344	-89.9	5.877	100.1	0.078	61.5	0.611	-31.1
1000	0.291	-100.6	4.911	92.1	0.091	61.7	0.583	-32.5
1200	0.254	-110.9	4.223	85.1	0.104	61.5	0.563	-34.1
1400	0.221	-121.4	3.703	79.0	0.117	61.6	0.551	-35.7
1600	0.197	-128.9	3.294	73.6	0.129	61.6	0.540	-37.8
1800	0.178	-136.7	2.946	68.5	0.143	61.1	0.530	-39.7
2000	0.171	-148.6	2.692	63.8	0.157	60.7	0.529	-41.7

■ No products described or contained herein are intended for use in surgical implants, life-support systems, aerospace equipment, nuclear power control systems, vehicles, disaster/crime-prevention equipment and the like, the failure of which may directly or indirectly cause injury, death or property loss.

■ Anyone purchasing any products described or contained herein for an above-mentioned use shall:

- ① Accept full responsibility and indemnify and defend SANYO ELECTRIC CO., LTD., its affiliates, subsidiaries and distributors and all their officers and employees, jointly and severally, against any and all claims and litigation and all damages, cost and expenses associated with such use;
- ② Not impose any responsibility for any fault or negligence which may be cited in any such claim or litigation on SANYO ELECTRIC CO., LTD., its affiliates, subsidiaries and distributors or any of their officers and employees jointly or severally.

■ Information (including circuit diagrams and circuit parameters) herein is for example only; it is not guaranteed for volume production. SANYO believes information herein is accurate and reliable, but no guarantees are made or implied regarding its use or any infringements of intellectual property rights or other rights of third parties.

This catalog provide information as of April, 1995. Specifications and information herein are subject to change without notice.