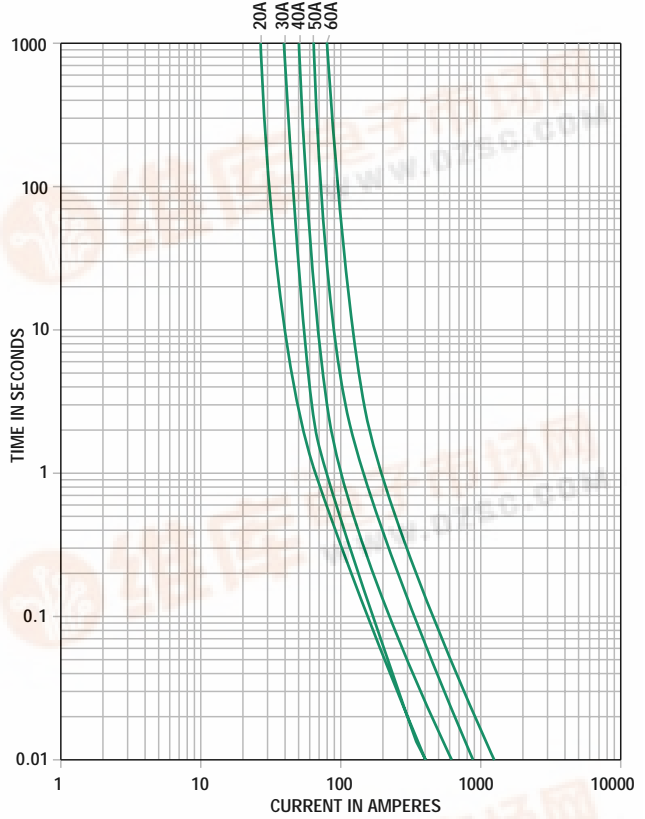
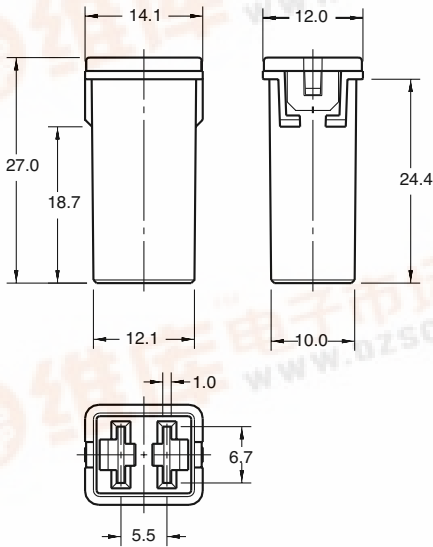


JCASE® Cartridge Fuse

The JCASE is a cartridge style fuse with female terminal design, providing both increased time delay and low voltage drop to protect high current circuits and handle inrush currents. The JCASE was designed and patented by Littelfuse.



TIME-CURRENT CHARACTERISTICS

% of Rating	Opening Time	
	Minimum	Maximum
100	100 hrs	—
135	60 s	1800 s
200	4 s	60 s
350	0.2 s	7 s
600	0.04 s	1 s

Interrupting Rating: 1000A @ 32 VDC

Voltage Rating: 32 VDC

Insertion Force: 53N max. (12 lb.)

Extraction Force: 9N min. (2 lb.)

Ambient Temp: -40°C to +125°C

JCASE CARTRIDGE FUSE TABLE

Part Number	Current Rating (A)	Housing Color	Typ. Voltage Drop at Rated Current (mV)
495020	20	Blue	106
495025	25	White	101
495030	30	Pink	91
495040	40	Green	87
495050	50	Red	88
495060	60	Yellow	87

JCASE Fuse Series Temperature Rerating Curve

