

# DATA SHEET

## **74ALVC16834A**

18-bit registered driver with  
inverted register enable (3-State)

Product specification  
Replaces datasheet 74ALVC16834 of 2000 Jan 04  
IC24 Data Handbook

2000 Mar 14

# 18-bit registered driver with inverted register enable (3-State)

## 74ALVC16834A

### FEATURES

- Wide supply voltage range of 1.2 V to 3.6 V
- Complies with JEDEC standard no. 8-1A.
- CMOS low power consumption
- Direct interface with TTL levels
- Current drive  $\pm 24$  mA at 3.0 V
- MULTIBYTE™ flow-through standard pin-out architecture
- Low inductance multiple  $V_{CC}$  and GND pins for minimum noise and ground bounce
- Output drive capability 50  $\Omega$  transmission lines @ 85°C
- Input diodes to accommodate strong drivers

### DESCRIPTION

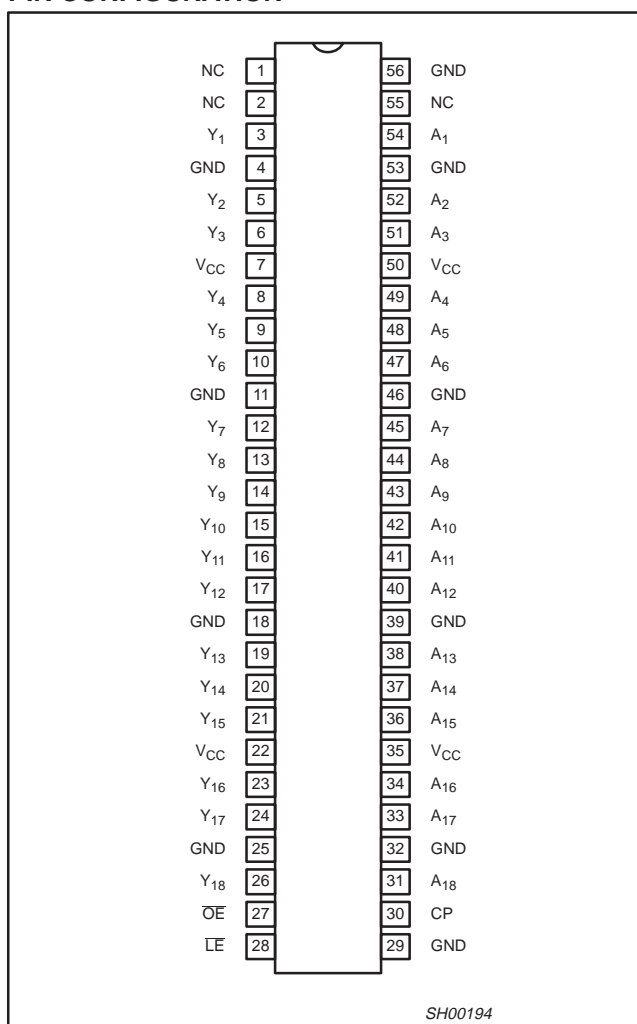
The 74ALVC16834A is an 18-bit registered driver. Data flow is controlled by active low output enable ( $\overline{OE}$ ), active low latch enable ( $\overline{LE}$ ) and clock inputs (CP).

When  $\overline{LE}$  is LOW, the A to Y data flow is transparent. When  $\overline{LE}$  is HIGH and CP is held at LOW or HIGH, the data is latched; on the LOW to HIGH transient of CP the A-data is stored in the latch/flip-flop.

When  $\overline{OE}$  is LOW the outputs are active. When  $\overline{OE}$  is HIGH, the outputs go to the high impedance OFF-state. Operation of the  $\overline{OE}$  input does not affect the state of the latch/flip-flop.

To ensure the high-impedance state during power up or power down,  $\overline{OE}$  should be tied to  $V_{CC}$  through a pullup resistor; the minimum value of the resistor is determined by the current-sinking capability of the driver.

### PIN CONFIGURATION



SH00194

### QUICK REFERENCE DATA

$V_{CC} = 0$  V;  $T_{amb} = 25^\circ\text{C}$ ;  $t_r = t_f \leq 2.5$  ns

SYMBOL	PARAMETER	CONDITIONS		TYPICAL	UNIT
$t_{PHL}/t_{PLH}$	Propagation delay An to Yn; $\overline{LE}$ to Yn; CP to Yn	$V_{CC} = 3.3$ V, $C_L = 50$ pF		2.3 2.6 2.5	ns
$f_{max}$	Maximum clock frequency	$V_{CC} = 3.3$ V, $C_L = 50$ pF		350	MHz
$C_I$	Input capacitance			4.0	pF
$C_{I/O}$	Input/Output capacitance			8.0	pF
$C_{PD}$	Power dissipation capacitance per buffer	$V_I = \text{GND to } V_{CC}^1$	transparent mode Output enabled Output disabled	13 3	pF
			Clocked mode Output enabled Output disabled	22 15	

### NOTES:

1.  $C_{PD}$  is used to determine the dynamic power dissipation ( $P_D$  in  $\mu\text{W}$ ):

$$P_D = C_{PD} \times V_{CC}^2 \times f_i + \sum (C_L \times V_{CC}^2 \times f_o)$$

where:  $f_i$  = input frequency in MHz;  $C_L$  = output load capacitance in pF;  
 $f_o$  = output frequency in MHz;  $V_{CC}$  = supply voltage in V;  $\sum (C_L \times V_{CC}^2 \times f_o)$  = sum of outputs.

# 18-bit registered driver with inverted register enable (3-State)

74ALVC16834A

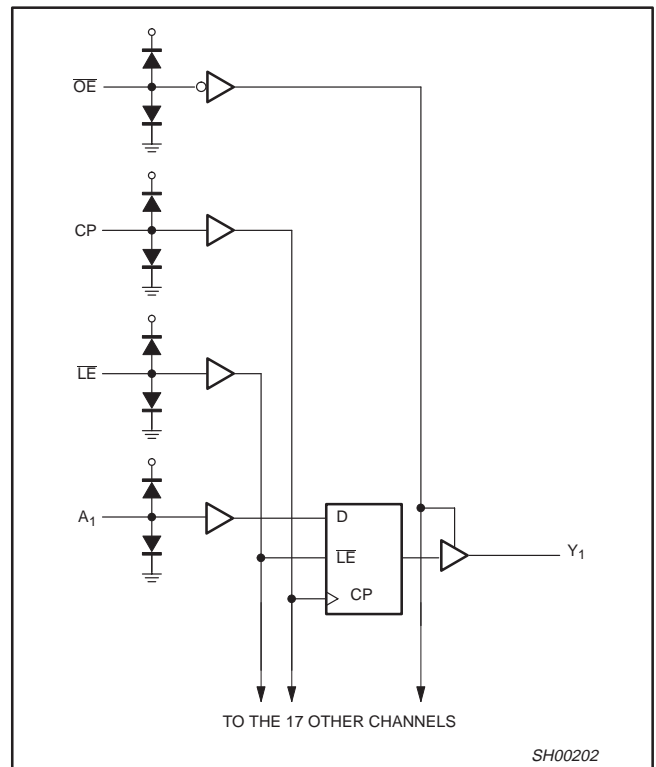
## ORDERING INFORMATION

PACKAGES	TEMPERATURE RANGE	ORDER CODE	DRAWING NUMBER
56-Pin Plastic Thin Shrink Small Outline (TSSOP) Type II	-40°C to +85°C	74ALVC16834A DGG	SOT364-1

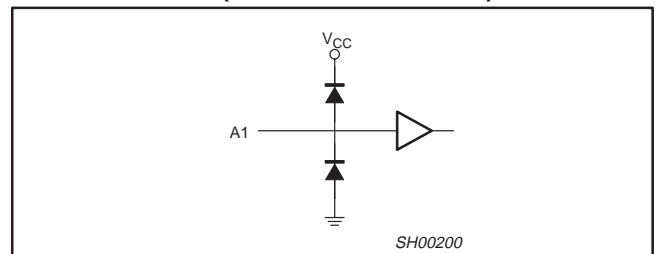
## PIN DESCRIPTION

PIN NUMBER	SYMBOL	NAME AND FUNCTION
1, 2, 55	NC	No connection
3, 5, 6, 8, 9, 10, 12, 13, 14, 15, 16, 17, 19, 20, 21, 23, 24, 26	Y <sub>1</sub> to Y <sub>18</sub>	Data outputs
4, 11, 18, 25, 32, 39, 46, 53, 56	GND	Ground (0 V)
7, 22, 35, 50	V <sub>CC</sub>	Positive supply voltage
27	$\overline{OE}$	Output enable input (active LOW)
28	$\overline{LE}$	Latch enable input (active LOW)
30	CP	Clock input
54, 52, 51, 49, 48, 47, 45, 44, 43, 42, 41, 40, 38, 37, 36, 34, 33, 31	A <sub>1</sub> to A <sub>18</sub>	Data inputs

## LOGIC SYMBOL



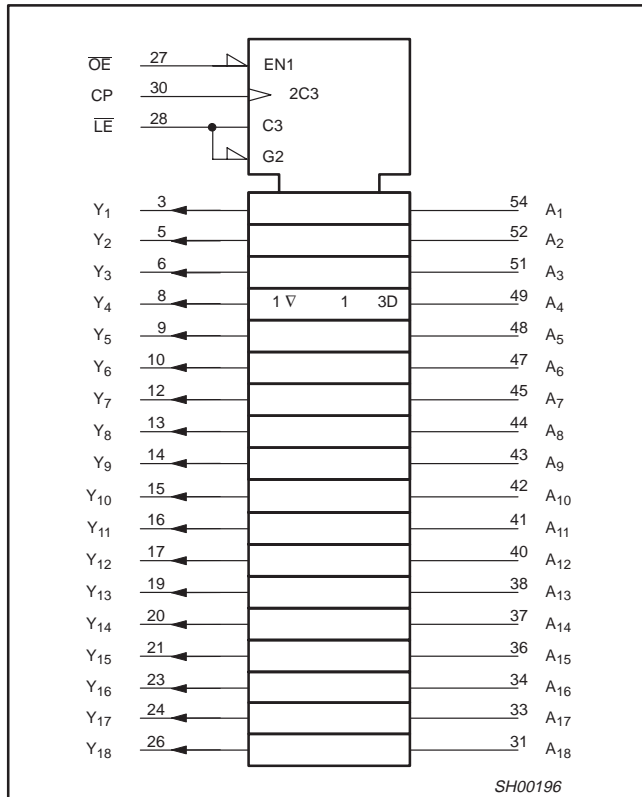
## TYPICAL INPUT (DATA OR CONTROL)



# 18-bit registered driver with inverted register enable (3-State)

74ALVC16834A

## LOGIC SYMBOL (IEEE/IEC)



## FUNCTION TABLE

INPUTS				OUTPUTS
OE	LE	CP	A	
H	X	X	X	Z
L	L	X	L	L
L	L	X	H	H
L	H	↑	L	L
L	H	↑	H	H
L	H	H	X	Y <sub>0</sub> <sup>1</sup>
L	H	L	X	Y <sub>0</sub> <sup>2</sup>

H = HIGH voltage level  
 L = LOW voltage level  
 X = Don't care  
 Z = High impedance "off" state  
 ↑ = LOW-to-HIGH level transition

### NOTES:

- Output level before the indicated steady-state input conditions were established, provided that CP is high before LE goes low.
- Output level before the indicated steady-state input conditions were established.

# 18-bit registered driver with inverted register enable (3-State)

74ALVC16834A

## RECOMMENDED OPERATING CONDITIONS

SYMBOL	PARAMETER	CONDITIONS	MIN	MAX	UNIT
$V_{CC}$	DC supply voltage 2.5 V range (for max. speed performance @ 30 pF output load)		2.3	2.7	V
	DC supply voltage 3.3 V range (for max. speed performance @ 50 pF output load)		3.0	3.6	
	DC supply voltage (for low-voltage applications)		1.2	3.6	
$V_I$	DC Input voltage range		0	$V_{CC}$	V
$V_O$	DC output voltage range		0	$V_{CC}$	V
$T_{amb}$	Operating free-air temperature range		-40	+85	°C
$t_r, t_f$	Input rise and fall times	$V_{CC} = 2.3$ to $3.0$ V $V_{CC} = 3.0$ to $3.6$ V	0 0	20 10	ns/V

## ABSOLUTE MAXIMUM RATINGS

In accordance with the Absolute Maximum Rating System (IEC 134).  
Voltages are referenced to GND (ground = 0 V).

SYMBOL	PARAMETER	CONDITIONS	RATING	UNIT
$V_{CC}$	DC supply voltage		-0.5 to +4.6	V
$I_{IK}$	DC input diode current	$V_I < 0$	-50	mA
$V_I$	DC input voltage	For control pins <sup>1</sup>	-0.5 to +4.6	V
		For data inputs <sup>1</sup>	-0.5 to $V_{CC} + 0.5$	
$I_{OK}$	DC output diode current	$V_O > V_{CC}$ or $V_O < 0$	±50	mA
$V_O$	DC output voltage	Note 1	-0.5 to $V_{CC} + 0.5$	V
$I_O$	DC output source or sink current	$V_O = 0$ to $V_{CC}$	±50	mA
$I_{GND}, I_{CC}$	DC $V_{CC}$ or GND current		±100	mA
$T_{stg}$	Storage temperature range		-65 to +150	°C
$P_{TOT}$	Power dissipation per package -plastic thin-medium-shrink (TSSOP)	For temperature range: -40 to +125 °C above +55°C derate linearly with 8 mW/K	600	mW

### NOTE:

1. The input and output voltage ratings may be exceeded if the input and output current ratings are observed.

# 18-bit registered driver with inverted register enable (3-State)

74ALVC16834A

## DC ELECTRICAL CHARACTERISTICS

Over recommended operating conditions. Voltage are referenced to GND (ground = 0 V).

SYMBOL	PARAMETER	TEST CONDITIONS	LIMITS			UNIT
			Temp = -40°C to +85°C			
			MIN	TYP <sup>1</sup>	MAX	
V <sub>IH</sub>	HIGH level Input voltage	V <sub>CC</sub> = 2.3 to 2.7 V	1.7	1.2		V
		V <sub>CC</sub> = 2.7 to 3.6 V	2.0	1.5		
V <sub>IL</sub>	LOW level Input voltage	V <sub>CC</sub> = 2.3 to 2.7 V		1.2	0.7	V
		V <sub>CC</sub> = 2.7 to 3.6 V		1.5	0.8	
V <sub>OH</sub>	HIGH level output voltage	V <sub>CC</sub> = 2.3 to 3.6 V; V <sub>I</sub> = V <sub>IH</sub> or V <sub>IL</sub> ; I <sub>O</sub> = -100 μA	V <sub>CC</sub> - 0.2	V <sub>CC</sub>		V
		V <sub>CC</sub> = 2.3 V; V <sub>I</sub> = V <sub>IH</sub> or V <sub>IL</sub> ; I <sub>O</sub> = -6 mA	V <sub>CC</sub> - 0.3	V <sub>CC</sub> - 0.08		
		V <sub>CC</sub> = 2.3 V; V <sub>I</sub> = V <sub>IH</sub> or V <sub>IL</sub> ; I <sub>O</sub> = -12 mA	V <sub>CC</sub> - 0.6	V <sub>CC</sub> - 0.26		
		V <sub>CC</sub> = 2.7 V; V <sub>I</sub> = V <sub>IH</sub> or V <sub>IL</sub> ; I <sub>O</sub> = -12 mA	V <sub>CC</sub> - 0.5	V <sub>CC</sub> - 0.14		
		V <sub>CC</sub> = 3.0 V; V <sub>I</sub> = V <sub>IH</sub> or V <sub>IL</sub> ; I <sub>O</sub> = -12 mA	V <sub>CC</sub> - 0.6	V <sub>CC</sub> - 0.09		
		V <sub>CC</sub> = 3.0 V; V <sub>I</sub> = V <sub>IH</sub> or V <sub>IL</sub> ; I <sub>O</sub> = -24 mA	V <sub>CC</sub> - 1.0	V <sub>CC</sub> - 0.28		
V <sub>OL</sub>	LOW level output voltage	V <sub>CC</sub> = 2.3 to 3.6 V; V <sub>I</sub> = V <sub>IH</sub> or V <sub>IL</sub> ; I <sub>O</sub> = 100 μA		GND	0.20	V
		V <sub>CC</sub> = 2.3 V; V <sub>I</sub> = V <sub>IH</sub> or V <sub>IL</sub> ; I <sub>O</sub> = 6 mA		0.07	0.40	V
		V <sub>CC</sub> = 2.3 V; V <sub>I</sub> = V <sub>IH</sub> or V <sub>IL</sub> ; I <sub>O</sub> = 12 mA		0.15	0.70	V
		V <sub>CC</sub> = 2.7 V; V <sub>I</sub> = V <sub>IH</sub> or V <sub>IL</sub> ; I <sub>O</sub> = 12 mA		0.14	0.40	
		V <sub>CC</sub> = 3.0 V; V <sub>I</sub> = V <sub>IH</sub> or V <sub>IL</sub> ; I <sub>O</sub> = 24 mA		0.27	0.55	
I <sub>I</sub>	Input leakage current	V <sub>CC</sub> = 2.3 to 3.6 V; V <sub>I</sub> = V <sub>CC</sub> or GND		0.1	5	μA
I <sub>OZ</sub>	3-State output OFF-state current	V <sub>CC</sub> = 2.3 to 3.6 V; V <sub>I</sub> = V <sub>IH</sub> or V <sub>IL</sub> ; V <sub>O</sub> = V <sub>CC</sub> or GND		0.1	10	μA
I <sub>CC</sub>	Quiescent supply current	V <sub>CC</sub> = 2.3 to 3.6 V; V <sub>I</sub> = V <sub>CC</sub> or GND; I <sub>O</sub> = 0		0.2	40	μA
ΔI <sub>CC</sub>	Additional quiescent supply current	V <sub>CC</sub> = 2.3 V to 3.6 V; V <sub>I</sub> = V <sub>CC</sub> - 0.6 V; I <sub>O</sub> = 0		150	750	μA

### NOTE:

1. All typical values are at T<sub>amb</sub> = 25°C.

# 18-bit registered driver with inverted register enable (3-State)

74ALVC16834A

## AC CHARACTERISTICS FOR $V_{CC} = 2.3 \text{ V TO } 2.7 \text{ V RANGE}$

GND = 0 V;  $t_r = t_f \leq 2.0 \text{ ns}$ ;  $C_L = 30 \text{ pF}$ 

SYMBOL	PARAMETER	WAVEFORM	LIMITS			UNIT
			$V_{CC} = 2.3 \text{ to } 2.7 \text{ V}$			
			MIN	TYP <sup>1</sup>	MAX	
$t_{PHL}/t_{PLH}$	Propagation delay An to Yn	1, 7	1.0	2.4	4.2	ns
	Propagation delay $\overline{LE}$ to Yn	2, 7	1.0	2.8	5.0	
	Propagation delay CP to Yn	4, 7	1.0	2.8	5.0	
$t_{PZH}/t_{PZL}$	3-State output enable time $\overline{OE}$ to Yn	6, 7	1.0	2.2	4.0	ns
$t_{PHZ}/t_{PLZ}$	3-State output disable time $\overline{OE}$ to Yn	6, 7	1.0	2.0	–	ns
$t_w$	CP pulse width HIGH or LOW	4, 7	2.0	–	–	ns
	$\overline{LE}$ pulse width HIGH	2, 7	2.0	–	–	
$t_{SU}$	Set-up time An to CP	5, 7	1.0	–	–	ns
	Set-up time An to $\overline{LE}$	3, 7	1.5	–	–	
$t_h$	Hold time An to CP	5, 7	0.6	0.2	–	ns
	Hold time An to $\overline{LE}$	3, 7	1.4	0.4	–	
$f_{max}$	Maximum clock pulse frequency	4, 7	150	300	–	MHz

**NOTE:**1. All typical values are at  $V_{CC} = 3.3 \text{ V}$  and  $T_{amb} = 25^\circ\text{C}$ .

## AC CHARACTERISTICS FOR $V_{CC} = 3.0 \text{ V TO } 3.6 \text{ V RANGE AND } V_{CC} = 2.7 \text{ V}$

GND = 0 V;  $t_r = t_f \leq 2.5 \text{ ns}$ ;  $C_L = 50 \text{ pF}$ 

SYMBOL	PARAMETER	WAVEFORM	LIMITS			LIMITS			UNIT
			$V_{CC} = 3.3 \pm 0.3 \text{ V}$			$V_{CC} = 2.7 \text{ V}$			
			MIN	TYP <sup>1, 2</sup>	MAX	MIN	TYP <sup>1</sup>	MAX	
$t_{PHL}/t_{PLH}$	Propagation delay An to Yn	1, 7	1.0	2.3	3.6	1.0	2.7	4.0	ns
	Propagation delay $\overline{LE}$ to Yn	2, 7	1.0	2.6	4.5	1.0	2.8	5.2	
	Propagation delay CP to Yn	4, 7	1.0	2.5	4.2	1.0	2.7	4.9	
$t_{PZH}/t_{PZL}$	3-State output enable time $\overline{OE}$ to Yn	6, 7	1.0	2.3	4.4	1.0	3.0	5.4	ns
$t_{PHZ}/t_{PLZ}$	3-State output disable time $\overline{OE}$ to Yn	6, 7	1.0	2.8	4.1	1.0	3.1	4.6	ns
$t_w$	CP pulse width HIGH or LOW	4, 7	2.0	–	–	2.0	–	–	ns
	$\overline{LE}$ pulse width HIGH	2, 7	2.0	–	–	2.0	–	–	
$t_{SU}$	Set-up time An to CP	5, 7	1.0	–	–	1.0	–	–	ns
	Set-up time An to $\overline{LE}$	3, 7	1.5	–	–	1.5	–	–	
$t_h$	Hold time An to CP	5, 7	0.9	0.3	–	0.6	0.3	–	ns
	Hold time An to $\overline{LE}$	3, 7	1.4	0.3	–	1.7	0.4	–	
$f_{max}$	Maximum clock pulse frequency	4, 7	150	300	–	200	350	–	MHz

**NOTES:**1. All typical values are measured  $T_{amb} = 25^\circ\text{C}$ .2. Typical value is measured at  $V_{CC} = 3.3 \text{ V}$

# 18-bit registered driver with inverted register enable (3-State)

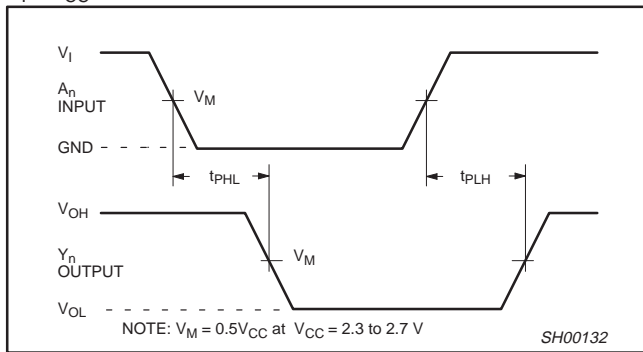
74ALVC16834A

## AC WAVEFORMS FOR $V_{CC} = 3.0\text{ V TO } 3.6\text{ V AND } V_{CC} = 2.7\text{ V RANGE}$

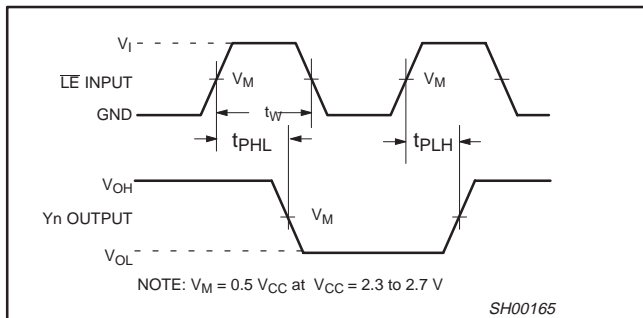
$V_M = 1.5 V_{CC}$   
 $V_X = V_{OL} + 0.3\text{ V}$   
 $V_Y = V_{OH} - 0.3\text{ V}$   
 $V_{OL}$  and  $V_{OH}$  are the typical output voltage drop that occur with the output load.  
 $V_I = 2.7\text{ V}$

## AC WAVEFORMS FOR $V_{CC} = 2.3\text{ V TO } 2.7\text{ V AND } V_{CC} < 2.3\text{ V RANGE}$

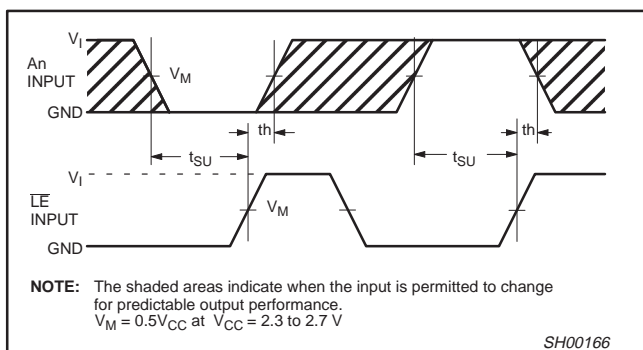
$V_M = 0.5\text{ V}$   
 $V_X = V_{OL} + 0.15\text{ V}$   
 $V_Y = V_{OH} - 0.15\text{ V}$   
 $V_{OL}$  and  $V_{OH}$  are the typical output voltage drop that occur with the output load.  
 $V_I = V_{CC}$



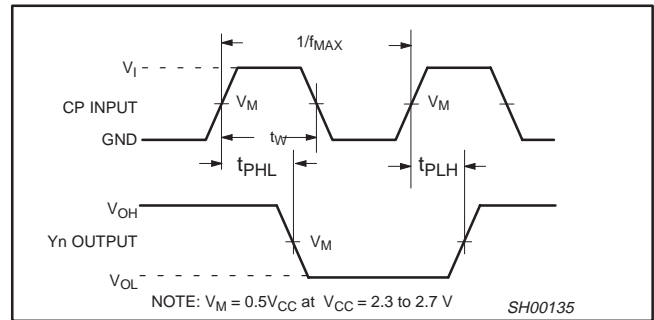
Waveform 1. Input (An) to output (Yn) propagation delay



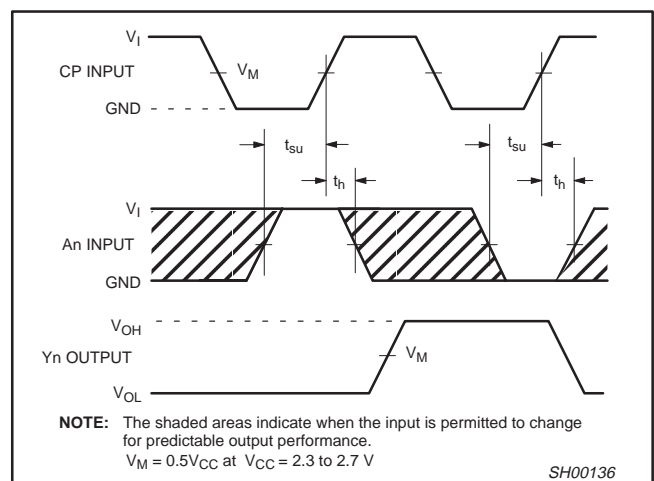
Waveform 2. Latch enable input (LE) pulse width, the latch enable input to output (Yn) propagation delays.



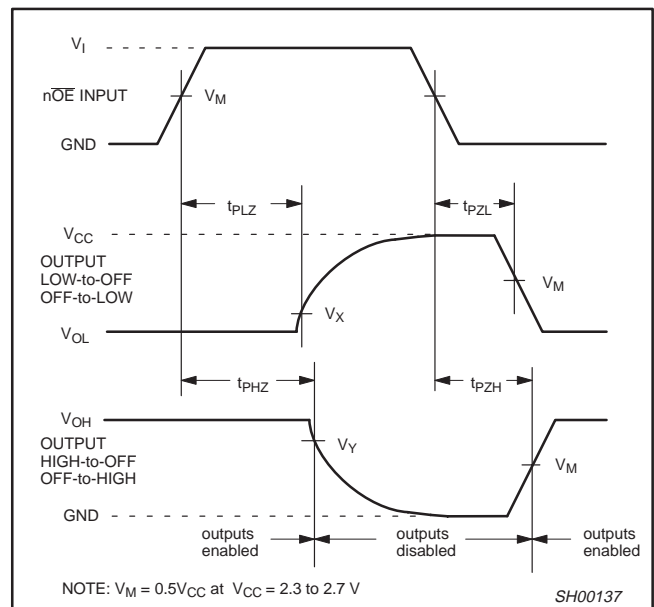
Waveform 3. Data set-up and hold times for the An input to the LE input



Waveform 4. The clock (CP) to Yn propagation delays, the clock pulse width and the maximum clock frequency.



Waveform 5. Data set-up and hold times for the An input to the clock CP input



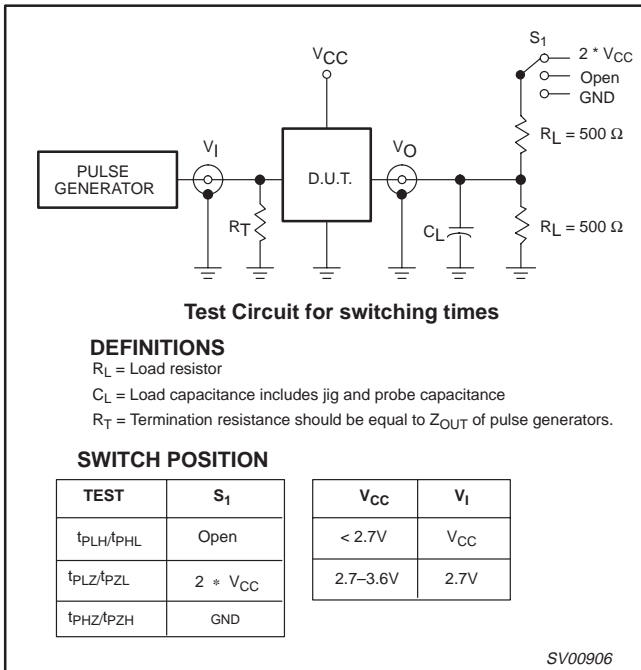
Waveform 6. 3-State enable and disable times



# 18-bit registered driver with inverted register enable (3-State)

74ALVC16834A

## TEST CIRCUIT



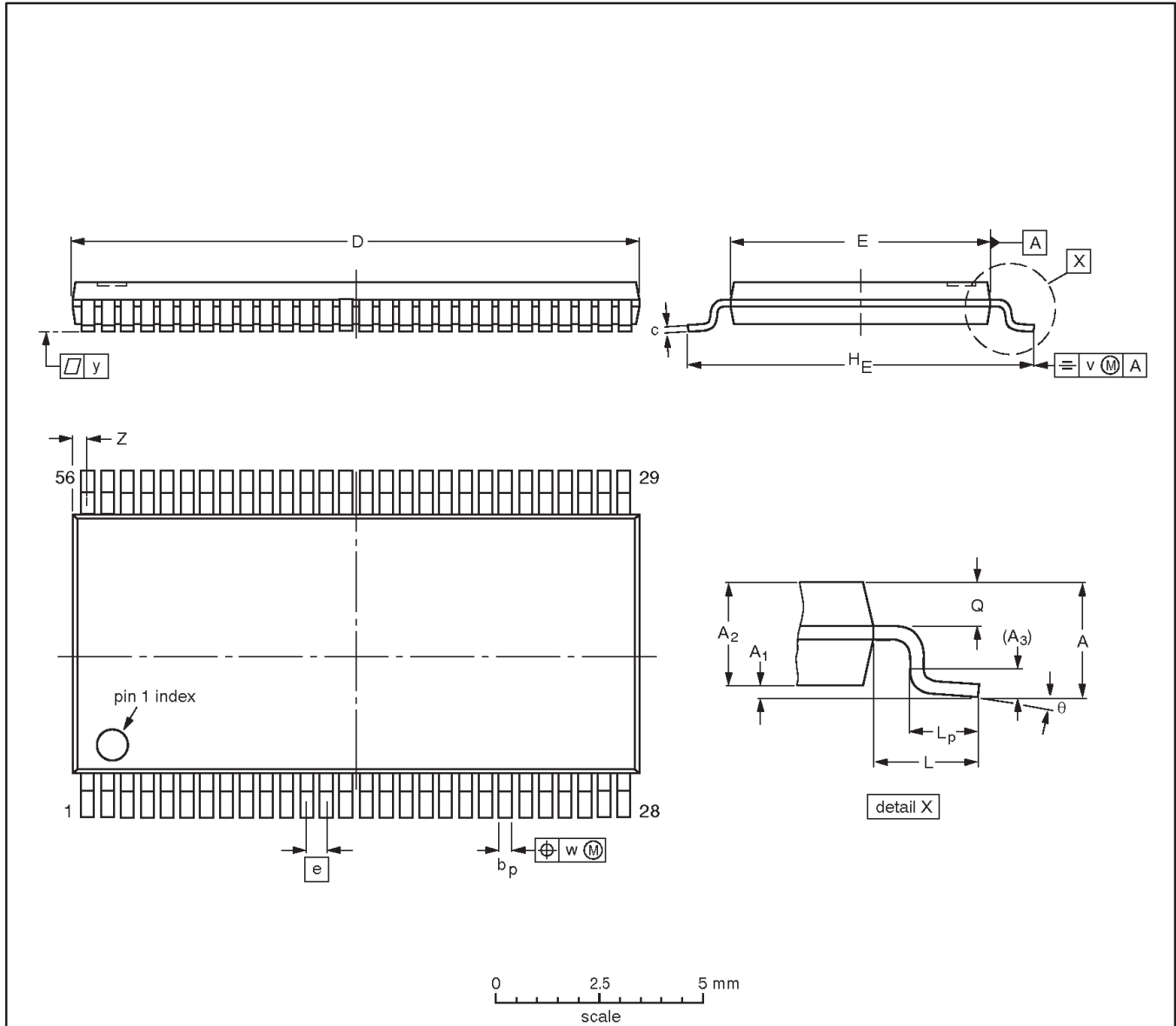
Waveform 7. Load circuitry for switching times

# 18-bit registered driver with inverted register enable (3-State)

## 74ALVC16834A

**TSSOP56: plastic thin shrink small outline package; 56 leads; body width 6.1 mm**

**SOT364-1**



**DIMENSIONS (mm are the original dimensions).**

UNIT	A max.	A <sub>1</sub>	A <sub>2</sub>	A <sub>3</sub>	b <sub>p</sub>	c	D <sup>(1)</sup>	E <sup>(2)</sup>	e	H <sub>E</sub>	L	L <sub>p</sub>	Q	v	w	y	Z	θ
mm	1.2	0.15 0.05	1.05 0.85	0.25	0.28 0.17	0.2 0.1	14.1 13.9	6.2 6.0	0.5	8.3 7.9	1.0	0.8 0.4	0.50 0.35	0.25	0.08	0.1	0.5 0.1	8° 0°

**Notes**

1. Plastic or metal protrusions of 0.15 mm maximum per side are not included.
2. Plastic interlead protrusions of 0.25 mm maximum per side are not included.

OUTLINE VERSION	REFERENCES				EUROPEAN PROJECTION	ISSUE DATE
	IEC	JEDEC	EIAJ			
SOT364-1		MO-153				95-02-10 99-12-27

---

18-bit registered driver with inverted register enable  
(3-State)

---

74ALVC16834A

**NOTES**

# 18-bit registered driver with inverted register enable (3-State)

74ALVC16834A

## Data sheet status

Data sheet status	Product status	Definition [1]
Objective specification	Development	This data sheet contains the design target or goal specifications for product development. Specification may change in any manner without notice.
Preliminary specification	Qualification	This data sheet contains preliminary data, and supplementary data will be published at a later date. Philips Semiconductors reserves the right to make changes at any time without notice in order to improve design and supply the best possible product.
Product specification	Production	This data sheet contains final specifications. Philips Semiconductors reserves the right to make changes at any time without notice in order to improve design and supply the best possible product.

[1] Please consult the most recently issued datasheet before initiating or completing a design.

## Definitions

**Short-form specification** — The data in a short-form specification is extracted from a full data sheet with the same type number and title. For detailed information see the relevant data sheet or data handbook.

**Limiting values definition** — Limiting values given are in accordance with the Absolute Maximum Rating System (IEC 134). Stress above one or more of the limiting values may cause permanent damage to the device. These are stress ratings only and operation of the device at these or at any other conditions above those given in the Characteristics sections of the specification is not implied. Exposure to limiting values for extended periods may affect device reliability.

**Application information** — Applications that are described herein for any of these products are for illustrative purposes only. Philips Semiconductors make no representation or warranty that such applications will be suitable for the specified use without further testing or modification.

## Disclaimers

**Life support** — These products are not designed for use in life support appliances, devices or systems where malfunction of these products can reasonably be expected to result in personal injury. Philips Semiconductors customers using or selling these products for use in such applications do so at their own risk and agree to fully indemnify Philips Semiconductors for any damages resulting from such application.

**Right to make changes** — Philips Semiconductors reserves the right to make changes, without notice, in the products, including circuits, standard cells, and/or software, described or contained herein in order to improve design and/or performance. Philips Semiconductors assumes no responsibility or liability for the use of any of these products, conveys no license or title under any patent, copyright, or mask work right to these products, and makes no representations or warranties that these products are free from patent, copyright, or mask work right infringement, unless otherwise specified.

Philips Semiconductors  
811 East Arques Avenue  
P.O. Box 3409  
Sunnyvale, California 94088-3409  
Telephone 800-234-7381

© Copyright Philips Electronics North America Corporation 2000  
All rights reserved. Printed in U.S.A.

Date of release: 02-00

Document order number:

9397-750-06957

*Let's make things better.*

Copyright © Each Manufacturing Company.

All Datasheets cannot be modified without permission.

This datasheet has been download from :

[www.AllDataSheet.com](http://www.AllDataSheet.com)

100% Free DataSheet Search Site.

Free Download.

No Register.

Fast Search System.

[www.AllDataSheet.com](http://www.AllDataSheet.com)