



Low-Cost, Ultra-Small, Single/Dual/Quad Single-Supply Comparators

MAX9030/MAX9031/MAX9032/MAX9034

General Description

The MAX9030/MAX9031/MAX9032/MAX9034 single/dual/quad comparators are optimized for single-supply applications from +2.5V to +5.5V but can also be operated from dual supplies. These comparators have a 188ns propagation delay and consume 35µA of supply current per comparator over the -40°C to +125°C operating temperature range. The combination of low-power, single-supply operation down to +2.5V, and ultra-small footprint makes these devices ideal for portable applications.

The MAX9030 is a low-cost single comparator with shutdown. The MAX9031, MAX9032, and MAX9034 are low-cost single, dual, and quad comparators without shutdown, respectively. The comparators' 4mV of built-in hysteresis provides noise immunity and prevents oscillations even with a slow-moving input signal. The input common-mode range extends from the negative supply to within 1.1V of the positive supply. The design of the comparator output stage substantially reduces switching current during output transitions, virtually eliminating power-supply glitches.

The MAX9030 single comparator with shutdown is available in the space-saving 6-pin SC70 and SOT23 packages. The MAX9031 single comparator is available in tiny 5-pin SC70 and SOT23 packages. The MAX9032 dual comparator is available in 8-pin SOT23 and µMAX packages, and the MAX9034 quad comparator is available in a 14-pin TSSOP package.

Applications

- | | |
|-------------------------|--|
| Battery-Powered | Digital Line Receivers |
| Portable Systems | Keyless Entry Systems |
| Mobile Communications | Threshold Detectors/
Discriminators |
| Sensor Signal Detection | |
| Photodiode Preamps | |

Features

- ◆ Low-Cost Solution Available in Space-Saving SC70 Packages (MAX9030/MAX9031)
- ◆ +2.5 to +5.5V Single-Supply Voltage Range
- ◆ Comparator Output Swings Rail-to-Rail®
- ◆ Internal 4mV Comparator Hysteresis
- ◆ 188ns Propagation Delay
- ◆ Low 35µA Supply Current
- ◆ No Phase Reversal for Overdriven Inputs
- ◆ Space-Saving Packages
 - 5-Pin SC70 (MAX9031)
 - 6-Pin SC70 (MAX9030)
 - 8-Pin SOT23 (MAX9032)
 - 14-Pin TSSOP (MAX9034)

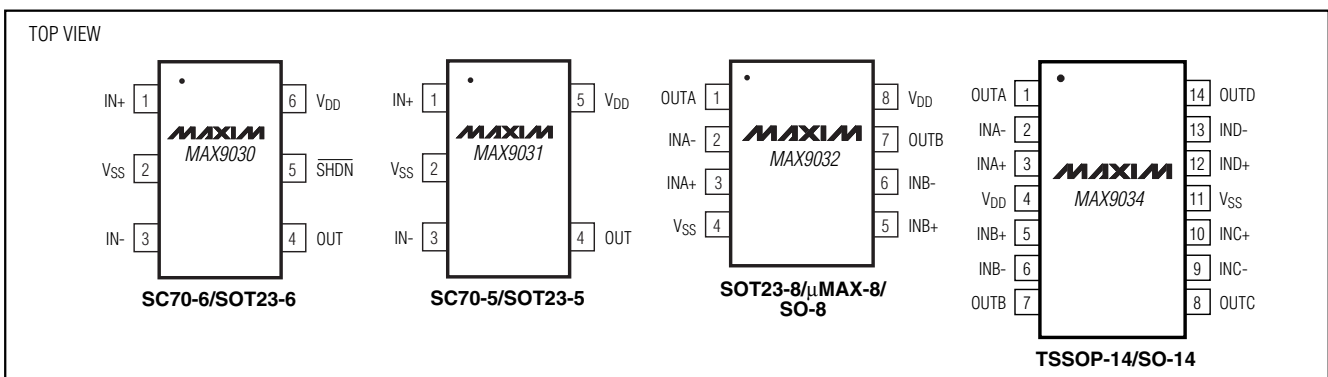
Ordering Information

PART	TEMP. RANGE	PIN-PACKAGE
MAX9030AXT-T	-40°C to +125°C	6 SC70
MAX9030AUT-T	-40°C to +125°C	6 SOT23
MAX9031AXK-T	-40°C to +125°C	5 SC70
MAX9031AUK-T	-40°C to +125°C	5 SOT23
MAX9032AKA-T	-40°C to +125°C	8 SOT23
MAX9032AUA*	-40°C to +125°C	8 µMAX
MAX9032ASA	-40°C to +125°C	8 SO
MAX9034AUD	-40°C to +125°C	14 TSSOP
MAX9034ASD	-40°C to +125°C	14 SO

*Future product—contact factory for availability.

Typical Application Circuit appears at end of data sheet.

Pin Configurations



Rail-to-Rail is a registered trademark of Nippon Motorola, Ltd.



For price, delivery, and to place orders, please contact Maxim Distribution at 1-888-629-4642, or visit Maxim's website at www.maxim-ic.com.

Low-Cost, Ultra-Small, Single/Dual/Quad Single-Supply Comparators

ABSOLUTE MAXIMUM RATINGS

Supply Voltage (V _{DD} to V _{SS})-0.3V to +6V	8-Pin SOT23 (derate 9.1mW/°C above +70°C)727mW
Voltage Inputs (IN+, IN- to V _{SS})-0.3V to (V _{DD} + 0.3V)	8-Pin μMAX (derate 4.5mW/°C above +70°C)362mW
Differential Input Voltage (IN+ to IN-)+6.6V	8-Pin SO (derate 5.88mW/°C above +70°C)471mW
Output Short-Circuit		14-Pin TSSOP (derate 9.1mW/°C above +70°C)727mW
Duration2s to Either V _{DD} or V _{SS}	14-Pin SO (derate 8.33mW/°C above +70°C)667mW
Current into Any Pin20mA	Operating Temperature Range	
Continuous Power Dissipation (T _A = +70°C)	Automotive Application-40°C to +125°C
5-Pin SC70 (derate 3.1mW/°C above +70°C)247mW	Junction Temperature+150°C
5-Pin SOT23 (derate 7.1mW/°C above +70°C)571mW	Storage Temperature Range-65°C to +150°C
6-Pin SC70 (derate 3.1mW/°C above +70°C)245mW	Lead Temperature (soldering, 10s)+300°C
6-Pin SOT23 (derate 8.7mW/°C above +70°C)696mW		

Stresses beyond those listed under "Absolute Maximum Ratings" may cause permanent damage to the device. These are stress ratings only, and functional operation of the device at these or any other conditions beyond those indicated in the operational sections of the specifications is not implied. Exposure to absolute maximum rating conditions for extended periods may affect device reliability.

ELECTRICAL CHARACTERISTICS

(V_{DD} = +5V, V_{SS} = 0, V_{CM} = 0, V_{SHDN} = +5V (Note 1), T_A = -40°C to +125°C, unless otherwise noted. Typical values are at T_A = +25°C.) (Note 2)

PARAMETER	SYMBOL	CONDITIONS	MIN	TYP	MAX	UNITS
Operating Voltage Range	V _{DD}	Guaranteed by PSRR test	2.5		5.5	V
Supply Current per Comparator	I _{DD}			35	55	μA
Supply Current in Shutdown		V _{SHDN} = 0 (Note 1)		0.05	1	μA
Shutdown Input Bias Current		V _{SHDN} = 0 to V _{DD} (Note 1)		0.1	2.5	μA
Shutdown Logic High		(Note 1)	0.7 × V _{DD}			V
Shutdown Logic Low		(Note 1)			0.3 × V _{DD}	V
Input Offset Voltage	V _{OS}	(Note 3)		±1	±5	mV
Input Offset Voltage Temperature Coefficient	TCV _{OS}			±1		μV/°C
Hysteresis		(Note 4)		4		mV
Input Bias Current	I _{BIAS}			8	80	nA
Input Offset Current	I _{OS}			±2	±60	nA
Common-Mode Voltage Range	V _{CM}	Guaranteed by CMRR test	V _{SS}		V _{DD} - 1.1	V
Common-Mode Rejection Ratio	CMRR	V _{SS} ≤ V _{CM} ≤ (V _{DD} - 1.1V), V _{DD} = +5.5V	72	100		dB
Power-Supply Rejection Ratio	PSRR	V _{DD} = +2.5V to +5.5V	72	100		dB

Low-Cost, Ultra-Small, Single/Dual/Quad Single-Supply Comparators

MAX9030/MAX9031/MAX9032/MAX9034

ELECTRICAL CHARACTERISTICS (continued)

($V_{DD} = +5V$, $V_{SS} = 0$, $V_{CM} = 0$, $V_{SHDN} = +5V$ (Note 1), $T_A = -40^{\circ}C$ to $+125^{\circ}C$, unless otherwise noted. Typical values are at $T_A = +25^{\circ}C$.) (Note 2)

PARAMETER	SYMBOL	CONDITIONS	MIN	TYP	MAX	UNITS
Output Voltage-Swing	V_{OL} , V_{OH}	$V_{OH} = V_{DD} - V_{OUT}$, $(V_{IN+} - V_{IN-}) \geq 20mV$	$I_{SOURCE} = 10\mu A$	2		mV
			$I_{SOURCE} = 4mA$	165	400	
		$V_{OL} = V_{OUT} - V_{SS}$, $(V_{IN-} - V_{IN+}) \geq 20mV$	$I_{SINK} = 10\mu A$	2		
			$I_{SINK} = 4mA$	165	400	
Output Short-Circuit Current	I_{SC}		45			mA
Shutdown Mode Output Leakage		$V_{SHDN} \leq (0.3 \times V_{DD})$, $V_{OUT} = 0$ to V_{DD} (Note 1)		± 0.01	± 3.5	μA
Propagation Delay	t_{PD+} , t_{PD-}	$R_L = 10k\Omega$, $C_L = 15pF$ (Note 5)	$V_{OD} = 10mV$	228		ns
			$V_{OD} = 100mV$	188		
Rise/Fall-Time	t_R , t_F	$V_{DD} = +5V$, $R_L = 10k\Omega$, $C_L = 15pF$ (Note 6)		20		ns
Shutdown Delay Time ON/OFF		(Note 1)		40		ns
Shutdown Delay Time OFF/ON		(Note 1)		400		ns
Power-On Time		$R_L = 10k\Omega$, $C_L = 15pF$		200		ns
Maximum Capacitive Load	C_L	No sustained oscillations		150		pF

Note 1: MAX9030 only.

Note 2: All devices are production tested at $+25^{\circ}C$. All temperature limits are guaranteed by design.

Note 3: Comparator Input Offset is defined as the center of the hysteresis zone.

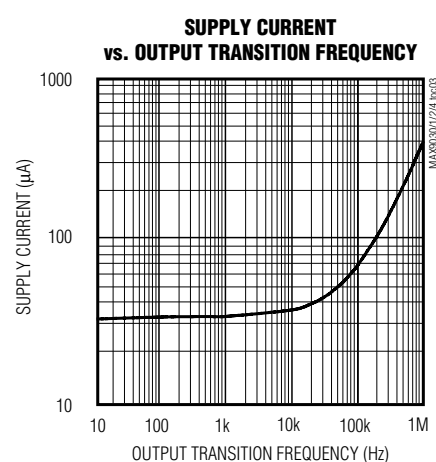
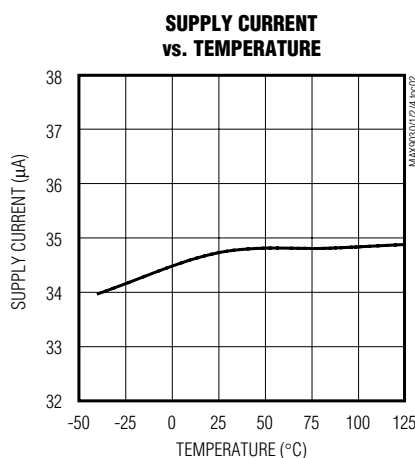
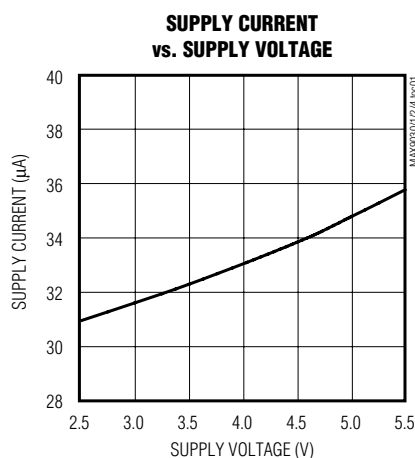
Note 4: Hysteresis is defined as the difference of the trip points required to change comparator output states.

Note 5: V_{OD} is the overdrive that is beyond the offset and hysteresis-determined trip points.

Note 6: Rise and fall times are measured between 10% and 90% at OUT.

Typical Operating Characteristics

($V_{DD} = +5V$, $V_{SS} = 0$, $V_{CM} = 0$, $R_L = 10k\Omega$, $C_L = 15pF$, $V_{OD} = 100mV$, $T_A = +25^{\circ}C$, unless otherwise noted.)

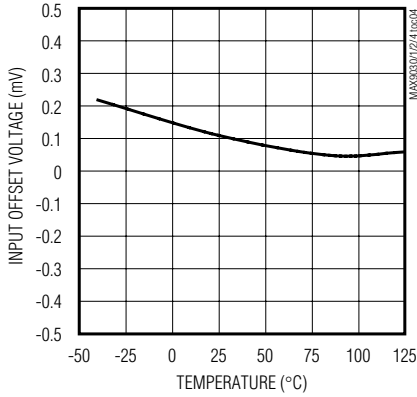


Low-Cost, Ultra-Small, Single/Dual/Quad Single-Supply Comparators

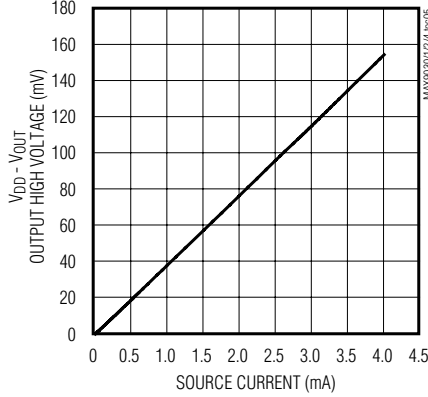
Typical Operating Characteristics (continued)

($V_{DD} = +5V$, $V_{SS} = 0$, $V_{CM} = 0$, $R_L = 10k\Omega$, $C_L = 15pF$, $V_{OD} = 100mV$, $T_A = +25^\circ C$, unless otherwise noted.)

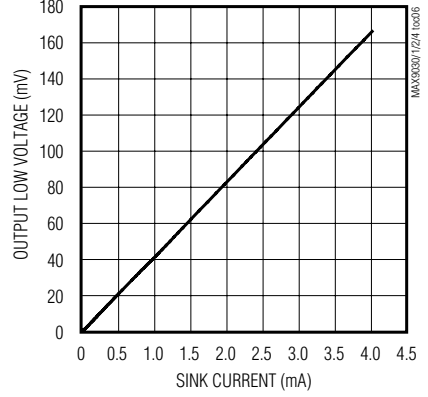
INPUT OFFSET VOLTAGE vs. TEMPERATURE



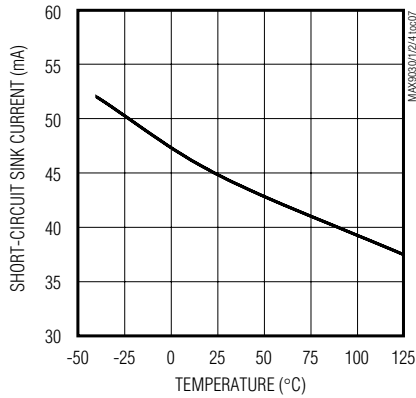
OUTPUT HIGH VOLTAGE vs. SOURCE CURRENT



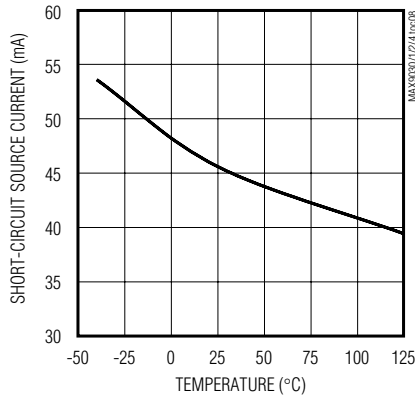
OUTPUT LOW VOLTAGE vs. SINK CURRENT



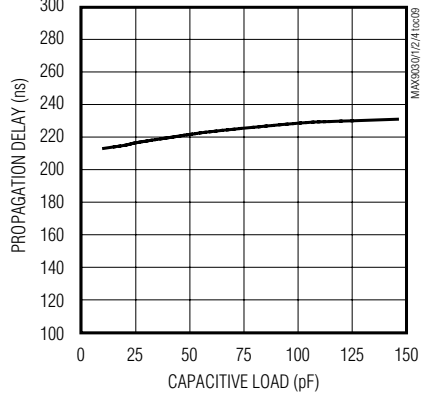
OUTPUT SHORT-CIRCUIT (SINK) CURRENT vs. TEMPERATURE



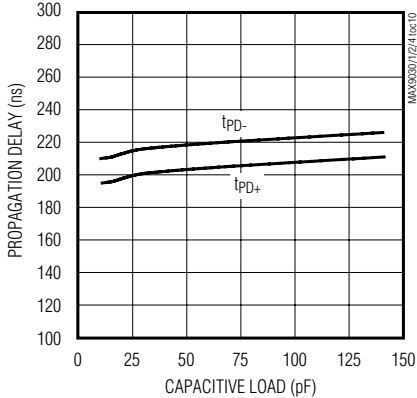
OUTPUT SHORT-CIRCUIT (SOURCE) CURRENT vs. TEMPERATURE



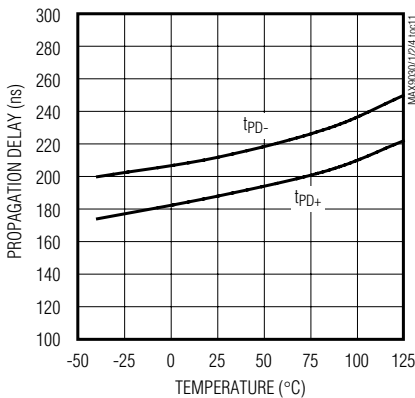
PROPAGATION DELAY vs. CAPACITIVE LOAD ($V_{DD} = 2.7V$)



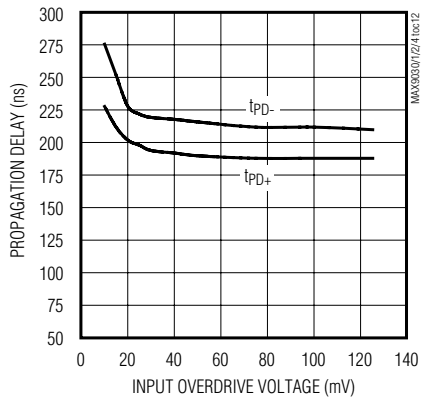
PROPAGATION DELAY vs. CAPACITIVE LOAD ($V_{DD} = +5V$)



PROPAGATION DELAY vs. TEMPERATURE



PROPAGATION DELAY vs. INPUT OVERDRIVE VOLTAGE



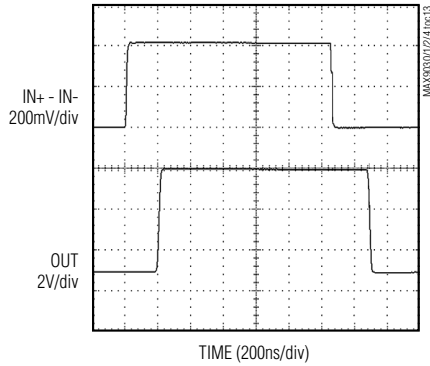
Low-Cost, Ultra-Small, Single/Dual/Quad Single-Supply Comparators

Typical Operating Characteristics (continued)

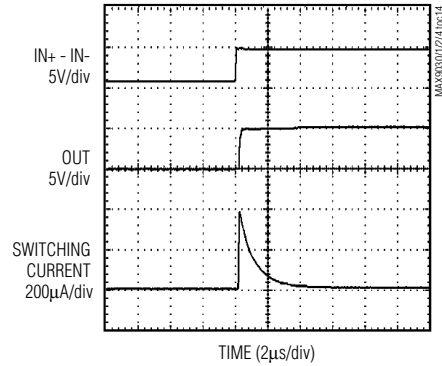
($V_{DD} = +5V$, $V_{SS} = 0$, $V_{CM} = 0$, $R_L = 10k\Omega$, $C_L = 15pF$, $V_{OD} = 100mV$, $T_A = +25^\circ C$, unless otherwise noted.)

MAX9030/MAX9031/MAX9032/MAX9034

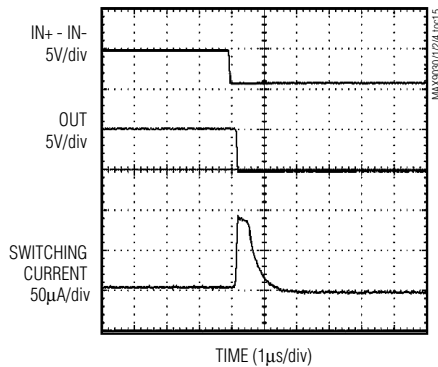
PROPAGATION DELAY



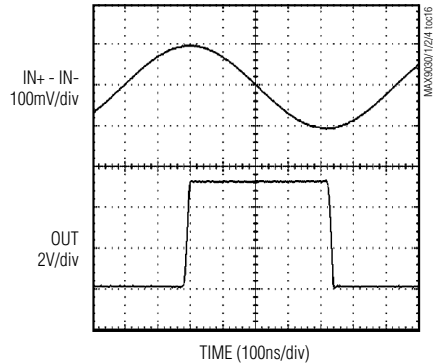
OUTPUT SWITCHING CURRENT, RISING



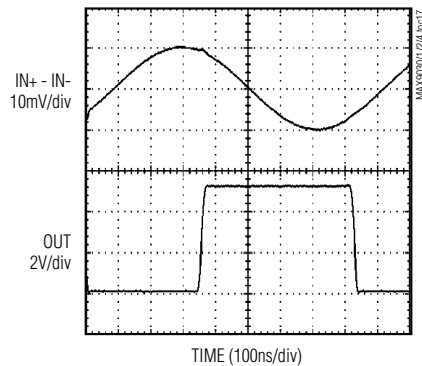
OUTPUT SWITCHING CURRENT, FALLING



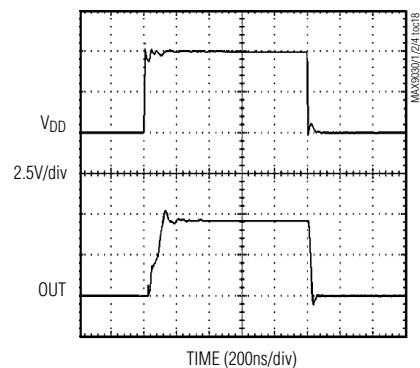
**SINUSOID 1MHz RESPONSE AT 1.25MHz
 $V_{OD} = 100mV$**



**SINUSOID 1MHz RESPONSE AT 1.25MHz
 $V_{OD} = 10mV$**



POWER-UP DELAY



Low-Cost, Ultra-Small, Single/Dual/Quad Single-Supply Comparators

Pin Description

PIN				NAME	FUNCTION
MAX9030	MAX9031	MAX9032	MAX9034		
1	1	—	—	IN+	Comparator Noninverting Input
2	2	4	11	V _{SS}	Negative Supply Voltage. Bypass with a 0.1μF capacitor.
3	3	—	—	IN-	Comparator Inverting Input
4	4	—	—	OUT	Comparator Output
5	—	—	—	$\overline{\text{SHDN}}$	Shutdown
6	5	8	4	V _{DD}	Positive Supply Voltage. Bypass with a 0.1μF capacitor.
—	—	1	1	OUTA	Comparator A Output
—	—	2	2	INA-	Comparator A Inverting Input
—	—	3	3	INA+	Comparator A Noninverting Input
—	—	5	5	INB+	Comparator B Noninverting Input
—	—	6	6	INB-	Comparator B Inverting Input
—	—	7	7	OUTB	Comparator B Output
—	—	—	8	OUTC	Comparator C Output
—	—	—	9	INC-	Comparator C Inverting Input
—	—	—	10	INC+	Comparator C Noninverting Input
—	—	—	12	IND+	Comparator D Noninverting Input
—	—	—	13	IND-	Comparator D Inverting Input
—	—	—	14	OUTD	Comparator D Output

Detailed Description

The MAX9030/MAX9031/MAX9032/MAX9034 are single/dual/quad low-cost comparators. They have an operating supply voltage from +2.5V to +5.5V when operating from a single supply and from ±1.25V to ±2.75V when operating from dual power supplies, and consume only 35μA. Their common-mode input voltage range extends from the negative supply to within 1.1V of the positive supply. Internal hysteresis ensures clean output switching, even with slow-moving input signals.

Shutdown Mode

The MAX9030 comparator comes with a power-saving shutdown mode. When in shutdown, the supply current drops from a typical 35μA to 0.05μA, and the outputs become high impedance. $\overline{\text{SHDN}}$ has a high input impedance and typically draws 0.1μA when connected to V_{SS} or V_{DD}. A maximum logic low voltage of $0.3V \times V_{DD}$

applied to $\overline{\text{SHDN}}$ places the device in the shutdown mode. A minimum logic high voltage of $0.7V \times V_{DD}$ applied to $\overline{\text{SHDN}}$ will enable normal operation. To disable shutdown, connect $\overline{\text{SHDN}}$ to V_{DD}.

Applications Information

Adding Hysteresis

Hysteresis extends the comparator's noise margin by increasing the upper threshold and decreasing the lower threshold. A voltage-divider from the output of the comparator sets the trip voltage. Therefore, the trip voltage is related to the output voltage.

These comparators have 4mV internal hysteresis. Additional hysteresis can be generated with two resistors using positive feedback (Figure 1). Use the following procedure to calculate resistor values:

Low-Cost, Ultra-Small, Single/Dual/Quad Single-Supply Comparators

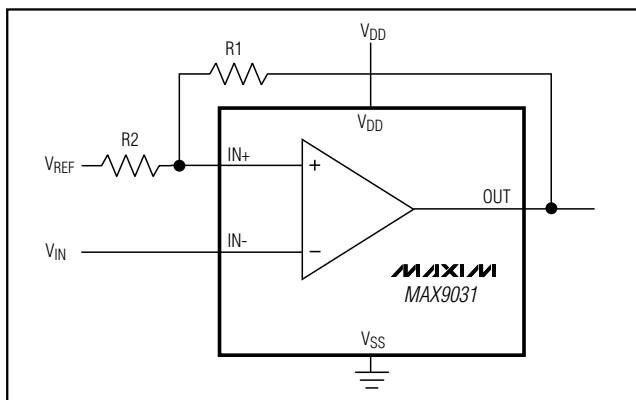


Figure 1. Additional Hysteresis

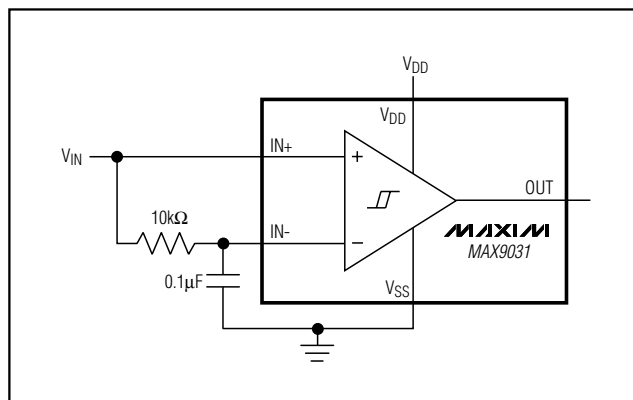


Figure 2. Time Averaging of the Input Signal for Data Recovery

- 1) Find the trip points of the comparator using these formulas:

$$V_{TH} = V_{REF} + [(V_{DD} - V_{REF})R_2] / (R_1 + R_2)$$

$$V_{TL} = V_{REF}(1 - (R_2 / (R_1 + R_2)))$$

where V_{TH} is the threshold voltage at which the comparator switches its output from high to low as V_{IN} rises above the trip point. V_{TL} is the threshold voltage at which the comparator switches its output from low to high as V_{IN} drops below the trip point.

- 2) The hysteresis band will be:

$$V_{HYS} = V_{TH} - V_{TL} = V_{DD}(R_2 / (R_1 + R_2))$$

- 3) In this example, let $V_{DD} = +5V$ and $V_{REF} = +2.5V$.

$$V_{TH} = 2.5V + 2.5(R_2 / (R_1 + R_2))V$$

and

$$V_{TL} = 2.5[1 - (R_2 / (R_1 + R_2))]$$

- 4) Select R_2 . In this example, we will choose $1k\Omega$.
- 5) Select V_{HYS} . In this example, we will choose $50mV$.
- 6) Solve for R_1 .

$$V_{HYS} = V_{DD}(R_2 / (R_1 + R_2))$$

$$0.050V = 5(1000\Omega / (R_1 + 1000\Omega)) V$$

where $R_1 \approx 100k\Omega$, $V_{TH} = 2.525V$, and $V_{TL} = 2.475V$.

The above-described design procedure assumes rail-to-rail output swing. If the output is significantly loaded, the results should be corrected.

Board Layout and Bypassing

Use $100nF$ bypass as a starting point. Minimize signal trace lengths to reduce stray capacitance. Minimize the capacitive coupling between $IN-$ and OUT . For slow-moving input signals (rise-time $> 1ms$), use a $1nF$ capacitor between $IN+$ and $IN-$.

Biasing for Data Recovery

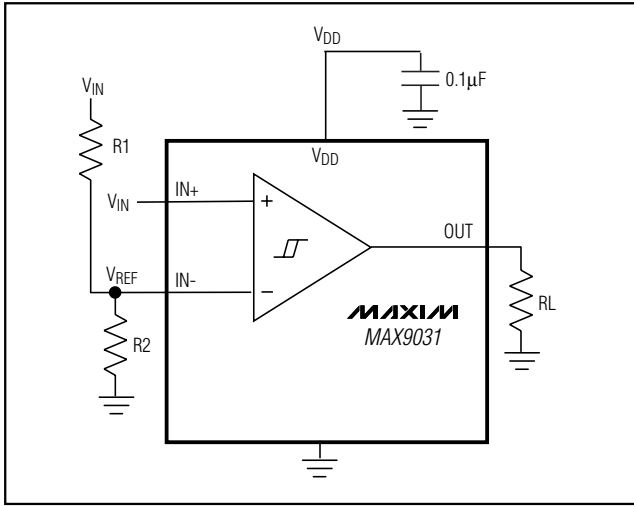
Digital data is often embedded into a bandwidth and amplitude-limited analog path. Recovering the data can be difficult. Figure 2 compares the input signal to a time-averaged version of itself. This self-biases the threshold to the average input voltage for optimal noise margin. Even severe phase distortion is eliminated from the digital output signal. Be sure to choose R_1 and C_1 so that:

$$f_{CAR} \gg 1 / (2\pi R_1 C_1)$$

where f_{CAR} is the fundamental carrier frequency of the digital data stream.

Low-Cost, Ultra-Small, Single/Dual/Quad Single-Supply Comparators

Typical Application Circuit



Chip Information

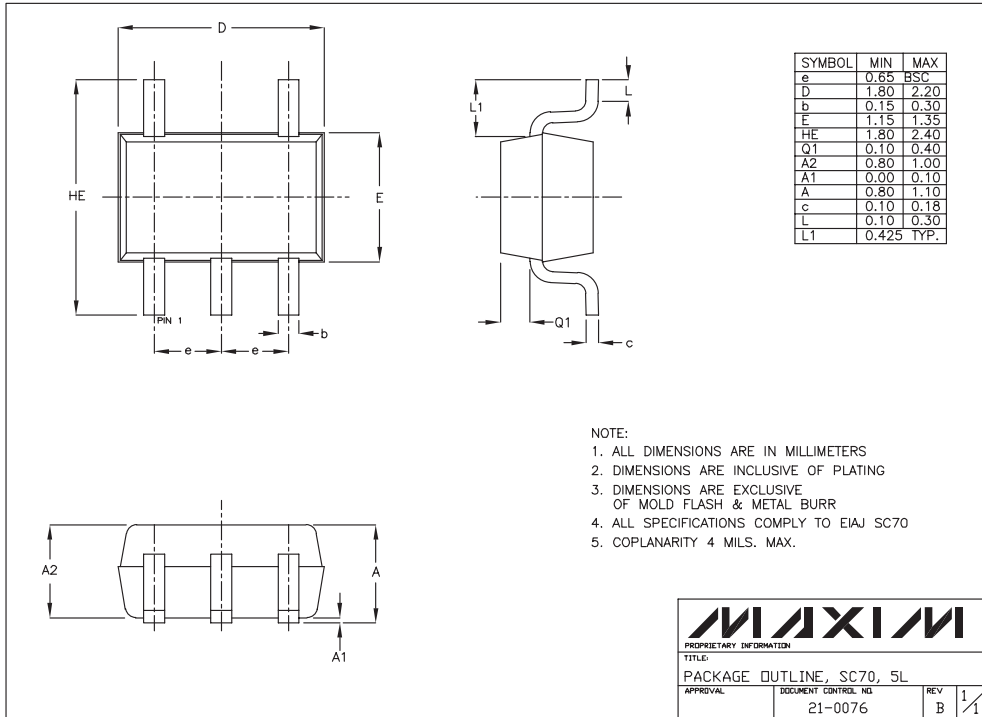
TRANSISTOR COUNT/MAX9030/MAX9031: 123

TRANSISTOR COUNT/MAX9032: 184

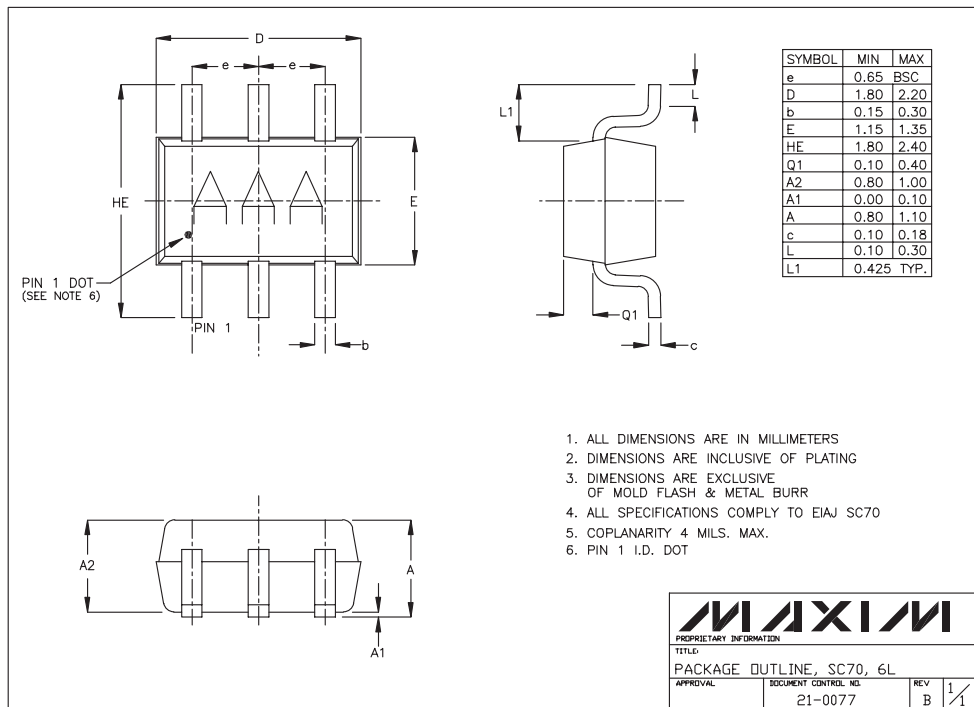
TRANSISTOR COUNT/MAX9034: 368

Low-Cost, Ultra-Small, Single/Dual/Quad Single-Supply Comparators

Package Information



SC70-5LEPS



SC70-6LEPS

MAX9030/MAX9031/MAX9032/MAX9034

Low-Cost, Ultra-Small, Single/Dual/Quad Single-Supply Comparators

Package Information (continued)

PIN 1 I.D. DOT (SEE NOTE 7)

SYMBOL	MIN	MAX
A	0.90	1.45
A1	0.00	0.15
A2	0.90	1.30
b	0.28	0.45
C	0.09	0.20
D	2.80	3.00
E	2.60	3.00
E1	1.50	1.75
L	0.10	0.60
e	0.65 ref	
e1	1.95 ref	
α	0°	10°

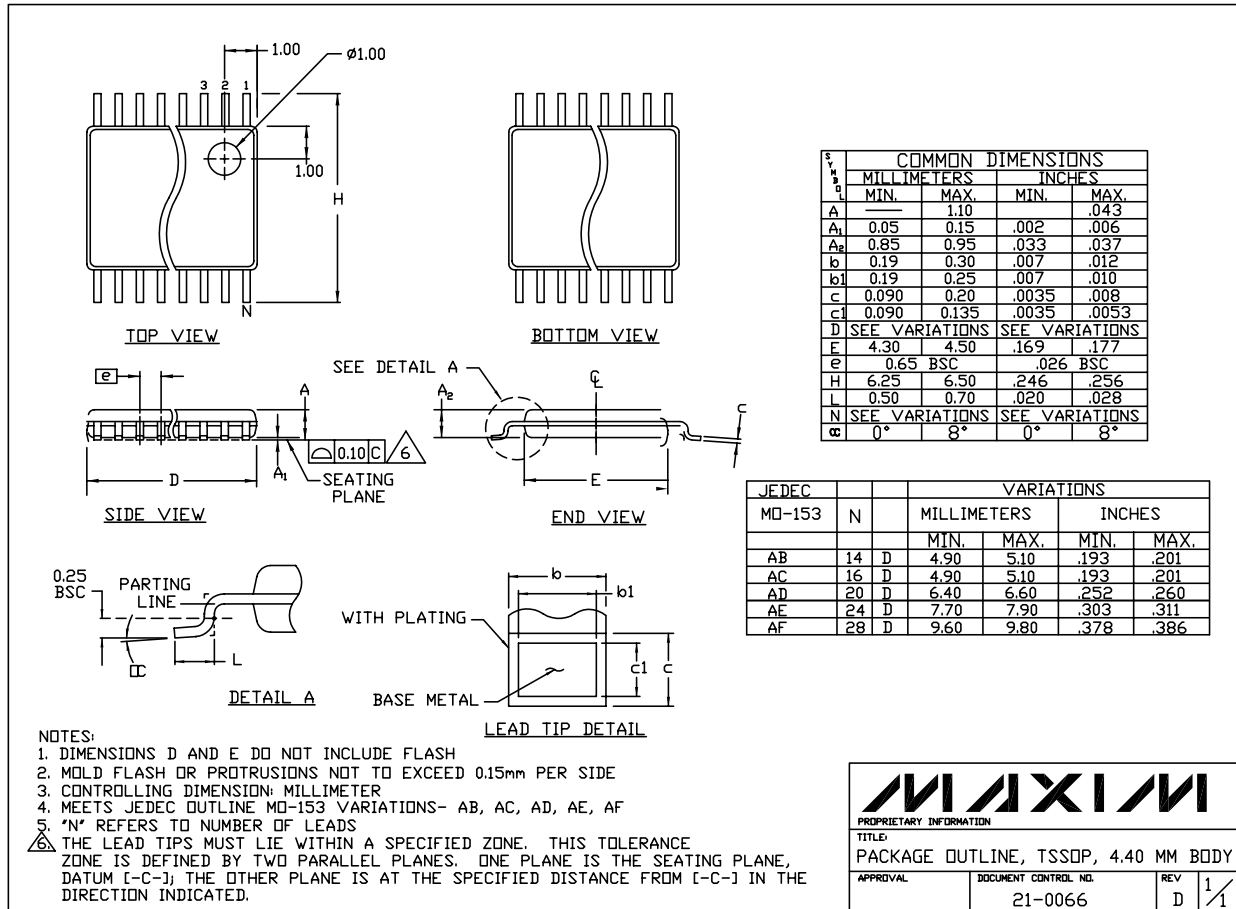
NOTE:
 1. ALL DIMENSIONS ARE IN MILLIMETERS.
 2. FOOT LENGTH MEASURED REFERENCE TO FLAT FOOT SURFACE PARALLEL TO DATUM "A".
 3. PACKAGE OUTLINE EXCLUSIVE OF MOLD FLASH & METAL BURR.
 4. PACKAGE OUTLINE INCLUSIVE OF SOLDER PLATING.
 5. EIAJ REF. NUMBER* SC-74 (6 LEAD VERSION)
 6. COPLANARITY 4 MILS. MAX.
 7. PIN 1 I.D. DOT IS 0.3 MM ϕ MIN. LOCATED ABOVE PIN 1.

MAXIM
 PROPRIETARY INFORMATION
 TITLE: PACKAGE OUTLINE, SOT 23, 8L
 APPROVAL: DOCUMENT CONTROL NO. 21-0078 REV B 1/1

SOT23-8LEPS

Low-Cost, Ultra-Small, Single/Dual/Quad Single-Supply Comparators

Package Information (continued)



MAX9030/MAX9031/MAX9032/MAX9034

Maxim cannot assume responsibility for use of any circuitry other than circuitry entirely embodied in a Maxim product. No circuit patent licenses are implied. Maxim reserves the right to change the circuitry and specifications without notice at any time.

Maxim Integrated Products, 120 San Gabriel Drive, Sunnyvale, CA 94086 408-737-7600 11

Copyright © Each Manufacturing Company.

All Datasheets cannot be modified without permission.

This datasheet has been download from :

www.AllDataSheet.com

100% Free DataSheet Search Site.

Free Download.

No Register.

Fast Search System.

www.AllDataSheet.com