

ADG904/ADG904-R

FEATURES

- Wideband switch: -3 dB @ 2.5 GHz
- ADG904: Absorptive 4:1 Mux/SP4T
- ADG904-R: Reflective 4:1 Mux/SP4T
- High off isolation (37 dB @ 1 GHz)
- Low insertion loss (1.1 dB dc to 1 GHz)
- Single 1.65 V to 2.75 V power supply
- CMOS/LVTTL control logic
- 20-lead TSSOP
- Low power consumption (1 μ A max)

APPLICATIONS

- Wireless communications
- General-purpose RF switching
- Dual-band applications
- High speed filter selection
- Digital transceiver front end switch
- IF switching
- Tuner modules
- Antenna diversity switching

GENERAL DESCRIPTION

The ADG904/ADG904-R are wideband analog 4:1 multiplexers that use a CMOS process to provide high isolation and low insertion loss to 1 GHz. The ADG904 is an absorptive/matched mux with 50 Ω terminated shunt legs; the ADG904-R is a reflective mux. These devices are designed such that the isolation is high over the dc to 1 GHz frequency range.

The ADG904/ADG904-R switches one of four inputs to a common output, RFC, as determined by the 3-bit binary address lines A0, A1, and $\overline{\text{EN}}$. A Logic 1 on the $\overline{\text{EN}}$ pin disables the device.

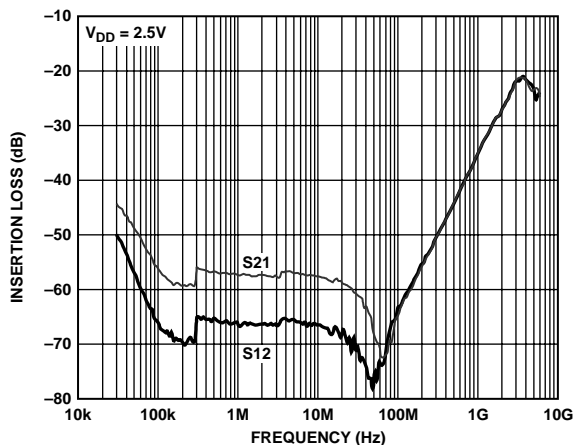


Figure 3. Off Isolation vs. Frequency

FUNCTIONAL BLOCK DIAGRAMS

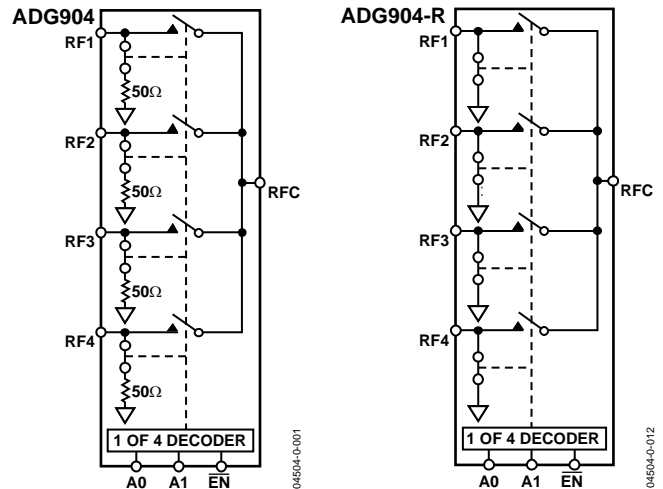


Figure 1

Figure 2

The parts have on-board CMOS control logic, thus eliminating the need for external control circuitry. The control inputs are both CMOS and LVTTL compatible. The ADG904/ADG904-R's low power consumption makes them ideally suited for wireless applications and general-purpose high frequency switching.

PRODUCT HIGHLIGHTS

1. -37 dB off isolation @ 1 GHz
2. 1.1 dB insertion loss @ 1 GHz
3. 20-lead TSSOP packages

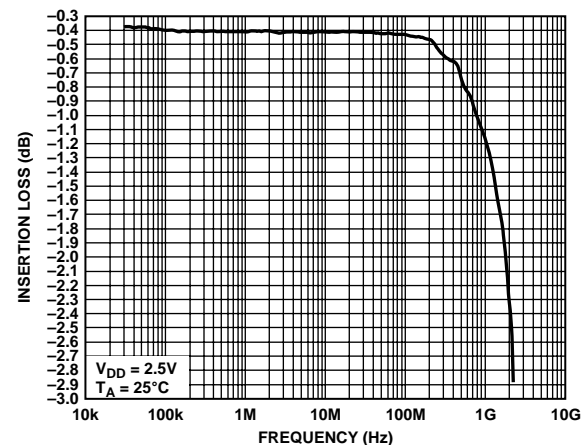


Figure 4. Insertion Loss vs. Frequency

Rev. 0

Information furnished by Analog Devices is believed to be accurate and reliable. However, no responsibility is assumed by Analog Devices for its use, nor for any infringements of patents or other rights of third parties that may result from its use. Specifications subject to change without notice. No license is granted by implication or otherwise under any patent or patent rights of Analog Devices. Trademarks and registered trademarks are the property of their respective owners.

TABLE OF CONTENTS

Specifications.....	3	Absorptive vs. Reflective.....	11
Absolute Maximum Ratings.....	4	Antenna Diversity Switch.....	11
Pin Configuration and Function Descriptions.....	5	Filter Selection	11
Terminology	6	Tx/Rx Switching	11
Typical Performance Characteristics	7	Evaluation Board	12
Test Circuits.....	9	Outline Dimensions	13
Applications.....	11	Ordering Guide	13

REVISION HISTORY

Revision 0: Initial Version

SPECIFICATIONS

Table 1. $V_{DD} = 1.65\text{ V to }2.75\text{ V}$, $GND = 0\text{ V}$, Input Power = 0 dBm, all specifications T_{MIN} to T_{MAX} , unless otherwise noted¹

Parameter	Symbol	Conditions	B Version			Unit
			Min	Typ ²	Max	
AC ELECTRICAL CHARACTERISTICS						
Operating Frequency ³			DC		2	GHz
3 dB Frequency ⁴					2.5	GHz
Input Power ⁴		0 V dc bias			7	dBm
		0.5 V dc bias			16	dBm
Insertion Loss	S_{21}, S_{12}	DC to 100 MHz; $V_{DD} = 2.5\text{ V} \pm 10\%$		0.4	0.8	dB
		500 MHz; $V_{DD} = 2.5\text{ V} \pm 10\%$		0.6	0.9	dB
		1000 MHz; $V_{DD} = 2.5\text{ V} \pm 10\%$		1.1	1.5	dB
Isolation—RFC to RF1–RF4	S_{21}, S_{12}	100 MHz	69	70		dB
		500 MHz	60	65		dB
		1000 MHz	30	37		dB
Crosstalk	S_{21}, S_{12}	100 MHz	64	70		dB
		500 MHz	60	65		dB
		1000 MHz	30	35		dB
Return Loss (On Channel) ⁴	S_{11}, S_{22}	DC to 100 MHz	21	27		dB
		500 MHz	18	26		dB
		1000 MHz	15	30		dB
Return Loss (Off Channel) ⁴	S_{11}, S_{22}	DC to 100 MHz	18	22		dB
		500 MHz	16	23		dB
		1000 MHz	18	22		dB
On Switching Time ⁴	$t_{ON(\overline{EN})}$	50% \overline{EN} to 90% RF		8.5	10	ns
Off Switching Time ⁴	$t_{OFF(\overline{EN})}$	50% \overline{EN} to 10% RF		13	16	ns
Transition Time	t_{TRANS}	50% A_x to 10% RF		12	15	ns
Rise Time ⁴	t_{RISE}	10% to 90% RF		3	5	ns
Fall Time ⁴	t_{FALL}	90% to 10% RF		7.5	9	ns
1 dB Compression ⁴	$P_{-1\text{ dB}}$	1000 MHz		16		dBm
Third Order Intermodulation Intercept	IP_3	900 MHz/901 MHz, 4 dBm	28	31		dBm
Video Feedthrough ⁵				3		mV p-p
DC ELECTRICAL CHARACTERISTICS						
Input High Voltage	V_{INH}	$V_{DD} = 2.25\text{ V to }2.75\text{ V}$	1.7			V
	V_{INH}	$V_{DD} = 1.65\text{ V to }1.95\text{ V}$	0.65 V_{CC}			V
Input Low Voltage	V_{INL}	$V_{DD} = 2.25\text{ V to }2.75\text{ V}$			0.7	V
	V_{INL}	$V_{DD} = 1.65\text{ V to }1.95\text{ V}$			0.35 V_{CC}	V
Input Leakage Current	I_I	$0 \leq V_{IN} \leq 2.75\text{ V}$		± 0.1	± 1	μA
CAPACITANCE⁴						
RF Port On Capacitance	$C_{RF\text{ ON}}$	$f = 1\text{ MHz}$		3		pF
Digital Input Capacitance	C	$f = 1\text{ MHz}$		2		pF
POWER REQUIREMENTS						
V_{DD}			1.65		2.75	V
Quiescent Power Supply Current	I_{DD}	Digital inputs = 0 V or V_{DD}		0.1	1	μA

¹ Temperature range B Version: -40°C to $+85^\circ\text{C}$.

² Typical values are at $V_{DD} = 2.5\text{ V}$ and 25°C , unless otherwise stated.

³ Operating frequency is the point at which insertion loss degrades by 1.5 dB.

⁴ Guaranteed by design, not subject to production test.

⁵ Video feedthrough is the dc transience at the output of any port of the switch when the control voltage is switched from high to low or low to high in a 50 Ω test setup, measured with 1 ns rise time pulses and 500 MHz bandwidth.

ADG904/ADG904-R

ABSOLUTE MAXIMUM RATINGS

Table 2. $T_A = 25^\circ\text{C}$, unless otherwise noted

Parameter	Rating
V_{DD} to GND	-0.5 V to +4 V
Inputs to GND	-0.5 V to $V_{DD} + 0.3\text{ V}$ ¹
Continuous Current	30 mA
Input Power	18 dBm
Operating Temperature Range	
Industrial (B Version)	-40°C to +85°C
Storage Temperature Range	-65°C to +150°C
Junction Temperature	150°C
TSSOP Package	
θ_{JA} Thermal Impedance	143°C/W
Lead Temperature, Soldering (10 sec)	300°C
IR Reflow, Peak Temperature (<20 sec)	235°C
ESD	1 kV

Stresses above those listed under Absolute Maximum Ratings may cause permanent damage to the device. This is a stress rating only and functional operation of the device at these or any other conditions above those listed in the operational sections of this specification is not implied. Exposure to absolute maximum rating conditions for extended periods may affect device reliability. Only one absolute maximum rating may be applied at any one time.

Table 3. Truth Table

A1	A0	$\overline{\text{EN}}$	ON Switch ²
X	X	1	None
0	0	0	RF1
0	1	0	RF2
1	0	0	RF3
1	1	0	RF4

¹ RFx Off Port Inputs to Ground = -0.5 V to $V_{DD} - 0.5\text{ V}$.

² OFF Switches have:
50 Ω termination to GND (ADG904).
Shunt to GND (ADG904-R).

ESD CAUTION

ESD (electrostatic discharge) sensitive device. Electrostatic charges as high as 4000 V readily accumulate on the human body and test equipment and can discharge without detection. Although this product features proprietary ESD protection circuitry, permanent damage may occur on devices subjected to high energy electrostatic discharges. Therefore, proper ESD precautions are recommended to avoid performance degradation or loss of functionality.



PIN CONFIGURATION AND FUNCTION DESCRIPTIONS

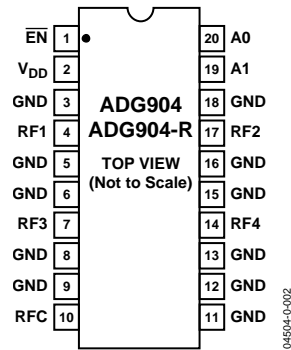


Figure 5. 20-Lead TSSOP (RU-20)

Table 4. Pin Function Descriptions

Pin No.	Mnemonic	Function
1	EN	Active Low Digital Input. When high, the device is disabled and all switches are off. When low, Ax logic inputs determine on switches.
2	V _{DD}	Power Supply Input. These parts can be operated from 1.65 V to 2.75 V. V _{DD} should be decoupled to GND.
3, 5, 6, 8, 9, 11, 12, 13, 15, 16, 18	GND	Ground Reference Point for All Circuitry on the Part.
4	RF1	RF1 Port.
7	RF3	RF3 Port.
10	RFC	Common RF Port for Switch.
14	RF4	RF4 Port.
17	RF2	RF2 Port.
19	A1	Logic Control Input.
20	A0	Logic Control Input.

TERMINOLOGY

Table 5.

Parameter	Description
V_{DD}	Most Positive Power Supply Potential.
I_{DD}	Positive Supply Current.
GND	Ground (0 V) Reference.
AX	Logic Control Input.
V_{INL}	Maximum Input Voltage for Logic 0.
V_{INH}	Minimum Input Voltage for Logic 1.
I_{INL} (I_{INH})	Input Current of the Digital Input.
C_{IN}	Digital Input Capacitance.
t_{ON} (\overline{EN})	Delay between Applying the \overline{EN} Control Input and the Output Switching On.
t_{OFF} (\overline{EN})	Delay between Applying the \overline{EN} Control Input and the Output Switching Off.
t_{RISE}	Rise Time. Time for the RF signal to rise from 10% of the On level to 90% of the On level.
t_{FALL}	Fall Time. Time for the RF signal to fall from 90% of the On level to 10% of the On level.
t_{TRANS}	Transition Time. Delay between applying the digital control input and the output switching on.
Off Isolation	The Attenuation between Input and Output Ports of the Switch when the Switch Control Voltage is in the Off Condition.
Insertion Loss	The Attenuation between Input and Output Ports of the Switch when the Switch Control Voltage is in the On Condition.
Crosstalk	Measure of Unwanted Signal Coupled through from One Channel to Another as a Result of Parasitic Capacitance.
$P_{-1\text{ dB}}$	1 dB Compression Point. The RF input power level at which the switch insertion loss increases by 1 dB over its low level value. $P_{-1\text{ dB}}$ is a measure of how much power the On switch can handle before the insertion loss increases by 1 dB.
IP_3	Third Order Intermodulation Intercept. This is a measure of the power in false tones that occur when closely spaced tones are passed through a switch, whereby the nonlinearity of the switch causes these false tones to be generated.
Return Loss	The Amount of Reflected Power Relative to the Incident Power at a Port. Large return loss indicates good matching. By measuring return loss, the VSWR can be calculated from conversion charts. VSWR (voltage standing wave ratio) indicates the degree of matching present at a switch RF port.
Video Feedthrough	Spurious Signals Present at the RF ports of the Switch when the Control Voltage is Switched from High to Low or Low to High without an RF Signal Present.

TYPICAL PERFORMANCE CHARACTERISTICS

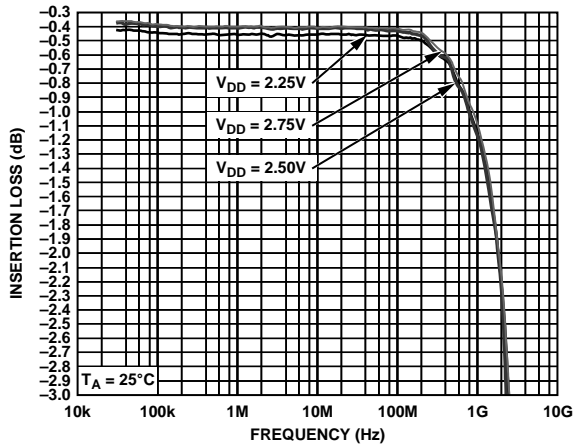


Figure 6. Insertion Loss vs. Frequency over Supplies (RF1-RF4, S12, and S21)

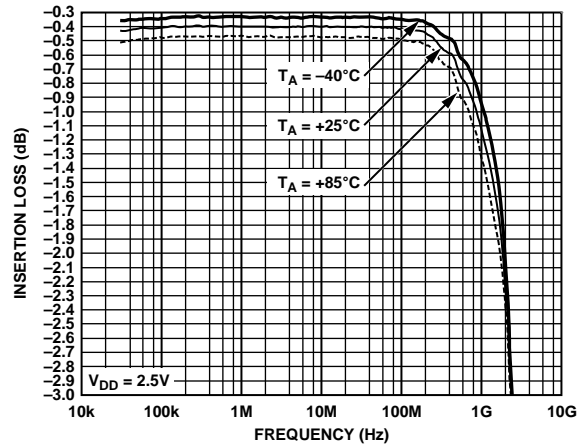


Figure 9. Insertion Loss vs. Frequency over Temperature (RF1-RF4, S12, and S21)

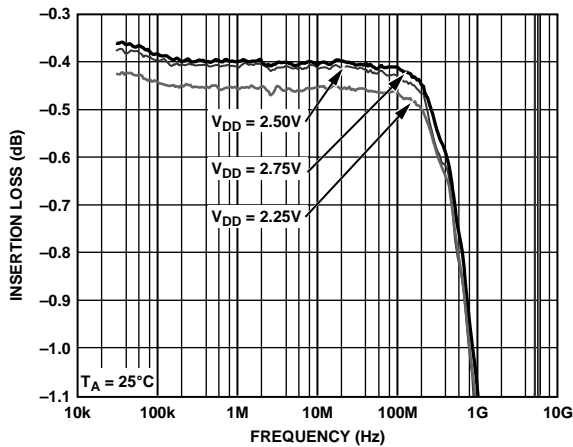


Figure 7. Insertion Loss vs. Frequency over Supplies (RF1-RF4, S12, and S21) Zoomed Figure 6 Plot

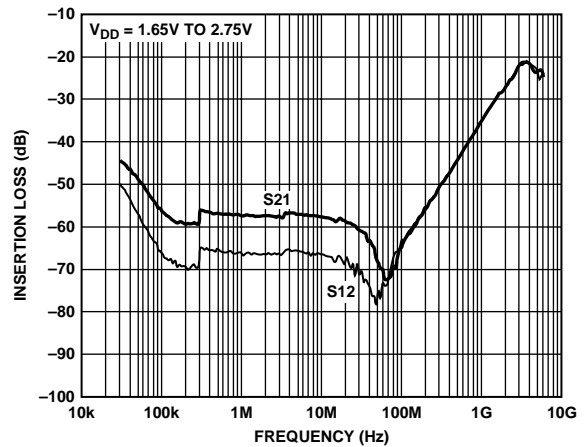


Figure 10. Isolation vs. Frequency over Supplies (RF1-RF4, S12, and S21)

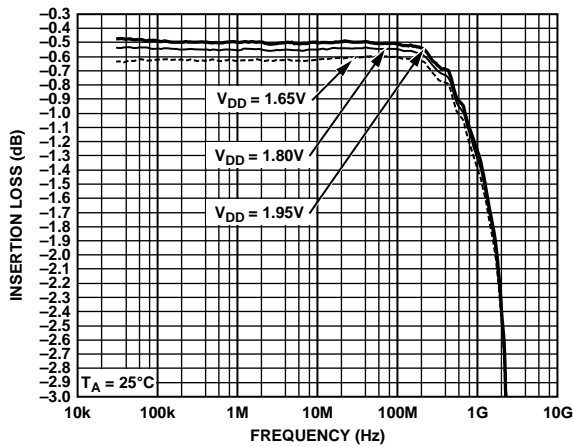


Figure 8. Insertion Loss vs. Frequency over Supplies (RF1-RF4, S12, and S21)

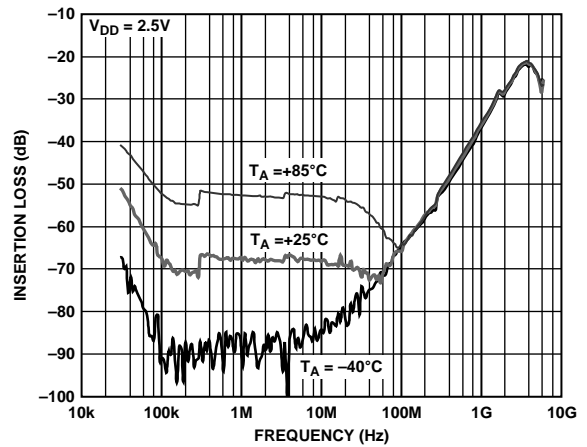


Figure 11. Isolation vs. Frequency over Temperature (RF1-RF4, S12, and S21)

04504-0-015

04504-0-016

04504-0-014

04504-0-017

04504-0-013

04504-0-018

ADG904/ADG904-R

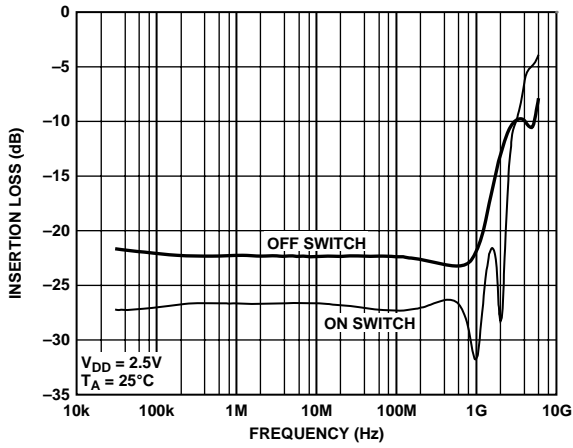


Figure 12. Return Loss vs. Frequency (RF1-RF4, S11)

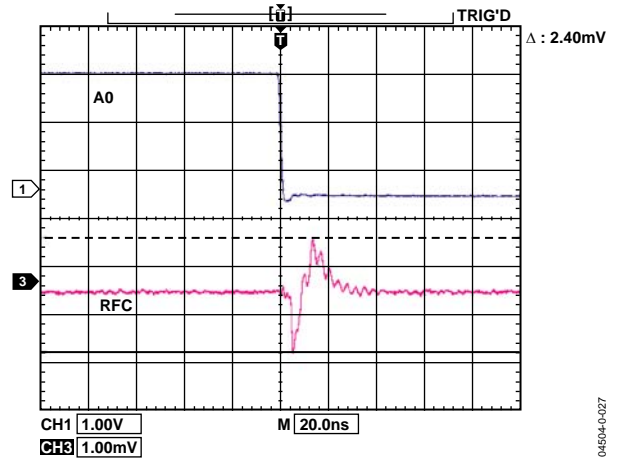


Figure 15. Video Feedthrough

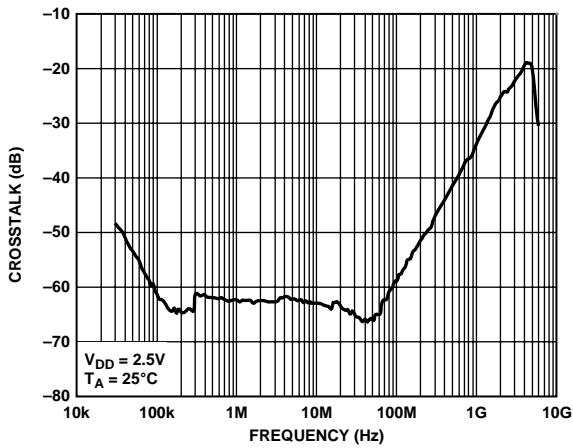


Figure 13. Crosstalk vs. Frequency

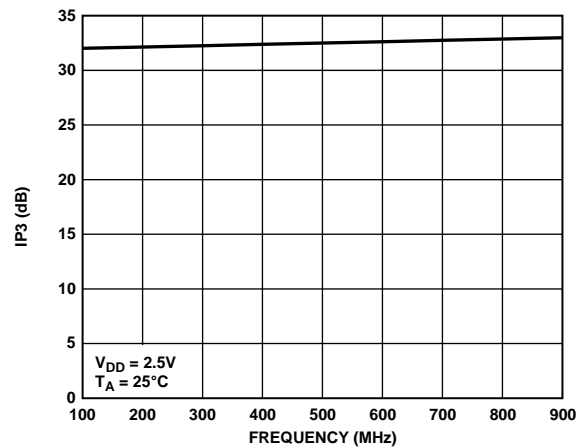


Figure 16. IP3 vs. Frequency

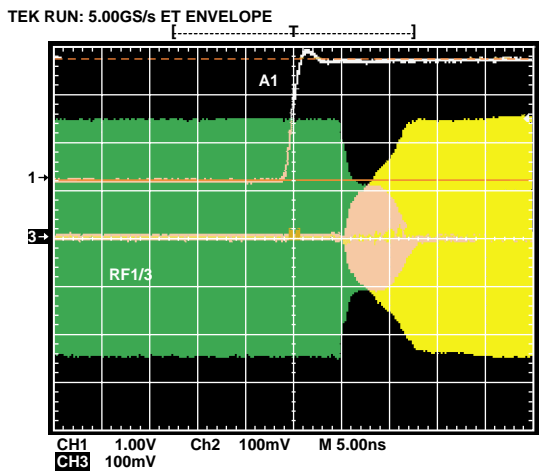


Figure 14. Switch Timing

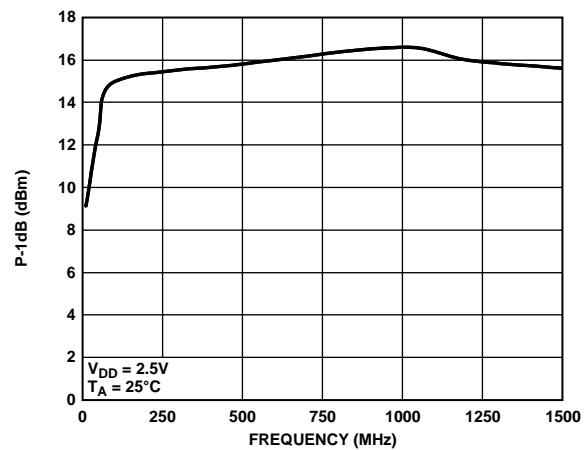


Figure 17. P-1dB vs. Frequency

TEST CIRCUITS

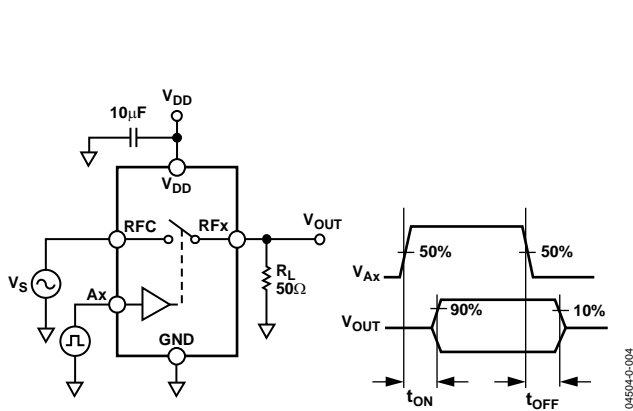


Figure 18. Switch Timing: t_{ON} , t_{OFF}

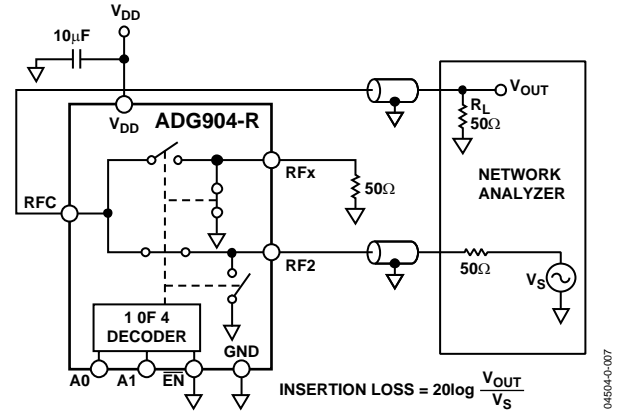


Figure 21. Insertion Loss

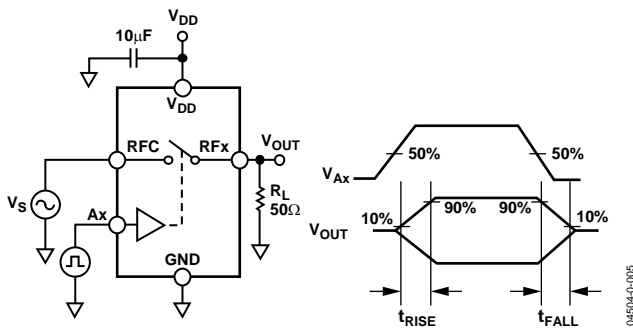


Figure 19. Switch Timing: t_{RISE} , t_{FALL}

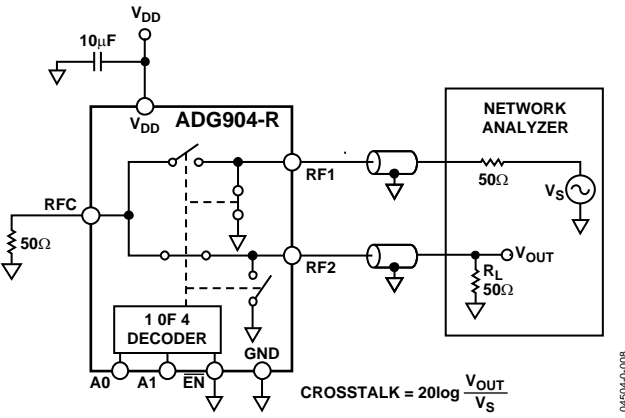


Figure 22. Crosstalk

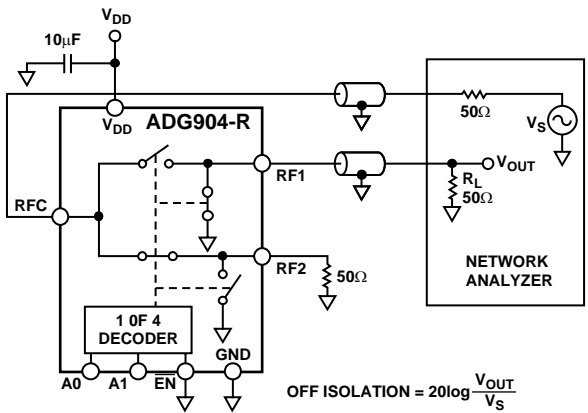


Figure 20. Off Isolation

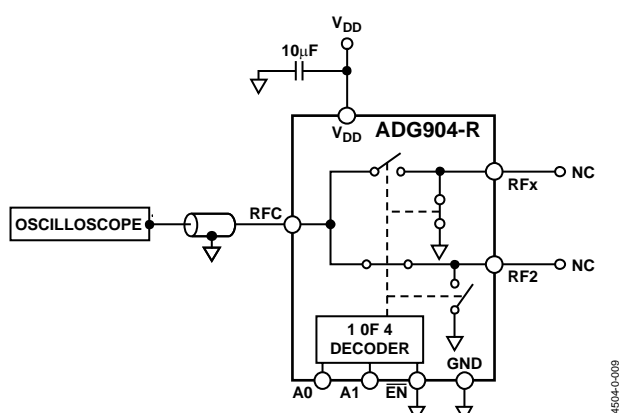


Figure 23. Video Feedthrough

ADG904/ADG904-R

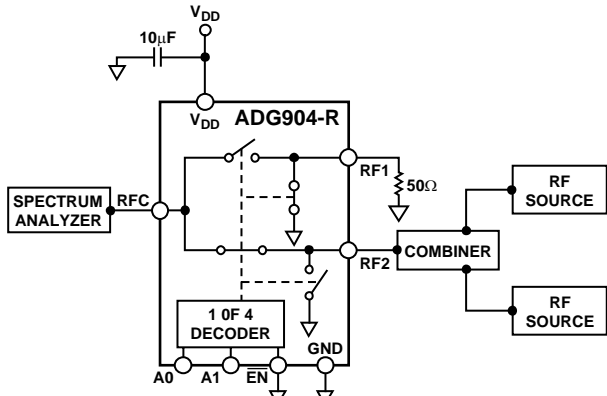


Figure 24. IP₃

04594-0-010

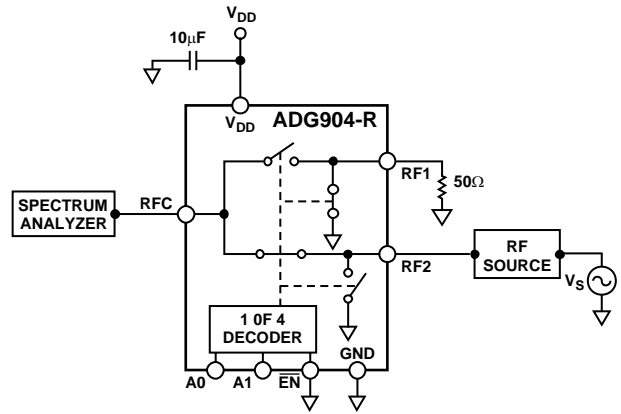


Figure 25. P-1 dB

04594-0-011

APPLICATIONS

The ADG904/ADG904-R are ideal solutions for low power, high frequency applications. The low insertion loss, high isolation between ports, low distortion, and low current consumption of these parts make them excellent solutions for many high frequency switching applications. They may be used in applications such as switchable filters, transmitters and receivers for radar systems, and communication systems from base stations to cell phones.

The ADG9xx wideband switches are designed to meet the demands of devices transmitting at ISM band frequencies to 1 GHz and higher. The low insertion loss, high isolation between ports, single pin control interface, no requirement for dc blocking capacitors, and TTL interface compatibility make them cost effective and easy to integrate switching solutions for many high frequency switching applications and low power applications where the parts can handle up to 16 dBm of power.

ABSORPTIVE VS. REFLECTIVE

The ADG904 is an absorptive (matched) switch with 50 Ω terminated shunt legs; the ADG904-R is a reflective switch with 0 Ω terminated shunts to ground. The ADG904 absorptive switch has a good VSWR on each port, regardless of the switch mode. An absorptive switch should be used when there is a need for a good VSWR that is looking into the port but not passing the through signal to the common port. The ADG904 is therefore ideal for applications that require minimum reflections back to the RF source. It also ensures that the maximum power is transferred to the load.

The ADG904-R reflective switch is suitable for applications where high off port VSWR does not matter and the switch has some other desired performance feature. It can be used in many applications, including high speed filter selection. In most cases, an absorptive switch can be used instead of a reflective switch, but not vice versa.

ANTENNA DIVERSITY SWITCH

The ADG904 is ideal for use as an antenna diversity switch, switching in different antennas to the tuner. The low insertion loss ensures minimum signal loss and high isolation between channels, making these SP4T switches suitable for switching applications in tuner modules and set-top boxes.

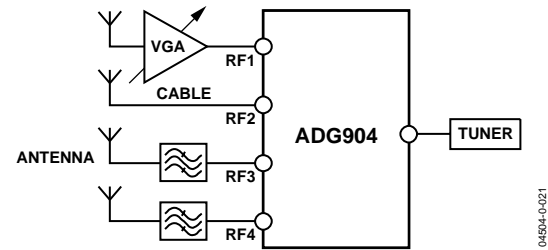


Figure 26. Tuner Modules

FILTER SELECTION

The ADG904 can be used to switch high frequency signals between different filters, and to multiplex the signal to the output. These SP4T switches are also ideal for high speed signal routing.

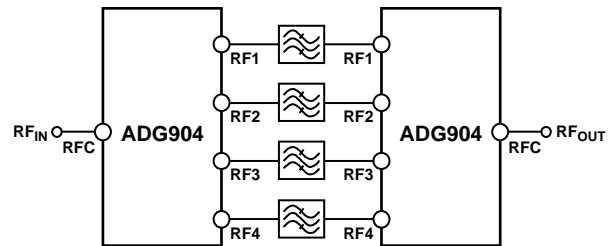


Figure 27. Filter Selection

Tx/Rx SWITCHING

The low insertion loss and high isolation between ports ensures that the ADG904/ADG904-R is a suitable transmit/receive switch for all ISM band and WirelessLAN, providing the required isolation between the transmit and receive signals.

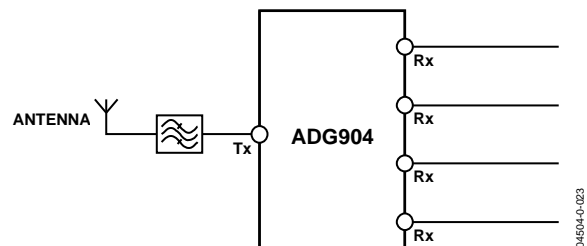


Figure 28. Tx/Rx Switching

ADG904/ADG904-R

EVALUATION BOARD

The ADG904/ADG904-R evaluation board allows designers to evaluate the high performance, wideband switches with minimal effort.

To prove that these devices meet the user's requirements, only a power supply and a network analyzer, along with the evaluation board, are required. An application note available with the evaluation board gives complete information on operating the evaluation board.

The RFC port (see Figure 29) is connected through a 50 Ω transmission line to the bottom left SMA connector, J4. RF1, RF2, RF3, and RF4 are connected through 50 Ω transmission lines to SMA connectors J5, J6, J7, and J8, respectively. A through transmission line connects J9 and J10; this transmission line is used to estimate the loss of the PCB over the environmental conditions being evaluated.

The board is constructed of 4-layer, FR4 material with a dielectric constant of 4.3 and an overall thickness of 0.062 inches. Two ground layers with grounded planes provide ground for the RF transmission lines. The transmission lines were designed using a coplanar waveguide with a ground plane model using a trace width of 0.024 inches, clearance to ground plane of 0.008 inches, dielectric thickness of 0.02 inches, and a metal thickness of 0.0021 inches.

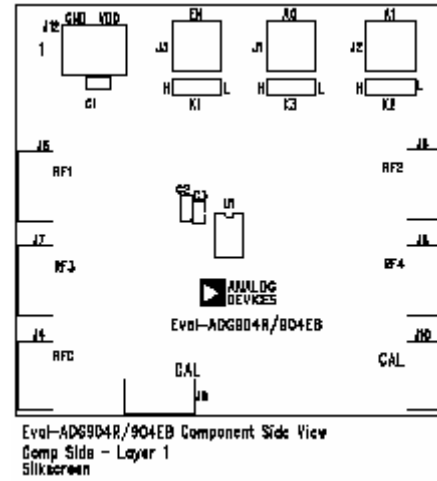
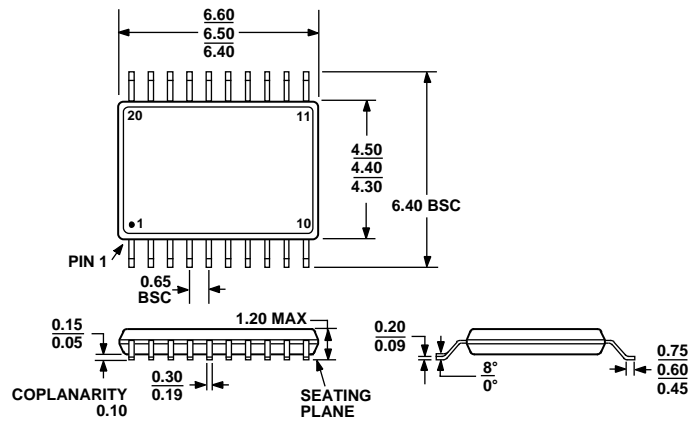


Figure 29. ADG904/ADG904-R Evaluation Board Top View

OUTLINE DIMENSIONS



COMPLIANT TO JEDEC STANDARDS MO-153AC

Figure 30. 20-Thin Shrink Small Outline Package [TSSOP]
(RU-20)

Dimensions shown in millimeters

ORDERING GUIDE

Model	Temperature Range	Package Description	Package Option
ADG904BRU	-40°C to +85°C	Thin Shrink Small Outline Package (TSSOP)	RU-20
ADG904BRU-500RL7	-40°C to +85°C	Thin Shrink Small Outline Package (TSSOP)	RU-20
ADG904BRU-REEL	-40°C to +85°C	Thin Shrink Small Outline Package (TSSOP)	RU-20
ADG904BRU-REEL7	-40°C to +85°C	Thin Shrink Small Outline Package (TSSOP)	RU-20
ADG904BRU-R	-40°C to +85°C	Thin Shrink Small Outline Package (TSSOP)	RU-20
ADG904BRU-R-500RL7	-40°C to +85°C	Thin Shrink Small Outline Package (TSSOP)	RU-20
ADG904BRU-R-REEL	-40°C to +85°C	Thin Shrink Small Outline Package (TSSOP)	RU-20
ADG904BRU-R-REEL7	-40°C to +85°C	Thin Shrink Small Outline Package (TSSOP)	RU-20
EVAL-ADG904EB		Evaluation Board	
EVAL-ADG904REB		Evaluation Board	

NOTES

NOTES

NOTES

Copyright © Each Manufacturing Company.

All Datasheets cannot be modified without permission.

This datasheet has been download from :

www.AllDataSheet.com

100% Free DataSheet Search Site.

Free Download.

No Register.

Fast Search System.

www.AllDataSheet.com