

LM3722/LM3723/LM3724

5-Pin Microprocessor Reset Circuits

General Description

The LM3722/LM3723/LM3724 microprocessor supervisory circuits monitor the power supplies in microprocessor and digital systems. They provide a reset to the microprocessor during power-up, power-down, brown-out conditions, and manual reset.

The LM3722/LM3723/LM3724 asserts a reset signal whenever the supply decreases below the factory-programmed reset threshold for at least 100 ms. The reset signal remains asserted for 190 ms after V_{CC} rises above the threshold.

The LM3722 has an active-low $\overline{\text{RESET}}$ push-pull output. The LM3723 has an active-high RESET push-pull output. The LM3724 has an active-low open-drain $\overline{\text{RESET}}$ output.

Three standard reset voltage options are available, suitable for monitoring 5V, 3.3V, and 2.5V supply voltages. Additional reset voltages are also available; contact National Semiconductor for details.

With a low supply current of only 6 μA , the LM3722/LM3723/LM3724 are ideal for use in portable equipment. The LM3722/LM3723/LM3724 are available in the 5-pin SOT23 package.

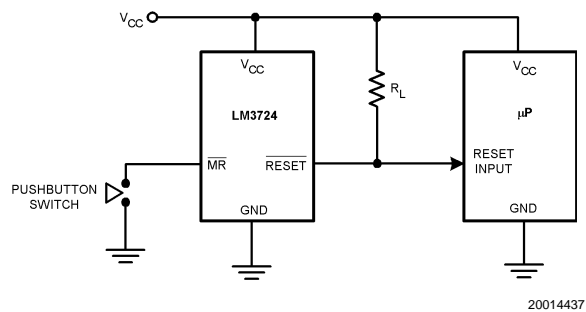
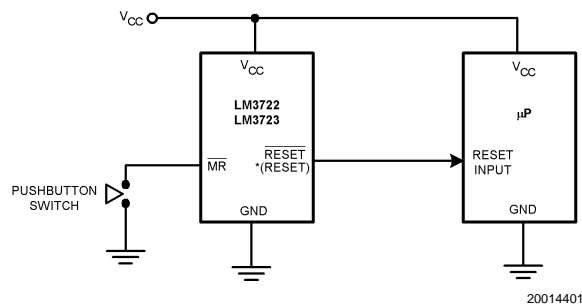
Features

- Precise monitoring of 2.5V, 3.3V, and 5V supply voltages
- Fully specified over temperature
Industrial: -40°C to $+85^{\circ}\text{C}$
Extended: -40°C to $+125^{\circ}\text{C}$
- 100 ms minimum Power-On Reset pulse width, 190 ms typical:
 - Active-Low $\overline{\text{RESET}}$ Output (LM3722)
 - Active-High RESET Output (LM3723)
 - Active-Low $\overline{\text{RESET}}$ Open Drain Output (LM3724)
- Guaranteed $\overline{\text{RESET}}$ Output valid for $V_{CC} \geq 1\text{V}$
- Low Supply Current, 6 μA typical
- Power supply transient immunity
- Compatible with MAX811/812 applications

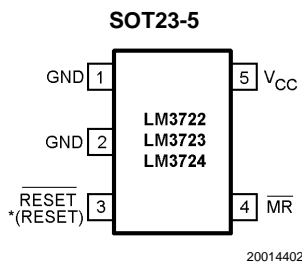
Applications

- Microprocessor Systems
- Computers
- Controllers
- Intelligent Instruments
- Portable/Battery-Powered Equipment

Typical Application Circuit



Connection Diagram



*() are for LM3723

Ordering Information

Industrial Temperature Range (–40°C to +85°C):

| Reset Threshold (V) | LM3722 Supplied as 1000 units, tape & reel | LM3722 Supplied as 3000 units, tape & reel | Package Top Mark | Package Type | NSC Package |
|---------------------|--|--|------------------|--------------|-------------|
| 4.63 | LM3722IM5-4.63 | LM3722IM5X-4.63 | R43B | SOT23-5 | MF05A |
| 3.08 | LM3722IM5-3.08 | LM3722IM5X-3.08 | R41B | | |
| 2.32 | LM3722IM5-2.32 | LM3722IM5X-2.32 | R34B | | |
| Reset Threshold (V) | LM3723 Supplied as 1000 units, tape & reel | LM3723 Supplied as 3000 units, tape & reel | Package Top Mark | Package Type | NSC Package |
| 4.63 | LM3723IM5-4.63 | LM3723IM5X-4.63 | R13B | SOT23-5 | MF05A |
| 3.08 | LM3723IM5-3.08 | LM3723IM5X-3.08 | R11B | | |
| 2.32 | LM3723IM5-2.32 | LM3723IM5X-2.32 | R46B | | |
| Reset Threshold (V) | LM3724 Supplied as 1000 units, tape & reel | LM3724 Supplied as 3000 units, tape & reel | Package Top Mark | Package Type | NSC Package |
| 4.63 | LM3724IM5-4.63 | LM3724IM5X-4.63 | R55B | SOT23-5 | MF05A |
| 3.08 | LM3724IM5-3.08 | LM3724IM5X-3.08 | R53B | | |
| 2.32 | LM3724IM5-2.32 | LM3724IM5X-2.32 | R50B | | |

Extended Temperature Range (–40°C to +125°C):

| Reset Threshold (V) | LM3722 Supplied as 1000 units, tape & reel | LM3722 Supplied as 3000 units, tape & reel | Package Top Mark | Package Type | NSC Package |
|---------------------|--|--|------------------|--------------|-------------|
| 4.63 | LM3722EM5-4.63 | LM3722EM5X-4.63 | R56B | SOT23-5 | MF05A |
| 3.08 | LM3722EM5-3.08 | LM3722EM5X-3.08 | R57B | | |
| 2.32 | LM3722EM5-2.32 | LM3722EM5X-2.32 | R58B | | |
| Reset Threshold (V) | LM3723 Supplied as 1000 units, tape & reel | LM3723 Supplied as 3000 units, tape & reel | Package Top Mark | Package Type | NSC Package |
| 4.63 | LM3723EM5-4.63 | LM3723EM5X-4.63 | R59B | SOT23-5 | MF05A |
| 3.08 | LM3723EM5-3.08 | LM3723EM5X-3.08 | R60 | | |
| 2.32 | LM3723EM5-2.32 | LM3723EM5X-2.32 | R61B | | |
| Reset Threshold (V) | LM3724 Supplied as 1000 units, tape & reel | LM3724 Supplied as 3000 units, tape & reel | Package Top Mark | Package Type | NSC Package |
| 4.63 | LM3724EM5-4.63 | LM3724EM5X-4.63 | R62B | SOT23-5 | MF05A |
| 3.08 | LM3724EM5-3.08 | LM3724EM5X-3.08 | R63B | | |
| 2.32 | LM3724EM5-2.32 | LM3724EM5X-2.32 | R64B | | |

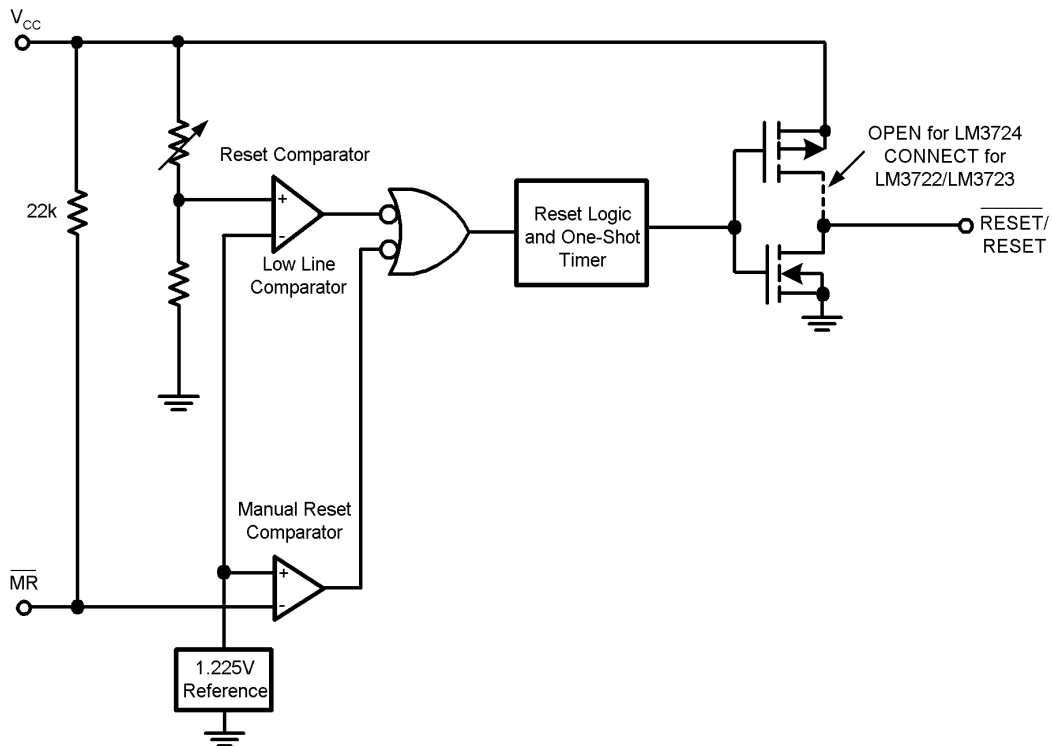
Custom voltages and improved accuracies are available, subject to minimum orders. Contact your local National Semiconductor Sales Office for information.

Pin Description

| PIN | NAME | FUNCTION |
|-----|--|--|
| 1 | GND | Ground reference |
| 2 | GND | Ground reference, device substrate, connect to ground. |
| 3 | $\overline{\text{RESET}}$ LM3722/LM3724 | Active-low output. $\overline{\text{RESET}}$ remains low while V_{CC} is below the reset threshold voltage, and for 190 ms after V_{CC} rises above the reset threshold voltage. |
| | RESET LM3723 | Active-high output. RESET remains high while V_{CC} is below the reset threshold, and for 190 ms after V_{CC} rises above the reset threshold. |
| 4 | $\overline{\text{MR}}$ | Active-low input. Reset is asserted whenever this pin is pulled low and remains asserted for 190 ms after the $\overline{\text{MR}}$ pin goes high. May be left open. |
| 5 | V_{CC} | Supply Voltage (+5V, +3.3V, or +2.5V, nominal) |

Block Diagram

LM3722/LM3723/LM3724 Block Diagram



20014435

Absolute Maximum Ratings (Note 1)

If Military/Aerospace specified devices are required, please contact the National Semiconductor Sales Office/Distributors for availability and specifications.

| | |
|---|------------------------------|
| V_{CC} , \overline{MR} | -0.3V to 6.0V |
| RESET, \overline{RESET} | -0.3V to ($V_{CC} + 0.3V$) |
| Input Current, V_{CC} Pin | 20mA |
| Output Current, RESET, \overline{RESET} Pin | 20mA |
| ESD Rating (Note 2) | 2kV |

Continuous Power Dissipation ($T_A = +70^\circ\text{C}$)

SOT-23 (Note 3)

320mW

Operating Temperature Range

Industrial:

-40°C to $+85^\circ\text{C}$

Extended:

-40°C to $+125^\circ\text{C}$

Maximum Junction Temperature

125°C

Storage Temperature Range

-65°C to $+160^\circ\text{C}$

Lead Temperature

(soldering, 10sec)

$+300^\circ\text{C}$

Electrical Characteristics

Typical values are at $T_A = +25^\circ\text{C}$. Limits with standard typeface are for $T_A = +25^\circ\text{C}$, and limits in boldface type apply for the operating temperature range (-40°C to $+85^\circ\text{C}$) for LM3722_IM5X, and (-40°C to $+125^\circ\text{C}$) for LM3722_EM5X, unless otherwise noted. (Note 4)

| Symbol | Parameter | Conditions | Min | Typ | Max | Units |
|-----------------|---|---|----------------------------------|------|---------------------------------|------------|
| V_{CC} | V_{CC} Range | | 1.0 | | 5.5 | V |
| I_{CC} | Supply Current ($I_{LOAD} = 0A$) | LM3722 _ -4.63 $V_{CC} = 5.5V$ | | 8 | 15 | μA |
| | | LM3722 _ -3.08 $V_{CC} = 3.6V$ | | 7 | 10 | |
| | | LM3722 _ -2.32 $V_{CC} = 2.5V$ | | 6 | 10 | |
| V_{TH} | Reset Threshold | LM3722 _ -4.63 | 4.54 4.50 | 4.63 | 4.72 4.75 | V |
| | | LM3722 _ -3.08 | 3.03 3.00 | 3.08 | 3.14 3.15 | |
| | | LM3722 _ -2.32 | 2.27 2.25 | 2.32 | 2.37 2.40 | |
| V_{TH} Tempco | Reset Threshold Temperature Coefficient | | | 30 | | ppm/°C |
| t_{RD} | V_{CC} to Reset Delay (Note 5) | $V_{CC} = V_{TH}$ to ($V_{TH} - 100mV$) | | 20 | | μs |
| t_{RP} | Reset Active Timeout Period | | 100 | 190 | 560 | ms |
| t_{MR} | \overline{MR} Minimum Pulse Width | | 10 | | | μs |
| t_{MD} | \overline{MR} to Reset Propagation Delay | | | 2 | | μs |
| | \overline{MR} Glitch Immunity (Note 6) | | | 100 | | ns |
| V_{IH} | \overline{MR} Input Threshold | $V_{CC} > V_{TH(MAX)}$, LM3722 _ -4.63 | 2.3 | | | V |
| V_{IL} | | | | | 0.8 | |
| V_{IH} | | $V_{CC} > V_{TH(MAX)}$, LM3722 _ -3.08, LM3722 _ -2.32 | 0.7 V_{CC} | | | |
| V_{IL} | | | | | 0.25 V_{CC} | |
| | \overline{MR} Pull-Up Resistance | | | 22 | | k Ω |
| V_{OL} | \overline{RESET} Output Voltage Low (LM3722) | $V_{CC} = V_{TH}$ min, $I_{SINK} = 1.2mA$, (LM3722-2.32/3.08) | | | 0.3 | V |
| | | $V_{CC} = V_{TH}$ min, $I_{SINK} = 3.2mA$, (LM3722-4.63) | | | 0.4 | |
| | | $V_{CC} > 1V$, $I_{SINK} = 50\mu A$ | | | 0.3 | |
| V_{OH} | \overline{RESET} Output Voltage High (LM3722) | $V_{CC} > V_{TH}$ max, $I_{SOURCE} = 500\mu A$, (LM3722-2.32/3.08) | 0.8 V_{CC} | | | V |
| | | $V_{CC} > V_{TH}$ max, $I_{SOURCE} = 800\mu A$, (LM3722-4.63) | $V_{CC} - 1.5$ | | | |
| V_{OL} | RESET Output Voltage Low (LM3723) | $V_{CC} = V_{TH}$ max, $I_{SINK} = 1.2mA$ (LM3723 -2.32/3.08) | | | 0.3 | V |
| | | $V_{CC} = V_{TH}$ max, $I_{SINK} = 3.2mA$ (LM3723 -4.63) | | | 0.4 | |

Electrical Characteristics (Continued)

Typical values are at $T_A = +25^\circ\text{C}$. Limits with standard typeface are for $T_A = +25^\circ\text{C}$, and limits in boldface type apply for the operating temperature range (-40°C to $+85^\circ\text{C}$) for LM372_IM5X, and (-40°C to $+125^\circ\text{C}$) for LM372_EM5X, unless otherwise noted. (Note 4)

| Symbol | Parameter | Conditions | Min | Typ | Max | Units |
|----------|---------------------------------------|---|-------------------------------|-----|------------|---------------|
| V_{OH} | RESET Output Voltage High (LM3723) | $1.8\text{V} < V_{CC} < V_{TH \text{ min}}, I_{SOURCE} = 150\mu\text{A}$ | $0.8V_{CC}$ | | | V |
| V_{OL} | RESET Output Voltage Low (LM3724) | $V_{CC} = V_{TH \text{ min}}, I_{SINK} = 1.2 \text{ mA}$ (LM3724 -2.32/3.08) | | | 0.3 | V |
| | | $V_{CC} = V_{TH \text{ min}}, I_{SINK} = 3.2 \text{ mA}$ (LM3724 -4.63) | | | 0.4 | |
| | | $V_{CC} > 1\text{V}, I_{SINK} = 50\mu\text{A}$ | | | 0.3 | |
| I_{IN} | RESET Output Leakage Current (LM3724) | $V_{CC} > V_{TH}, \overline{\text{RESET}} = 5.5\text{V}$ | | | 0.5 | μA |

Note 1: Absolute Maximum Ratings are limits beyond which damage to the device may occur. Operating Ratings are conditions under which the device operates correctly. Operating ratings do not imply guaranteed performance limits. For guaranteed performance limits and associated test conditions, see the Electrical Characteristics.

Note 2: The human body model is a 100pF capacitor discharged through a 1.5k Ω resistor into each pin.

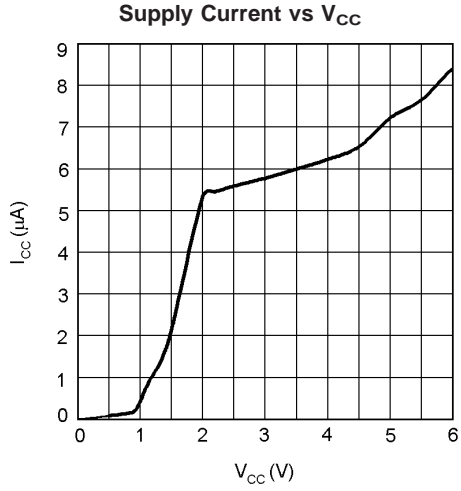
Note 3: At elevated temperatures, devices must be derated based on package thermal resistance. The device in the SOT23-5 package must be derated at 4.5mW/ $^\circ\text{C}$ at ambient temperatures above 70 $^\circ\text{C}$. The device has internal thermal protection.

Note 4: Production testing done at $T_A = +25^\circ\text{C}$. Limits over the operating temperature range are guaranteed through correlation using Statistical Quality Control (SQC) methods.

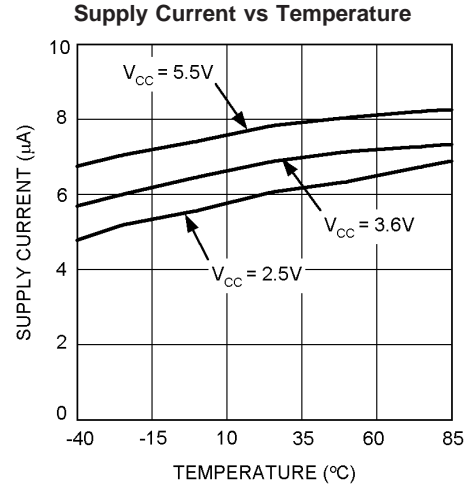
Note 5: RESET Output for LM3722 and LM3724, RESET output for LM3723.

Note 6: Glitches of 100 ns or less typically will not generate a reset pulse.

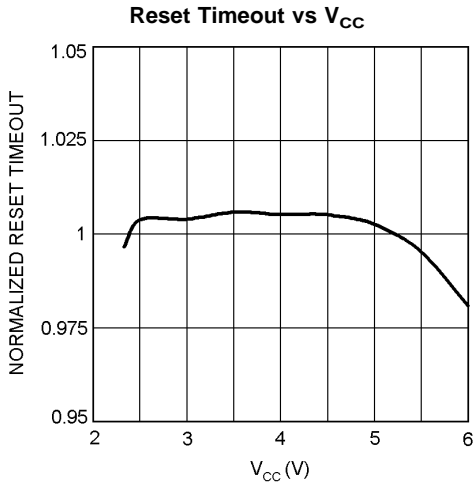
Typical Performance Characteristics



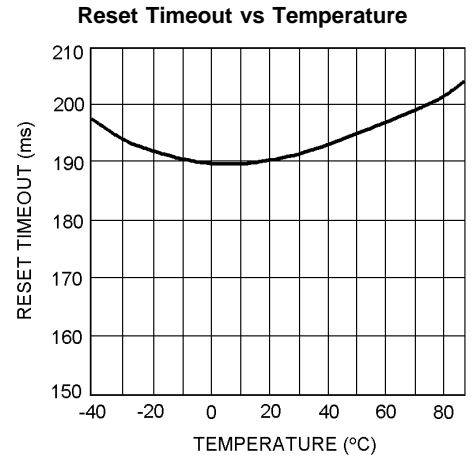
20014403



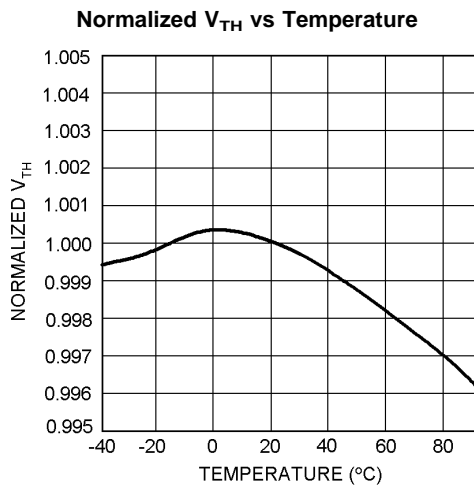
20014407



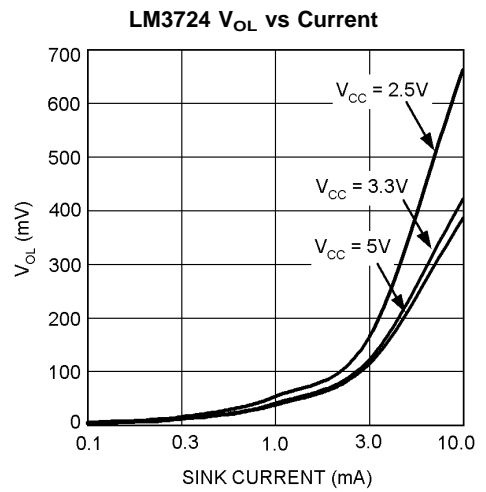
20014404



20014408



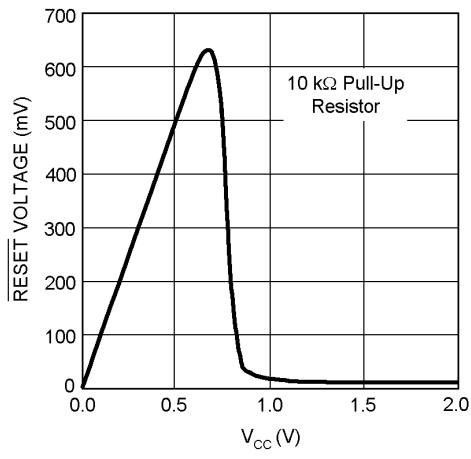
20014416



20014405

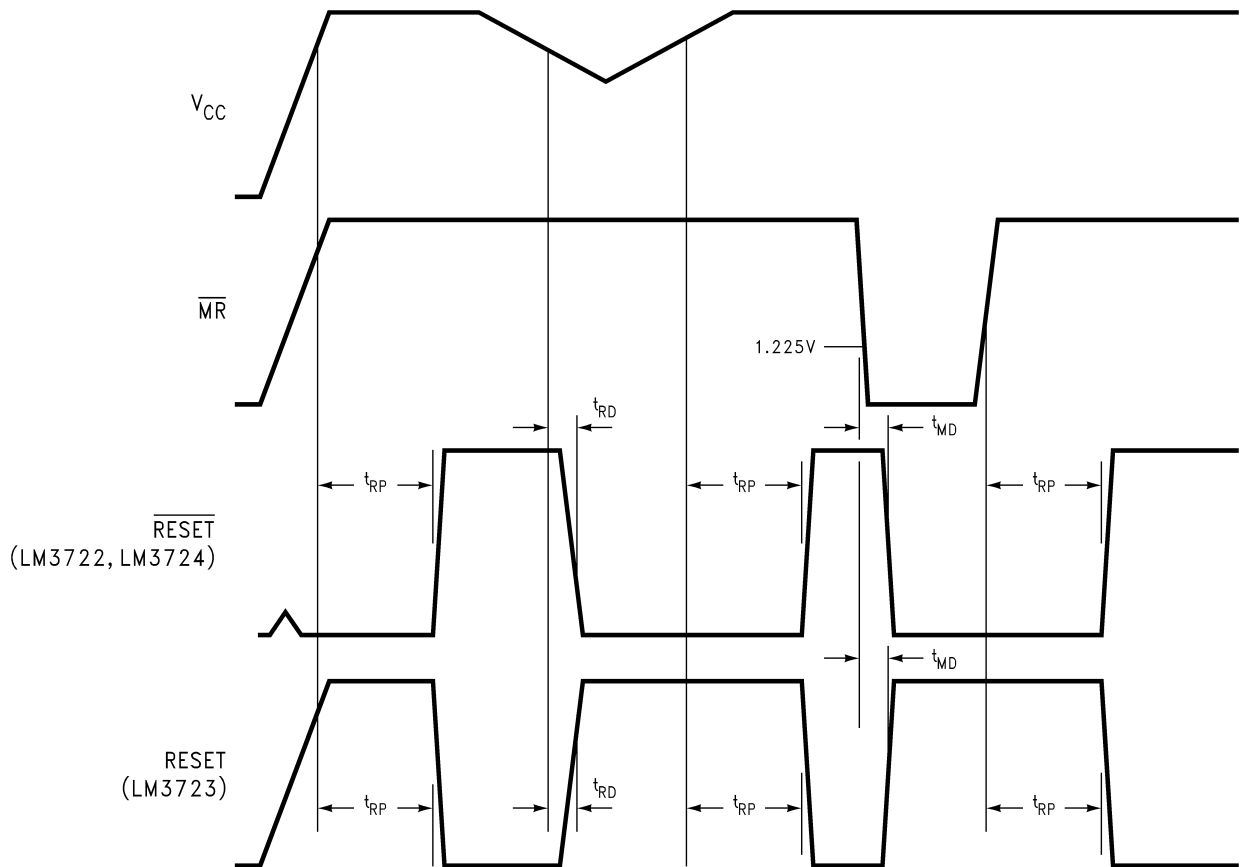
Typical Performance Characteristics (Continued)

LM3724 Low V_{CC} Characteristics



20014406

Timing Diagram



20014412

Circuit Information

Reset Output

The reset input of a μP initializes the device into a known state. The LM3722/LM3723/LM3724 microprocessor voltage monitoring circuits assert a forced reset output to prevent code execution errors during power-up, power-down, and brownout conditions.

\overline{RESET} is guaranteed valid for $V_{CC} \geq 1V$. Once V_{CC} exceeds the reset threshold, an internal timer maintains the output for the reset timeout period. After this interval, reset goes high and the microprocessor initializes itself into a known state. The LM3722 and LM3724 offer an active-low \overline{RESET} ; the LM3723 offers an active-high $RESET$.

As V_{CC} drops below the reset threshold (such as during a brownout), the reset activates (see the *Negative-Going V_{CC} Transients* section). When V_{CC} again rises above the reset threshold, the internal timer starts. Reset holds until V_{CC} exceeds the reset threshold for longer than the reset timeout period. After this time, reset releases.

Additionally, the Manual Reset input (\overline{MR}) will initiate a forced reset. See the *Manual Reset Input* section.

The LM3722/LM3723/LM3724 reset outputs ignore short duration glitches on V_{CC} and \overline{MR} . See the *Applications Information* section for details.

Reset Threshold

The LM3722/LM3723/LM3724 are available with reset voltages of 4.63V, 3.08V, and 2.32V which are suitable for monitoring 5.0V, 3.3V, and 2.5V supplies respectively. Other reset thresholds in the 2.20V to 5.0V range, in 10 mV steps, are available; contact National Semiconductor for details.

Manual Reset Input (\overline{MR})

Many μP -based products require a manual reset capability, allowing the operator to initiate a reset. The \overline{MR} input is fully debounced and provides an internal 22 k Ω pull-up. When the \overline{MR} input is pulled below V_{IL} (0.25 V_{CC}) for more than 100 ns, reset is asserted after a typical delay of 2 μs . Reset remains active as long as \overline{MR} is held low, and releases after \overline{MR} rises above V_{IH} and the reset timeout period expires. Use \overline{MR} with digital logic to assert reset or to daisy chain supervisory circuits.

Applications Information

Benefits of Precision Reset Thresholds

A microprocessor supply supervisor must provide a reset output within a predictable range of the supply voltage. A common threshold range is between 5% and 10% below the nominal supply voltage. The 4.63V, 3.08V and 2.32V options of the LM3722/LM3723/LM3724 use highly accurate circuitry to ensure that the reset threshold occurs only within this range (for 5.0V, 3.3V and 2.5V supplies). *Table 1* shows how the standard reset thresholds apply to 5.0V, 3.3V, and 2.5V nominal supply voltages.

Applications Information (Continued)

TABLE 1. Monitored Tolerance Table

| Reset Threshold | Supply Voltage | | |
|-----------------|----------------|------------|------------|
| | 2.5V | 3.3V | 5.0V |
| 4.63 ± % | | | 90.8-94.4% |
| 3.08 ± % | | 91.8-95.2% | |
| 2.32 ± % | 90.8-94.8% | | |

Ensuring a Valid Reset Output Down to $V_{CC} = 0V$

When V_{CC} falls below 1V, the LM3722 $\overline{\text{RESET}}$ output is unable to sink the rated current. A high-impedance CMOS logic input connected to $\overline{\text{RESET}}$ can therefore drift to undetermined voltages. To prevent this situation, a 100k Ω resistor should be connected from the $\overline{\text{RESET}}$ output to ground, as shown in Figure 1.

A 100k Ω pull-up resistor to V_{CC} is also recommended for the LM3723, if RESET is required to remain valid for $V_{CC} < 1V$.

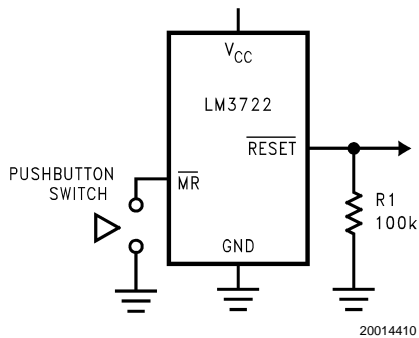


FIGURE 1. Circuit for $\overline{\text{RESET}}$ Valid from $V_{CC} = 0V$

Open Drain Output (LM3724)

An open drain output allows easy paralleling of multiple microprocessor reset circuits without requiring additional logic gates. Open drain outputs also allow interfacing devices of differing logic levels or families, since the output pull-up resistor may be connected to any supply voltage up to 5.5V, regardless of LM3724 V_{CC} .

The pull up resistor is calculated so that maximum current flow into $\overline{\text{RESET}}$ is less than 10 mA when activated. The

resistor must be small enough so that the leakage current of all connected devices does not create an excessive voltage drop when the output is not activated. A resistor value of 100 k Ω will generally suffice.

Negative-Going V_{CC} Transients

The LM3722/LM3723/LM3724 are relatively immune to short negative-going transients or glitches on V_{CC} . Figure 2 shows the maximum pulse width a negative-going V_{CC} transient can have without causing a reset pulse. In general, as the magnitude of the transient increases, going further below the threshold, the maximum allowable pulse width decreases. Typically, a V_{CC} transient that goes 125 mV below the reset threshold and lasts 40 μs or less will not cause a reset pulse. A 0.1 μF bypass capacitor mounted as close as possible to the V_{CC} pin will provide additional transient rejection.

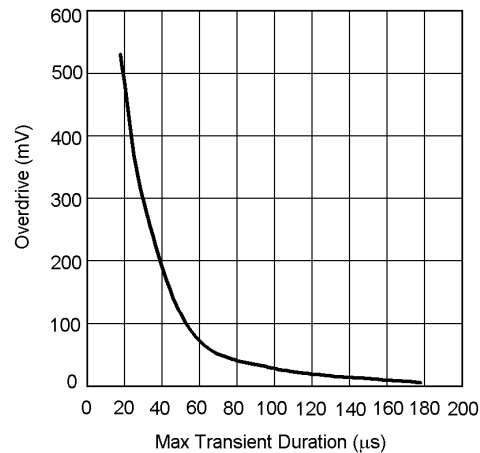
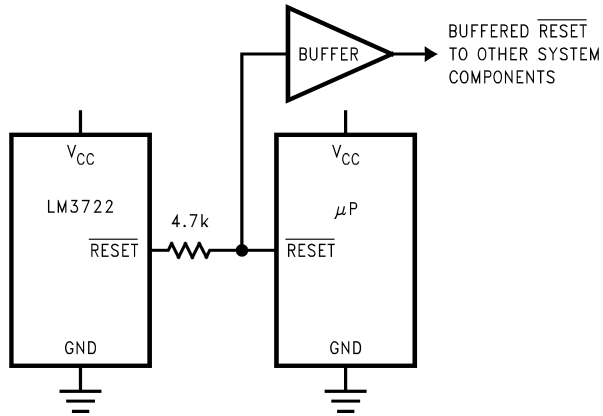


FIGURE 2. Maximum Transient Duration without Causing a Reset Pulse vs. Reset Comparator Overdrive

Interfacing to μPs with Bidirectional Reset Pins

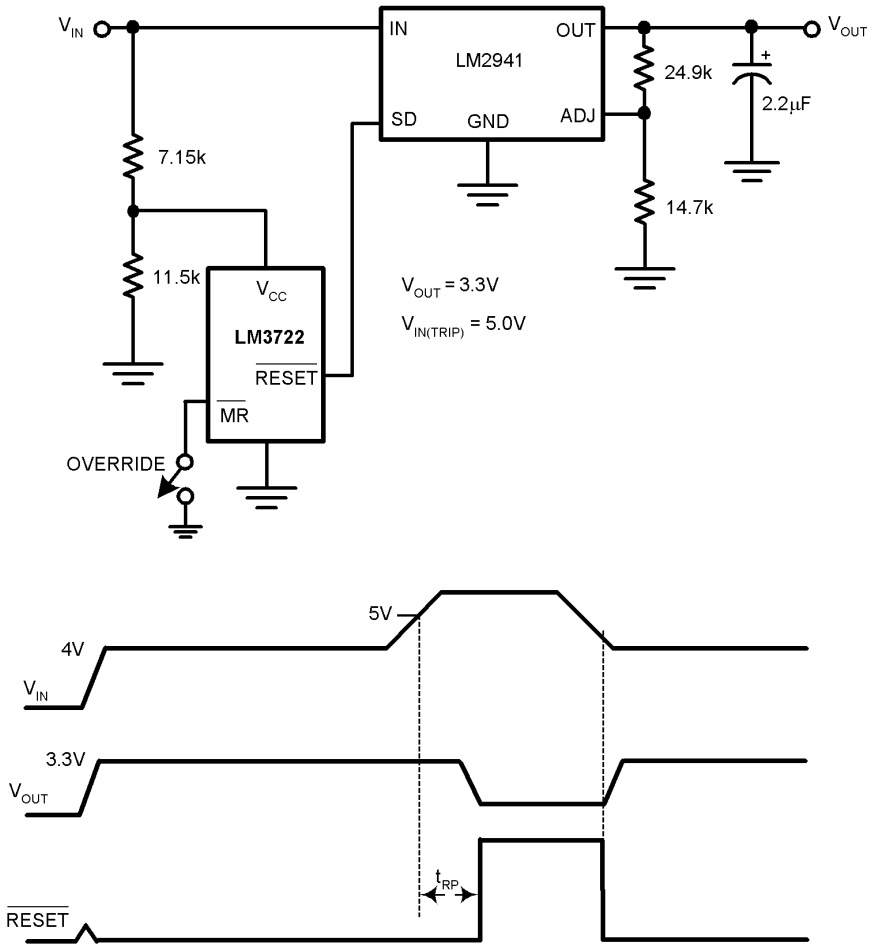
Microprocessors with bidirectional reset pins, such as the Motorola 68HC11 series, can be connected to the LM3722 $\overline{\text{RESET}}$ output. To ensure a correct output on the LM3722 even when the microprocessor reset pin is in the opposite state, connect a 4.7k Ω resistor between the LM3722 $\overline{\text{RESET}}$ output and the μP reset pin, as shown in Figure 3. Buffer the LM3722 $\overline{\text{RESET}}$ output to other system components.

Typical Application Circuits



20014411

FIGURE 3. Interfacing to Microprocessors with Bidirectional Reset I/O



20014422

FIGURE 4. Regulator/Switch with Long-Term Overvoltage Lockout Prevents Overdissipation in Linear Regulator

Typical Application Circuits (Continued)

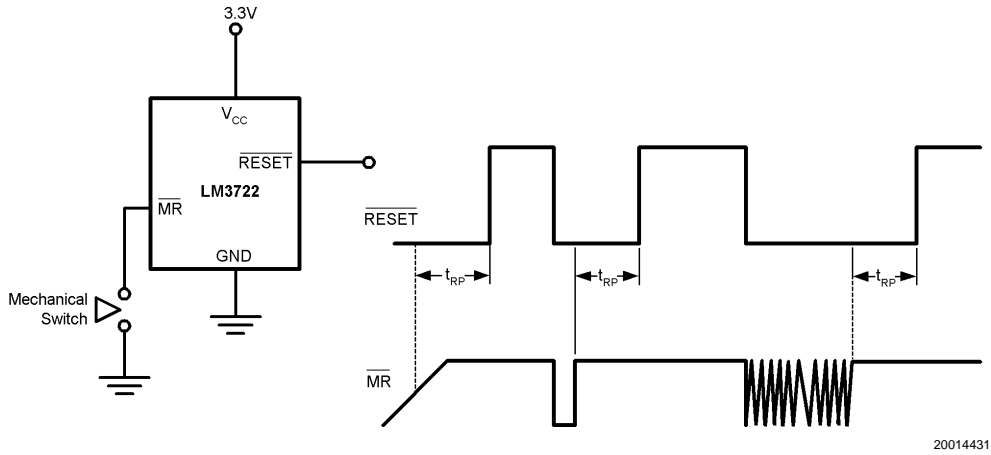


FIGURE 5. LM3722 Switch Debouncer

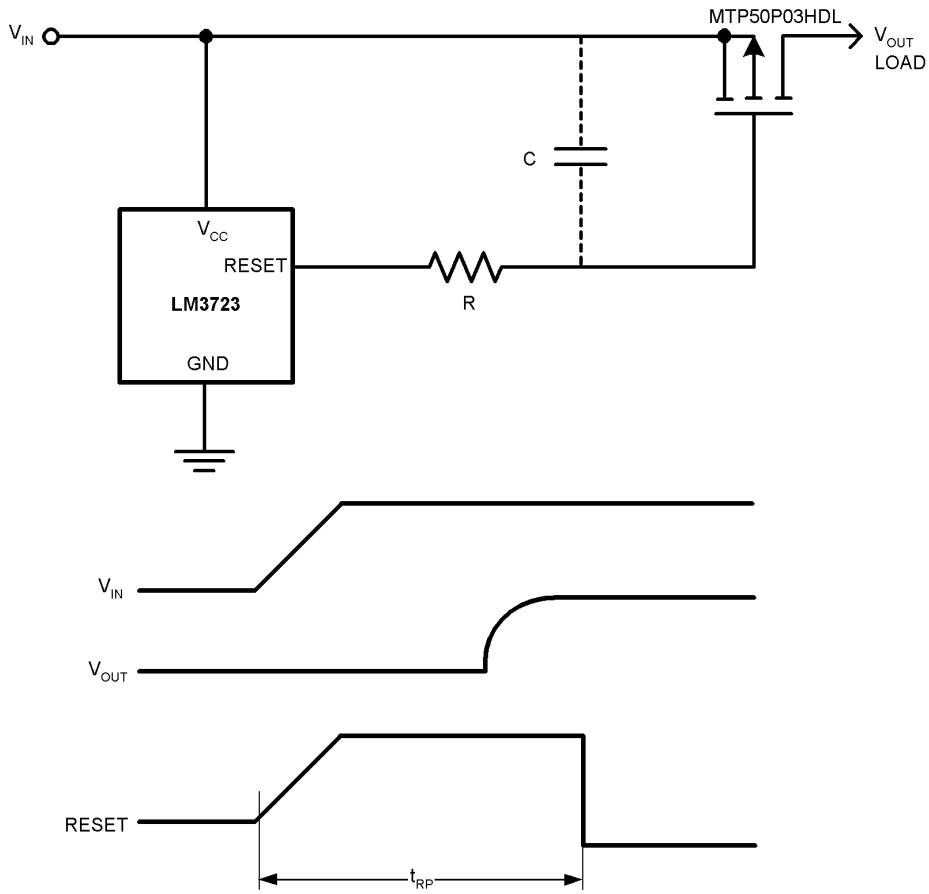
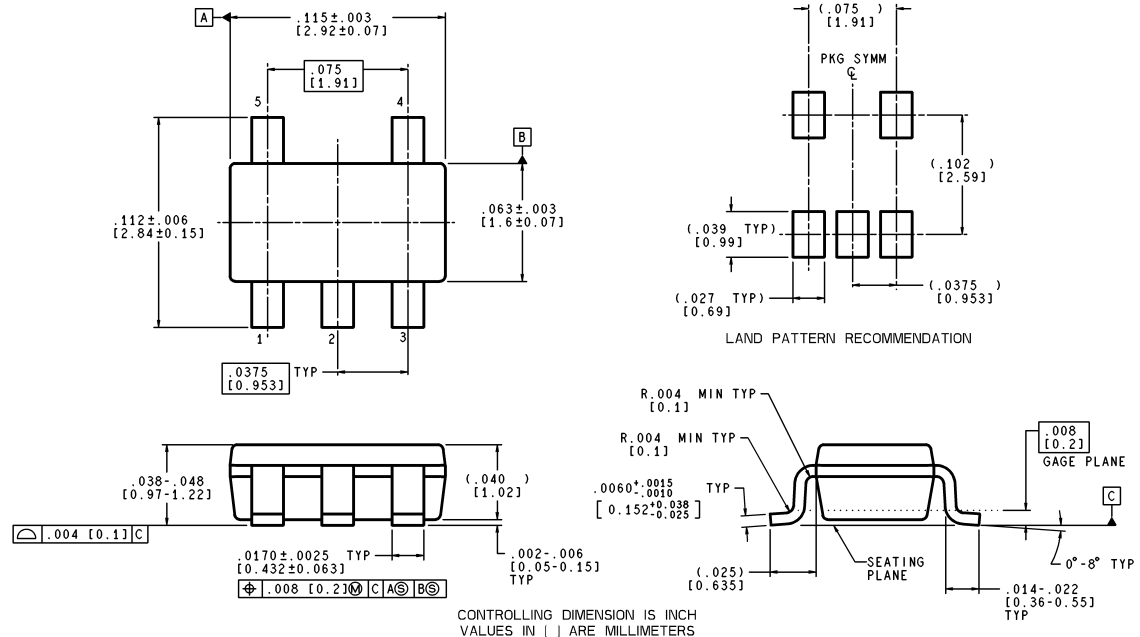


FIGURE 6. LM3723 Power-On Delay

Physical Dimensions inches (millimeters)

unless otherwise noted



MF05A (Rev A)

5-Lead SOT23-5

For Ordering, refer to Ordering Information table
NS Package Number MF05A

LIFE SUPPORT POLICY

NATIONAL'S PRODUCTS ARE NOT AUTHORIZED FOR USE AS CRITICAL COMPONENTS IN LIFE SUPPORT DEVICES OR SYSTEMS WITHOUT THE EXPRESS WRITTEN APPROVAL OF THE PRESIDENT AND GENERAL COUNSEL OF NATIONAL SEMICONDUCTOR CORPORATION. As used herein:

1. Life support devices or systems are devices or systems which, (a) are intended for surgical implant into the body, or (b) support or sustain life, and whose failure to perform when properly used in accordance with instructions for use provided in the labeling, can be reasonably expected to result in a significant injury to the user.
2. A critical component is any component of a life support device or system whose failure to perform can be reasonably expected to cause the failure of the life support device or system, or to affect its safety or effectiveness.



National Semiconductor Corporation
Americas
Email: support@nsc.com

www.national.com

National Semiconductor Europe
Fax: +49 (0) 180-530 85 86
Email: europe.support@nsc.com
Deutsch Tel: +49 (0) 69 9508 6208
English Tel: +44 (0) 870 24 0 2171
Français Tel: +33 (0) 1 41 91 8790

National Semiconductor Asia Pacific Customer Response Group
Tel: 65-2544466
Fax: 65-2504466
Email: ap.support@nsc.com

National Semiconductor Japan Ltd.
Tel: 81-3-5639-7560
Fax: 81-3-5639-7507

Copyright © Each Manufacturing Company.

All Datasheets cannot be modified without permission.

This datasheet has been download from :

www.AllDataSheet.com

100% Free DataSheet Search Site.

Free Download.

No Register.

Fast Search System.

www.AllDataSheet.com