

LM24P20

Medium Size Graphic Type LCD Module

Features

- 14 cm [5.7"] display size
- High contrast (20:1)
- Black & white display

Specifications

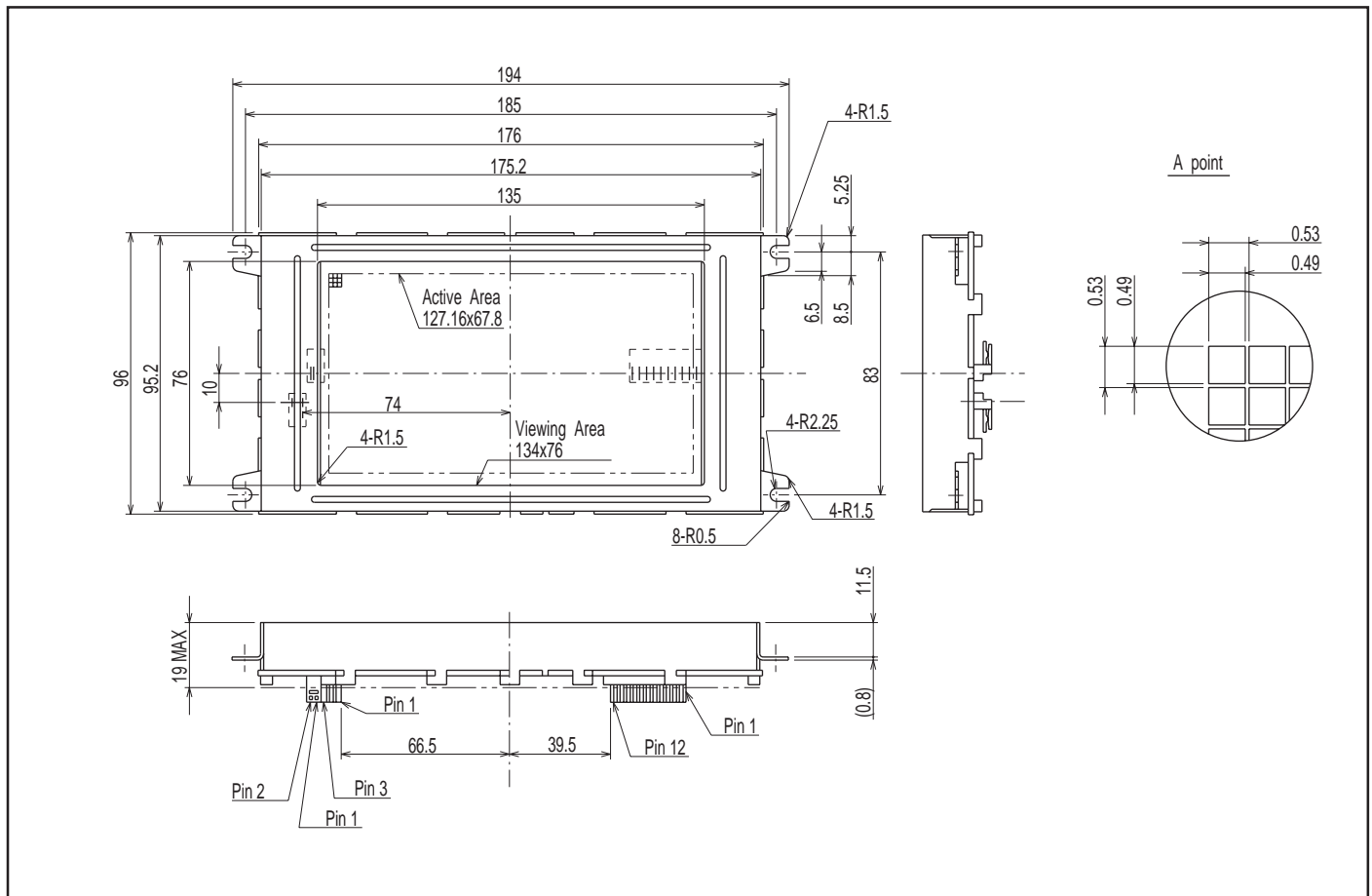
Parameter		Unit
Display size	14 [5.7]	cm ["]
Dot format (H x V)	240 x 128	dot
Dot pitch (H x V)	0.53 x 0.53	mm
Active area (H x V)	127.2 x 67.8	mm
Panel type	*1	-
Panel mode	Transmissive	-
Color	B/W	color
Contrast ratio	20 : 1	-
Response time	400 [-]	ms

Parameter		Unit
Brightness	50	cd/m ²
Duty ratio	1/128	-
Backlight type	1CCFT(E)	-
Power consumption panel	90	mW
	Backlight 1 500	mW
Outline dimensions (W x H x D)	176.0(194.0) x 96.0 x 19.0	mm
Weight	430	g
Operating temperature	0 to +45	°C
Storage temperature	-25 to +60	°C

*1...Triple Super Twisted Nematic

Outline Dimensions

unit : mm



Copyright © Each Manufacturing Company.

All Datasheets cannot be modified without permission.

This datasheet has been download from :

www.AllDataSheet.com

100% Free DataSheet Search Site.

Free Download.

No Register.

Fast Search System.

www.AllDataSheet.com