

DC-inlet filter, ECO design, front- or rear side mounting

new



Front or rear side mounting  
(Mating connector AMP Universal MATE-N-LOK or Molex MLX)



Rear side mounting  
(as shown with Mating Connector Molex HCS-125 or mating connector AMP Universal MATE-N-LOK or Molex MLX)



Snap-in mounting from front side  
(Mating connector AMP Universal MATE-N-LOK or Molex MLX)



### Description

- Panel Mount:
  - Screw-on version from front or rear side, snap-in version from front side
- 2 Functions:
  - Inlet, DC line filter in standard version
- Quick connect terminals 6.3 x 0.8 mm
- Alternative: version 5120 for AC applications

### Approvals

- VDE License Number: 40020642
- UL License Number: E72928

### Characteristics

- Compact high-performance DC-filter
- Optimal shielding due to completely closed filter case, unpotted
- Applications:
  - Mission Critical Ethernet LAN Routers
  - High uptime Ethernet LAN Switches
  - Fiber Optic WAN Switches
  - Fiber Optic WAN Multiplexer

### Other versions on request

- Snap-in for panel thickness >2mm to 3mm
- Solder terminals
- Quick-connect terminals 4.8 x 0.8 mm
- Capacity CY 5.5 nF
- with long earth pin in connector

### References

[General Product Information](#)

### Weblinks

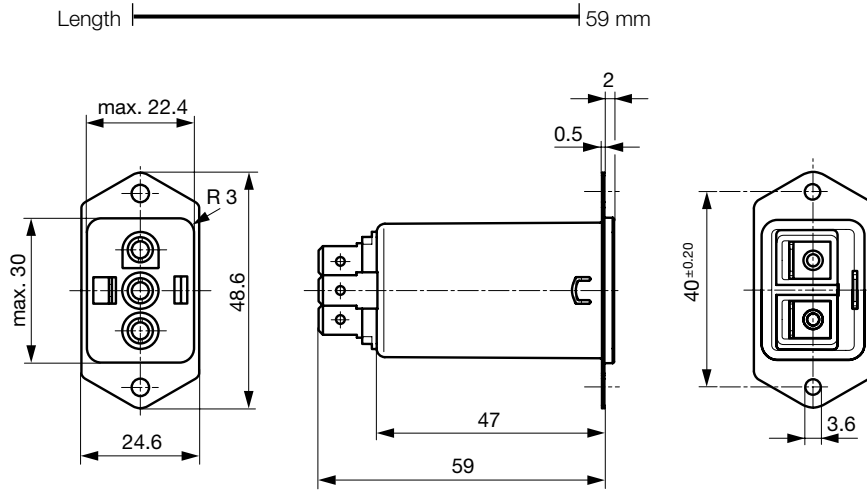
[Approvals](#), [RoHS](#), [CHINA-RoHS](#), [e-Store](#), [SCHURTER-Stock-Check](#), [Distributor-Stock-Check](#)

### Technical Data

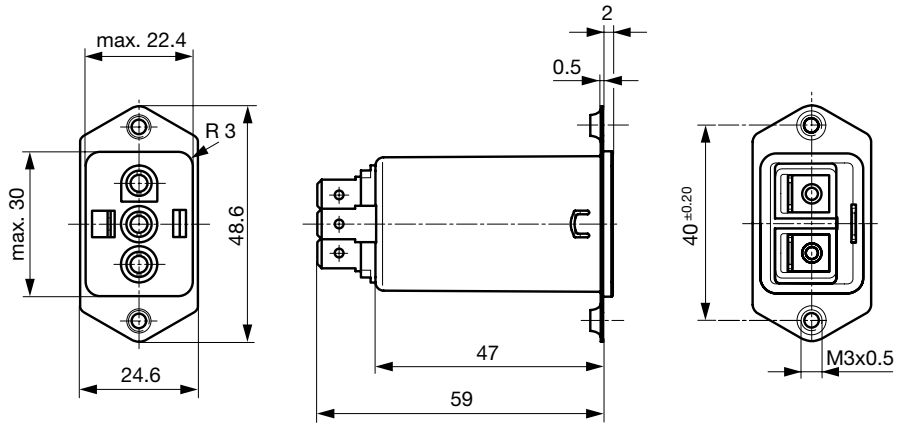
Ratings UL/CSA	3 - 15A @ Ta 40 °C / 125VDC
Dielectric Strength	> 0.5kVDC between live parts of differential potentials > 1.1kVDC between protective conductor and live parts Test voltage (2 sec)
Allowable Operation Temp.	-25 °C to 85 °C
Climatic Category	25/085/21 acc. to IEC 60068-1
Protection Class	Suitable for appliances with protection class I
Terminal	Quick connect terminals 6.3 x 0.8 mm
Panel Thickness s	Screw-on: max 8mm Mounting screw torque max 0.5Nm Snap-in: 0.8mm to 2mm (all steps with one variant)
Material: Housing	Themoplast / steel tin-plated, black / metallic, UL 94V-0

Line Filter	DC Standard Version, UL 1283 <a href="#">Technical details</a>
MTBF	> 3'900'000h acc. to MIL-HB-217 F

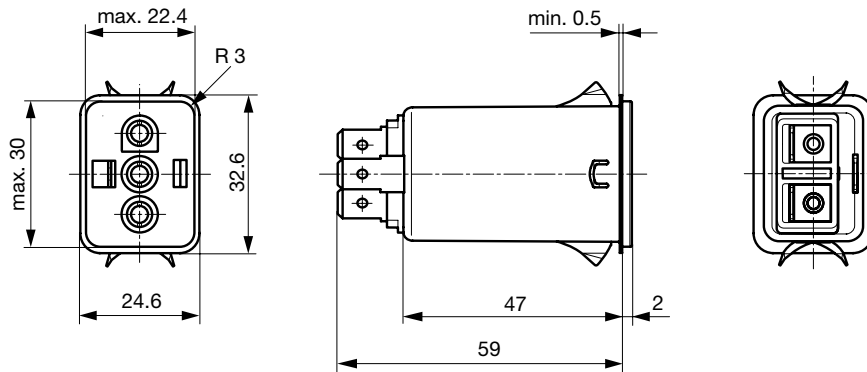
## Dimensions



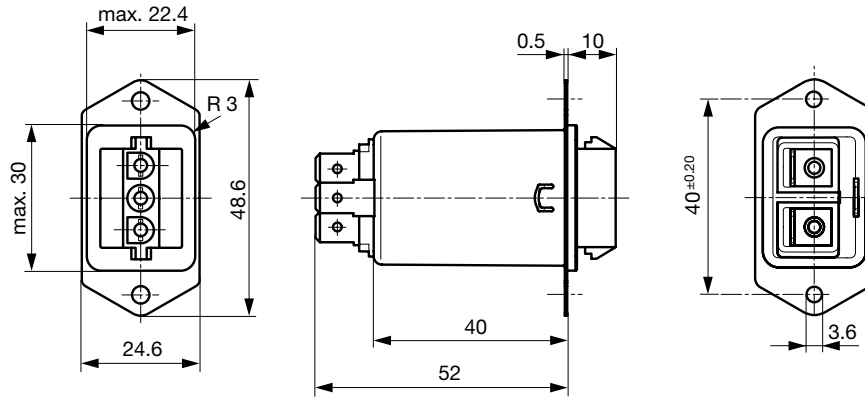
Mating Connector Molex HCS-125  
Front- or rear side mounting for screws with nuts or blind rivets



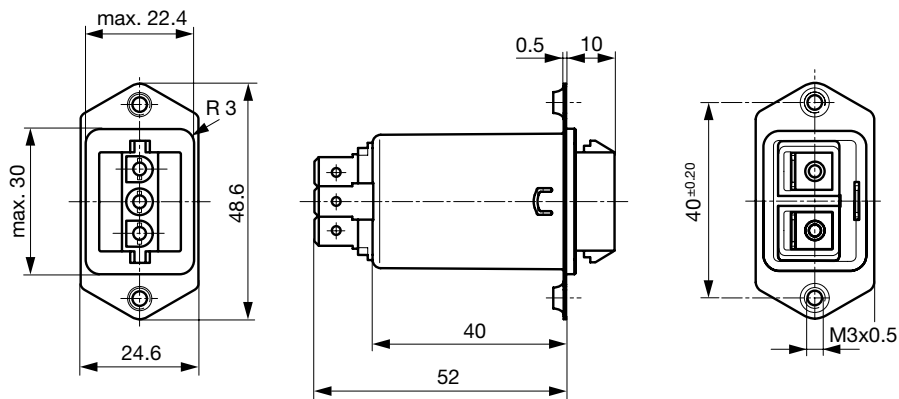
Mating Connector Molex HCS-125  
Rear side mounting with pre-formed, threaded holes for M3 screws



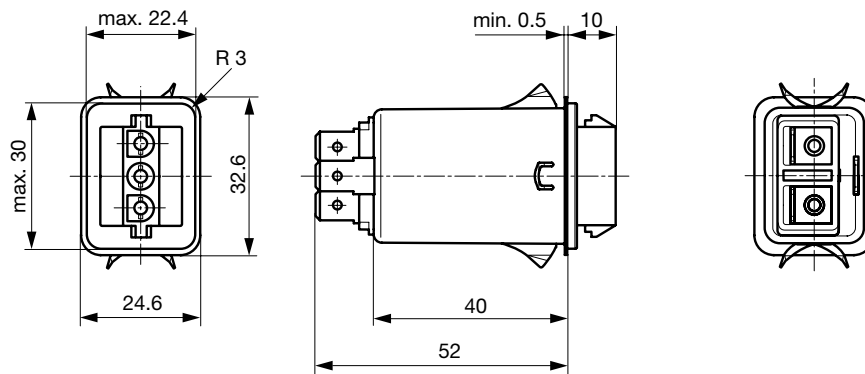
Mating Connector Molex HCS-125  
Snap-in mounting from front side



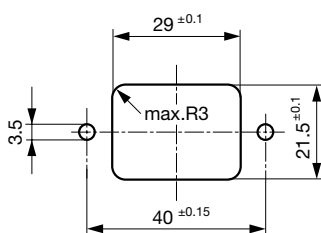
Mating Connector AMP Universal MATE-N-LOK oder Molex MLX  
Front or rear side mounting for screws with nuts or blind rivets



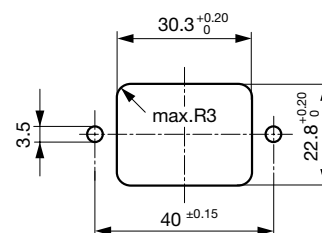
Mating Connector AMP Universal MATE-N-LOK oder Molex MLX  
Rear side mounting with pre-formed, threaded holes for M3 screws



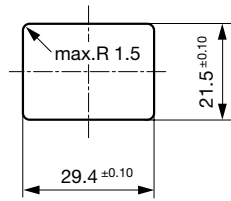
Mating Connector AMP Universal MATE-N-LOK oder Molex MLX  
Snap-in mounting from front side



Panel cutout for front side mounting



Panel cutout for rear side mounting

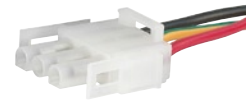


Panel cutout for snap-in mounting

Mating Connector



Molex HCS-125  
Housing: Molex no. 03-12-1036  
Female terminal (3 needed per housing): Molex no. 18-12-1222

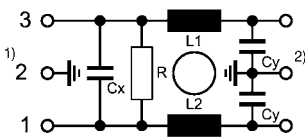


AMP Universal MATE-N-LOK  
Housing: AMP no. 1-480700-0  
Female terminal (3 needed per housing): AMP no. 926901-1  
Molex MLX  
Housing: Molex no. 50-84-1030  
Female terminal (3 needed per housing): Molex no. 02-08-1002

### Technical Data of Filter-Components

Rated Current [A]	Filter-Type	Inductances L [mH]	Capacitance CX [nF]	Capacitance CY [nF]	R [MΩ]
3	DC Standard Version	2 x 4	100	4.7	1
6	DC Standard Version	2 x 0.8	100	4.7	1
10	DC Standard Version	2 x 0.4	100	4.7	1
15	DC Standard Version	2 x 0.1	100	4.7	1

### Diagrams



1) Line  
2) Load

### Attenuation Loss

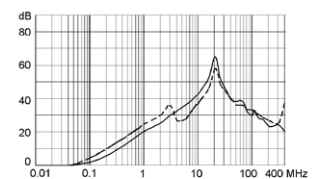
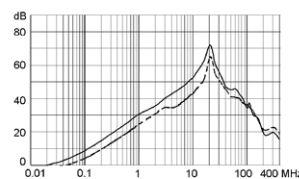
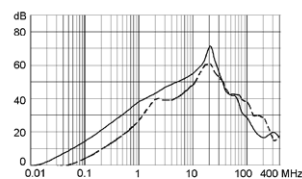
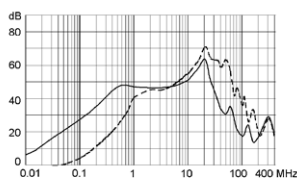
Standard version  
3 A

--- differential mode    \_\_\_\_ common mode

6 A

10 A

15 A



## Variants

Distributor-Stock-Check | SCHURTER-Stock-Check | e-Store

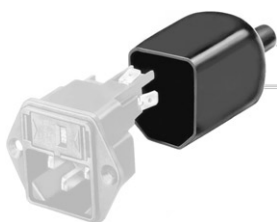
Rated Current [A]	Panel mounting	Mounting side	Mating Connector	Order Number
3	Snap-in	Front-Side	Molex HCS-125	5003.0131.1
6	Snap-in	Front-Side	Molex HCS-125	5003.0231.1
10	Snap-in	Front-Side	Molex HCS-125	5003.0331.1
15	Snap-in	Front-Side	Molex HCS-125	5003.0431.1
3	Screw-on	Rear-Side	Molex HCS-125	5003.0121.1
6	Screw-on	Rear-Side	Molex HCS-125	5003.0221.1
10	Screw-on	Rear-Side	Molex HCS-125	5003.0321.1
15	Screw-on	Rear-Side	Molex HCS-125	5003.0421.1
3	Screw-on/Rivet	Front-/Rear-Side	Molex HCS-125	5003.0111.1
6	Screw-on/Rivet	Front-/Rear-Side	Molex HCS-125	5003.0211.1
10	Screw-on/Rivet	Front-/Rear-Side	Molex HCS-125	5003.0311.1
15	Screw-on/Rivet	Front-/Rear-Side	Molex HCS-125	5003.0411.1
3	Snap-in	Front-Side	AMP / Molex MLX	5003.1131.1
6	Snap-in	Front-Side	AMP / Molex MLX	5003.1231.1
10	Snap-in	Front-Side	AMP / Molex MLX	5003.1331.1
15	Snap-in	Front-Side	AMP / Molex MLX	5003.1431.1
3	Screw-on	Rear-Side	AMP / Molex MLX	5003.1121.1
6	Screw-on	Rear-Side	AMP / Molex MLX	5003.1221.1
10	Screw-on	Rear-Side	AMP / Molex MLX	5003.1321.1
15	Screw-on	Rear-Side	AMP / Molex MLX	5003.1421.1
3	Screw-on/Rivet	Front-/Rear-Side	AMP / Molex MLX	5003.1111.1
6	Screw-on/Rivet	Front-/Rear-Side	AMP / Molex MLX	5003.1211.1
10	Screw-on/Rivet	Front-/Rear-Side	AMP / Molex MLX	5003.1311.1
15	Screw-on/Rivet	Front-/Rear-Side	AMP / Molex MLX	5003.1411.1

Type for screw on mounting from rear side has pre-threaded holes for M3 screws

Packaging unit 10 Pcs

## Accessory

## Description

Assorted Covers  
Rear Cover

0859.0048

Cord retaining kits  
Cord retaining strain relieve