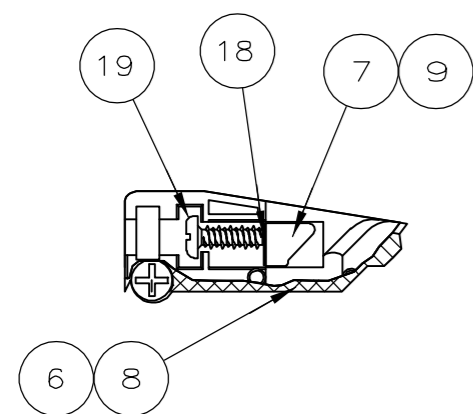
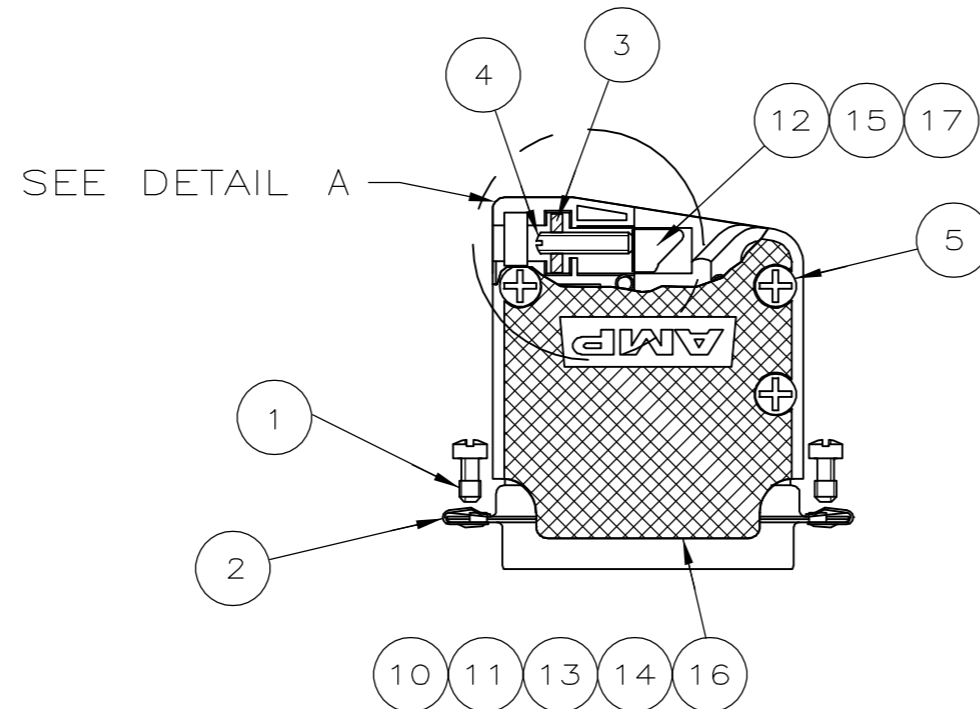


THIS DRAWING IS UNPUBLISHED. RELEASED FOR PUBLICATION  
 © COPYRIGHT 2006 BY TYCO ELECTRONICS CORPORATION. ALL RIGHTS RESERVED.

LOC	DIST	REVISIONS					
GP	00	P	LTR	DESCRIPTION	DATE	DWN	APVD
		0		RELEASED PER EC 0513-0221-05	12SEPT05	RR	JG



DETAIL A  
FOR -1 & 2 ONLY



-3, -4, -5,  
1--1, 1--2,  
2--2 & 2--6

- 1 PARTS PACKAGED UNASSEMBLED.
- △ STAINLESS STEEL.
- △ ZINC PLATED YELLOW CHROMATE COATING.
- △ STEEL.
- △ ZINC PLATED CLEAR CHROMATE COATING.
- △ BRASS.
- △ BLACK ZINC PHOSPHATE.

CONTENTS BULK PACKAGED BY ITEM										ITEM NO	
CONTENTS PACKAGED ONE KIT PER POLY BAG										ITEM NO	
-	-	-	-	-	-	-	-	1	1	GATE SCREW △4 △7	19
-	-	-	-	-	-	-	-	1	1	SHIM △6	18
-	-	-	-	1	-	-	-	-	-	SIZE 5 GATE	17
-	-	-	-	1	-	-	-	-	-	SIZE 5 HOUSING	16
-	-	-	-	1	-	-	-	-	-	SIZE 4 GATE	15
-	-	-	-	1	-	-	-	-	-	SIZE 4 HOUSING	14
1	-	1	-	-	-	-	-	-	-	SIZE 3 SHORT HOUSING	13
1	1	1	-	-	-	1	-	-	-	SIZE 3 GATE	12
-	1	-	-	-	-	1	-	-	-	SIZE 3 HOUSING	11
-	-	-	1	-	-	-	-	-	-	SIZE 2 SHORT HOUSING	10
-	-	-	1	-	-	-	1	-	-	SIZE 2 GATE	9
-	-	-	-	-	-	-	1	-	-	SIZE 2 HOUSING	8
-	-	-	-	-	-	-	-	1	-	SIZE 1 GATE	7
-	-	-	-	-	-	-	-	1	-	SIZE 1 HOUSING	6
2	3	2	3	3	3	3	2	1	-	PH HD #5-21 HI-LO SCREW △4 △5	5
1	1	1	-	1	1	1	-	-	-	SLOTTED SET SCREW △4 △5	4
1	1	1	-	1	1	1	-	-	-	SQUARE NUT △4	3
2	2	2	2	2	2	2	2	2	-	CLIP △2	2
2	2	2	2	2	2	2	2	2	-	RETAINING SCREW △3 △4	1

THIS DRAWING IS A CONTROLLED DOCUMENT.		DWN R.RICHARDSON 12SEPT05	Tyco Electronics Corporation Harrisburg, PA 17105-3608	
DIMENSIONS: INCHES		CHK C.ROHDE 12SEPT05	NAME M.WALMSLEY 12SEPT05	
TOLERANCES UNLESS OTHERWISE SPECIFIED:		PRODUCT SPEC		
0 PLC ± - 1 PLC ± - 2 PLC ± - 3 PLC ± - 4 PLC ± - ANGLES ± -		APPLICATION SPEC		
MATERIAL HOUSING & GATES: POLYPROPYLENE		WEIGHT -		
HARDWARE: △2 △4 △6		FINISH HOUSING & GATES: BLACK HARDWARE: △3 △5 △7		
CUSTOMER DRAWING		SIZE A2	CAGE CODE 00779	DRAWING NO C=5206478
SCALE 2:1		SHEET 1 of 1		REV 0