

Distributed by:

**JAMECO**<sup>®</sup>  
ELECTRONICS

**www.Jameco.com ♦ 1-800-831-4242**

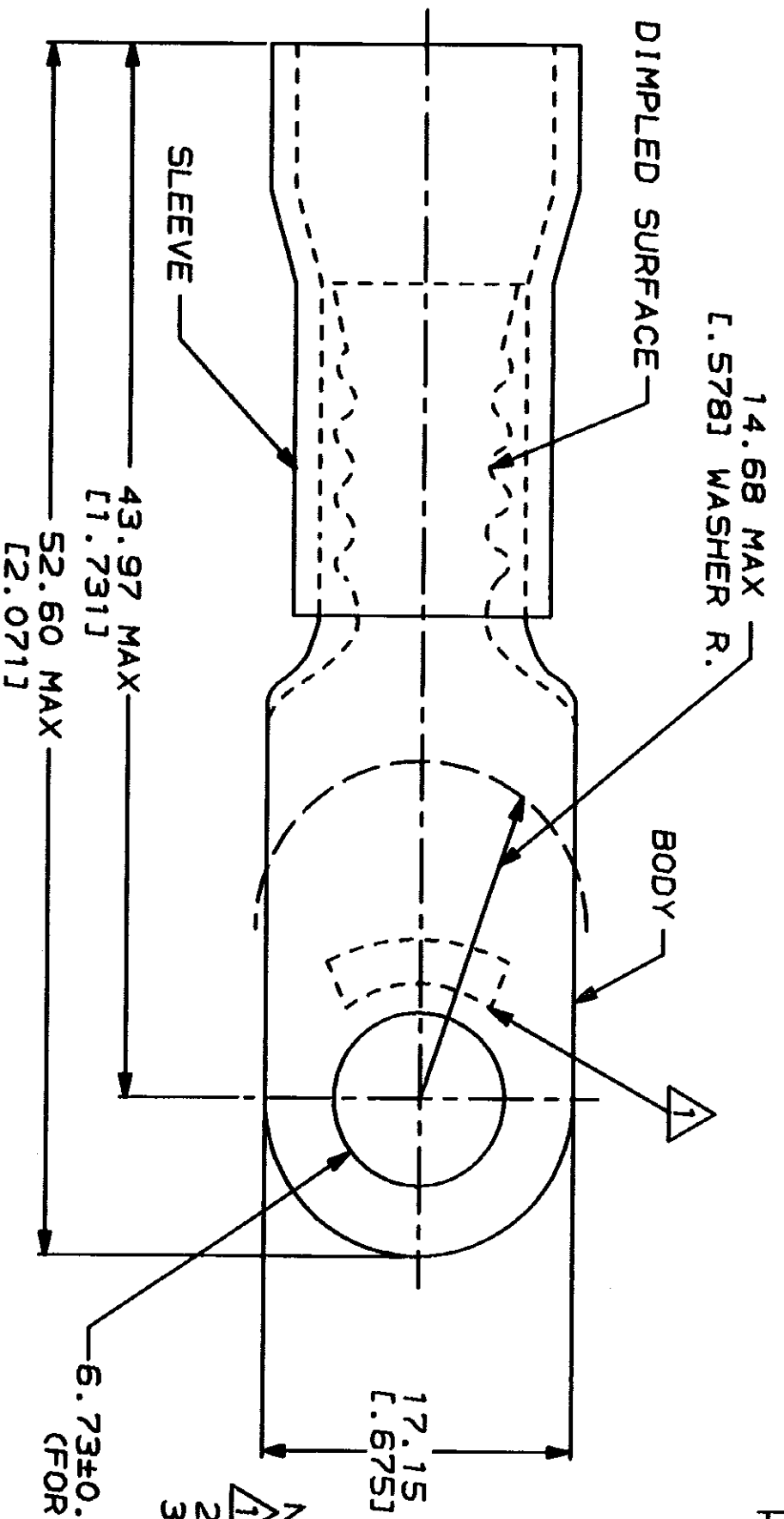
The content and copyrights of the attached  
material are the property of its owner.

Jameco Part Number 952386

LOC	DIST	REV	DESCRIPTION	DATE	APPD
G	14	F	REV / 0720-0324-93	2/9/94	JH

<b>AMP</b> WIRE RANGE	<b>FILE</b> E13288	<b>LR7189</b> Certified
2 AWG STRANDED	2 AWG STRANDED	2 AWG STRANDED

**METRIC**  
 DIMENSIONS LISTED IN mm [ INCHES ]



**AMP INCORPORATED  
 CUSTOMER SERVICE SYSTEMS**

FOR ADDITIONAL PRODUCT INFORMATION OR COPIES OF DRAWINGS AND TECHNICAL DOCUMENTS	1-800-522-6752	PRODUCT INFORMATION CENTER
FOR APPLICATION TOOLING INFORMATION	1-800-722-1111	TOOLING ASSISTANCE CENTER
FOR ORDER ENTRY	1-800-526-5142	

MAX RECOMMENDED OPERATING TEMPERATURE:	90°C
VOLTAGE RATING:	500 V MAX
CIRCULAR MIL AREA: 26.85-42.41mm² [52,600-83,700] STRANDED	

DO NOT SCALE PRINT. UNLESS SPECIFIED	
TOLERANCES ON: 1 DIMENSIONS 2 PLG DEC ± 0.20(1.000) 3 PLG DEC ± .	
MATERIAL: COPPER PER ASTM B-152 PVC, COLOR: RED	
FINISH: TIN PLATE PER MIL-T-10727	

DR 9-23-83	S.S. GULLUM	AMP	AMP Incorporated Harrisburg, PA 17105-3608
CHK 9-23-83	J. WHEAT		
APPD 9-23-83	R. BARR		
APPD 9-23-83	A. GILIS		
PRODUCT SPEC	NOT AVAILABLE	NAME	TERMINAL, RING TONGUE, PLASTI-GRIP, WIRE SIZE: 2 AWG
APPLICATION SPEC	NOT AVAILABLE	SIZE	B
WEIGHT	NOT AVAILABLE	SCALE	NTS
		CAGE CODE	00779
		DRAWING NO	52267
		SHEET	1 OF 1

OBsolete	50	LOOSE PC BOX	52267-1
14.32	50	LOOSE PC	52267
1.5201			
15.05			
1.6325			