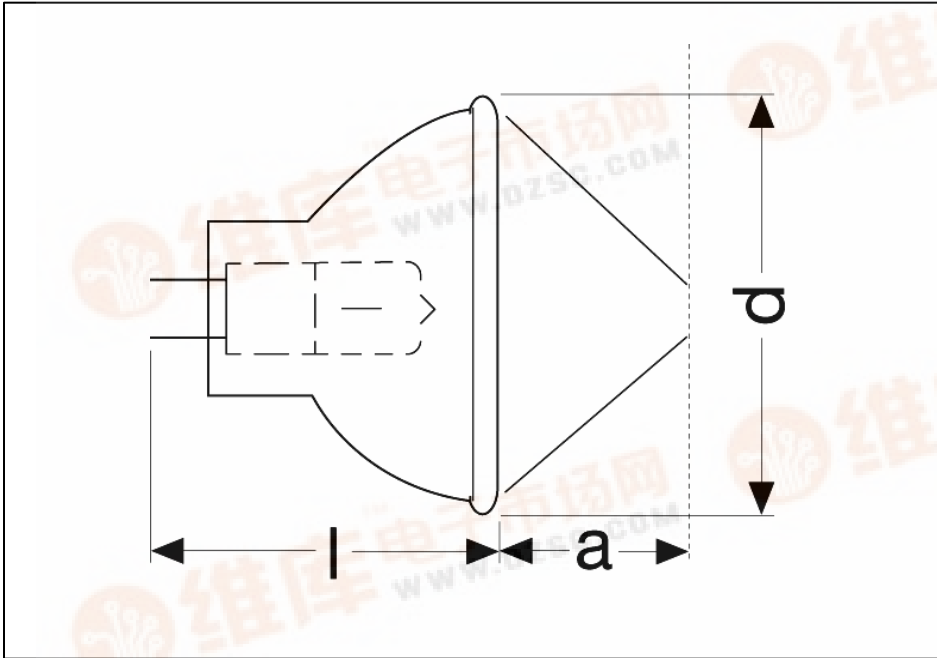


Product Information Bulletin

64635 HLX

Tungsten-Halogen Lamp



64635 HLX (NAED 54162) Tungsten-Halogen Lamp

- Tungsten halogen infrared lamp (IR)
- Quartz halogen capsule
- MR 16 reflector with gold coating
- Optimised for IR output
- HLX, XENOPHOT® technology
 - Xenon gas fill
 - up to 10% more light / lumens

Technical Data

| | | |
|--|-----------------------------|-----|
| Lamp / order reference (Product ordering number) | 64635 HLX (54162) | |
| Electrical data: | | |
| Rated lamp wattage (power) | 150 | W |
| Rated lamp voltage | 15 | V |
| Geometrical data: | | |
| Length l max | 45 | mm |
| Diameter d | 51 | mm |
| Working distance a | 19 | mm |
| Other data: | | |
| Average service life | 50 | hrs |
| Base | GZ 6.35 | |
| Coating | Gold | |
| Operating position | p90 | |

Application Information

Applications

- Heating / infrared
 - temperature at focus point approximately 1,300 °C
- Soldering
- Welding

WARNING

The lamp emits ultraviolet (uv) radiation and operates at high internal pressure. **Before use** read the complete warning accompanying the product.

Disposal

When disposing of spent lamps, always consult federal, state, local and provincial hazardous waste disposal rules and regulations to ensure proper disposal.

Ordering Information

| Lamp Description | NAED Code | Standard Case Quantity |
|------------------|-----------|------------------------|
| 64635 HLX | 54162 | 50/case |

For Orders and
General Information:
OSRAM SYLVANIA
National Customer
Support Center
18725 N. Union Street
Westfield, IN 46074

Photo-Optic
Phone: 1-888-677-2627
Phone: 1-888-OSRAMCS
Fax: 1-800-762-7192

Special Markets
Phone: 1-800-762-7191
Fax: 1-800-762-7192

Industrial and Commercial
Phone: 1-800-255-5042
Fax: 1-800-255-5043

In Canada
OSRAM SYLVANIA LTD.
Headquarters
2001 Drew Road
Mississauga, ON L5S 1S4

Industrial and Commercial
Phone: 1-800-263-2852
Fax: 1-800-667-6772

Special Markets
Phone: 1-800-265-2852
Fax: 1-800-667-6772

Visit our website: www.sylvania.com

OSRAM
SYLVANIA