

Distributed by:

JAMECO[®]
ELECTRONICS

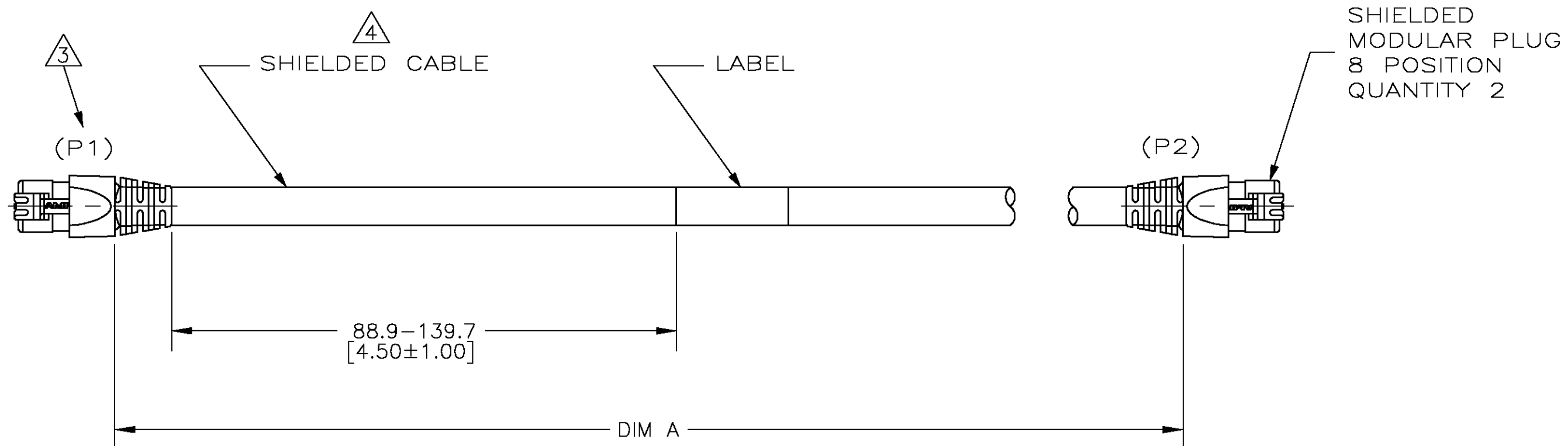
www.Jameco.com ♦ 1-800-831-4242

The content and copyrights of the attached
material are the property of its owner.

Jameco Part Number 755016

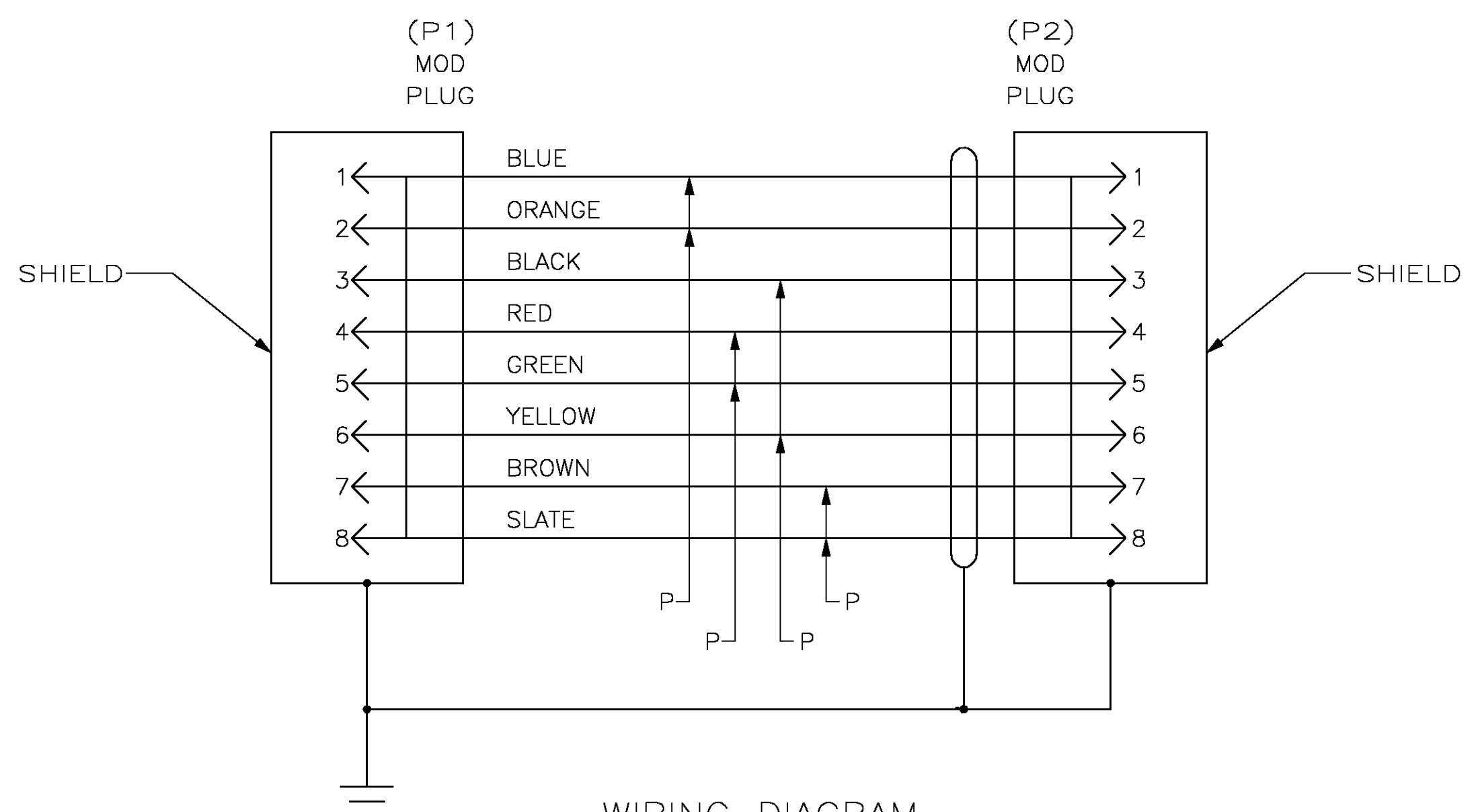
THIS DRAWING IS UNPUBLISHED. RELEASED FOR PUBLICATION
 © COPYRIGHT BY TYCO ELECTRONICS CORPORATION. ALL RIGHTS RESERVED.

LOC	DIST	REVISIONS					
EH	00	P	LTR	DESCRIPTION	DATE	DWN	APVD
		E		REV-EC 0B10-0075-03	21MAY03	LH	MD
		F		REV-EC 0B10-0159-03	23DEC03	LH	LS
		G		REV-EC 0B10-0028-04	19FEB04	LH	LS



SHIELDED MODULAR PLUG 8 POSITION QUANTITY 2

- ONE CABLE PACKAGED IN A CLEAR POLYBAG.
- DIMENSIONS ARE MAXIMUM UNLESS OTHERWISE SPECIFIED.
- DESIGNATIONS IN PARENTHESES () ARE FOR REFERENCE ONLY.
- CABLE: SHIELDED 26 AWG, 4 TWISTED PAIRS AND 1 DRAIN WIRE 7/32 STRANDED CONDUCTORS, 100 OHMS, CATEGORY 5.
- ALTERNATIVE COLOR CODE FOR CABLE WITH DIFFERENT COLOR CONDUCTORS MAY BE USED.
 - WHT/GRN, 2. GRN, 3. WHT/ORG, 4. BLU, 5. WHT/BLU, 6. ORG, 7. WHT/BRN, 8. BRN



WIRING DIAGRAM 568A

FEET (REF)	DIM A	PART NO
1	12.00-15.00	1-557827-1
50	600.00-604.00	1-557827-0
75	900.00-904.00	557827-9
10	120.00-123.00	557827-8
20	240.00-244.00	557827-7
16	192.00-196.00	557827-6
12	144.00-147.00	557827-5
8	96.00-99.00	557827-4
6	72.00-75.00	557827-3
4	48.00-51.00	557827-2
2	24.00-27.00	557827-1

THIS DRAWING IS A CONTROLLED DOCUMENT.

DWN L. HALL 21MAY03	Tyco Electronics Corporation Harrisburg, PA., 17105-3608				
CHK M. DELPHIAS 21MAY03					
APVD M. DELPHIAS 21MAY03					
PRODUCT SPEC					
APPLICATION SPEC	NAME				
WEIGHT	CABLE ASSEMBLY, STRANDED & SHIELDED, MOD PLUG, 8 POSITION, CATEGORY 5				
MATERIAL	SIZE	CAGE CODE	DRAWING NO	RESTRICTED TO	
	A2	00779	C=557827	-	
	CUSTOMER DRAWING	SCALE	NTS	SHEET 1 OF 1	REV G

557827