

Part Number 601188 5x7 mm SMD, 1.8V, HCMOS

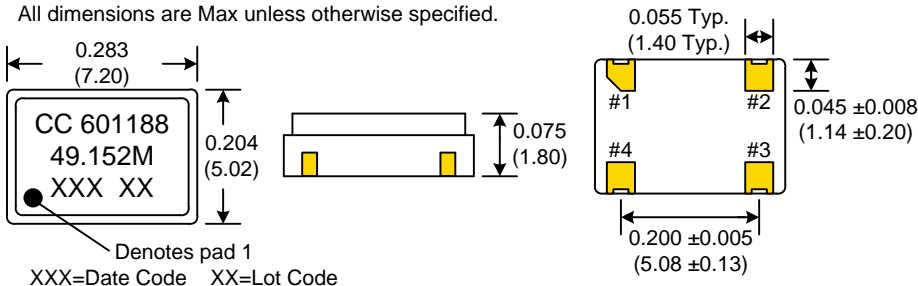
Frequency:	49.152MHz
Frequency Stability:	±50ppm Max
Temperature Range:	
Operating:	-40°C to 85°C
Storage:	-55°C to 125°C
Input Voltage:	1.8V ±0.18V
Input Current:	9mA Typ., 18mA Max
Standby Current:	10uA
Output:	HCMOS
Symmetry:	45/55% Max @ 50% Vdd
Rise/Fall Time:	3.5ns Max @ 20% to 80% Vdd
Logic:	"0" = 0.4V Max "1" = 1.2V Min
Load:	15pF
Start-Up Time:	5mS Max
Disable Time:	100nS Max
Phase Jitter 12KHz~20MHz:	0.5psec Typ., 1psec Max RMS
Aging:	<3ppm first year <1ppm every year thereafter



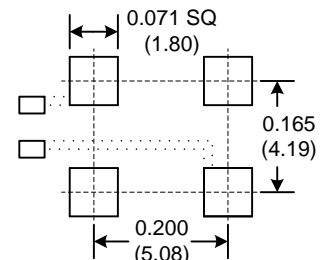
Mechanical:	
Shock:	MIL-STD-883, Method 2002, Condition B
Solderability:	MIL-STD-883, Method 2003
Vibration:	MIL-STD-883, Method 2007, Condition A
Solvent Resistance:	MIL-STD-202, Method 215
Resistance to Soldering Heat:	MIL-STD-202, Method 210, Condition I or J
Environmental:	
Thermal Shock:	MIL-STD-883, Method 1011, Condition A
Moisture Resistance:	MIL-STD-883, Method 1004

Dimensions inches (mm)

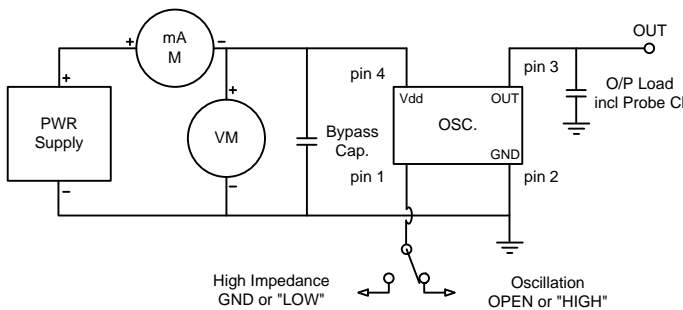
All dimensions are Max unless otherwise specified.



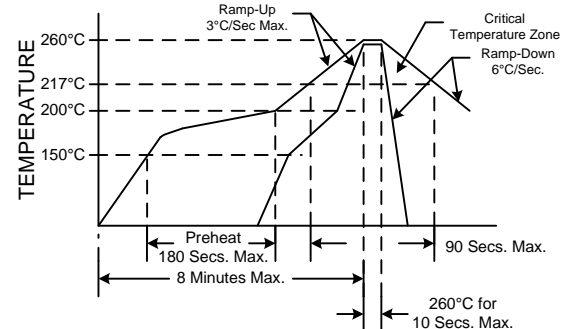
SUGGESTED PAD LAYOUT



0.01uF Bypass Capacitor Recommended



RECOMMENDED REFLOW SOLDERING PROFILE



NOTE: Reflow Profile with 240°C peak also acceptable.

Standby Function	
Function pin 1	Output pin
Open	Active
"1" level 0.7Vdd Min	Active
"0" level 0.3Vdd Max	High Z

PIN	Function
1	Enable/Disable
2	GND
3	OUT
4	VDD

Available on 16mm Tape and Reel
in quantities of 1,000 pcs.

PN:601188 Rev. D