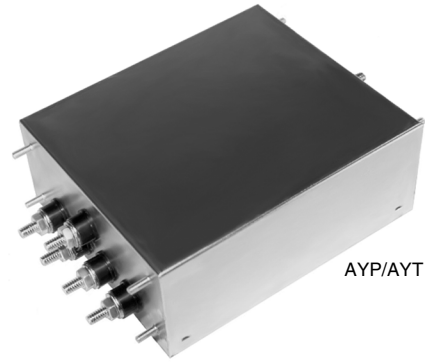


High Performance 3-Phase RFI Power Line Filters for WYE Applications

A Series



**UL Recognized
CSA Certified
VDE Approved**



A Series

The 3-phase filters are designed for 3-phase, four wire, WYE applications providing filtering in each of the three lines plus the neutral and ground line.

The 3-phase models feature:

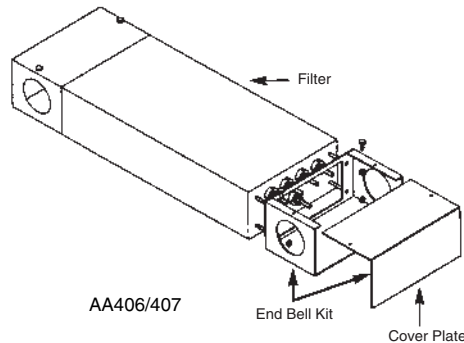
- Both common mode and differential mode suppression from 50 kHz to 30 MHz
- Effective for both balanced and unbalanced three phase loads
- Ground choke included
- Shielded construction

The dual stage AYT provides higher performance, while the single stage AYP is good for lower noise environments.

End Bell Mounting Accessories

Mounting brackets available in two sizes, 20/30 amp (AA400) and 45/60 amp (AA405).

End Bell mounting kit available in two sizes, 20/30 amp (AA406) and 45/60 amp (AA407).



Specifications

Maximum leakage current, each line-to-ground:

| | |
|------------------|--------|
| @ 120 VAC 60 Hz: | 1.4 mA |
| @ 250 VAC 50 Hz: | 3.4 mA |

Hipot rating (one minute):

| | |
|-------------------|----------|
| line-to-ground | 1500 VAC |
| neutral-to-ground | 1500 VAC |
| line-to-neutral | 1450 VDC |

Operating frequency:

50/60 Hz

Rated voltage:

| | |
|--------------------------|---------|
| phase-to-phase: | 440 VAC |
| phase-to-neutral/ground: | 250 VAC |

Minimum insertion loss in dB:

Line-to-ground in 50 ohm circuit

| Current Rating | Frequency - MHz | | | | | | | |
|----------------|-----------------|----|-----|----|----|----|----|----|
| | .05 | .1 | .15 | .5 | 1 | 5 | 10 | 30 |
| AYP6C | | | | | | | | |
| 20A | 22 | 32 | 39 | 55 | 56 | 65 | 65 | 54 |
| 30A | 15 | 24 | 30 | 55 | 55 | 61 | 63 | 50 |
| 45A | 8 | 19 | 25 | 49 | 49 | 56 | 58 | 45 |
| 60A | 5 | 16 | 22 | 50 | 50 | 54 | 54 | 47 |
| AYT6C | | | | | | | | |
| 20A | 45 | 63 | 70 | 75 | 75 | 75 | 75 | 65 |
| 30A | 29 | 53 | 61 | 75 | 75 | 75 | 75 | 60 |
| 45A | 15 | 36 | 43 | 75 | 75 | 75 | 75 | 50 |
| 60A | 12 | 37 | 46 | 75 | 75 | 75 | 70 | 45 |

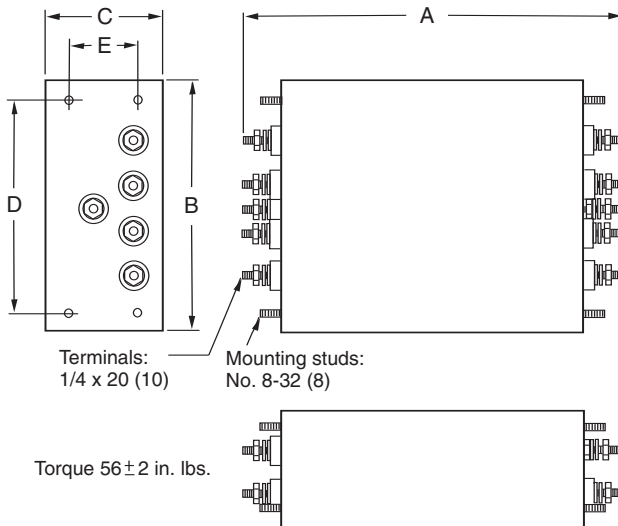
Line-to-line in 50 ohm circuit

| Current Rating | Frequency - MHz | | | | | | | |
|----------------|-----------------|----|-----|----|----|----|----|----|
| | .05 | .1 | .15 | .5 | 1 | 5 | 10 | 30 |
| AYP6C | | | | | | | | |
| 20A | 20 | 38 | 50 | 65 | 65 | 65 | 60 | 52 |
| 30A | 18 | 28 | 43 | 65 | 65 | 65 | 59 | 48 |
| 45A | 8 | 20 | 27 | 60 | 65 | 65 | 56 | 43 |
| 60A | 20 | 24 | 27 | 60 | 65 | 65 | 56 | 50 |
| AYT6C | | | | | | | | |
| 20A | 27 | 56 | 65 | 70 | 70 | 70 | 70 | 70 |
| 30A | 17 | 46 | 55 | 75 | 75 | 75 | 75 | 70 |
| 45A | 14 | 41 | 50 | 75 | 75 | 75 | 75 | 65 |
| 60A | 26 | 50 | 58 | 75 | 75 | 75 | 75 | 60 |

A Series

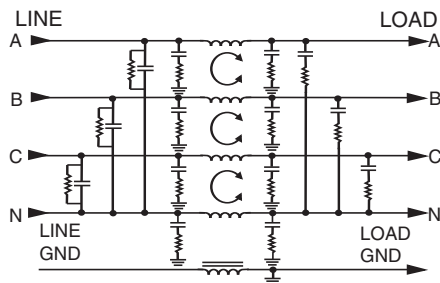
Case Style

AYP6C & AYT6C

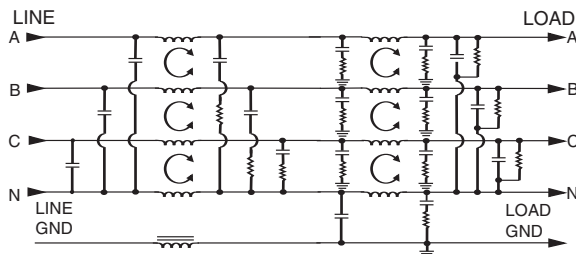


Electrical Schematics

AYP6C Models



AYT6C Models



Resistor location for reference only.

Case Dimensions

| Part No. | A* (max) | B (max) | C (max) | D $\pm .030$ $\pm .76$ | E $\pm .015$ $\pm .38$ |
|----------|------------------------------|-----------------------------|-----------------------------|------------------------------|------------------------------|
| 20AYP6C | 8.82 <i>224.0</i> | 5.57 <i>141.5</i> | 2.56 <i>65.0</i> | 4.616 <i>117.2</i> | 1.50 <i>38.1</i> |
| 30AYP6C | 8.82 <i>224.0</i> | 5.57 <i>141.5</i> | 2.56 <i>65.0</i> | 4.616 <i>117.2</i> | 1.50 <i>38.1</i> |
| 45AYP6C | 9.43 <i>239.5</i> | 6.92 <i>175.8</i> | 4.82 <i>122.4</i> | 5.950 <i>151.1</i> | 3.75 <i>95.3</i> |
| 60AYP6C | 9.43 <i>239.5</i> | 6.92 <i>175.8</i> | 4.82 <i>122.4</i> | 5.950 <i>151.1</i> | 3.75 <i>95.3</i> |
| 20AYT6C | 13.82 <i>351.0</i> | 5.57 <i>141.5</i> | 2.56 <i>65.0</i> | 4.616 <i>117.2</i> | 1.50 <i>38.1</i> |
| 30AYT6C | 13.82 <i>351.0</i> | 5.57 <i>141.5</i> | 2.56 <i>65.0</i> | 4.616 <i>117.2</i> | 1.50 <i>38.1</i> |
| 45AYT6C | 13.83 <i>351.3</i> | 6.92 <i>175.8</i> | 4.82 <i>122.4</i> | 5.950 <i>151.1</i> | 3.75 <i>95.3</i> |
| 60AYT6C | 13.83 <i>351.3</i> | 6.92 <i>175.8</i> | 4.82 <i>122.4</i> | 5.95 <i>151.1</i> | 3.75 <i>95.3</i> |

* For end bell covering terminals and connections, add:

| | |
|-----------|-----------------------|
| 20A & 30A | $\frac{5.57}{141.48}$ |
| 45A & 60A | $\frac{6.45}{163.83}$ |

Part Numbers

| | |
|---------|---------|
| 20AYP6C | 20AYT6C |
| 30AYP6C | 30AYT6C |
| 45AYP6C | 45AYT6C |
| 60AYP6C | 60AYT6C |

Mounting Hardware

Mounting Bracket Kit with Captive Nuts:

- AA400 (20/30 Amp)
- AA405 (45/60 Amp)

End Bell Kit with Captive Nuts:

- AA406 (20/30 Amp)
- AA407 (45/60 Amp)

Additional Captive Nuts to Mount Filters:

- AA401 (10 Nuts)