

MOTOROLA SC {TELECOM} 01 D 6367253 0079200 0

6367253 MOTOROLA SC (TELECOM) 01E 79200 D

T-02-11



MC34062
MC35062

Advance Information

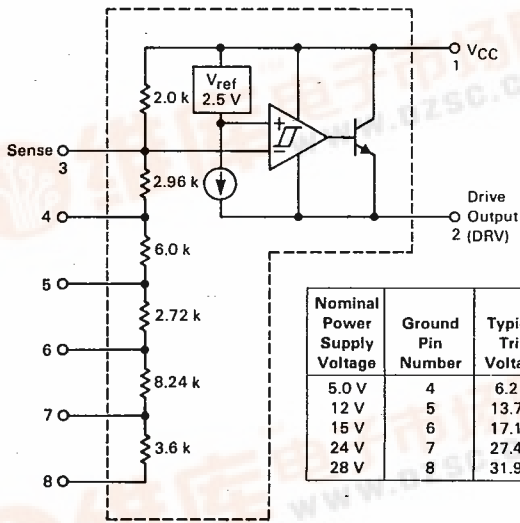
PIN-PROGRAMMABLE OVERVOLTAGE "CROWBAR" SENSING CIRCUIT

The MC34062/35062 overvoltage protection (OVP) circuits require only an external "crowbar" SCR to protect sensitive electronic circuitry from overvoltage damage. They sense an overvoltage condition and quickly "crowbar", or short circuit, the supply. An on-chip, tapped resistor network allows the device to be programmed for trip voltages ranging from 3.5 to 40 V. Each of the five programming pins provides one standard overvoltage trip point for nominal power supply voltages of 5.0, 12, 15, 24 or 28 V. Many other trip voltages may be programmed by interconnecting and grounding various combinations of these programming pins. Tables are provided in the Applications Information which show connection schemes for 120 trip voltages.

These circuits provide a cost-effective means of protecting either positive or negative power supplies. In addition, an external capacitor may be used to program a minimum overvoltage duration before tripping, thus providing noise immunity. The unique design of the MC34062/35062 eliminates voltage and temperature drift errors due to SCR gate variations.

- Unique Pin-Programmable Trip Voltage from 3.5 to 40 V
- One-Pin Programming for 5.0, 12, 15, 24 and 28 V Power Supplies
- SCR Gate Drive Output of 200 mA
- Built-In Hysteresis Voltage
- Wide Supply Range: $4.0\text{ V} \leq V_{CC} \leq 40\text{ V}$

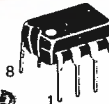
FUNCTIONAL BLOCK DIAGRAM



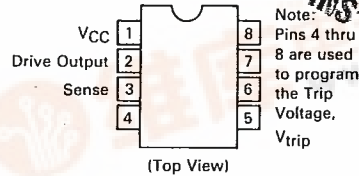
Pins 4 through 8 are used to program the Trip Voltage, V_{trip}

PIN-PROGRAMMABLE OVERVOLTAGE SENSING CIRCUIT
SILICON MONOLITHIC INTEGRATED CIRCUIT

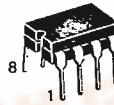
P1 SUFFIX
PLASTIC PACKAGE
CASE 626-05
(MC34062 only)



"NOT FOR NEW DESIGN-INS"



U SUFFIX
CERAMIC PACKAGE
CASE 693-02



ORDERING INFORMATION

Device	Temperature Range	Package
MC35062U	-55 to +125°C	Ceramic DIP
MC34062P1	0 to +70°C	Plastic DIP
MC34062U	0 to +70°C	Ceramic DIP

This document contains information on a new product. Specifications and information herein are subject to change without notice.



6367253 MOTOROLA SC (TELECOM)

01E 79201 D T-62-11

MC34062, MC35062

MAXIMUM RATINGS

Rating	Symbol	Value	Unit
Operating Voltage	$V_{CC} - V_{DRV}$	40	Vdc
Voltage Across Any Internal Resistor In Network	V_{RN}	40	Vdc
Current Through Any Resistor In Network	I_{RN}	10	mA
Sense Voltage	V_{Sense}	40	Vdc
Drive Output Current	I_{DRV}	Internally Limited	mA
Operating Ambient Temperature MC34062 MC35062	T_A	0 to +70 -55 to +125	°C
Operating Junction Temperature	T_J	150	°C
Storage Temperature Range	T_{stg}	-65 to +150°C	°C



ELECTRICAL CHARACTERISTICS ($V_{CC} = 5.0\text{ V}$; $V_{DRV} = 0\text{ V}$; $T_A = T_{low}$ to T_{high} unless otherwise specified.)

Characteristic	Symbol	Min	Typ	Max	Unit
Operating Voltage Range	$V_{CC} - V_{DRV}$	3.0	—	40	Vdc
Sense Trip Voltage $T_A = 25^\circ\text{C}$ T_{low} to T_{high}	V_{Sense}	2.425 2.375	2.5 2.5	2.575 2.625	Vdc
Line Regulation, V_{Sense} ($3.0\text{ V} \leq V_{CC} - V_{DRV} \leq 40\text{ V}$) $T_A = 25^\circ\text{C}$ T_{low} to T_{high}	Regline	— —	0.001 0.001	0.01 0.02	%/V
Trip Voltage (Pin 4 = Gnd; $V_{DRV} = 0\text{ V}$) $T_A = 25^\circ\text{C}$ T_{low} to T_{high}	$V_{trip(4)}$	6.01 5.89	6.2 6.2	6.39 6.51	V
Hysteresis Voltage (Pin 4 = Gnd; $V_{DRV} = 0\text{ V}$)	$V_{H(4)}$	—	0.62	—	V
Trip Voltage (Pin 5 = Gnd; $V_{DRV} = 0\text{ V}$) $T_A = 25^\circ\text{C}$ T_{low} to T_{high}	$V_{trip(5)}$	13.3 13.0	13.7 13.7	14.1 14.4	V
Hysteresis Voltage (Pin 5 = Gnd; $V_{DRV} = 0\text{ V}$)	$V_{H(5)}$	—	1.37	—	V
Trip Voltage (Pin 6 = Gnd; $V_{DRV} = 0\text{ V}$) $T_A = 25^\circ\text{C}$ T_{low} to T_{high}	$V_{trip(6)}$	16.6 16.2	17.1 17.1	17.6 18.0	V
Hysteresis Voltage (Pin 6 = Gnd; $V_{DRV} = 0\text{ V}$)	$V_{H(6)}$	—	1.71	—	V
Trip Voltage (Pin 7 = Gnd; $V_{DRV} = 0\text{ V}$) $T_A = 25^\circ\text{C}$ T_{low} to T_{high}	$V_{trip(7)}$	26.6 26.0	27.4 27.4	28.2 28.8	V
Hysteresis Voltage (Pin 7 = Gnd; $V_{DRV} = 0\text{ V}$)	$V_{H(7)}$	—	2.74	—	V
Trip Voltage (Pin 8 = Gnd; $V_{DRV} = 0\text{ V}$) $T_A = 25^\circ\text{C}$ T_{low} to T_{high}	$V_{trip(8)}$	30.9 30.3	31.9 31.9	32.9 33.5	V
Hysteresis Voltage (Pin 8 = Gnd; $V_{DRV} = 0\text{ V}$)	$V_{H(8)}$	—	3.19	—	V
Resistor Network Current at Nominal Power Supply Voltage $V_{CC} = 28\text{ V}$; $V_{DRV} = 0\text{ V}$; Pin 8 = Gnd	I_{RN}	0.5	1.1	2.0	mA
Drive Output Current, ON State $T_J = 25^\circ\text{C}$ T_{low} to T_{high}	$I_{DRV(on)}$	130 90	200 —	300 350	mA
Drive Output Current, OFF State $V_{CC} = 5.0\text{ V}$; $V_{DRV} = 0\text{ V}$ $3.0\text{ V} \leq V_{CC} - V_{DRV} \leq 40\text{ V}$	$I_{DRV(off)}$	0.2 0.2	0.6 0.6	1.0 1.5	mA
Drive Output Current Slew Rate ($T_A = 25^\circ\text{C}$)	di/dt	—	2.0	—	A/ μs
Drive Output V_{CC} Transient Rejection $V_{CC} = 0\text{ V}$ to 15 V at $dV/dt = 200\text{ V}/\mu\text{s}$; $V_{DRV} = 0\text{ V}$; $V_{Sense} = 0\text{ V}$; $T_A = 25^\circ\text{C}$	$\Delta I_{DRV(trans)}$	—	1.0	—	mA (Peak)
Propagation Delay Time ($T_A = 25^\circ\text{C}$; 500 mV Overdrive)	t_{PLH}	—	500	—	ns

$T_{low} = -55^\circ\text{C}$ for MC35062
 $= 0^\circ\text{C}$ for MC34062
 $T_{high} = +125^\circ\text{C}$ for MC35062
 $= +70^\circ\text{C}$ for MC34062

MC34062, MC35062

FIGURE 1 — STANDARD TEST CIRCUIT

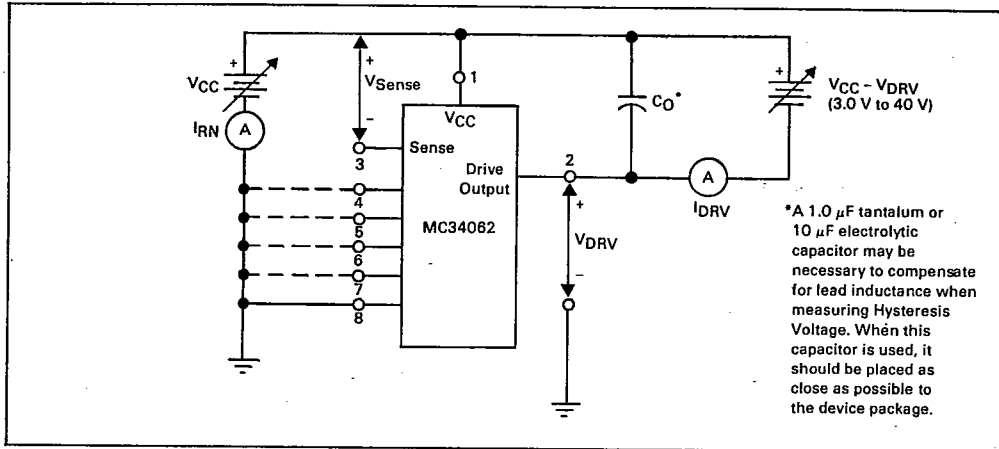


FIGURE 2 — DRIVE CURRENT versus NORMALIZED RESISTOR DIVIDER VOLTAGE (Normalized to V_{trip} at $T_A = 25^\circ\text{C}$)

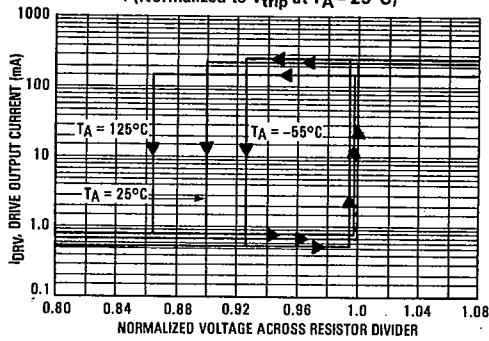


FIGURE 3 — NORMALIZED TRIP VOLTAGE versus TEMPERATURE (Normalized to $T_A = 25^\circ\text{C}$)

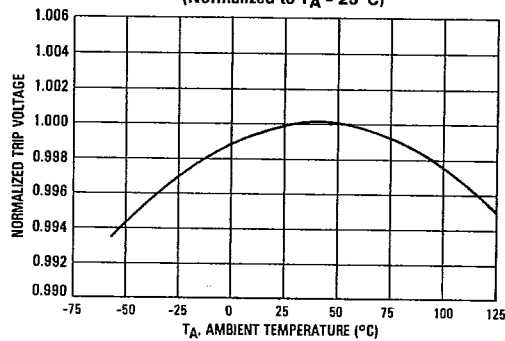


FIGURE 4 — OFF STATE DRIVE CURRENT versus SUPPLY VOLTAGE

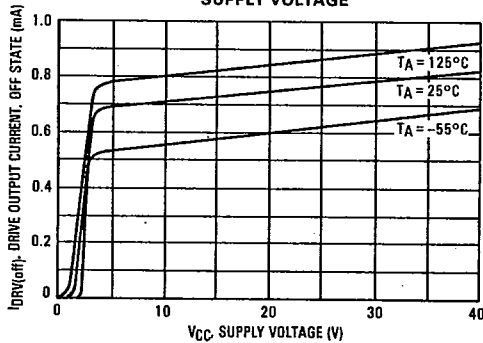
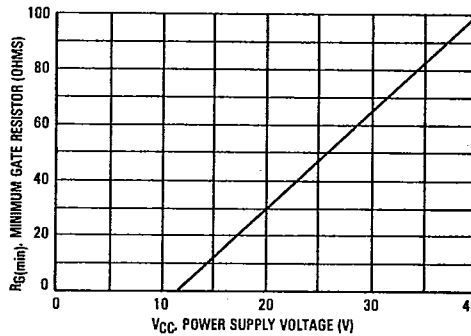


FIGURE 5 — MINIMUM R_G versus SUPPLY VOLTAGE



MC34062, MC35062

3

FIGURE 6 — DELAY CAPACITANCE versus DELAY TIME FOR NOMINAL 5.0 V POWER SUPPLY

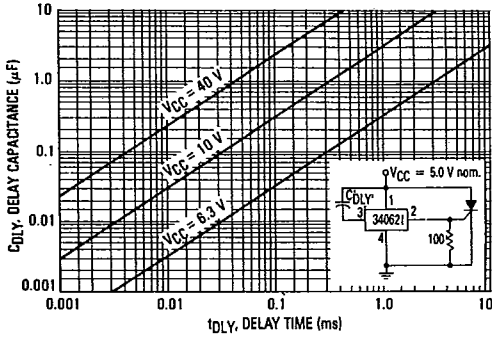


FIGURE 7 — DELAY CAPACITANCE versus DELAY TIME FOR NOMINAL 12 V POWER SUPPLY

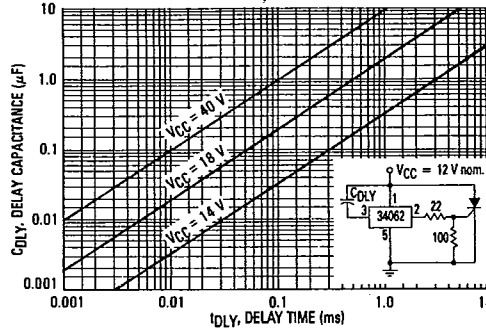


FIGURE 8 — DELAY CAPACITANCE versus DELAY TIME FOR NOMINAL 15 V POWER SUPPLY

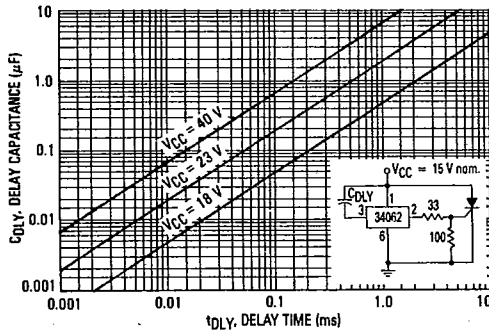


FIGURE 9 — DELAY CAPACITANCE versus DELAY TIME FOR NOMINAL 24 V POWER SUPPLY

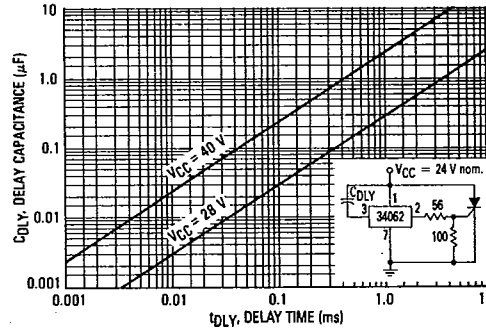
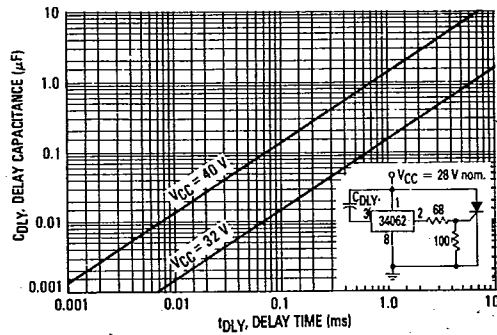


FIGURE 10 — DELAY CAPACITANCE versus DELAY TIME FOR NOMINAL 28 V POWER SUPPLY



MC34062, MC35062

APPLICATIONS INFORMATION

BASIC CIRCUIT CONFIGURATION

The MC34062 and MC35062 each consist of a 2.5 V shunt reference, a comparator with built-in hysteresis, a power output transistor, and an on-chip, tapped resistor network. In the typical application of Figure 11 the voltage at the inverting input of the comparator is $\frac{V_{CC} R_2}{R_1 + R_2}$

while the voltage at the non-inverting input is $V_{CC} - 2.5 V$. Thus, for a given (R_1, R_2) voltage divider, the comparator's output state is a function of V_{CC} . The following table applies:

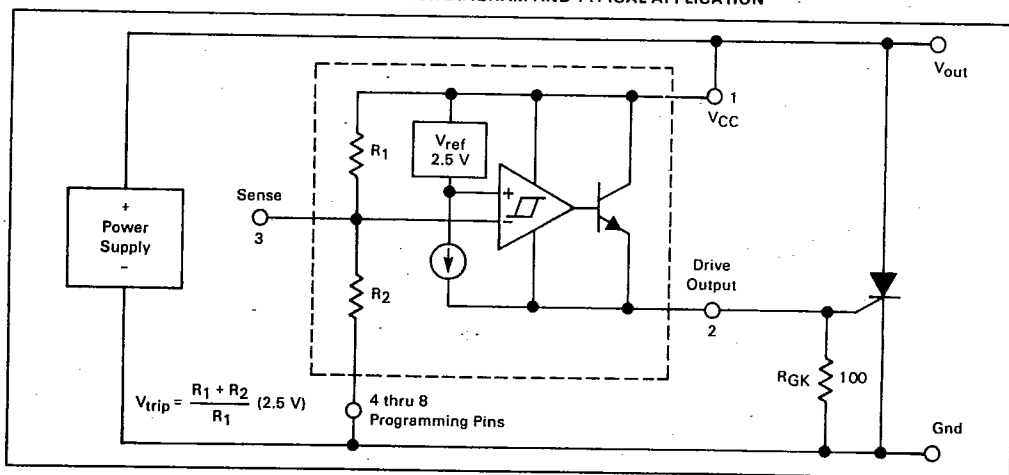
VCC	Drive Output
$< \frac{R_1 + R_2}{R_1} (2.5 V)$	OFF State
$> \frac{R_1 + R_2}{R_1} (2.5 V)$	ON State

By making the proper choice of R_1 and R_2 , a level detector for any voltage from 3.5 to 40 V may be realized.

The on-chip resistor network is configured as shown in the Functional Block Diagram on the front page of this data sheet. Each of the five programming pins (4 through 8) provides one standard overvoltage trip point for nominal power supply voltages of 5.0, 12, 15, 24 or 28 V. These standard trip points are implemented by grounding one of the five programming pins, and are summarized in the following table:

Nominal Power Supply Voltage	Ground Pin Number	Typical Trip Voltage
5.0 V	4	6.2 V
12 V	5	13.7 V
15 V	6	17.1 V
24 V	7	27.4 V
28 V	8	31.9 V

FIGURE 11 — BLOCK DIAGRAM AND TYPICAL APPLICATION



Many other trip voltages may be programmed by interconnecting and grounding various combinations of the programming pins. Table 1 provides connection schemes for 120 nominal Trip Voltages (V_{trip}). Additional Trip Voltages may also be implemented with other pin connections. All of these Trip Voltages will be within $\pm 3.0\%$ of the nominal value at $T_A = 25^\circ C$ and within $\pm 5.0\%$ over the operating temperature range.

The hysteresis built into the comparator is 250 mV at the inverting input. This comparator hysteresis voltage is multiplied by the ratio $\frac{R_1 + R_2}{R_1}$, just as the 2.5 V Sense Trip

Voltage (V_{Sense}) is multiplied by the same ratio to define the Trip Voltage (V_{trip}). Thus, the Hysteresis Voltage (V_H) is approximately 10% of the Trip Voltage for any Trip Voltage.

Some precautions are necessary in the operation of the protection circuit shown in Figure 11. Note that even in the OFF State, a minimum drive output current, equal to the sum of the reference and comparator supply currents, is available. Therefore, a means of shunting this current away from the driven circuit is necessary. In the example of Figure 11; a 100 Ω resistor (R_{GK}) is used, producing a voltage at the Drive Output of approximately 60 mV in the OFF State.

In the ON State the MC34062 becomes a current source capable of saturating to within 2.0 V of V_{CC} . Therefore, when driving a high impedance load, it may be desirable to clamp the drive output to at least 3.0 V below V_{CC} ($V_{CC} - V_{DRV} \geq 3.0 V$) if it is important that the reference continue to regulate.

MC34062, MC35062

PROGRAMMING A MINIMUM OVERVOLTAGE DURATION BEFORE TRIPPING

A time delay may be programmed into the operation of the MC34062/35062 to provide noise immunity. This time delay is implemented by adding a capacitor (C_{DLY}) between the V_{CC} and Sense leads as shown in Figure 12. The time delay obtained by this technique is a function of the internal resistors (R₁, R₂) and C_{DLY}, as well as the nominal supply voltage, V_{CC(nom)}, and the overvoltage supply voltage V_{CC}. The nominal supply voltage determines the initial charge on C_{DLY}, while the magnitude of the overvoltage condition determines the rate at which C_{DLY} charges to the reference voltage, V_{ref} = 2.5 V. Thus, for a given R₁, R₂ and C_{DLY}, the time delay is reduced as the overvoltage is increased. The expression for the time delay, t_{DLY} is:

$$t_{DLY} = \frac{R_1 R_2 C_{DLY}}{R_1 + R_2} \ln \left[\frac{V_{CC} - V_{CC(nom)}}{V_{CC} - V_{trip}} \right]$$

where: $V_{trip} = \frac{R_1 + R_2}{R_1} (2.5 \text{ V})$

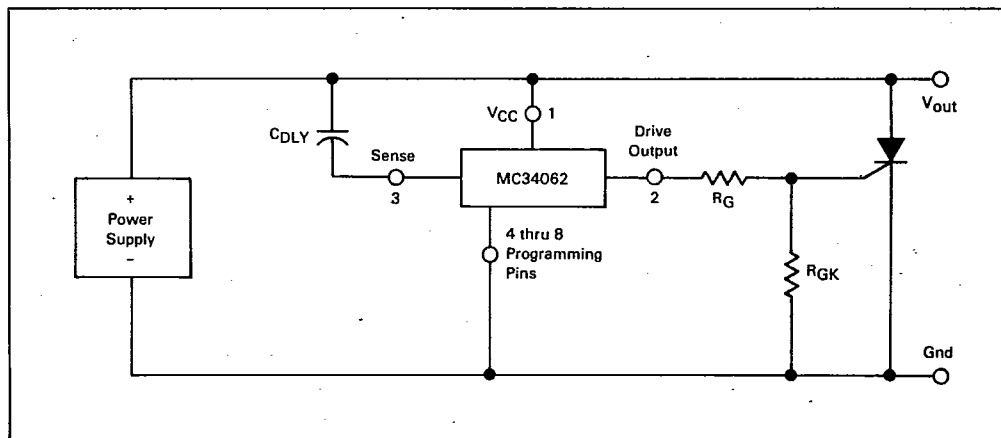
Figures 6 through 10 show the C_{DLY} values versus delay time (t_{DLY}) for nominal 5.0, 12, 15, 24 and 28 V power supply protection circuits, each using a one-pin MC34062/35062 programming scheme. These figures also show the change in t_{DLY} with variations in the overvoltage supply, V_{CC}.

THE NEED FOR A GATE RESISTOR

For power supplies above 11 V, a gate resistor, R_G, in series with the SCR gate is recommended to limit the power dissipated by the IC to approximately 2.0 W. This resistor will protect the MC34062/35062 in the event of a defective or missing SCR, while allowing the maximum drive output current to the gate of the SCR. Figure 5 shows the minimum recommended gate resistor, R_{G(min)}, versus the power supply voltage, V_{CC}. A larger value of R_G may be used if less drive current is needed.



FIGURE 12 — OVERVOLTAGE PROTECTION WITH TIME DELAY



MC34062, MC35062

TABLE 1 - PIN-PROGRAMMING OF RESISTOR NETWORK FOR NOMINAL TRIP VOLTAGES

V _{trip}	Pin 3	Pin 4	Pin 5	Pin 6	Pin 7	Pin 8	V _{trip}	Pin 3	Pin 4	Pin 5	Pin 6	Pin 7	Pin 8
3.483		Gnd		Gnd		Gnd	5.101			Gnd			Gnd
3.632		Gnd	Gnd		Gnd		5.222		Gnd		Gnd		
3.768		Gnd		Gnd			5.328		Gnd				
3.807		Gnd		Gnd			5.413		Gnd	Gnd			
3.883		Gnd			Gnd		5.563		Gnd				
3.923			Gnd		Gnd		5.673		Gnd				
4.012		Gnd	Gnd		Gnd		5.734		Gnd				
4.098		Gnd				Gnd	5.887					Gnd	
4.130				Gnd		Gnd	5.900				Gnd		
4.196		Gnd		Gnd		Gnd	5.991			Gnd			
4.272		Gnd	Gnd				6.092					Gnd	
4.353		Gnd				Gnd	6.200		Gnd				
4.407			Gnd		Gnd		6.311					Gnd	
4.520			Gnd			Gnd	6.610					Gnd	
4.598		Gnd			Gnd		6.703				Gnd		
4.673				Gnd		Gnd	6.840			Gnd	Gnd		
4.709			Gnd	Gnd		Gnd	7.000						Gnd
4.845		Gnd		Gnd			7.132			Gnd			
4.947			Gnd	Gnd		Gnd	7.298				Gnd		
4.996			Gnd		Gnd		7.347			Gnd			

MC34062, MC35062

TABLE 1 — (Continued)

Vtrip	Pin 3	Pin 4	Pin 5	Pin 6	Pin 7	Pin 8	Vtrip	Pin 3	Pin 4	Pin 5	Pin 6	Pin 7	Pin 8
7.478	●	●	Gnd	Gnd		●	10.400	●	●	●	●	Gnd	
7.799	●	●	Gnd	●		●	10.540		●	Gnd	Gnd	●	
8.106		●	Gnd	●	Gnd		10.700		●			●	Gnd
8.220		●	Gnd	●		Gnd	11.047		●	Gnd		●	
8.409		●	Gnd	Gnd	●	Gnd	11.178		●	Gnd	Gnd		●
8.539		●	Gnd	●			11.496		●		Gnd	●	
8.633		●		Gnd	●	Gnd	11.630	●	●		Gnd	●	Gnd
8.756		●	●	Gnd	●		11.895	●			Gnd	●	VCC
8.870	●	●	Gnd	Gnd	●	●	11.937	●	●		Gnd	Gnd	●
8.906	●	●	●	●	●	Gnd	12.086	●		Gnd		●	VCC
9.013		●	Gnd		Gnd	●	12.477		●		Gnd		●
9.178	●	●		●	●	Gnd	12.556	●	●	●	Gnd	●	
9.331	●	VCC	●	Gnd			12.732		●	●	●	Gnd	●
9.377	●	●	Gnd		●	●	12.800	●			●	Gnd	
9.385		●		Gnd	Gnd	●	13.387	●	●	●		Gnd	●
9.433	●		Gnd			●	13.400	●	●		Gnd		
9.600		●	●	Gnd			13.700			Gnd			
9.826	●	●		Gnd	●	●	14.233	●	●	●	●	Gnd	
9.912		●			Gnd	●	14.500	●	●	●		●	Gnd
10.000	●	●	Gnd				15.330			●	Gnd	●	Gnd



MC34062, MC35062

TABLE 1 — (Continued)

V _{trip}	Pin 3	Pin 4	Pin 5	Pin 6	Pin 7	Pin 8	V _{trip}	Pin 3	Pin 4	Pin 5	Pin 6	Pin 7	Pin 8
15.637			Gnd	Gnd	Gnd		22.673	VCC		VCC	Gnd		
16.200	Gnd				Gnd		23.700	Gnd				Gnd	
16.256			Gnd	Gnd			23.807	Gnd		VCC		Gnd	
16.465			Gnd				24.000				Gnd		
16.500		Gnd		Gnd	Gnd		24.283		VCC				Gnd
16.532	Gnd			Gnd	Gnd		24.400						Gnd
16.832			Gnd	Gnd	Gnd		24.800	Gnd		Gnd			Gnd
17.087			Gnd		Gnd		25.211				Gnd	VCC	
17.100				Gnd			27.333	VCC	VCC			Gnd	
17.300	Gnd					Gnd	27.400					Gnd	
17.900	Gnd			Gnd	Gnd		28.200	Gnd					Gnd
18.200			Gnd	Gnd	Gnd		28.500						Gnd
18.733	Gnd	Gnd	Gnd			Gnd	30.023	VCC				Gnd	
19.900		Gnd			Gnd		30.694	VCC					Gnd
20.232				Gnd	Gnd		31.486	Gnd		VCC			Gnd
20.300	Gnd		Gnd	Gnd	Gnd		31.900						Gnd
20.700	Gnd					Gnd	32.233	VCC					Gnd
21.000		Gnd				Gnd	33.116	Gnd		VCC			Gnd
21.600				Gnd	Gnd	Gnd	38.182	VCC	VCC				Gnd
22.122	VCC				Gnd		39.064	VCC					Gnd

MC34062, MC35062

CROWBAR SCR CONSIDERATIONS

Referring to Figure 13, it can be seen that the crowbar SCR, when activated, is subject to a large current surge from the output capacitance, C_{out} . This capacitance consists of the power supply output capacitors, the load's decoupling capacitors, and in the case of Figure 13A, the supply's input filter capacitors. This surge current is illustrated in Figure 14, and can cause SCR failure or degradation by any one of three mechanisms: di/dt , absolute peak surge, or I^2t . The interrelationship of these failure methods and the breadth of the applications make specification of the SCR by the semiconductor manufacturer difficult and expensive. Therefore, the designer must empirically determine the SCR and circuit elements which result in reliable and effective OVP operation. However, an understanding of the factors which influence the SCR's di/dt and surge capabilities simplifies this task.

1. di/dt

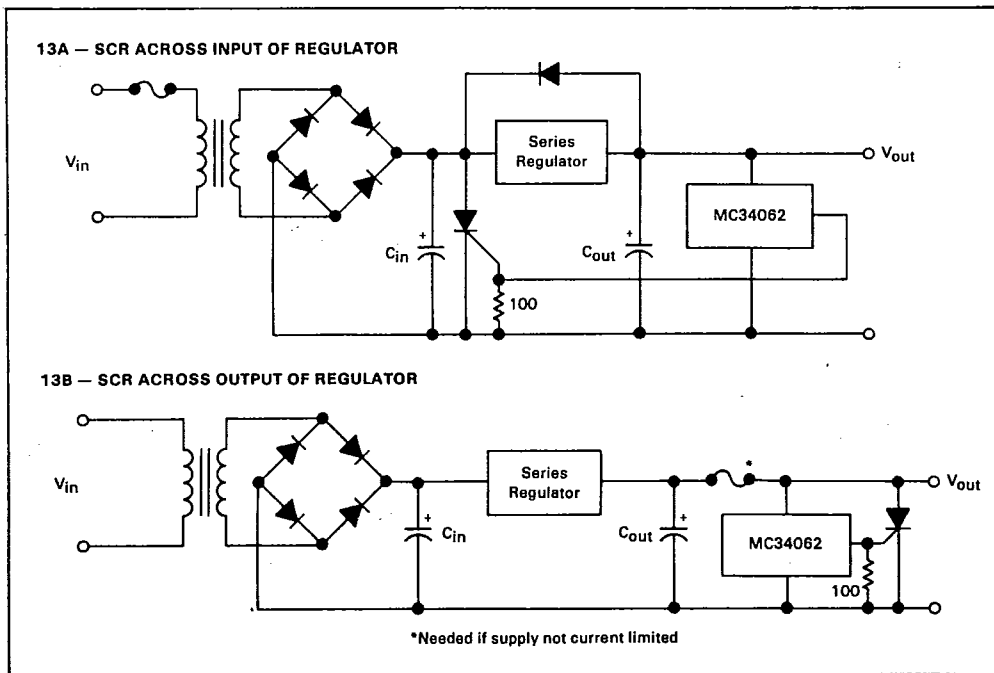
As the gate region of the SCR is driven on, its area of conduction takes a finite amount of time to grow, starting as a very small region and gradually spreading.

Since the anode current flows through this turned-on gate region, very high current densities can occur in the gate region if high anode currents appear quickly (di/dt). This can result in immediate destruction of the SCR or gradual degradation of its forward blocking voltage capabilities — depending on the severity of the occasion.

The value of di/dt that an SCR can safely handle is influenced by its construction and the characteristics of the gate drive signal. A center-gate-fire SCR has more di/dt capability than a corner-gate-fire type, and heavily overdriving (3 to 5 times I_{GT}) the SCR gate with a fast $<1.0 \mu s$ rise time signal will maximize its di/dt capability. A typical maximum number in phase control SCRs of less than 50 A(RMS) rating might be $200 A/\mu s$, assuming a gate current of five times I_{GT} and $<1.0 \mu s$ rise time. If having done this, a di/dt problem is seen to still exist, the designer can also decrease the di/dt of the current waveform by adding inductance in series with the SCR, as shown in Figure 15. Of course, this reduces the circuit's ability to rapidly reduce the dc bus voltage and a tradeoff must be made between speedy voltage reduction and di/dt .

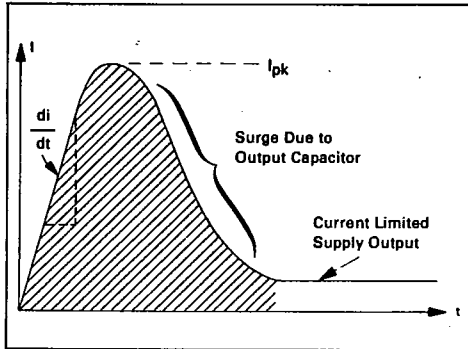


FIGURE 13 — TYPICAL CROWBAR CIRCUIT CONFIGURATIONS



MC34062, MC35062

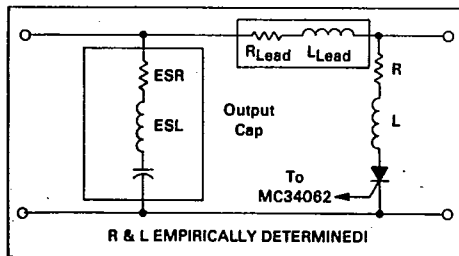
FIGURE 14 — CROWBAR SCR SURGE CURRENT WAVEFORM



2. Surge Current

If the peak current and/or the duration of the surge is excessive, immediate destruction due to device overheating will result. The surge capability of the SCR is directly proportional to its die area. If the surge current cannot be reduced (by adding series resistance — see Figure 15) to a safe level which is consistent with the system's requirements for speedy bus voltage reduction, the designer must use a higher current SCR. This may result in the average current capability of the SCR exceeding the steady state current requirements imposed by the dc power supply.

FIGURE 15 — CIRCUIT ELEMENTS AFFECTING SCR SURGE & di/dt



A WORD ABOUT FUSING

Before leaving the subject of the crowbar SCR, a few words about fuse protection are in order. Referring back to Figure 13A, it will be seen that a fuse is necessary if the power supply to be protected is not output current limited. This fuse is not meant to prevent SCR failure but rather to prevent a fire!

In order to protect the SCR, the fuse would have to possess an I^2t rating less than that of the SCR and yet have a high enough continuous current rating to survive normal supply output currents. In addition, it must be capable of successfully clearing the high short circuit currents from the supply. Such a fuse as this is quite expensive, and may not even be available.

The usual design compromise then is to use a garden variety fuse (3AG or 3AB style) which cannot be relied on to blow before the thyristor does, and trust that if the SCR does fail, it will fail short circuit. In the majority of the designs, this will be the case, though this is difficult to guarantee. Of course, a sufficiently high surge will cause an open. These comments also apply to the fuse in Figure 13B.

CROWBAR SCR SELECTION GUIDE

As an aid in selecting an SCR for crowbar use, the following selection guide is presented.

DEVICE	IRMS	IFSM	PACKAGE
MCR67 Series	12 A	100 A	Metal Stud
MCR68 Series	12 A	100 A	TO-220 Plastic
2N1842 Series	16 A	125 A	Metal Stud
2N6400 Series	16 A	160 A	TO-220 Plastic
2N6504 Series	25 A	160 A	TO-220 Plastic
2N681 Series	25 A	200 A	Metal Stud
2N2573 Series	25 A	260 A	TO-3 Metal Can
MCR69 Series	25 A	300 A	TO-220 Plastic
MCR70 Series	35 A	350 A	Metal Stud
MCR71 Series	55 A	550 A	Metal Stud

For a complete and detailed treatment of SCR and fuse selection refer to Motorola Application Note AN-789.