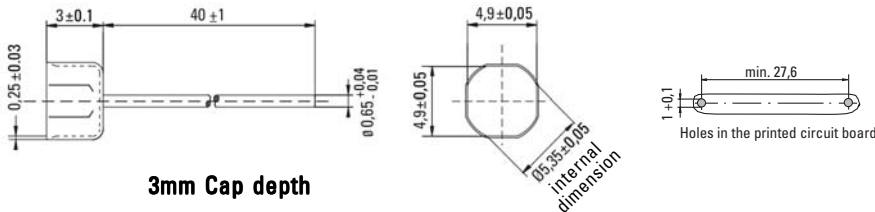


Holder / No. 268

PC Mount, 5x20mm Fuses leadfree

Specifications



3mm Cap depth

Mounting

For direct soldering to PC Boards.
Leads should not be twisted or bent closer than 3mm from the cap.
Sharp bending of the leads can cause mechanical weakness followed by breaking of the leads.

Materials

Holder: Brass, nickel-plated
Axial Leads: Copper, tin-plated for soldering

Electrical Data (23°C)

Rated Voltage: 250V
Maximum Current: 8A

Minimum Cross Section

Conducting path - 0.2mm²

Unit Weight

0.3g

Packaging

Bulk (5000 pcs.)

Order Number

Holder

No. 268 0000 100

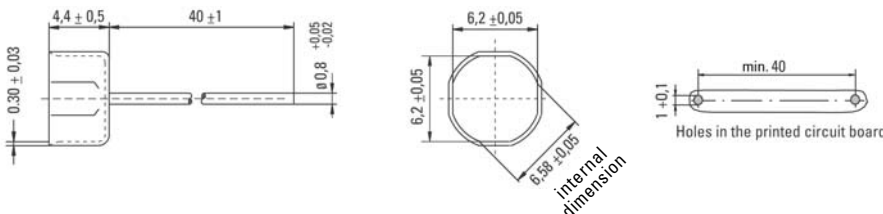
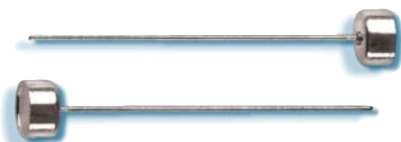
Order Information

Qty.	Order-Number	Series	Packaging
		268	0000 100

Holder / No. 266

PC Mount, 6.3x32mm Fuses leadfree

Specifications



Mounting

For direct soldering to PC Boards.
Leads should not be twisted or bent closer than 3mm from the cap.
Sharp bending of the leads can cause mechanical weakness followed by breaking of the leads.

Materials

Holder: Brass, silver-plated
Axial Leads: Copper, tin-plated for soldering

Electrical Data (23°C)

Rated Voltage: 250V
Maximum Current: 8A

Minimum Cross Section

Conducting path - 0.2mm²

Unit Weight

0.4g

Packaging

Bulk (2000 pcs.)

Order Number

Holder

No. 266 0000 100

Order Information

Qty.	Order-Number	Series	Packaging
		266	0000 100

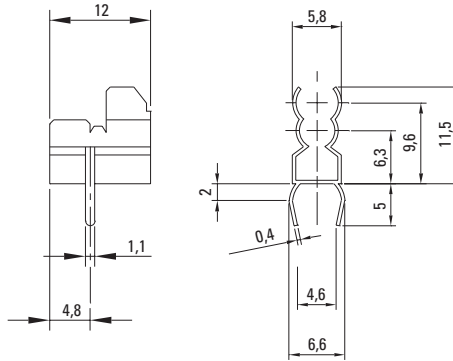
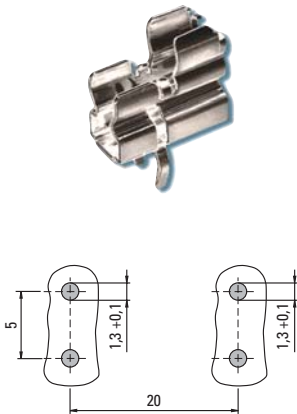
Note: 1.00 means the number one with two decimal places. 1,000 means the number one thousand.

Specifications are subject to change without notice.

Clip / No. 518 lead free

PC Mount, 5x20 mm / 6.3x32 mm Fuses

Specifications



Approvals
UL Recognized



Mounting
PC Board, 5mm pin spacing
Kicked solder pins 0.4 x 1.1 mm

Materials
Clip: Copper alloy
Solderable, tinned

Electrical Data (23 °C)
Rated Voltage: 250 V
Max. Current/Power: 10 A/2.5 W

Minimum Cross Section
Conducting path - 0.2 mm²

Unit Weight
0.9 g

Packaging
Bulk (1000 pcs.)

Order Number
Clip No. 518 0000 100



Clip / No. 102071 lead free

PC Mount, 6.3x32 mm Fuses

Mounting
PC Board, 7.6 mm pin spacing
Solder pins 0.5 x 1.5 mm

Materials
Clip: Copper alloy
Solderable, tinned

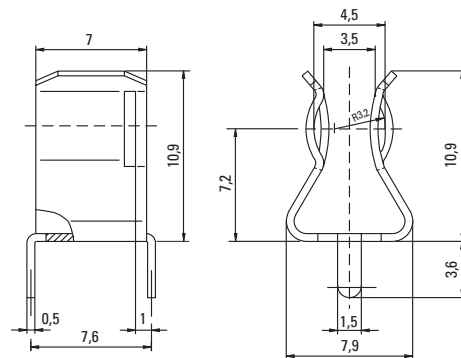
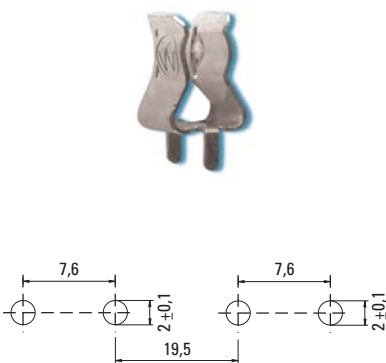
Electrical Data (23 °C)
Rated Voltage: 500 V
Max. Current/Power: 10A/4 W

Minimum Cross Section
Conducting path - 0.2mm²

Unit Weight
0.9 g

Packaging
Bulk (2000 pcs.)

Order Number
Clip No. 102 0710 100

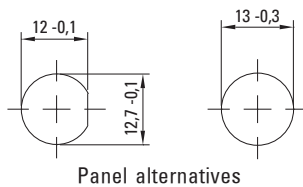
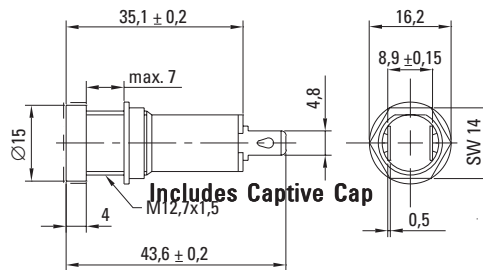


Note: 1.00 means the number one with two decimal places. 1,000 means the number one thousand.

**Specifications are subject
to change without notice**

Holder / No. 870

Panel Mount, Shocksafe Medical Grade, 5x20mm Fuses



Specifications



Standard
IEC 60127-6
UL 512
CSA C22.2. No.39

Approvals
VDE Report
SEMKO
UL Recognized
CSA
SEV



Mounting

12.7mm diameter D-hole or 13mm round hole
Admissible torque on plastic hex nut is 1.2Nm

Terminals

Solderable or 4.8mm quick connect-fits 0.5mm tab

Protection Class & Category

IP 40 (IEC 60529)
PC3 (IEC 60127-6)
Live parts are fully inaccessible to a 1mm diameter probe

Materials

Holder/Cap: Black Thermoplastic, UL 94V0
Metal Parts: Copper alloy, corrosion protected
Terminals: Solderable, tinned

Electrical Data (23°C)

Rated Voltage: 250V
Rated Current: 10A
Rated Power: 2.5W (VDE/SEMKO)

Operating Temperature

-40°C to +85°C (consider de-rating)

Climatic Test

-40°C/+85°C/21 days (IEC 60068-2-1...3)

Stock Conditions

+10°C to +60°C
relative humidity ≤ 75% yearly average,
without dew, maximum value for 30 days - 95%

Vibration Resistance

24 cycles at 15 min. each (IEC 60068-2-6)
10 - 60Hz at 0.35mm amplitude
60 - 500Hz at 5g acceleration

Contact Resistance

≤ 5mΩ

Impulse Voltage

4 kV, 50 Hz, 1 min., dry

Insulation Resistance

> 10³ MΩ (500 VDC, 1 min.)

Solderability

350°C, 2 sec.

Soldering Heat Resistance

350°C, 10 sec. (IEC 60068-2-20)

Minimum Cross Section

Conductor - 2.5mm²

Marking

870, 250V, Approvals

Unit Weight

5.6g

Order Information

Packaging

Bulk (100 pcs.)

Order Numbers

Holder and Cap No. 870 0000 100



Specifications are subject to change without notice

Note: 1.00 means the number one with two decimal places. 1,000 means the number one thousand.

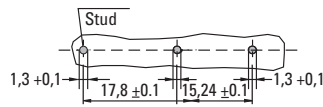
Holder / No. 862

PC Mount, Shocksafe 5x20mm / 6.3x32mm Fuses

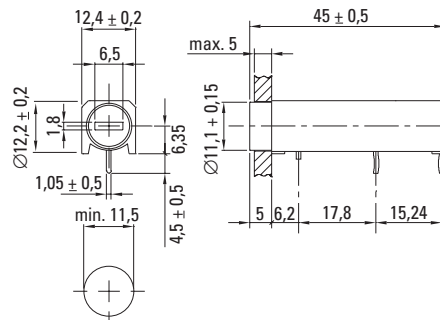
Specifications



Horizontal / 2-Pin



Holes in the printed circuit board: 1,3 +0,1



Standard

IEC 60127-6
UL 512
CSA C22.2. No.39

Approvals

VDE Report
SEMKO
UL Recognized
CSA
SEV



Mounting

(2) Solder pins 0.5mm x 1.1mm and plastic stud
Pins are kicked for optimal soldering

Protection Class & Category

IP 40 (IEC 60529)
PC2 (IEC 60127-6)

Materials

Holder/Cap: Black Thermoplastic, UL 94V0
Metal Parts: Copper alloy, corrosion protected
Terminals: Solderable, tinned

Electrical Data (23°C)

Rated Voltage: 250V
Rated Current: 10A (VDE/SEMKO/SEV)
16A (UL/CSA)
Rated Power: 862/865: 2.5W (VDE/SEV)
862/866: 3.2W (VDE/SEV)

Operating Temperature

-40°C to +85°C (consider de-rating)

Climatic Test

-40°C/+85°C/21 days (IEC 60068-2-1...3)

Stock Conditions

+10°C to +60°C
relative humidity ≤ 75% yearly average,
without dew, maximum value for 30 days - 95%

Vibration Resistance

24 cycles at 15 min. each (IEC 60068-2-6)
10 - 60Hz at 0.35mm amplitude
60 - 500Hz at 5g acceleration

Contact Resistance

≤ 5mΩ

Impulse Voltage

4 kV, 50 Hz, 1 min., dry

Insulation Resistance

> 10³ MΩ (500 VDC, 1 min.)

Solderability

235°C, 2 sec. (Wave)
350°C, 1 sec. (Soldering Iron)

Soldering Heat Resistance

350°C, 5 sec. (IEC 60068-2-20)

Minimum Cross Section

Conducting path - 0.2mm²

Marking

862, 250V, Approvals

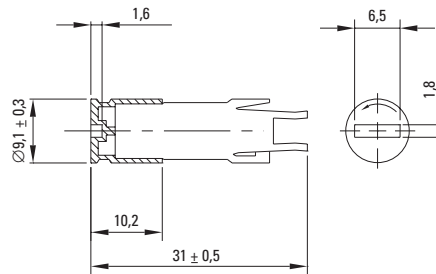
Unit Weight

5.6g (862) / 3.3g (865) / 2.5g (866)

Cap / No. 865



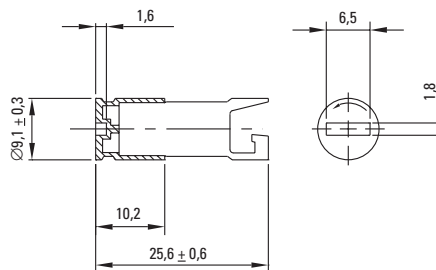
For 5x20mm Fuses



Cap / No. 866



For 6.3x32mm Fuses



Order Information

Packaging

Bulk (100 pcs.)

Order Numbers

Holder	No. 862 0000 100
Cap, 5x20mm	No. 865 0000 100
Cap, 6.3x32mm	No. 866 0000 100

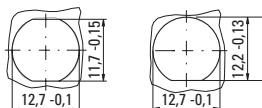
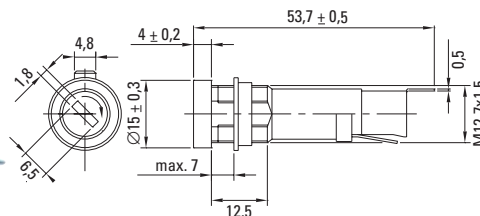


Specifications are subject to change without notice

Note: 1.00 means the number one with two decimal places. 1,000 means the number one thousand.

Holder / No. 860

Panel Mount, Shocksafe 5x20mm / 6.3x32mm Fuses

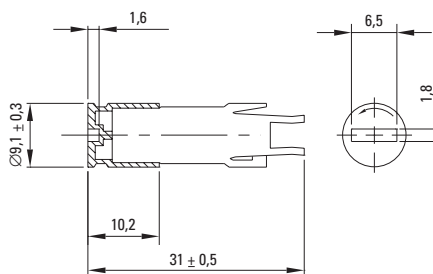


Panel alternatives

Cap / No. 865



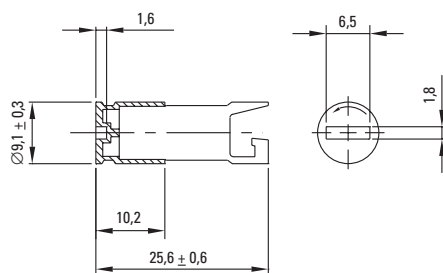
For 5x20mm Fuses



Cap / No. 866



For 6.3x32mm Fuses



Specifications

Standard

IEC 60127-6
UL 512
CSA C22.2. No.39

Approvals

VDE Report
SEMKO
UL Recognized
CSA Certified
SEV



Mounting

12.7mm diameter D-hole or double D-hole
Admissible torque on plastic hex nut is 1.2Nm

Terminals

Solderable or 4.8mm quick connect-fits 0.5mm tab

Protection Class & Category

IP 40 (IEC 60529)
PC2 (IEC 60127-6)

Materials

Holder/Cap: Black Thermoplastic, UL 94V0
Metal Parts: Copper alloy, corrosion protected
Terminals: Solderable, tinned

Electrical Data (23°C)

Rated Voltage: 250V
Rated Current: 10A (VDE/SEMKO)
16A (CSA)
20A (UL)
Rated Power: 4.0W (VDE/SEMKO)

Operating Temperature

-40°C to +85°C (consider de-rating)

Climatic Test

-40°C/+85°C/21 days (IEC 60068-2-1...3)

Stock Conditions

+10°C to +60°C
relative humidity ≤ 75% yearly average,
without dew, maximum value for 30 days - 95%

Vibration Resistance

24 cycles at 15 min. each (IEC 60068-2-6)
10 - 60Hz at 0.75mm amplitude
60 - 500Hz at 10g acceleration

Contact Resistance

≤ 5mΩ

Impulse Voltage

4 kV, 50 Hz, 1 min., dry

Insulation Resistance

> 10³ MΩ (500 VDC, 1 min.)

Solderability

235°C, 2 sec. (Wave)
350°C, 1 sec. (Soldering Iron)

Soldering Heat Resistance

350°C, 5 sec. (IEC 60068-2-20)

Minimum Cross Section

Conductor - 2.5mm²

Marking

860, 250V, Approvals

Unit Weight

5.3g (860) / 3.3g (865) / 2.5g (866)

Order Information

Packaging

Bulk (100 pcs.)

Order Numbers

Holder	No. 860 0000 100
Cap, 5x20mm	No. 865 0000 100
Cap, 6.3x32mm	No. 866 0000 100

Note: 1.00 means the number one with two decimal places. 1,000 means the number one thousand.

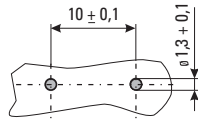


Specifications are subject to change without notice

Holder / No. 852



Vertical / 2-Pin



Holes in the printed circuit board: 1,3 ± 0,1

Cap / No. 855



Without silicon ring (IP 40)

Holder / No. 853

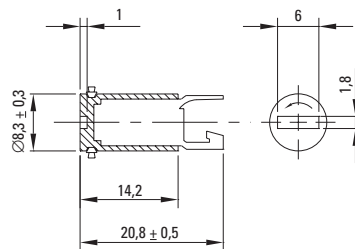
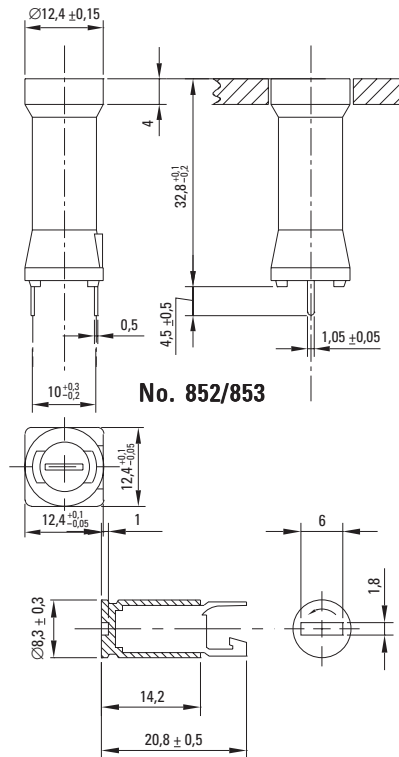


Cap / No. 856



With silicon ring (IP 54)
(from front side only)

PC Mount, Shocksafe 5x20mm Fuses



Specifications

Standard

IEC 60127-6
UL 512
CSA C22.2. No.39

Approvals

VDE Report
SEMKO
UL Recognized
CSA
SEV



Mounting

(2) Solder pins 0.5mm x 1.1mm

Protection Class & Category

IP 40 (with Cap 855 acc. to IEC 60529)
IP 54 (with Cap 856 acc. to IEC 60529)
PC2 (IEC 60127-6)

Materials

Holder/Cap: Black Thermoplastic, UL 94V0
Sealing Ring: Silicon (Cap 856)
Metal Parts: Copper alloy, corrosion protected
Terminals: Solderable, tinned

Electrical Data (23°C)

Rated Voltage: 250V
Rated Current: 6.3A (VDE/SEMKO)
10A (CSA)
12A (UL)
Rated Power: 2W (VDE)

Operating Temperature

-40°C to +85°C (consider de-rating)

Climatic Test

-40°C/+85°C/21 days (IEC 60068-2-1...3)

Stock Conditions

+10°C to +60°C
relative humidity ≤ 75% yearly average,
without dew, maximum value for 30 days - 95%

Vibration Resistance

24 cycles at 15 min. each (IEC 60068-2-6)
10 - 60Hz at 0.75mm amplitude
60 - 500Hz at 10g acceleration

Contact Resistance

≤ 5mΩ

Impulse Voltage

4 kV, 50 Hz, 1 min., dry

Insulation Resistance

> 10³ MΩ (500 VDC, 1 min.)

Solderability

235°C, 2 sec. (Wave)
350°C, 1 sec. (Soldering Iron)

Soldering Heat Resistance

350°C, 5 sec. (IEC 60068-2-20)

Minimum Cross Section

Conducting path - 0.2mm²

Marking

Part No., 250V, Approvals

Unit Weight

3.2g (852) / 1.8g (855)
3.2g (853) / 1.9g (856)

Order Information

Packaging

Bulk (100 pcs.)

Order Numbers

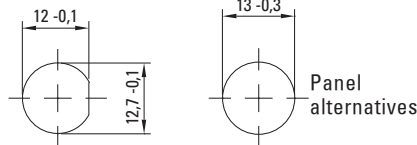
Holder, IP 40	No. 852 0000 100
Cap, without Ring, IP 40	No. 855 0000 100
Holder, IP 54	No. 853 0000 100
Cap, with Ring, IP 54	No. 856 0000 100



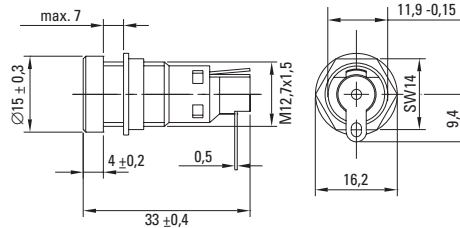
Note: 1.00 means the number one with two decimal places. 1,000 means the number one thousand.

Specifications are subject to change without notice

Holder / No. 850



Panel Mount, Shocksafe 5x20mm Fuses



Specifications

Standard
IEC 60127-6
UL 512
CSA C22.2. No.39

Approvals
VDE Report
SEMKO
UL Recognized
CSA
SEV



Mounting

12.7mm diameter D-hole or 13mm round hole
Admissible torque on plastic hex nut is 1.2Nm

Terminals

Solderable only, 4mm x 0.5mm (850)
Solderable or 2.8mm quick connect - fits 0.5mm tab (851)

Protection Class & Category

IP 40 (with Cap 855 acc. to IEC 60529)
IP 54 (with Cap 856 acc. to IEC 60529)
PC2 (IEC 60127-6)

Materials

Holder: Black Duroplastic
UL 94V0
Cap: Black Thermoplastic
UL94V0
Sealing Ring: Silicon (Cap 856)
Metal Parts: Copper alloy, corrosion protected
Terminals: Solderable, tinned

Electrical Data (23°C)

Rated Voltage: 250V
Rated Current: 10A
Rated Power: 3.2W (VDE/SEMKO)

Operating Temperature 4W (SEV)

-40°C to +85°C (consider de-rating)

Climatic Test

-40°C/+85°C/21 days (IEC 60068-2-1...3)

Stock Conditions

+10°C to +60°C
relative humidity ≤ 75% yearly average,
without dew, maximum value for 30 days - 95%

Vibration Resistance

24 cycles at 15 min. each (IEC 60068-2-6)
10 - 60Hz at 0.75mm amplitude
60 - 500Hz at 10g acceleration

Contact Resistance

≤ 5mΩ

Impulse Voltage

4 kV, 50 Hz, 1 min., dry

Insulation Resistance

> 10³ MΩ (500 VDC, 1 min.)

Solderability

235°C, 2 sec. (Wave)
350°C, 1 sec. (Soldering Iron)

Soldering Heat Resistance

350°C, 5 sec. (IEC 60068-2-20)

Minimum Cross Section

Conductor - 1.5mm²

Marking

Part No., 250V, Approvals

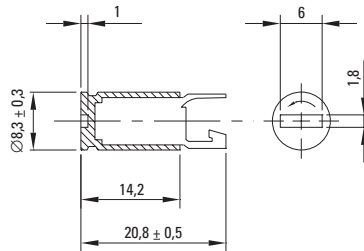
Unit Weight

4.1g (850) / 1.8g (855)
4.2g (851) / 1.9g (856)

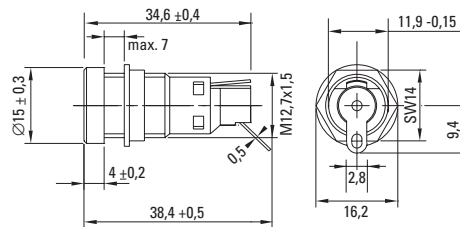
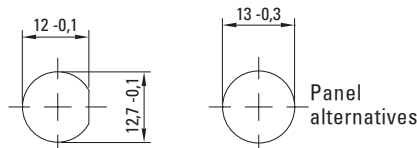
Cap / No. 855



Without silicon ring (IP 40)



Holder / No. 851



Electrical Data (23°C)

Rated Voltage: 250V
Rated Current: 10A
Rated Power: 3.2W (VDE/SEMKO)

Operating Temperature 4W (SEV)

-40°C to +85°C (consider de-rating)

Climatic Test

-40°C/+85°C/21 days (IEC 60068-2-1...3)

Stock Conditions

+10°C to +60°C
relative humidity ≤ 75% yearly average,
without dew, maximum value for 30 days - 95%

Vibration Resistance

24 cycles at 15 min. each (IEC 60068-2-6)
10 - 60Hz at 0.75mm amplitude
60 - 500Hz at 10g acceleration

Contact Resistance

≤ 5mΩ

Impulse Voltage

4 kV, 50 Hz, 1 min., dry

Insulation Resistance

> 10³ MΩ (500 VDC, 1 min.)

Solderability

235°C, 2 sec. (Wave)
350°C, 1 sec. (Soldering Iron)

Soldering Heat Resistance

350°C, 5 sec. (IEC 60068-2-20)

Minimum Cross Section

Conductor - 1.5mm²

Marking

Part No., 250V, Approvals

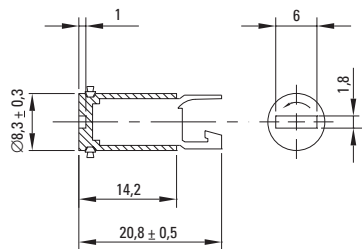
Unit Weight

4.1g (850) / 1.8g (855)
4.2g (851) / 1.9g (856)

Cap / No. 856



With silicon ring (IP 54)
(from front side only)



Order Information

Packaging

Bulk (100 pcs.)

Order Numbers

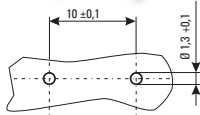
Holder, IP 40	No. 850 0000 100
Cap, without Ring, IP 40	No. 855 0000 100
Holder, IP 54	No. 851 0000 100
Cap, with Ring, IP 54	No. 856 0000 100



Note: 1.00 means the number one with two decimal places. 1,000 means the number one thousand.

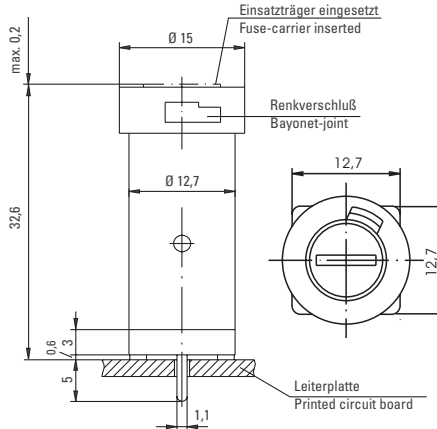
Specifications are subject to change without notice

Holder / No. 834



Lücher in der Leiterplatte
Holes in the printed circuit board

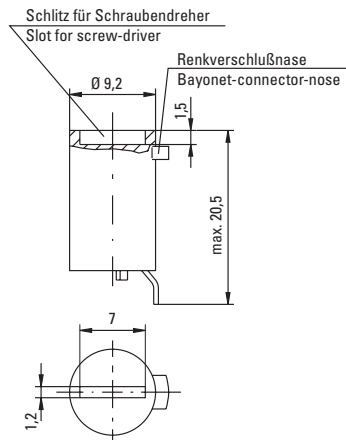
PCB mount, vertical for 5x20 mm Fuses



Cap / No. 835



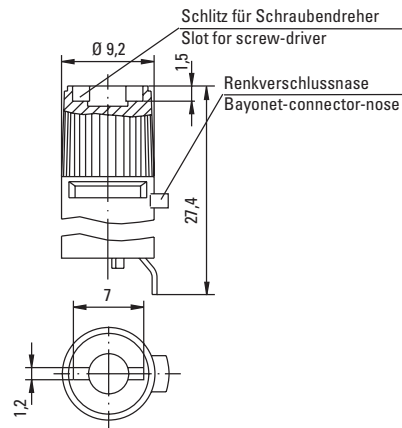
Flush Mount Type



Cap/ No. 837



Finger Grip Type



Specifications

Packaging

0 Karton (100 pcs.)

Standard

IEC 60127-6
UL 512
GSA C22.2. No.39

Approvals



Mounting

(2) Solder pins 0.5mm x 1.1mm

Protection Class & Category

IP 40 (IEC 60529)
PC2 (IEC 60127-6)

Materials

Holder/Cap: Black Thermoplastic Polyamide PA 6.6, UL94 V-0
Metal Parts: Copper alloy, corrosion protected
Terminals: Solderable, tinned

Electrical Data (40°C)

Rated Voltage: 250V
Rated Current: 6.3A (VDE/SEMKO)
16A (UL/CSA)
Rated Power: 2.5W (834+835 - VDE/SEMKO)

Operating Temperature

-25°C to +70°C (consider de-rating)

Climatic Test

-25°C/+70°C/21 days (IEC 60068-2-1...3)

Stock Conditions

+10°C to +60°C
relative humidity ≤ 75% yearly average,
without dew, maximum value for 30 days - 95%

Vibration Resistance

24 cycles at 15 min. each (IEC 60068-2-6)
10 - 60Hz at 0.75mm amplitude
60 - 2000Hz at 10g acceleration

Contact Resistance

≤ 5mΩ

Dielectric Strength

> 1.5 kV

Impulse Voltage

4 kV with 1,2µs/50µs

Insulation Resistance

> 10³ MΩ (500 VDC, 1 min.)

Solderability

235°C, 2 sec. (Soldering bath) (IEC 60068-2-20)
350°C, 3 sec. (Soldering Iron) (IEC 60068-2-20)

Soldering Heat Resistance

260°C, 5 sec. (Soldering bath) (IEC 60068-2-20)

Minimum Cross Section

Conducting path - 0.2mm²

Marking

834, 250V, Approvals

Unit Weight

3,5g (834) / 1,6g (835) / 2,2g (837)

WebLinks

Weitere Informationen siehe:

www.wickmanngroup.com

Weitere Anwendungshinweise siehe
Fuseologie:

www.wickmanngroup.com/download/fuseologie.pdf

Order Information

Qty.	Order Number	Series			Packaging
			0000	00	0

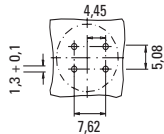
Note: 1.00 means the number one with two decimal places. 1.000 means the number one thousand.



Holder / No. 831

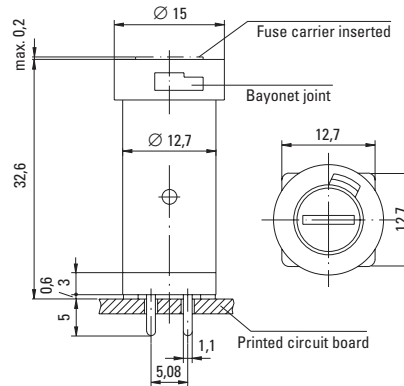


Vertical / 4 - Pin



Holes in the printed circuit board: 1,3 ± 0,1

PC Mount, Shocksafe 5x20mm Fuses



Specifications

Standard

IEC 60127-6
UL 512
CSA C22.2. No.39

Approvals (only 831/835)

VDE: License No. 123441
SEMKO: Certificate No. 9939091
UL Recognized: File No. E 70164
CSA Certified: File No. 47574



Mounting

(4) Solder pins 0.5mm x 1.1mm
The pins spaced at 5.08mm form a common connection.

Protection Class & Category

IP 40 (IEC 60529)
PC2 (IEC 60127-6)

Materials

Holder/Cap: Black Thermoplastic Polyamide PA 6.6, UL94 V-0
Metal Parts: Copper alloy, corrosion protected
Terminals: Solderable, tinned

Electrical Data (23°C)

Rated Voltage: 250V
Rated Current: 6.3A (VDE/SEMKO)
16A (UL/CSA)
Rated Power: 2.5W (VDE/SEMKO)

Operating Temperature

-25°C to +70°C (consider de-rating)

Climatic Test

-25°C/+70°C/21 days (IEC 60068-2-1...3)

Stock Conditions

+10°C to +60°C
relative humidity ≤ 75% yearly average,
without dew, maximum value for 30 days - 95%

Vibration Resistance

24 cycles at 15 min. each (IEC 60068-2-6)
10 - 60Hz at 0.75mm amplitude
60 - 2000Hz at 10g acceleration

Contact Resistance

≤ 5mΩ

Dielectric Strength

> 1.5 kV

Impulse Voltage

4 kV, 50 Hz, 1 min., dry

Insulation Resistance

> 10³ MΩ (500 VDC, 1 min.)

Solderability

235°C, 3 sec. (Wave)
350°C, 1 sec. (Soldering Iron)

Soldering Heat Resistance

260°C, 5 sec. (IEC 60068-2-20)

Minimum Cross Section

Conducting path - 0.2mm²

Marking

831, 250V, Approvals

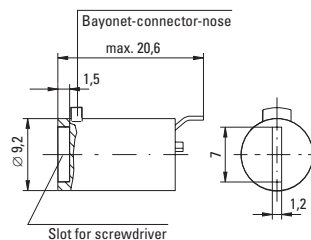
Unit Weight

4.1g (Holder) / 1.6g (835) / 2.2g (837)

Cap / No. 835



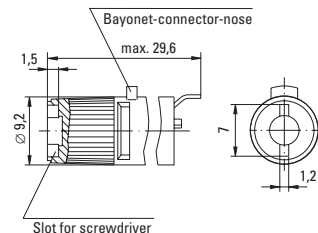
Flush Mount Type



Cap / No. 837



Finger Grip Type



Order Information

Packaging

Bulk (100 pcs.)

Order Numbers

Holder No. 831 0000 000
Cap, Flush Mount No. 835 0000 000
Cap, Finger Grip No. 837 0000 000

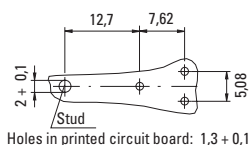


Note: 1.00 means the number one with two decimal places. 1,000 means the number one thousand.

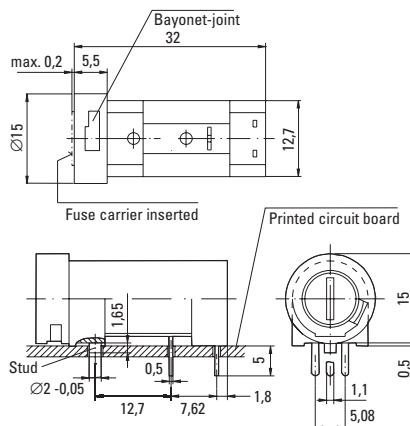
Holder / No. 830



Horizontal / 3-Pin



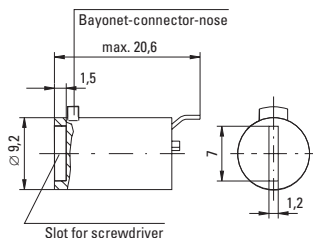
PC Mount, Shocksafe 5x20mm Fuses



Cap / No. 835



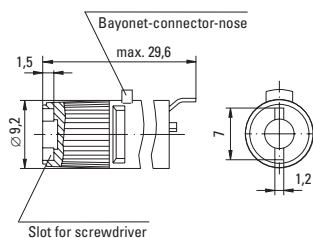
Flush Mount Type



Cap / No. 837



Finger Grip Type



Specifications

Standard

IEC 60127-6
UL 512
CSA C22.2. No.39

Approvals (only 830/835)

VDE: License No. 120623
SEMKO: Certificate No. 9850022
UL Recognized: File No. E 70164
CSA Certified: File No. 47574



Mounting

(3) Solder pins 0.5mm x 1.1mm and plastic stud.
The pins spaced at 5.08mm form a common connection.

Protection Class & Category

IP 40 (IEC 60529)
PC2 (IEC 60127-6)

Materials

Holder/Cap: Black Thermoplastic
Polyamide PA 6.6, UL94 V-0
Metal Parts: Copper alloy,
corrosion protected
Terminals: Solderable, tinned

Electrical Data (23°C)

Rated Voltage: 250V
Rated Current: 6.3A (VDE/SEMKO)
16A (UL/CSA)
Rated Power: 1.6W (VDE/SEMKO)

Operating Temperature

-25°C to +70°C (consider de-rating)

Climatic Test

-25°C/+70°C/21 days (IEC 60068-2-1...3)

Stock Conditions

+10°C to +60°C
relative humidity ≤ 75% yearly average,
without dew, maximum value for 30 days - 95%

Vibration Resistance

24 cycles at 15 min. each (IEC 60068-2-6)
10 - 60Hz at 0.75mm amplitude
60 - 2000Hz at 10g acceleration

Contact Resistance

≤ 5mΩ

Dielectric Strength

> 1.5 kV

Impulse Voltage

4 kV, 50 Hz, 1 min., dry

Insulation Resistance

> 10³ MΩ (500 VDC, 1 min.)

Solderability

235°C, 3 sec. (Wave)
350°C, 1 sec. (Soldering Iron)

Soldering Heat Resistance

260°C, 5 sec. (IEC 60068-2-20)

Minimum Cross Section

Conducting path - 0.2mm²

Marking

830, 250V, Approvals

Unit Weight

4.4g (Holder) / 1.6g (835) / 2.2g (837)

Order Information

Packaging

Bulk (100 pcs.)

Order Numbers

Holder No. 830 0000 000
Cap, Flush Mount No. 835 0000 000
Cap, Finger Grip No. 837 0000 000



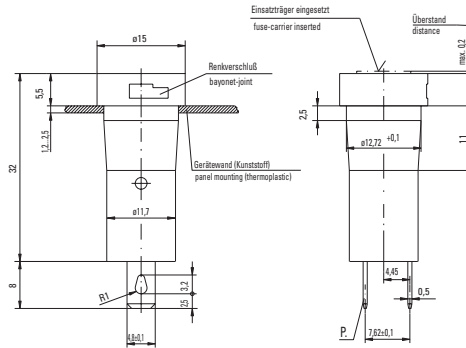
Note: 1.00 means the number one with two decimal places. 1,000 means the number one thousand.

Holder / No. 824



Panel mounting hole

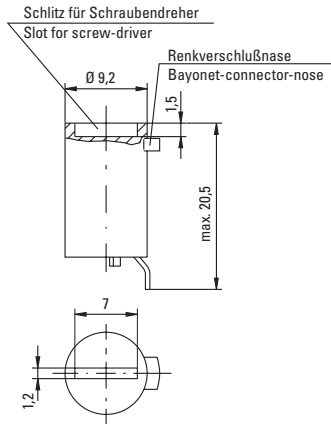
Panel Mount for 5x20mm Fuses



Cap / No. 835



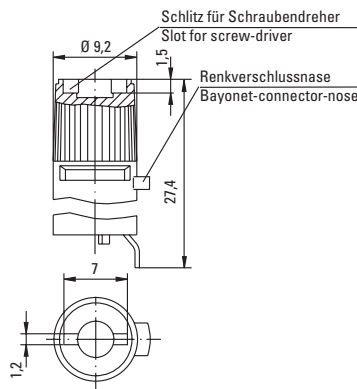
Flush Mount Type



Cap / No. 837



Finger Grip Type



Specifications

Packaging

Bulk (100 pcs.)

Standard

IEC 60127-6
UL 512
CSA C22.2. No.39

Approvals



Mounting

Pluggable (panel thickness 1.2 mm-2.5 mm)

Terminals

Solderable or 4.8mm quick connect - fits 0.5mm tab

Protection Class & Category

IP 40 (IEC 60529)
PC2 (IEC 60127-6)

Materials

Holder/Cap: Thermoplastic
(Polyamide PA 6.6), UL 94V-0, black

Metal Parts: Copper alloy, corrosion protected

Terminals: solderable tinned

Electrical Data (23°C)

Rated Voltage: 250V
Rated Current: 6.3A (VDE/SEMKO)
16A (UL/CSA)
Rated Power : 4W (VDE/SEMKO)

Operating Temperature

-25°C to +70°C (consider de-rating)

Climatic Test

-25°C/+70°C/21 days (IEC 60068-2-1...3)

Stock Conditions

+10°C to +60°C
relative humidity ≤ 75% yearly average,
without dew, maximum value for 30 days - 95%

Vibration Resistance

24 cycles at 15 min. each (IEC 60068-2-6)
10 - 60Hz at 0.75mm amplitude
60 - 2000Hz at 10g acceleration

Contact Resistance

≤ 5mΩ

Dielectric Strength

> 1.5 kV

Impulse Voltage

4 kV, 50Hz, 1 min., dry

Insulation Resistance

> 10³ MΩ (500VDC, 1 min.)

Solderability

235°C, 3 sec. (Wave)
350°C, 1 sec. (soldering iron)

Soldering Heat Resistance

260°C, 5 sec. (IEC 60068-2-20)

Minimum Cross Section

Conductor - 2.5mm²

Marking

824, 250V, Approvals

Unit Weight

3.3g (824) / 1.6g (835) / 2.2g (837)

Order Information

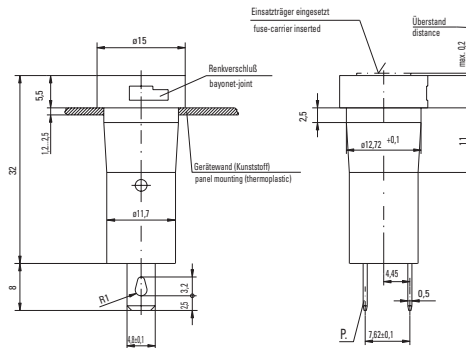
Qty	Order-Number	Series			Packaging
			0000	00	0

Note: 1.00 means the number one with two decimal places. 1,000 means the number one thousand.



Specifications are subject to change without notice

Holder / No. 824-20 Panel Mount for 5x20mm Fuses

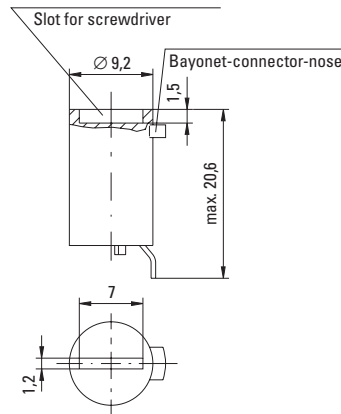


Panel mounting hole

Cap / No. 835-20



Flush Mount Type



Specifications

Standard

IEC 60127-6
UL 512
CSA C22.2. No.39



Mounting

Pluggable (panel thickness 1.2 mm-2.5 mm)

Terminals

Solderable or 4.8mm quick connect - fits 0.5mm tab

Protection Class & Category

IP 40 (IEC 60529)
PC2 (IEC 60127-6)

Materials

Holder/Cap: Thermoplastic
(Polyamide PA 6.6), UL94 V-0, black
Metal Parts: Copper alloy, corrosion protected
Terminals: solderable tinned

Electrical Data (23°C)

Rated Voltage: 250V
Rated Current: 6.3A (VDE/SEMKO)
16A (UL/CSA)
Rated Power: 4W (VDE/SEMKO)

Operating Temperature

-25°C to +70°C (consider de-rating)

Climatic Test

-25°C/+70°C/21 days (IEC 60068-2-1...3)

Stock Conditions

+10°C to +60°C
relative humidity ≤ 75% yearly average,
without dew, maximum value for 30 days - 95%

Vibration Resistance

24 cycles at 15 min. each (IEC 60068-2-6)
10 - 60Hz at 0.75mm amplitude
60 - 2000Hz at 10g acceleration

Contact Resistance

≤ 5mΩ

Dielectric Strength

> 1.5 kV

Impulse Voltage

4 kV, 50Hz, 1 min., dry

Insulation Resistance

> 10³ MΩ (500VDC, 1 min.)

Solderability

235°C, 3 sec. (Wave)
350°C, 1 sec. (soldering iron)

Soldering Heat Resistance

260°C, 5 sec. (IEC 60068-2-20)

Minimum Cross Section

Conductor - 2.5mm²

Marking

824, 250V, Approvals

Unit Weight

3.3g (824) / 1.6g (835) / 2.2g (837)

Order Information

Packaging

Bulk (100 pcs.)

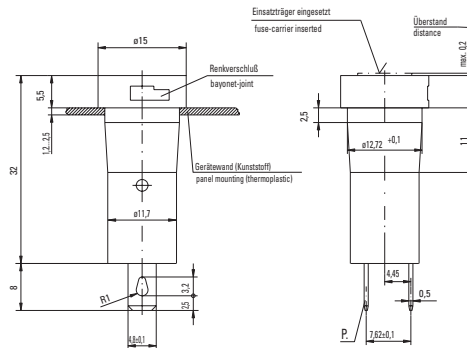
Order Numbers

Holder No. 824 0000 020
Cap, Flush Mount No. 835 0000 020



Note: 1.00 means the number one with two decimal places. 1,000 means the number one thousand.

Holder / No. 824-20 Panel Mount for 5x20mm Fuses

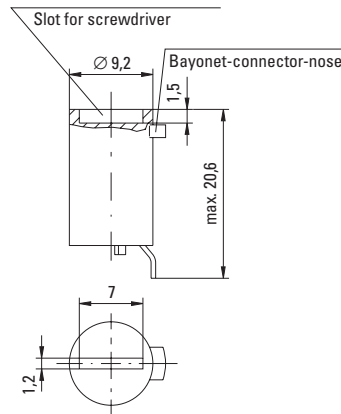


Panel mounting hole

Cap / No. 835-20



Flush Mount Type



Specifications

Standard

IEC 60127-6
UL 512
CSA C22.2. No.39



Mounting

Pluggable (panel thickness 1.2 mm-2.5 mm)

Terminals

Solderable or 4.8mm quick connect - fits 0.5mm tab

Protection Class & Category

IP 40 (IEC 60529)
PC2 (IEC 60127-6)

Materials

Holder/Cap: Thermoplastic
(Polyamide PA 6.6), UL94 V-0, black
Metal Parts: Copper alloy, corrosion protected
Terminals: solderable tinned

Electrical Data (23°C)

Rated Voltage: 250V
Rated Current: 6.3A (VDE/SEMKO)
16A (UL/CSA)
Rated Power: 4W (VDE/SEMKO)

Operating Temperature

-25°C to +70°C (consider de-rating)

Climatic Test

-25°C/+70°C/21 days (IEC 60068-2-1...3)

Stock Conditions

+10°C to +60°C
relative humidity \leq 75% yearly average,
without dew, maximum value for 30 days - 95%

Vibration Resistance

24 cycles at 15 min. each (IEC 60068-2-6)
10 - 60Hz at 0.75mm amplitude
60 - 2000Hz at 10g acceleration

Contact Resistance

\leq 5m Ω

Dielectric Strength

> 1.5 kV

Impulse Voltage

4 kV, 50Hz, 1 min., dry

Insulation Resistance

> 10³ M Ω (500VDC, 1 min.)

Solderability

235°C, 3 sec. (Wave)
350°C, 1 sec. (soldering iron)

Soldering Heat Resistance

260°C, 5 sec. (IEC 60068-2-20)

Minimum Cross Section

Conductor - 2.5mm²

Marking

824, 250V, Approvals

Unit Weight

3.3g (824) / 1.6g (835) / 2.2g (837)

Order Information

Packaging

Bulk (100 pcs.)

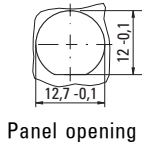
Order Numbers

Holder No. 824 2000 000
Cap, Flush Mount No. 835 2000 000

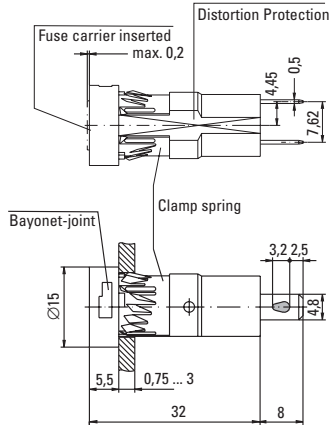


Note: 1.00 means the number one with two decimal places. 1,000 means the number one thousand.

Holder / No. 823



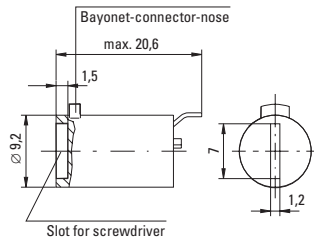
Panel Mount, Shocksafe Snap-In Type, 5x20mm Fuses



Cap / No. 835



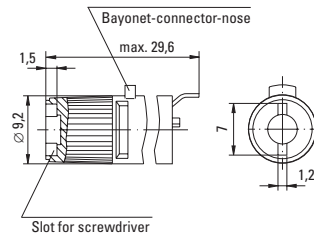
Flush Mount Type



Cap / No. 837



Finger Grip Type



Specifications

Standard

IEC 60127-6
UL 512
CSA C22.2. No.39

Approvals (only 823/835)

VDE: License No. 122096
SEMKO: Certificate No. 9942055
UL Recognized: File No. E 70164
CSA Certified: File No. 47574



Mounting

Pluggable with clamping spring into 12.7mm diameter D-hole (panel thickness 0.75mm-3mm)

Terminals

Solderable or 4.8mm quick connect-fits 0.5mm tab

Protection Class & Category

IP 40 (IEC 60529)
PC2 (IEC 60127-6)

Materials

Holder/Cap: Black Thermoplastic Polyamide PA 6.6, UL94 V-0
Metal Parts: Copper alloy, corrosion protected
Clamp Spring: Spring steel, non-treated
Terminals: Solderable, tinned

Electrical Data (23°C)

Rated Voltage: 250V
Rated Current: 6.3A (VDE/SEMKO)
16A (UL/CSA)
Rated Power: 4W (VDE/SEMKO)

Operating Temperature

-25°C to +70°C (consider de-rating)

Climatic Test

-25°C/+70°C/21 days (IEC 60068-2-1...3)

Stock Conditions

+10°C to +60°C
relative humidity ≤ 75% yearly average, without dew, maximum value for 30 days - 95%

Vibration Resistance

24 cycles at 15 min. each (IEC 60068-2-6)
10 - 60Hz at 0.75mm amplitude
60 - 2000Hz at 10g acceleration

Contact Resistance

≤ 5mΩ

Dielectric Strength

> 1.5 kV

Impulse Voltage

4 kV, 50 Hz, 1 min., dry

Insulation Resistance

> 10³ MΩ (500 VDC, 1 min.)

Solderability

235°C, 3 sec. (Wave)
350°C, 1 sec. (Soldering Iron)

Soldering Heat Resistance

260°C, 5 sec. (IEC 60068-2-20)

Minimum Cross Section

Conductor - 2.5mm²

Marking

823, 250V, Approvals

Unit Weight

3.8g (Holder) / 1.6g (835) / 2.2g (837)

Order Information

Packaging

Bulk (100 pcs.)

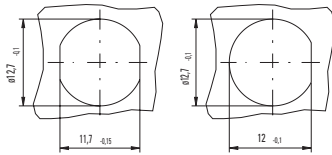
Order Numbers

Holder No. 823 0000 000
Cap, Flush Mount No. 835 0000 000
Cap, Finger Grip No. 837 0000 000

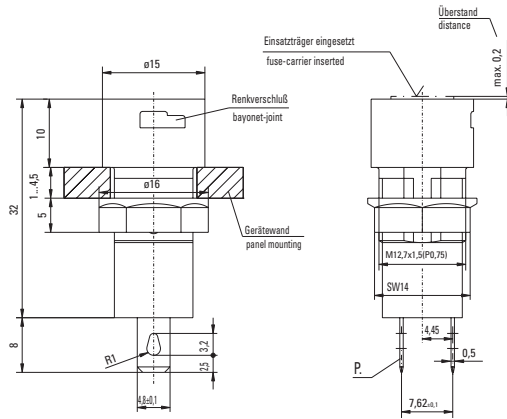


Note: 1.00 means the number one with two decimal places. 1,000 means the number one thousand.

Holder / No. 821



Panel Mount , for 5x20mm Fuses



Specifications

Packaging
0 bulk (100 pcs.)

Standard
IEC 60127-6
UL 512
CSA C22.2. No.39

Approvals



Mounting

12.7mm diameter D-hole or double D-hole (panel 1mm - 4.5mm)
Admissible torque on plastic hex nut is 1.2Nm

Terminals

Solderable or 4.8mm quick connect - fits 0.5mm tab

Protection Class & Category

IP 40 (IEC 60529)
PC2 (IEC 60127-6)

Materials

Holder/Cap: Thermoplastic
Polyamide PA 6.6, UL94 V-0, black
Metal Parts: Copper alloy, corrosion protected
Terminals: solderable, tinned

Electrical Data (23°C)

Rated Voltage: 250V
Rated Current: 6.3A (VDE/SEMKO)
16A (UL/CSA)
Rated Power : 4W (SEMKO)
2.5W (VDE)

Operating Temperature

-25°C to +70°C (consider de-rating)

Climatic Test

-25°C/+70°C/21 days (IEC 60068-2-1...3)

Stock Conditions

+10°C to +60°C
relative humidity ≤ 75% yearly average,
without dew, maximum value for 30 days - 95%

Vibration Resistance

24 cycles at 15 min. each (IEC 60068-2-6)
10 - 60Hz at 0.75mm amplitude
60 - 2000Hz at 10g acceleration

Contact Resistance

≤ 5mΩ

Dielectric Strength

> 1.5 kV

Impulse Voltage

4 kV with 1,2µs/50µs

Insulation Resistance

> 10 MΩ (500VDC, 1 min.)

Solderability

235 °C, 2 sec. (soldering bath) (IEC 60068-2-20)
350 °C, 3 sec. (soldering iron) (IEC 60068-2-20)

Soldering Heat Resistance

260°C, 5 sec. (IEC 60068-2-20)

Minimum Cross Section

Conductor - 2.5mm²

Marking

821, 250V, Approvals

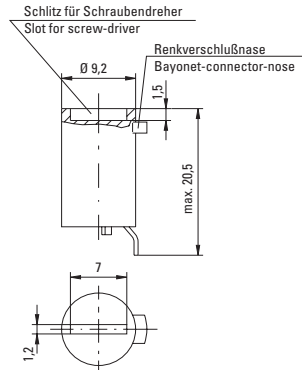
Unit Weight

4.0g (821) / 1.6g (835) / 2.2g (837)

Cap / No. 835



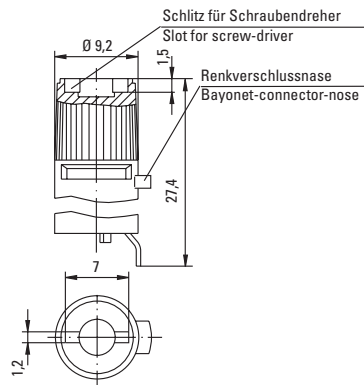
Flush Mount Type



Cap / No. 837



Finger Grip Type



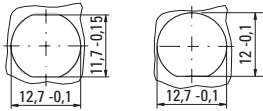
Order Info

Qty.	Order Number	Series		Packaging
			0000 00	0

Note: 1.00 means the number one with two decimal places. 1,000 means the number one thousand.

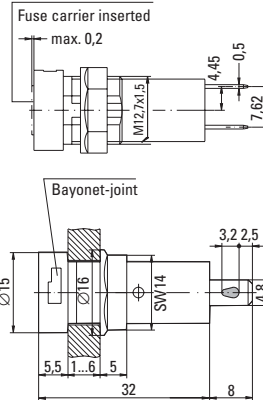
Specifications are subject to change without notice

Holder / No. 820



Panel alternatives

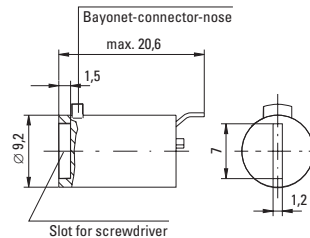
Panel Mount, Shocksafe 5x20mm Fuses



Cap / No. 835



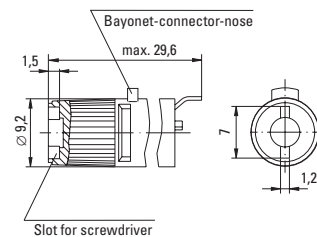
Flush Mount Type



Cap / No. 837



Finger Grip Type



Specifications

Standard

IEC 60127-6
UL 512
CSA C22.2. No.39

Approvals (only 820/835)

VDE: License No. 132225
SEMKO: Certificate No. 9942054
UL Recognized: File No. E 70164
CSA Certified: File No. 47574



Mounting

12.7mm diameter D-hole or double D-hole
Admissible torque on plastic hex nut is 1.2Nm

Terminals

Solderable or 4.8mm quick connect-fits 0.5mm tab

Protection Class & Category

IP 40 (IEC 60529)
PC2 (IEC 60127-6)

Materials

Holder/Cap: Black Thermoplastic
Polyamide PA 6.6, UL 94 V-0
Metal Parts: Copper alloy,
corrosion protected
Terminals: Solderable, tinned

Electrical Data (23°C)

Rated Voltage: 250V
Rated Current: 6.3A (VDE/SEMKO)
16A (UL/CSA)
Rated Power: 4W (SEMKO)

Operating Temperature

-25°C to +70°C (consider de-rating)

Climatic Test

-25°C/+70°C/21 days (IEC 60068-2-1...3)

Stock Conditions

+10°C to +60°C
relative humidity ≤ 75% yearly average,
without dew, maximum value for 30 days - 95%

Vibration Resistance

24 cycles at 15 min. each (IEC 60068-2-6)
10 - 60Hz at 0.75mm amplitude
60 - 2000Hz at 10g acceleration

Contact Resistance

≤ 5mΩ

Dielectric Strength

> 1.5 kV

Impulse Voltage

4 kV, 50 Hz, 1 min., dry

Insulation Resistance

> 10³ MΩ (500 VDC, 1 min.)

Solderability

235°C, 3 sec. (Wave)
350°C, 1 sec. (Soldering Iron)

Soldering Heat Resistance

260°C, 5 sec. (IEC 60068-2-20)

Minimum Cross Section

Conductor - 2.5mm²

Marking

820, 250V, Approvals

Unit Weight

4.0g (Holder) / 1.6g (835) / 2.2g (837)

Order Information

Packaging

Bulk (100 pcs.)

Order Numbers

Holder No. 820 0000 000
Cap, Flush Mount No. 835 0000 000
Cap, Finger Grip No. 837 0000 000

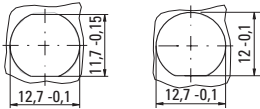
Specifications are subject to change without notice

Note: 1.00 means the number one with two decimal places. 1,000 means the number one thousand.

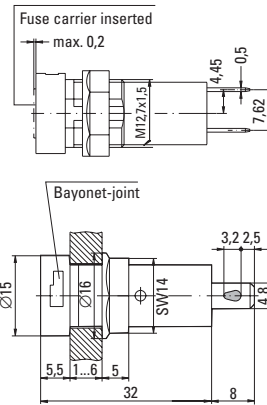


Holder / No. 820-20

Panel Mount, Shocksafe 5x20mm Fuses



Panel alternatives



Specifications

Packaging
0 bulk (100 pcs.)

Standard
IEC 60127-6
UL 512

Approvals (only 820/835)



Mounting

12.7mm diameter D-hole or double D-hole
Admissible torque on plastic hex nut is 1.2Nm

Terminals

Solderable or 4.8mm quick connect-fits 0.5mm tab

Protection Class & Category

IP 40 (IEC 60529)
PC2 (IEC 60127-6)

Materials

Holder/Cap: White Thermoplastic
PBT, UL94 V-0
Metal Parts: Copper alloy,
corrosion protected
Terminals: Solderable, tinned
Nut: Thermoplastics, Polyamid PA 6.6,
black, UL94 V-0

Electrical Data (23°C)

Rated Voltage: 250V
Rated Current: 6.3A (VDE/SEMKO)
16A (UL)
Rated Power: 2.5W (SEMKO)

Operating Temperature

-25°C to +70°C (consider de-rating)

Climatic Test

-25°C/+70°C/21 days (IEC 60068-2-1...3)

Stock Conditions

+10°C to +60°C
relative humidity ≤ 75% yearly average,
without dew, maximum value for 30 days - 95%

Vibration Resistance

24 cycles at 15 min. each (IEC 60068-2-6)
10 - 60Hz at 0.75mm amplitude
60 - 2000Hz at 10g acceleration

Contact Resistance

≤ 5mΩ

Dielectric Strength

> 1.5 kV

Impulse Voltage

4 kV with 1,2μs/50μs

Insulation Resistance

> 10 MΩ (500 VDC, 1 min.)

Solderability

235 °C, 2 sec. (soldering bath) (IEC 60068-2-20)
350 °C, 3 sec. (soldering iron) (IEC 60068-2-20)

Soldering Heat Resistance

260°C, 5 sec. (IEC 60068-2-20)

Minimum Cross Section

Conductor - 2.5mm²

Marking

820, 250V, Approvals

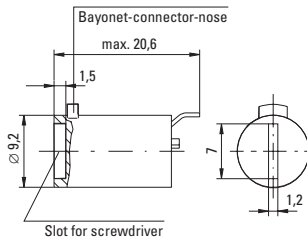
Unit Weight

4.0g (820) / 1.6g (835)

Cap / No. 835-20



Flush Mount Type



Order Info

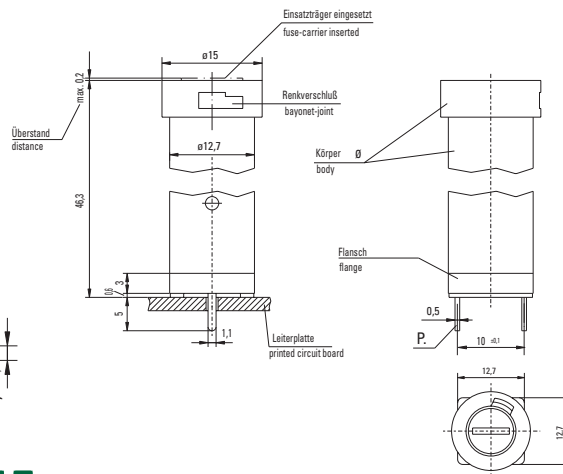
Qty.	Order Number	Series		Packaging
			0000 02	0

Note: 1.00 means the number one with two decimal places. 1,000 means the number one thousand.

Specifications are subject to change without notice

Holder / No. 814

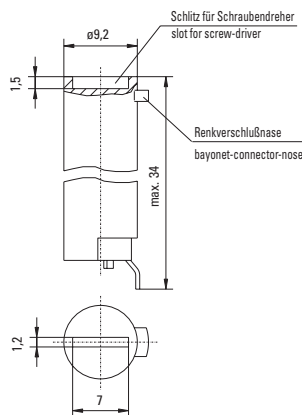
PC Mount, vertical Universal for 5x20mm / 6.3x32mm Fuses



Cap / No. 815



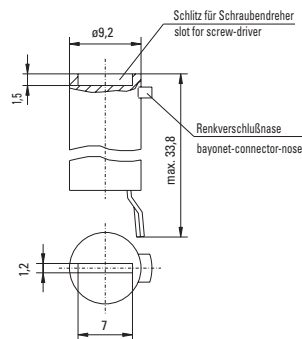
For 5x20mm Fuses



Cap / No. 816



For 6.3x32mm Fuses



Specifications

Packaging

Bulk (100 pcs.)

Standard

IEC 60127-6
CSA C22.2. No.39
UL 512

Approvals



Mounting

(2) Solder pins 0.5mm x 1.1mm

Protection Class & Category

IP 40 (IEC 60529)
PC2 (IEC 60127-6)

Materials

Holder/Cap: Thermoplastic (Polyamide PA 6.6), UL 94 V-0, black
Metal Parts: Copper alloy, corrosion protected
Terminals: Solderable, tinned

Electrical Data (23°C)

Rated Voltage: 250V
Rated Current: 6.3A (VDE/SEMKO)
16A (UL/CSA)
Rated Power: 2.5W (VDE/SEMKO)

Operating Temperature

-25°C to +70°C (consider de-rating)

Climatic Test

-25°C/+70°C/21 days (IEC 60068-2-1...3)

Stock Conditions

+10°C to +60°C
relative humidity ≤ 75% yearly average,
without dew, maximum value for 30 days - 95%

Vibration Resistance

24 cycles at 15 min. each (IEC 60068-2-6)
10 - 60Hz at 0.75mm amplitude
60 - 2000Hz at 10g acceleration

Contact Resistance

≤ 5mΩ

Dielectric Strength

> 1.5 kV

Impulse Voltage

4 kV, 50 Hz, 1 min., dry

Insulation Resistance

> 10³ MΩ (500 VDC, 1 min.)

Solderability

235°C, 3 sec. (Wave)
350°C, 1 sec. (Soldering Iron)

Soldering Heat Resistance

260°C, 5 sec. (IEC 60068-2-20)

Minimum Cross Section

Conducting path - 0.2mm²

Marking

814, 250V, Approvals

Unit Weight

4.6g (814) / 2.5g (815/816)



Order Information

Qty.	Order-Number	Series			Packaging
			0000	00	0

Specifications are subject to change without notice

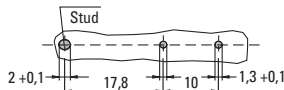
Note: 1.00 means the number one with two decimal places. 1,000 means the number one thousand.

Holder / No. 813

Not for new designs - refer to No. 862

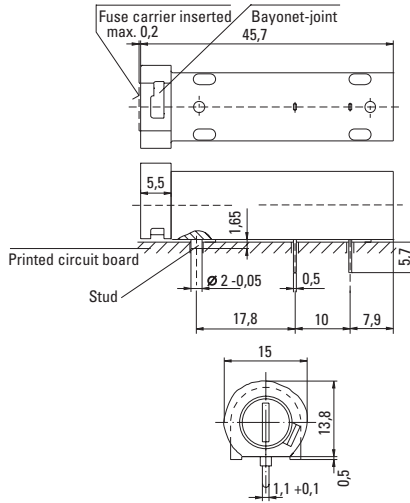


Horizontal / 2-Pin



Holes in the printed circuit board: 1,3 +0,1

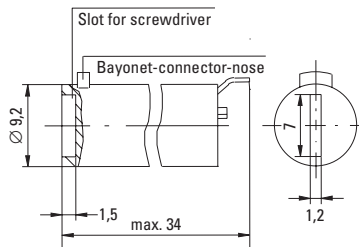
PC Mount, Shocksafe 5x20mm / 6.3x32mm Fuses



Cap / No. 815



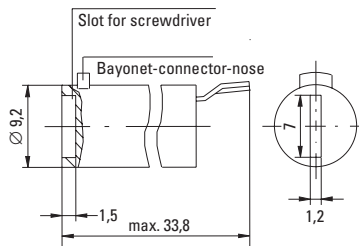
For 5x20mm Fuses



Cap / No. 816



For 6.3x32mm Fuses



Specifications

Standard
IEC 60127-6
UL 512
CSA C22.2. No.39

Approvals



Mounting

(2) Solder pins 0.5mm x 1.1mm and plastic stud

Protection Class & Category

IP 40 (IEC 60529)
PC2 (IEC 60127-6)

Materials

Holder/Cap: Black Thermoplastic
Polyamide PA 6.6, UL94 V-0
Metal Parts: Copper alloy,
corrosion protected
Terminals: Solderable, tinned

Electrical Data (23°C)

Rated Voltage: 250V
Rated Current: 6.3A (VDE/SEMKO)
16A (UL/CSA)
Rated Power: 1.6W (813+815 - VDE/SEMKO)
2.5W (813+816 - VDE/SEMKO)

Operating Temperature

-25°C to +70°C (consider de-rating)

Climatic Test

-25°C/+70°C/21 days (IEC 60068-2-1...3)

Stock Conditions

+10°C to +60°C
relative humidity ≤ 75% yearly average,
without dew, maximum value for 30 days - 95%

Vibration Resistance

24 cycles at 15 min. each (IEC 60068-2-6)
10 - 60Hz at 0.75mm amplitude
60 - 2000Hz at 10g acceleration

Contact Resistance

≤ 5mΩ

Dielectric Strength

> 1.5 kV

Impulse Voltage

4 kV, 50 Hz, 1 min., dry

Insulation Resistance

> 10³ MΩ (500 VDC, 1 min.)

Solderability

235°C, 3 sec. (Wave)
350°C, 1 sec. (Soldering Iron)

Soldering Heat Resistance

260°C, 5 sec. (IEC 60068-2-20)

Minimum Cross Section

Conducting path - 0.2mm²

Marking

813, 250V, Approvals

Unit Weight

5.8g (Holder) / 2.5g (Cap)

Order Information

Packaging

Bulk (100 pcs.)

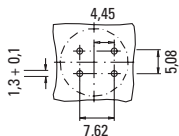
Order Numbers

Holder	No. 813 0000 000
Cap, 5x20mm	No. 815 0000 000
Cap, 6.3x32mm	No. 816 0000 000



Note: 1.00 means the number one with two decimal places. 1,000 means the number one thousand.

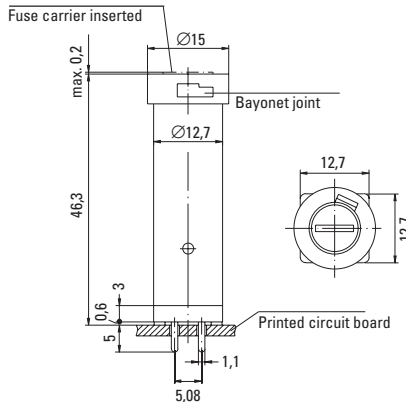
Holder / No. 811 shock-safe



**Vertical
4-Pin**

Holes in the printed circuit board: 1,3 +0,1

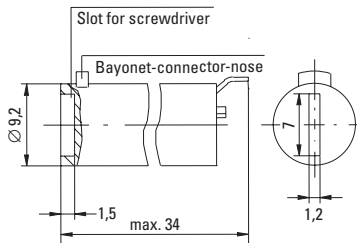
PC Mount, Shocksafe 5x20mm / 6.3x32mm Fuses



Cap / No. 815



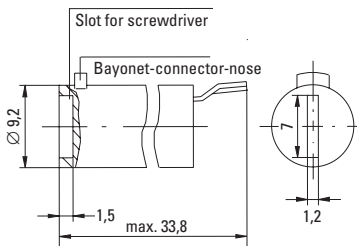
For 5x20mm Fuses



Cap / No. 816



For 6.3x32mm Fuses



Specifications

Standard

IEC 60127-6
UL 512
CSA C22.2. No.39

Approvals

VDE: License No. 120642
SEMKO: Certificate No. 9916001
UL Recognized: File No. E 70164
CSA Certified: File No. 47574



Mounting

(4) Solder pins 0.5mm x 1.1mm
The pins spaced at 5.08mm form a common connection.

Protection Class & Category

IP 40 (IEC 60529)
PC2 (IEC 60127-6)

Materials

Holder/Cap: Black Thermoplastic
Polyamide PA 6.6, UL94 V-0
Metal Parts: Copper alloy,
corrosion protected
Terminals: Solderable, tinned

Electrical Data (23°C)

Rated Voltage: 250V
Rated Current: 6.3A (VDE/SEMKO)
16A (UL/CSA)
Rated Power: 2.5W (VDE/SEMKO)

Operating Temperature

-25°C to +70°C (consider de-rating)

Climatic Test

-25°C/+70°C/21 days (IEC 60068-2-1...3)

Stock Conditions

+10°C to +60°C
relative humidity ≤ 75% yearly average,
without dew, maximum value for 30 days - 95%

Vibration Resistance

24 cycles at 15 min. each (IEC 60068-2-6)
10 - 60Hz at 0.75mm amplitude
60 - 2000Hz at 10g acceleration

Contact Resistance

≤ 5mΩ

Dielectric Strength

> 1.5 kV

Impulse Voltage

4 kV, 50 Hz, 1 min., dry

Insulation Resistance

> 10³ MΩ (500 VDC, 1 min.)

Solderability

235°C, 3 sec. (Wave)
350°C, 1 sec. (Soldering Iron)

Soldering Heat Resistance

260°C, 5 sec. (IEC 60068-2-20)

Minimum Cross Section

Conducting path - 0.2mm²

Marking

811, 250V, Approvals

Unit Weight

5.2g (Holder) / 2.5g (Cap)

Order Information

Packaging

Bulk (100 pcs.)

Order Numbers

Holder	No. 811 0000 000
Cap, 5x20mm	No. 815 0000 000
Cap, 6.3x32mm	No. 816 0000 000

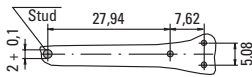


Note: 1.00 means the number one with two decimal places. 1,000 means the number one thousand.

Holder / No. 810 shock-safe

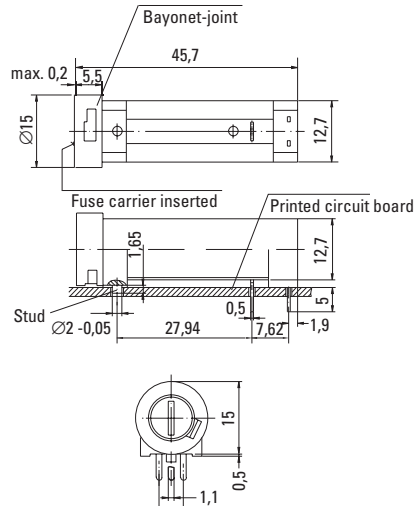


Horizontal / 3-Pin



Holes in the printed circuit board: 1,3 +0,1

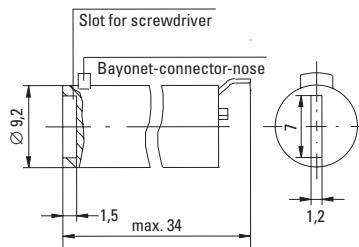
PC Mount, Shocksafe 5x20mm / 6.3x32mm Fuses



Cap / No. 815



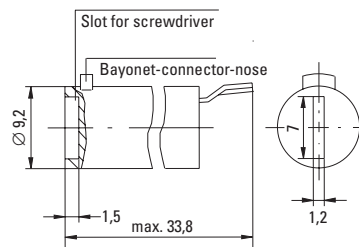
For 5x20mm Fuses



Cap / No. 816



For 6.3x32mm Fuses



Specifications

Standard

IEC 60127-6
UL 512
CSA C22.2. No.39

Approvals

VDE: License No. 118611
SEMKO: Certificate No. 9932039
UL Recognized: File No. E 70164
CSA Certified: File No. 47574



Mounting

(3) Solder pins 0.5mm x 1.1mm and plastic stud
The pins spaced at 5.08mm form a common connection.

Protection Class & Category

IP 40 (IEC 60529)
PC2 (IEC 60127-6)

Materials

Holder/Cap: Black Thermoplastic
Polyamide PA 6.6, UL94 V-0
Metal Parts: Copper alloy,
corrosion protected
Terminals: Solderable, tinned

Electrical Data (23°C)

Rated Voltage: 250V
Rated Current: 6.3A (VDE/SEMKO)
16A (UL/CSA)
Rated Power : 2.5W (VDE/SEMKO)

Operating Temperature

-25°C to +70°C (consider de-rating)

Climatic Test

-25°C/+70°C/21 days (IEC 60068-2-1...3)

Stock Conditions

+10°C to +60°C
relative humidity ≤ 75% yearly average,
without dew, maximum value for 30 days - 95%

Vibration Resistance

24 cycles at 15 min. each (IEC 60068-2-6)
10 - 60Hz at 0.75mm amplitude
60 - 2000Hz at 10g acceleration

Contact Resistance

≤ 5mΩ

Dielectric Strength

> 1.5 kV

Impulse Voltage

4 kV, 50 Hz, 1 min., dry

Insulation Resistance

> 10³ MΩ (500 VDC, 1 min.)

Solderability

235°C, 3 sec. (Wave)
350°C, 1 sec. (Soldering Iron)

Soldering Heat Resistance

260°C, 5 sec. (IEC 60068-2-20)

Minimum Cross Section

Conducting path - 0.2mm²

Marking

810, 250V, Approvals

Unit Weight

5.4g (Holder) / 2.5g (Cap)

Order Information

Packaging

Bulk (100 pcs.)

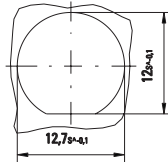
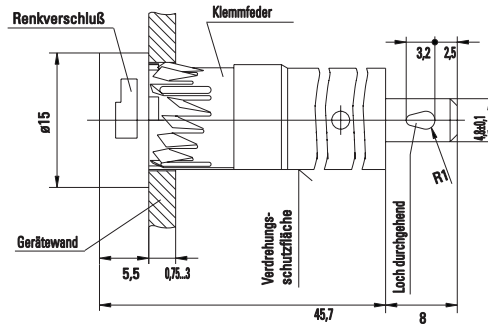
Order Numbers

Holder	No. 810 0000 000
Cap, 5x20mm	No. 815 0000 000
Cap, 6.3x32mm	No. 816 0000 000

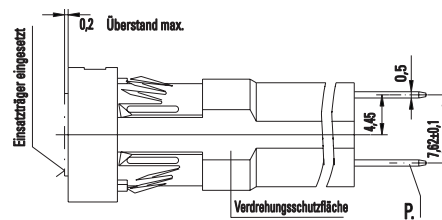


Note: 1.00 means the number one with two decimal places. 1,000 means the number one thousand.

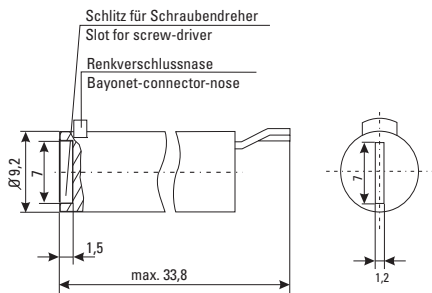
Holder / No. 803 01 Panel Mount for 500 Volts



Panel Mounting Hole



Cap / No. 816 for 500 Volt



For 6.3x32 mm Fuses

Specifications

Packaging

0 bulk (100 pcs.)

Standard

IEC 60127-6
UL 512
CSA C22.2

Approvals



Mounting

Pluggable with clamping spring in 12.7mm diameter D-hole (panel of 0.75mm - 3 mm)

Terminals

Solderable or 4.8mm quick connect-fits 0.5mm tab

Protection Class & Category

IP 40 (IEC 60529)
PC2 (IEC 60127-6)

Materials

- Holder / Cap: Thermoplastic (Polyamide PA 6.6), black, UL94 V-0
- Clamp spring: non-corrosion metal, untreated
- Metal Parts: Copper alloy, corrosion protected
- Terminals: solderable tinned

Electrical Data (23°C)

Rated Voltage: 500 V
Rated Current: 10 A (VDE/SEMKO)
16 A (UL/CSA)
Rated Power : 4 W (VDE/SEMKO)

Operating Temperature

-25°C to +70°C (consider de-rating)

Climatic Test

-25 °C/+70 °C/21 days (IEC 60068-2-1...3)

Stock Conditions

+10°C to +60°C
relative humidity ≤ 75% yearly average, without dew, maximum value for 30 days - 95%

Contact Resistance

≤ 5mΩ

Dielectric Strength

> 2 kV

Impulse Voltage

4 kV with 1.2 / 50 μs

Insulation Resistance

> 10³ MΩ (500 VDC, 1 min.)

Solderability

235°C, 2 sec. (soldering bath) (IEC 60068-2-20)
350 °C, 3 sek. (soldering iron) (IEC 60068-2-20)

Soldering Heat Resistance

260°C, 5 sec. (soldering bath) (IEC 60068-2-20)

Minimum Cross Section

Conductor - 2.5mm²

Marking

803, 500 V, Approvals

Unit Weight

4.9 g (803) / 2.0 g (816)



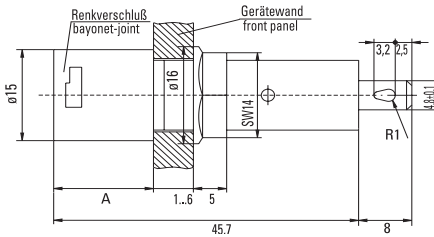
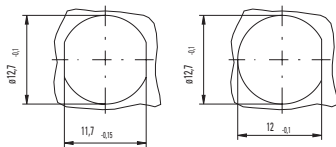
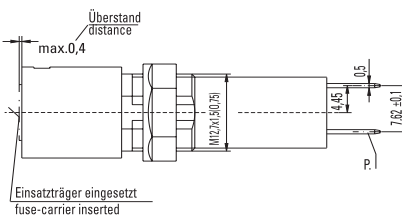
Order Information

Qty.	Order-Number	Series		Packaging
		0000	00	0

Note: 1.00 means the number one with two decimal places. 1,000 means the number one thousand.

Specifications are subject to change without notice

Holder / No. 801/802 Panel Mount for 5x20 mm und 6.3x32 mm Fuses



801 A=10mm
802 A=15mm

Specifications

Packaging

Bulk (100 St.)

Standard

IEC 60127-6
UL 512
CSA C22.2 No. 39

Approvals



Mounting

12.7mm diameter D-hole or double D-hole
Admissible torque on plastic hex nut is 1.2Nm

Terminals

Solderable or 4.8mm quick connect-fits 0.5mm tab

Protection Class & Category

IP 40 (IEC 60529)
PC2 (IEC 60127-6)

Materials

Holder / Cap: Thermoplastic (Polyamide PA 6.6), black, UL94 V-0
Metal Parts: Copper alloy, corrosion protected
Terminals: solderable tinned

Electrical Data (23°C)

Rated Voltage: 250 V
Rated Current: 6.3 A (VDE/SEMKO) with cap 815
10 A (VDE/SEMKO) with cap 816
Rated Power: 2.5 W (VDE/SEMKO)

Operating Temperature

-25°C to +70°C (consider de-rating)

Climatic Test

-25 °Y / +70 °C/21 days (IEC 60068-2-1...3)

Stock Conditions

+10°C to +60°C
relative humidity ≤ 75% yearly average, without dew, maximum value for 30 days - 95%

Vibration Resistance

24 cycles at 15 min. each (IEC 60068-2-6)
10 - 60Hz at 0.75mm amplitude
60 - 2000Hz at 10g acceleration

Contact Resistance

≤ 5mΩ

Dielectric Strength

>1.5 kV

Impulse Voltage

4 kV, 50 Hz, 1 min., dry

Insulation Resistance

> 10³ MΩ (500 VDC, 1 min.)

Solderability

235°C, 2 sec. (Wave)
350°C, 1 sec. (manually)

Soldering Heat Resistance

260°C, 5 sec. (IEC 60068-2-20)

Minimum Cross Section

Conductor - 2.5mm²

Marking

Series, 250V, Approvals

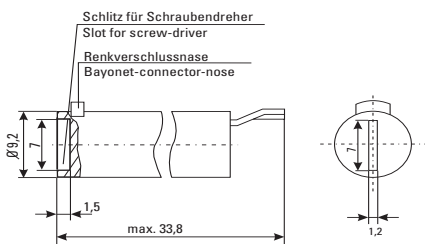
Unit Weight

5.0g (801/802) / 2.5g (815/816)

Cap / Nr. 815



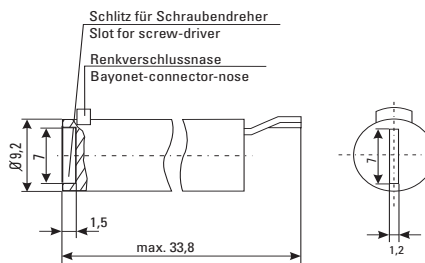
For 5x20mm Fuses



Cap / Nr. 816



For 6.3x32mm Fuses

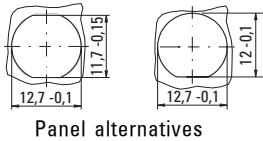


Order Information

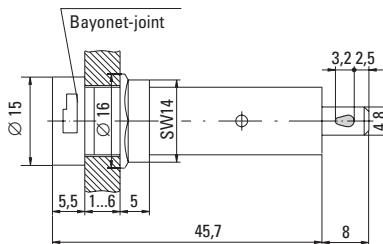
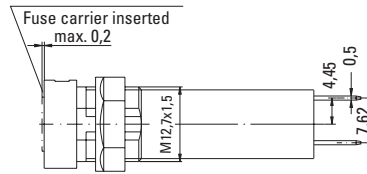
Qty.	Order-Number	Series			Packaging
			0000	00	0

Note: 1.00 means the number one with two decimal places. 1,000 means the number one thousand.

Holder / No. 800



Panel Mount, Shocksafe 5x20mm / 6.3x32mm Fuses



Specifications

Standard

IEC 60127-6
UL 512
CSA C22.2. No.39

Approvals

VDE: License No. 122016
SEMKO: Certificate No. 9850284
UL Recognized: File No. E 70164
CSA Certified: File No. 47574



Mounting

12.7mm diameter D-hole or double D-hole
Admissible torque on plastic hex nut is 1.2Nm

Terminals

Solderable or 4.8mm quick connect-fits 0.5mm tab

Protection Class & Category

IP 40 (IEC 60529)
PC2 (IEC 60127-6)

Materials

Holder/Cap: Black Thermoplastic
Polyamide PA 6.6, UL94 V-0
Metal Parts: Copper alloy,
corrosion protected
Terminals: Solderable, tinned

Electrical Data (23°C)

Rated Voltage: 250V
Rated Current: 6.3A (800+815 - VDE/SEMKO)
10A (800+816 - VDE/SEMKO)
16A (UL/CSA)
Rated Power: 2.5W (VDE/SEMKO)

Operating Temperature

-25°C to +70°C (consider de-rating)

Climatic Test

-25°C/+70°C/21 days (IEC 60068-2-1...3)

Stock Conditions

+10°C to +60°C
relative humidity ≤ 75% yearly average,
without dew, maximum value for 30 days - 95%

Vibration Resistance

24 cycles at 15 min. each (IEC 60068-2-6)
10 - 60Hz at 0.75mm amplitude
60 - 2000Hz at 10g acceleration

Contact Resistance

≤ 5mΩ

Dielectric Strength

> 1.5 kV

Impulse Voltage

4 kV, 50 Hz, 1 min., dry

Insulation Resistance

> 10³ MΩ (500 VDC, 1 min.)

Solderability

235°C, 3 sec. (Wave)
350°C, 1 sec. (Soldering Iron)

Soldering Heat Resistance

260°C, 5 sec. (IEC 60068-2-20)

Minimum Cross Section

Conductor - 2.5mm²

Marking

800, 250V, Approvals

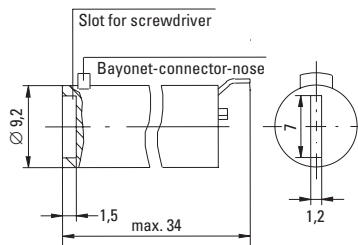
Unit Weight

4.7g (Holder) / 2.5g (Cap)

Cap / No. 815



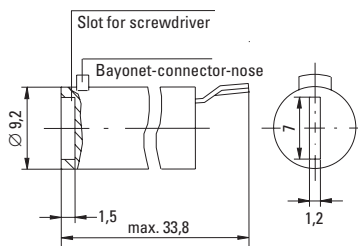
For 5x20mm Fuses



Cap / No. 816



For 6.3x32mm Fuses



Order Information

Packaging

Bulk (100 pcs.)

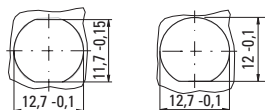
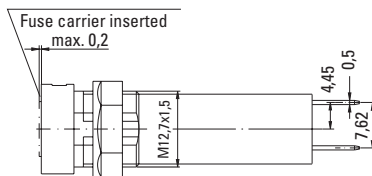
Order Numbers

Holder	No. 800 0000 000
Cap, 5x20mm	No. 815 0000 000
Cap, 6.3x32mm	No. 816 0000 000

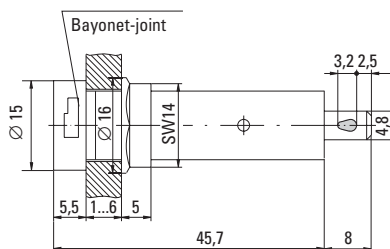


Note: 1.00 means the number one with two decimal places. 1,000 means the number one thousand.

Holder / No. 800 01 Panel Mount, Shocksafe 6.3x32mm Fuses



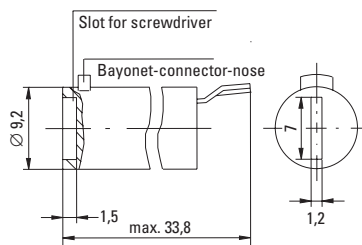
Panel alternatives



Cap / No. 816



For 6.3x32mm Fuses



Specifications

Standard

IEC 60127-6
UL 512

Approvals

VDE: License No. 123336
SEMKO: Certificate No. 9850284
UL Recognized: File No. E 70164



Mounting

12.7mm diameter D-hole or double D-hole
Admissible torque on plastic hex nut is 1.2Nm

Terminals

Solderable or 4.8mm quick connect-fits 0.5mm tab

Protection Class & Category

IP 40 (IEC 60529)
PC2 (IEC 60127-6)

Materials

Holder/Cap: Black Thermoplastic
Polyamide PA 6.6, UL94 V-0
Metal Parts: Copper alloy,
corrosion protected
Terminals: Solderable, tinned

Electrical Data (23°C)

Rated Voltage: 500V
Rated Current: 10A (800+816 - VDE/SEMKO)
16A (UL/CSA)
Rated Power : 2.5W (VDE/SEMKO)

Operating Temperature

-25°C to +70°C (consider de-rating)

Climatic Test

-25°C/+70°C/21 days (IEC 60068-2-1...3)

Stock Conditions

+10°C to +60°C
relative humidity ≤ 75% yearly average,
without dew, maximum value for 30 days - 95%

Vibration Resistance

24 cycles at 15 min. each (IEC 60068-2-6)
10 - 60Hz at 0.75mm amplitude
60 - 2000Hz at 10g acceleration

Contact Resistance

≤ 5mΩ

Dielectric Strength

> 1.5 kV

Impulse Voltage

4 kV, 50 Hz, 1 min., dry

Insulation Resistance

> 10³ MΩ (500 VDC, 1 min.)

Solderability

235°C, 3 sec. (Wave)
350°C, 1 sec. (Manual)

Soldering Heat Resistance

260°C, 5 sec. (IEC 60068-2-20)

Minimum Cross Section

Conductor - 2.5mm²

Marking

800 01, 500V, Approvals

Unit Weight

4.7g (Holder) / 2.5g (Cap)



Order Information

Packaging

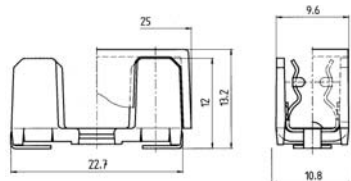
Bulk (100 pcs.)

Order Numbers

Holder No. 800 0000 010
Cap, 6.3x32mm No. 816 0000 000

Note: 1.00 means the number one with two decimal places. 1,000 means the number one thousand.

Holder 658



solder pads

max. dimension for removal of cover

Surface Mount, 5x20mm Fuses

Standard
IEC 60127-6
CSA C22.2-39, UL 512

Approvals
SEV (10A/250V)
VDE ÜG (10A/250V)
SEMKO (10A/250V)
UL (10A/250V)
CSA (10A/250V)



Features

Low profile fuse block with insulation walls
holder also available fitted with a fuse on request

Specifications

Packaging / Order Numbers

Holder 658 (bulk 100 pcs.)	No. 658 0000 100
Holder 658 (tape&reel, 400 pcs.)	No. 658 0000 110
Cover 659	No. 659 0000 000
Cover 660	No. 660 0000 100

Mounting

Surface mounting; suitable for reflow and vapour-phase soldering

Materials

Holder: Black Thermoplastic
UL 94 V-0
Metal Parts: Copper alloy, tin plated

Electrical Data

Rated Voltage: 250V
Rated Current: 10A

Rated power acceptance at ambient air temperature 23°C

without cover: 4W
with reflow-cover: 4W
with transparent cover: 2.5W

Operating Temperature

-40°C to +85°C (consider de-rating)

Climatic Category

GPF according to DIN 40040

Stock Conditions

+10°C to +60°C
relative humidity ≤ 75% yearly average,
without dew, maximum value for 30 days - 95%

Vibration Resistance

Frequency range 10-500 Hz, crossover frequency 60 Hz
< 60 Hz constant amplitude of 0.75mm
> 60 Hz constant acceleration of 10g

Contact Resistance

5mΩ

Dielectric Strength

> 3kV, 50 Hz, 1 min.

Impulse withstand Voltage

Ü1.2/50: > 12 kV between live parts of different potentials

Insulation Resistance

(500 V DC/1 min): >10 MΩ

Solderability

235°C/2s, acc. to IEC 60068-2-58, test Td

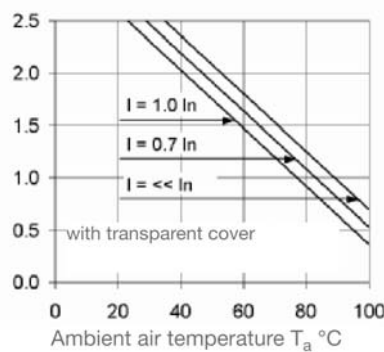
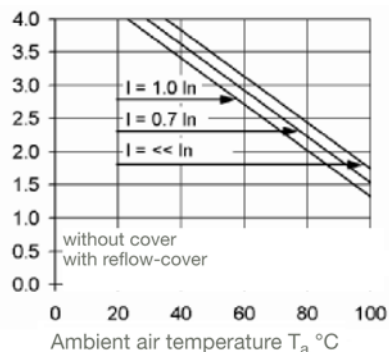
Soldering Heat Resistance

260°C/10s, acc. to IEC60068-2-20 test Tb

Minimum Cross Section

Conducting path - 0.2mm²

Derating curves



Admissible power acceptance in Watt

Cover 660

suitable for IR-soldering process



Cover 659

transparent



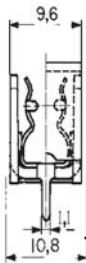
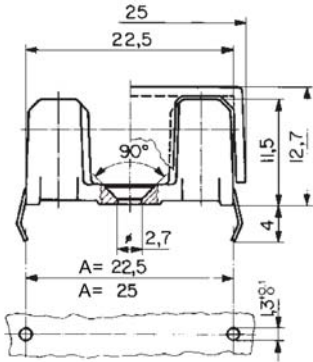
Order Information

Qty.	Order-No.

Note: 1.00 means the number one with two decimal places. 1,000 means the number one thousand.

Specifications are subject to change without notice

Holder 656



max. dimension for removal of cover

PC Mount, 5x20mm Fuses

Standard

IEC 60127-6
CSA C22.2-39, UL 512

Approvals

SEV (10A/250V)
VDE ÜG (10A/250V)
SEMKO (10A/250V)
UL (10A/250V)
CSA (10A/250V)



Features

Low profile fuse block with insulation walls
"Kicked" PCB-terminals, tin plated
Screw or rivet fastening
holder also available fitted with a fuse on request

Specifications

Packaging

Bulk (100 pcs.)

Order Numbers

Holder 656 A = 22.5mm	No. 656 0000 100
Holder 656 A = 25.0mm	No. 656 0000 140
Cover 659	No. 659 0000 000
Cover 660	No. 660 0000 100

Mounting

656: Solder pins 0.4mm x 1.1mm
Ø 2.7mm screw hole may be used optionally

Materials

Holder: Black Thermoplastic
UL 94 V-0
Metal Parts: Copper alloy,
tin plated

Electrical Data

Rated Voltage: 250V
Rated Current: 10A

Rated power acceptance at ambient air temperature 23°C

without cover: 4W
with reflow-cover: 4W
with transparent cover: 2.5W

Operating Temperature

-40°C to +85°C (consider de-rating)

Climatic Category

GPF according to DIN 40040

Stock Conditions

+10°C to +60°C
relative humidity ≤ 75% yearly average,
without dew, maximum value for 30 days - 95%

Vibration Resistance

Frequency range 10-500 Hz, crossover
frequency 60 Hz
< 60 Hz constant amplitude of 0.75mm
> 60 Hz constant acceleration of 10g

Contact Resistance

5mΩ

Dielectric Strength

> 3kV, 50 Hz, 1 min.

Impulse withstand Voltage

Ü1.2/50: > 12 kV between live parts of different potentials

Insulation Resistance

(500 V DC/1 min): >10 MΩ between live parts of different potentials

Solderability

235°C/2s, acc. to IEC 60068-2-20, test Ta, method 1

Soldering Heat Resistance

350°C/5s, acc. to IEC60068-2-20 test Tb, method 1B

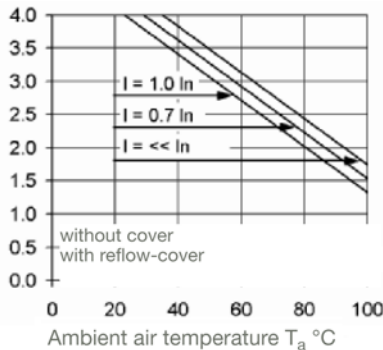
Minimum Cross Section

Conducting path - 0.2mm²

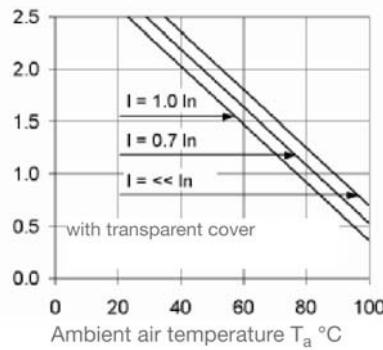
Torque/fixing screw

max. 0.3 Nm

Derating curves



Admissible power acceptance in Watt



Cover 660

suitable for IR-soldering process



Cover 659

transparent



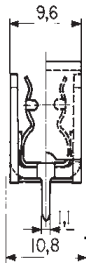
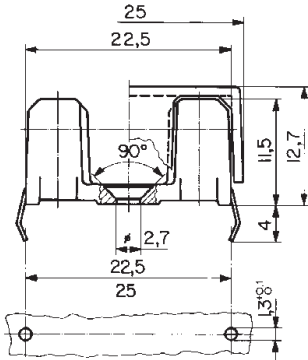
Order Information

Qty.	Order-No.

Note: 1.00 means the number one with two decimal places. 1,000 means the number one thousand.

Specifications are subject to change without notice

Holder 656



max. dimension for removal of cover

PC Mount, 5x20mm Fuses

Standard
IEC 60127-6
CSA C22.2-39, UL 512

Approvals
SEV (10A/250V)
VDE ÜG (10A/250V)
SEMKO (10A/250V)
UL (10A/250V)
CSA (10A/250V)



Features

Low profile fuse block with insulation walls
"Kicked" PCB-terminals, tin plated
Screw or rivet fastening
holder also available fitted with a fuse on request

Specifications

Packaging

Bulk (100 pcs.)

Order Numbers

Holder 656 A = 22.5mm	No. 656 0000 100
Holder 656 A = 25.0mm	No. 656 0000 140
Cover 659	No. 659 0000 000
Cover 660	No. 660 0000 100

Mounting

656: Solder pins 0.4mm x 1.1mm
Ø 2.7mm screw hole may be used optionally

Materials

Holder: Black Thermoplastic
UL 94 V-0
Metal Parts: Copper alloy,
tin plated

Electrical Data

Rated Voltage: 250V
Rated Current: 10A

Rated power acceptance at ambient air temperature 23°C

without cover: 4W
with reflow-cover: 4W
with transparent cover: 2.5W

Operating Temperature

-40°C to +85°C (consider de-rating)

Climatic Category

GPF according to DIN 40040

Stock Conditions

+10°C to +60°C
relative humidity ≤ 75% yearly average,
without dew, maximum value for 30 days - 95%

Vibration Resistance

Frequency range 10-500 Hz, crossover frequency 60 Hz
< 60 Hz constant amplitude of 0.75mm
> 60 Hz constant acceleration of 10g

Contact Resistance

5mΩ

Dielectric Strength

> 3kV, 50 Hz, 1 min.

Impulse withstand Voltage

Ü1.2/50: > 12 kV between live parts of different potentials

Insulation Resistance

(500 V DC/1 min): >10 MΩ between live parts of different potentials

Solderability

235°C/2s, acc. to IEC 60068-2-20, test Ta, method 1

Soldering Heat Resistance

350°C/5s, acc. to IEC60068-2-20 test Tb, method 1B

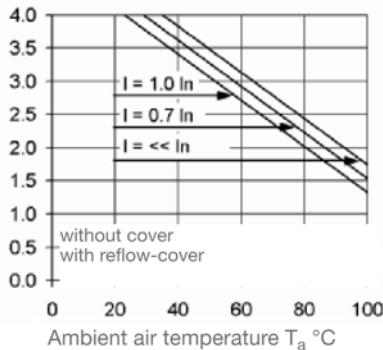
Minimum Cross Section

Conducting path - 0.2mm²

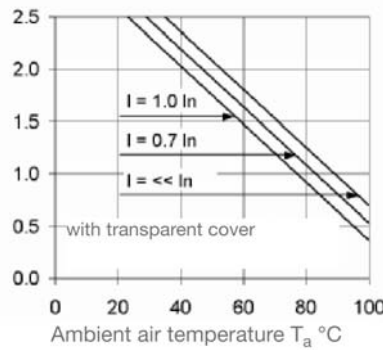
Torque/fixing screw

max. 0.3 Nm

Derating curves



Admissible power acceptance in Watt



Cover 660

suitable for IR-soldering process



Cover 659

transparent



Order Information

Qty.	Order-No.

Note: 1.00 means the number one with two decimal places. 1,000 means the number one thousand.

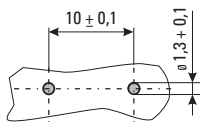
Specifications are subject to change without notice

Holder / No. 652

Not for new designs - refer to No. 852 and 853

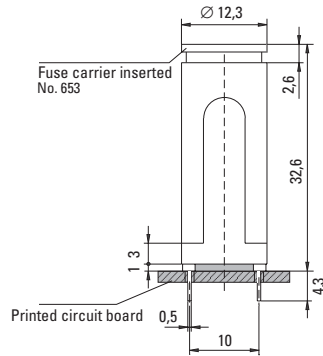


Vertical / 2-Pin



Holes in the printed circuit board: 1,3 + 0,1

PC Mount, Shocksafe 5x20mm Fuses



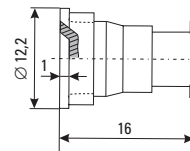
Cap / No. 653



Flush Mount Type

Design 07: without silicon washer (IP 40)

Design 04: with silicon washer (IP 54)
between holder and cap



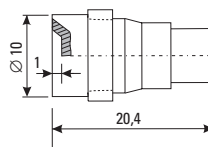
Cap / No. 655



Finger Grip Type

Design 07: without silicon washer (IP 40)

Design 04: with silicon washer (IP 54)
between holder and cap



Specifications

Standard

IEC 60127-6
UL 512
CSA C22.2. No.39

Approvals

VDE: License No. 92599
SEMKO: Certificate Nos. 9533178/9635055
UL Recognized: File No. E 70164
CSA Certified: File No. 47574



Mounting

(2) Solder pins 0.5mm x 1.1mm

Protection Class & Category

IP 40 (with Cap 653 07 & 655 07 acc. to IEC 60529)
IP 54 (with Cap 653 04 & 655 04 acc. to IEC 60529)
PC2 (IEC 60127-6)

Materials

Holder/Cap: Black Thermoplastic
Polyamide PA 6.6, UL94 V-0
Sealing Washer: Silicon (Cap 653 04 & 655 04)
Metal Parts: Copper alloy,
corrosion protected
Terminals: Solderable, tinned

Electrical Data (23°C)

Rated Voltage: 250V
Rated Current: 6.3A (VDE/SEMKO)
16A (UL/CSA)
Rated Power: 2.5W (VDE/SEMKO)

Operating Temperature

-25°C to +70°C (consider de-rating)

Climatic Test

-25°C/+70°C/21 days (IEC 60068-2-1...3)

Stock Conditions

+10°C to +60°C
relative humidity ≤ 75% yearly average,
without dew, maximum value for 30 days - 95%

Vibration Resistance

24 cycles at 15 min. each (IEC 60068-2-6)
10 - 60Hz at 0.75mm amplitude
60 - 2000Hz at 10g acceleration

Contact Resistance

≤ 5mΩ

Dielectric Strength

> 1.5 kV

Impulse Voltage

4 kV, 50 Hz, 1 min., dry

Insulation Resistance

> 10³ MΩ (500 VDC, 1 min.)

Solderability

235°C, 3 sec. (Wave)
350°C, 1 sec. (Soldering Iron)

Soldering Heat Resistance

260°C, 5 sec. (IEC 60068-2-20)

Minimum Cross Section

Conducting path - 0.2mm²

Marking

652, 250V, Approvals

Unit Weight

3.8g (Holder) / 2.0g (653) / 2.4g (655)

Order Information

Packaging

Bulk (100 pcs.)

Order Numbers

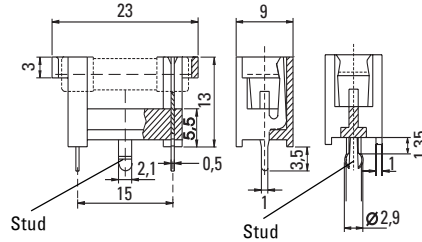
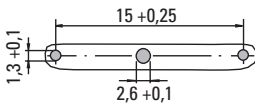
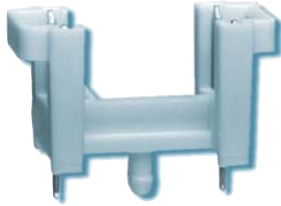
Holder	No. 652 0000 040
Cap, Flush Mount, IP 40	No. 653 0000 070
Cap, Flush Mount, IP 54	No. 653 0000 040
Cap, Finger Grip, IP 40	No. 655 0000 070
Cap, Finger Grip, IP 54	No. 655 0000 040

Specifications are subject
to change without notice

Note: 1.00 means the number one with two decimal places. 1,000 means the number one thousand.

Holder / No. 649

PC Mount, 5x20mm Fuses, leadfree



PCB-Thickness: 1.6mm ± 0.14mm

Specifications

Standard
IEC 60127-6
UL 512

Packaging
100: Bulk (500 pcs.)
103: Bulk (4x3000 pcs.)

Approvals



Mounting
Solder pins 0.5 x 1.0mm and plastic stud

Materials
Holder: White Thermoplastic, UL94 V-0
Polybutylenterephthalat PBTP
Metal parts: Copper alloy
Solderable, tinned

Protection Class & Category
PC1 (IEC 60127-6)

Electrical Data (23°C)
Rated Voltage: 250V
Max. Current/Power: 6.3A/1.6W

Minimum Cross Section
Conducting path - 0.2mm²

Operating Temperature
-25°C to +70°C (consider de-rating)

Stock Conditions
+10°C to +60°C
relative humidity ≤ 75% yearly average,
without dew, maximum value for 30 days - 95%

Contact Resistance
≤ 5mΩ

Isolation Resistance
10¹²MΩ

Solderability
235°C, 2 sec. (soldering bath; IEC 60068-2-20)

Soldering Heat Resistance
260°C, 10 sec. (soldering bath; IEC 60068-2-20)

Marking
Approvals

Unit Weight
1.2g

Order Info

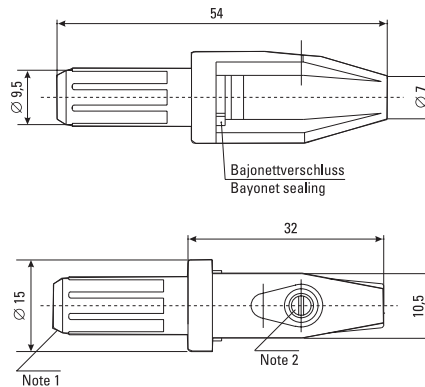
Qty.	Order-Number	Series	Packaging
		649	0000 100/103

Specifications are subject to change without notice

Holder / No. 271.1101

formerly 510

In-Line Type, 5x20mm Fuses leadfree



Packaging
000: Bulk (100 pcs.)

Mounting
In-line, for use with customer-provided cables

Terminals
Crimp-type with ferrule (Note 1)
Screw-type (Note 2)

Materials
Holder: Black Thermoplastic
Metal Parts: Copper alloy, corrosion-protected

Electrical Data (23°C)
Rated Voltage: 250V
Maximum Current: 6.3A

Minimum Cross Section
Conductor - 2.5mm²

Unit Weight
6.0g

Order Info

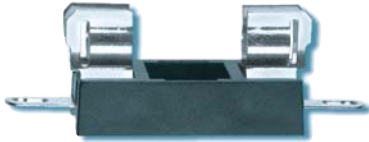
Qty.	Order-Number	Series	Packaging
		271	1101 000

Note: 1.00 means the number one with two decimal places. 1,000 means the number one thousand.

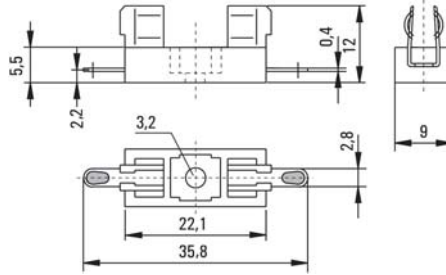
Specifications are subject to change without notice

MINIATURE FUSEHOLDERS

Holder / No. 647



Cable Type, 5x20mm Fuses lead free



Specifications

Packaging

Bulk (1000 pcs.)

Mounting

Ø3mm screw hole

Terminals

Solderable or 2.8mm quick connect - fits 0.5mm tabs

Materials

Holder: Black Thermoplastic, UL94 V-0
Polyamide PA 6.6
Metal Parts: Copper alloy,
solderable, tinned

Electrical Data (23°C)

Rated Voltage: 250V
Max. current/power: 6.3A/2.5W
6.3A/1.6W (with No. 640)

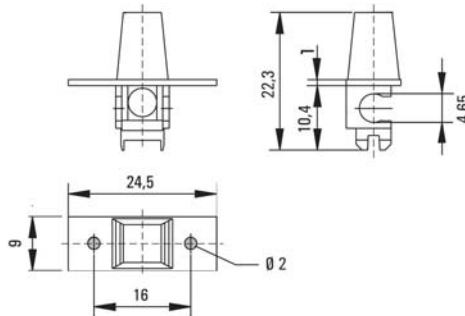
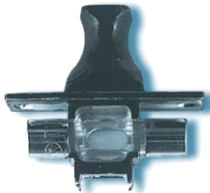
Minimum Cross Section

Conducting path - 2.5mm²

Unit Weight

1.7g

Adapter / No. 640



Mounting

Hand adapter can be optionally used with
Holder No. 646 and 647

Materials

Adapter: Polyester PBT,
UL94 V-0

Unit Weight

1.0g

Packaging

Bulk (5000 pcs.)

Colours

Adapter black	100
Adapter brown	140
Adapter white	150
Adapter yellow	160
Adapter green	170
Adapter blue	190

Contact WICKMANN for an auto-insertable fuse, holder and adapter assembly.

Contact WICKMANN for an auto-insertable fuse, holder and adapter assembly.

Order Information

Qty.	Order Number	Series		Colour
		647	0000	

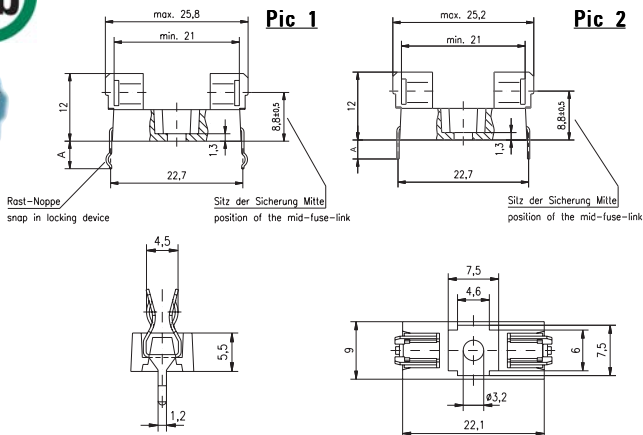
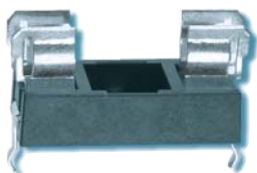
Specifications are subject to change without notice

Note: 1.00 means the number one with two decimal places. 1,000 means the number one thousand.

Holder / No. 646

PC Mount, for 5x20mm Fuses, lead free

Specifications



Mounting

Solder pins 0.5mm x 1.2mm
 Ø 3mm screw hole may be used optionally

Materials

Holder: Black Thermoplastic, UL94 V-0
 Polyamide PA 6.6
 Metal Parts: Copper alloy, solderable, tinned

Electrical Data (23°C)

Rated Voltage: 250V
 Max. current/power: 6.3A/2.5W
 5A/1W (with No. 648)
 6.3A/1.6W (with No. 640)

Minimum Cross Section

Conducting path - 0.2mm²

Unit Weight

1.6g

Packaging

Bulk (1000 pcs.)

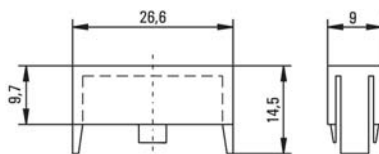
Order Information

Qty.	Order Number	Series		Type
		646	0000	

Type	Pic	Meas. "A"	for PCB-Thickness
100	1	5mm	3mm
122	1	3.2mm	1.5mm
123	2	3.3mm	1.5mm

Cover / No. 648

Optional Cover



Materials

Cover: Transparent Thermoplastic, UL94 V-0, Polycarbonate PC

Unit Weight

1.0g

Packaging

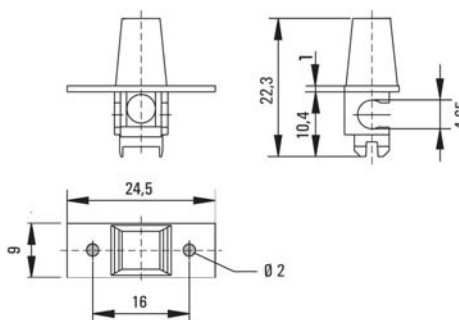
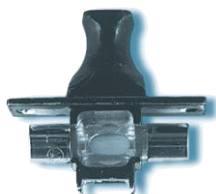
Bulk (2000 pcs.)

Order Information

Qty.	Order Number	Series		Type
		648	0000	100

Adapter / No. 640

Optional Adapter



Mounting

Hand adapter can be optionally used with Holder No. 646 and 647

Materials

Adapter: Polyester PBT, UL94 V-0

Unit Weight

1.0g

Packaging

Bulk (5000 pcs.)

Colours

Adapter black	100
Adapter brown	140
Adapter white	150
Adapter yellow	160
Adapter green	170
Adapter blue	190

Order Information

Qty.	Order Number	Series		Colour
		640	0000	

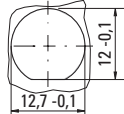
Contact Littelfuse for an auto-insertable fuse, holder and adapter assembly.

Specifications are subject to change without notice

Note: 1.00 means the number one with two decimal places. 1,000 means the number one thousand.

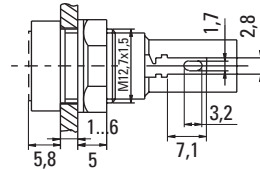
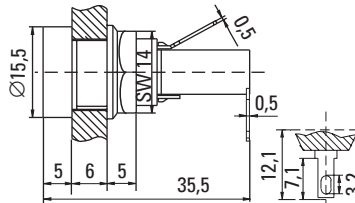
Holder / No. 601

Not for new designs - refer to No. 850 and 851

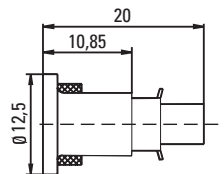


Panel opening

Panel Mount, Shocksafe 5x20mm Fuses



Cap / No. 602

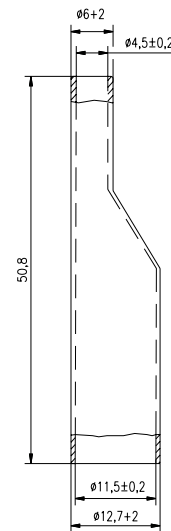


Design 00: without silicon washer (IP 40)

Design 04: with silicon washer (IP 54)
(from front side only)

Insulating cover for terminals/ No. 522

RoHS



Specifications

Standard

IEC 60127-6
UL 512
CSA C22.2. No.39

Approvals

SEMKO: Certificate No. 9946019
UL Recognized: File No. E 70164
CSA Certified: File No. 47574
VDE Licence No. 132224



Mounting

12.7mm diameter D-hole
Admissible torque on plastic hex nut is 1.2Nm

Terminals

Solderable or 2.8mm quick connect-fits 0.5mm tab

Protection Class & Category

IP 40 (with Cap 602 00 acc. to IEC 60529)
IP 54 (with Cap 602 04 acc. to IEC 60529)
PC2 (IEC 60127-6)

Materials

Holder: Black Duroplast
Phenoplast PF, UL94 V-0
Cap: Black Thermoplastic
Polyamide PA6.6, UL94 V-0
Sealing Washer: Novapress Multi (Cap 602 04)
Metal Parts: Copper alloy,
corrosion protected
Terminals: Solderable, tinned
Insulating cover: Polyvinyl chloride (Soft PVC),
black

Electrical Data (23°C)

Rated Voltage: 250V
Rated Current: 6.3A (SEMKO/VDE)
16A (UL/CSA)
Rated Power : 4W (SEMKO/VDE)

Operating Temperature

-25°C to +70°C (consider de-rating)

Climatic Test

-25°C/+70°C/21 days (IEC 60068-2-1...3)

Stock Conditions

+10°C to +60°C
relative humidity ≤ 75% yearly average,
without dew, maximum value for 30 days - 95%

Vibration Resistance

24 cycles at 15 min. each (IEC 60068-2-6)
10 - 60Hz at 0.75mm amplitude
60 - 2000Hz at 10g acceleration

Dielectric Strength

> 1.5 kV

Impulse Voltage

4 kV, 50 Hz, 1 min., dry

Insulation Resistance

> 10³ MΩ (500 VDC, 1 min.)

Solderability

235°C, 3 sec. (Wave)
350°C, 1 sec. (Soldering Iron)

Soldering Heat Resistance

260°C, 5 sec. (IEC 60068-2-20)

Minimum Cross Section

Conductor - 2.5mm²

Marking

601, 250V, Approvals

Unit Weight

4.0g (Holder) / 1.9g (Cap) / 2.9g (Insulating sleeve)

Order Information

Packaging

Bulk (100 pcs.)

Order Numbers

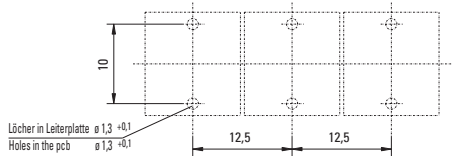
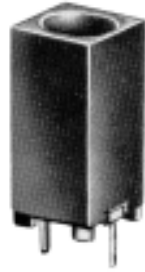
Holder	No. 601 0000 000
Cap, without washer, IP 40	No. 602 0000 000
Cap, with washer, IP 64	No. 602 0000 040

Specifications are subject to change without notice

Note: 1.00 means the number one with two decimal places. 1,000 means the number one thousand.

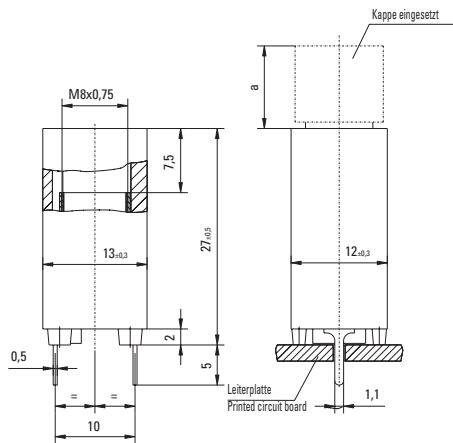
Holder / No. 598

Not for new designs;
please refer to holder no. 831/834



Holes in the Printed Circuit Board

PC Mount, for 5x20mm and 5x25mm Fuses



Specifications

Montage

(2) Solder pins 0.5 x 1.1mm

Protection Class & Category
IP 40 (IEC 60529)

Materials

Holder: Duroplastic (Phenolplast PF), black
Cap: Thermoplastic (Polyamide PA 6.6), UL 94 V-0, black
Metal Parts: Copper alloy, corrosion protected
Terminals: solderable tinned

Electrical Data (23 °C)

Rated Voltage: 250 V
max. Current/Power: 6.3 A / 2.5 W

Operating Temperature

-25 °C to 70 °C (consider de-rating)

Stock Conditions

10 °C to 60 °C

Contact Resistance

$\leq 5 \text{ m}\Omega$

Dielectric Strength

3 kV, 50Hz, 1 min., dry

Insulation Resistance

$> 10^3 \text{ M}\Omega$ (500 V DC, 1 min.)

Solderability

235 °C, 3 sec. (Wave)
350 °C, 1 sec. (Soldering Iron)

Soldering Heat Resistance

260 °C, 5 sec.

Minimum Cross Section

Conduction Path - 0.2 mm^2

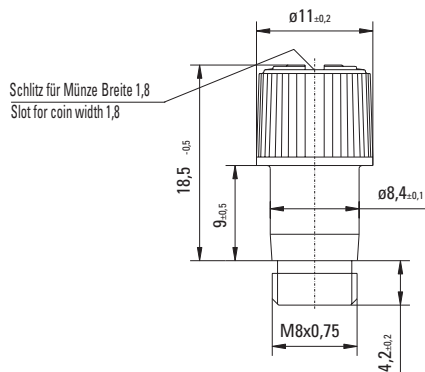
Marking

598, 250 V

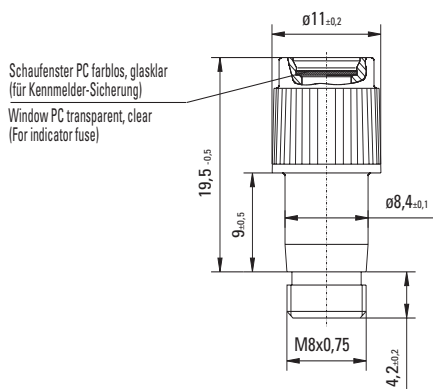
Unit weight

4,9 g (598) / 3,6 g (585) / 3,4 g (586)

Cap / No. 585 for fuses 5 x 20 mm



Cap / No. 586 for fuses 5 x 25 mm



Order Information

Packaging

Bulk (100 St.)

Order Numbers

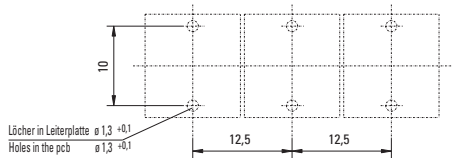
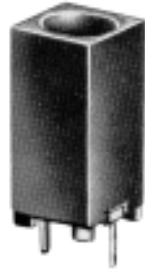
Holder No. 598 0000 000
Cap, 5 x 20 mm No. 585 0000 000
Cap, 5 x 25 mm No. 586 0000 000

Note: 1.00 means the number one with two decimal places. 1,000 means the number one thousand.



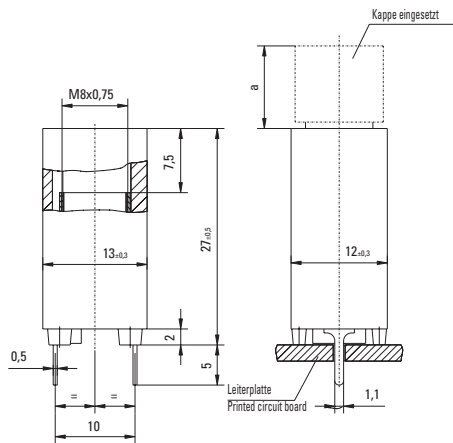
Holder / No. 598

Not for new designs;
please refer to holder no. 831/834



Holes in the Printed Circuit Board

PC Mount, for 5x20mm and 5x25mm Fuses



Specifications

Montage

(2) Solder pins 0.5 x 1.1mm

Protection Class & Category
IP 40 (IEC 60529)

Materials

Holder: Duroplastic (Phenolplast PF), black
Cap: Thermoplastic (Polyamide PA 6.6), UL 94 V-0, black
Metal Parts: Copper alloy, corrosion protected
Terminals: solderable tinned

Electrical Data (23 °C)

Rated Voltage: 250 V
Rated Current: 6.3 A

Operating Temperature

-25 °C to 70 °C (consider de-rating)

Stock Conditions

10 °C to 60 °C

Contact Resistance

≤ 5 mΩ

Dielectric Strength

3 kV, 50Hz, 1 min., dry

Insulation Resistance

> 10³ MΩ (500 V DC, 1 min.)

Solderability

235 °C, 3 sec. (Wave)
350 °C, 1 sec. (Soldering Iron)

Soldering Heat Resistance

260 °C, 5 sec.

Minimum Cross Section

Conduction Path - 0.2mm²

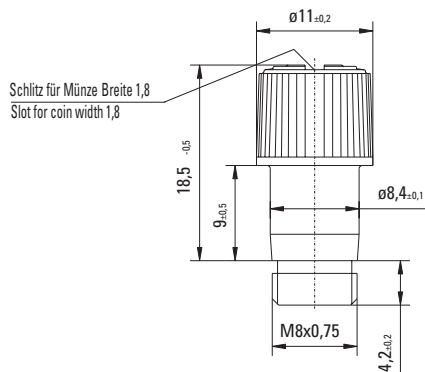
Marking

598, 250 V

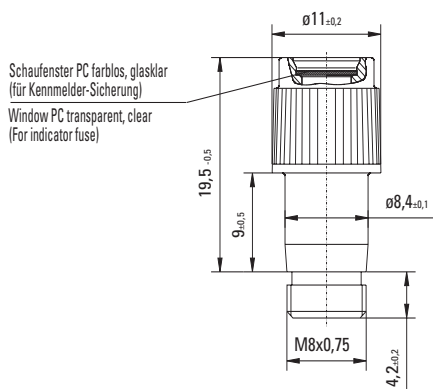
Unit weight

4,9 g (598) / 3,6 g (585) / 3,4 g (586)

Cap / No. 585 for fuses 5 x 20 mm



Cap / No. 586 for fuses 5 x 25 mm



Order Information

Packaging

Bulk (100 St.)

Order Numbers

Holder No. 598 0000 000
Cap, 5 x 20 mm No. 585 0000 000
Cap, 5 x 25 mm No. 586 0000 000

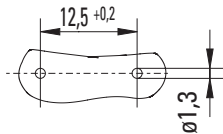
Note: 1.00 means the number one with two decimal places. 1,000 means the number one thousand.



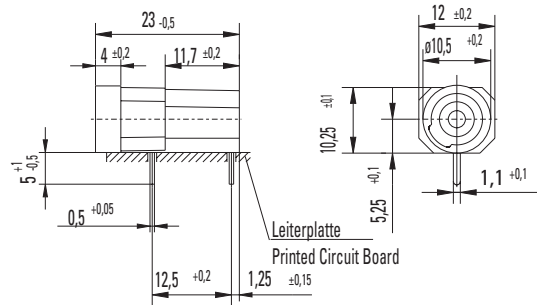
Holder / No. 596

Not for new designs;
please refer to holder no. 830

PC Mount, for 5x20mm Fuses



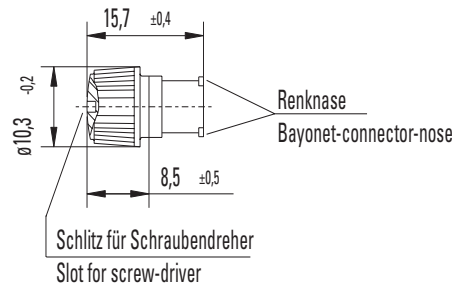
Holes in the Printed Circuit Board



Cap / No. 583



Flush Mount Type



Specifications

Montage

(2) Solder pins 0.5 x 1.1mm

Protection Class & Category

IP 40 (IEC 60529)

Materials

Holder: Duroplastic (Phenolplast PF), black
Thermoplastic (Polyamide PA 6.6), UL 94 V-0, black
Cap: Thermoplastic (Polyamide PA 6.6), UL 94 V-0, black
Metal Parts: Copper alloy, corrosion protected solderable tinned
Terminals:

Electrical Data (23 °C)

Rated Voltage: 250 V
max. Current/Power: 6.3 A / 2.0 W

Operating Temperature

-25 °C to 70 °C (consider de-rating)

Stock Conditions

10 °C to 60 °C

Contact Resistance

≤ 5 mΩ

Dielectric Strength

3 kV, 50Hz, 1 min., dry

Insulation Resistance

> 10 MΩ (500 V DC, 1 min.)

Solderability

235 °C, 3 sec. (Wave)
350 °C, 1 sec. (Soldering Iron)

Soldering Heat Resistance

260 °C, 5 sec.

Minimum Cross Section

Conduction Path - 0.2mm²

Marking

596, 250 V

Unit weight

2,2 g (596) / 1,7 g (583)

Order Information

Packaging

Bulk (100 St.)

Order Numbers

Holder No. 596 0000 000
Cap No. 583 0000 000

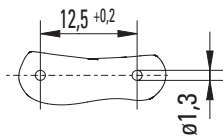


Note: 1.00 means the number one with two decimal places. 1,000 means the number one thousand.

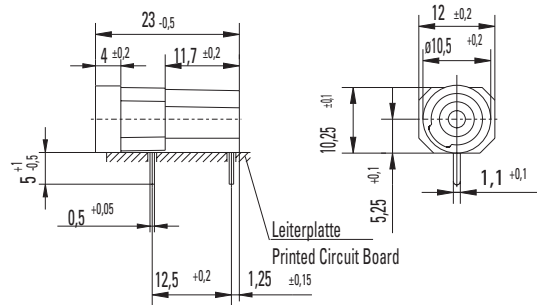
Holder / No. 596

Not for new designs;
please refer to holder no. 830

PC Mount, for 5x20mm Fuses



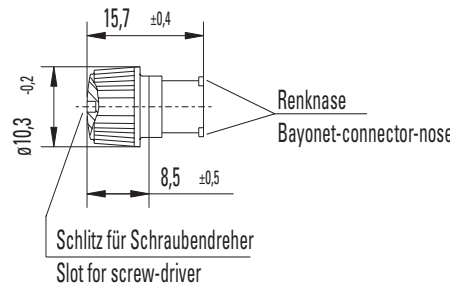
Holes in the Printed Circuit Board



Cap / No. 583



Flush Mount Type



Specifications

Montage

(2) Solder pins 0.5 x 1.1mm

Protection Class & Category

IP 40 (IEC 60529)

Materials

Holder: Duroplastic (Phenoplast PF), black
 Cap: Thermoplastic (Polyamide PA 6.6), UL 94 V-0, black
 Metal Parts: Copper alloy, corrosion protected solderable tinned
 Terminals:

Electrical Data (23 °C)

Rated Voltage: 250 V

Rated Current: 6.3 A

Operating Temperature

-25 °C to 70 °C (consider de-rating)

Stock Conditions

10 °C to 60 °C

Contact Resistance

≤ 5 mΩ

Dielectric Strength

3 kV, 50Hz, 1 min., dry

Insulation Resistance

> 10 MΩ (500 V DC, 1 min.)

Solderability

235 °C, 3 sec. (Wave)

350 °C, 1 sec. (Soldering Iron)

Soldering Heat Resistance

260 °C, 5 sec.

Minimum Cross Section

Conduction Path - 0.2mm²

Marking

596, 250 V

Unit weight

2,2 g (596) / 1,7 g (583)

Order Information

Packaging

Bulk (100 St.)

Order Numbers

Holder No. 596 0000 000

Cap No. 583 0000 000

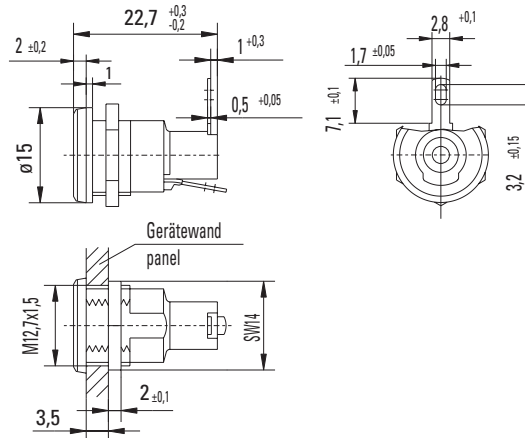
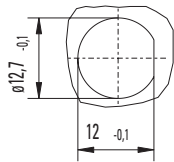


Note: 1.00 means the number one with two decimal places. 1,000 means the number one thousand.

Holder / No. 595

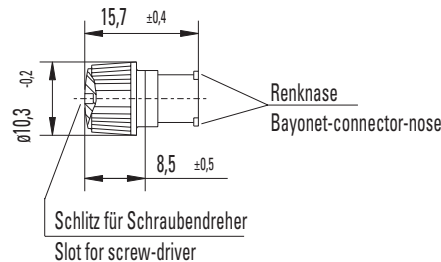
not for new developments;
please refer to holder no. 850

Panel Mount, for 5x20 mm Fuses



Holes in the Printed Circuit Board

Cap / No. 583



Specifications

Montage

12.7mm diameter D-hole
Admissible torque on plastic hex nut is 1.2Nm

Terminals

Solderable or 2.8mm quick connect-fits 0.5mm tab

Protection Class & Category

IP 40 (IEC 60529)

Materials

Holder: Duroplastic (Phenolplast PF), black
Cap: Thermoplastic (Polyamide PA 6.6), UL 94 V-0, black
Metal Parts: Copper alloy, corrosion protected solderable tinned
Terminals: corrosion protected solderable tinned

Electrical Data (23 °C)

Rated Voltage: 250 V
max. Current/Power: 6.3 A / 2.5 W

Operating Temperature

-25 °C to 70 °C (consider de-rating)

Stock Conditions

10 °C to 70 °C

Contact Resistance

≤ 5 mΩ

Dielectric Strength

3 kV, dry

Insulation Resistance

> 10³ MΩ (500 V DC, 1 min.)

Solderability

235 °C, 3 sec. (Wave)
350 °C, 1 sec. (Soldering Iron)

Soldering Heat Resistance

260 °C, 5 sec. (IEC 60068.2-20)

Marking

595, 250 V

Unit weight

3,4 g (595) / 1,7 g (583)

Order Information

Packaging

Bulk (100 St.)

Order Numbers

Holder No. 595 0000 000
Cap No. 583 0000 000

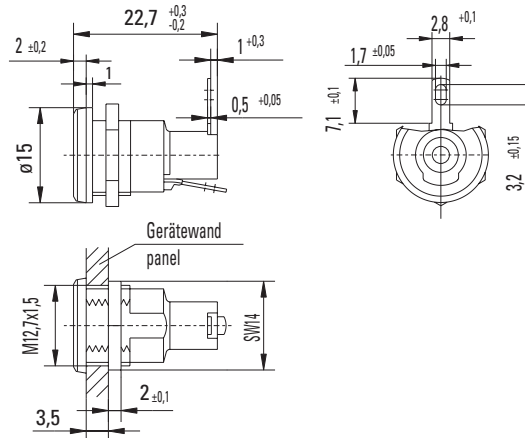
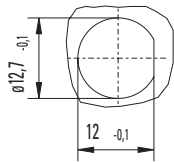


Note: 1.00 means the number one with two decimal places. 1,000 means the number one thousand.

Holder / No. 595

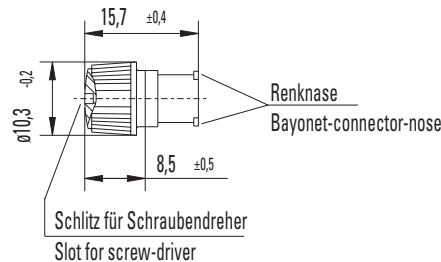
not for new developments;
please refer to holder no. 850

Panel Mount, for 5x20 mm Fuses



Holes in the Printed Circuit Board

Cap / No. 583



Specifications

Montage

12.7mm diameter D-hole
Admissible torque on plastic hex nut is 1.2Nm

Terminals

Solderable or 2.8mm quick connect-fits 0.5mm tab

Protection Class & Category

IP 40 (IEC 60529)

Materials

Holder: Duroplastic (Phenolplast PF), black
Thermoplastic (Polyamide PA 6.6), UL 94 V-0, black
Cap: Thermoplastic (Polyamide PA 6.6), UL 94 V-0, black
Metal Parts: Copper alloy, corrosion protected solderable tinned
Terminals: corrosion protected solderable tinned

Electrical Data (23 °C)

Rated Voltage: 250 V
Rated Current: 6.3 A

Operating Temperature

-25 °C to 70 °C (consider de-rating)

Stock Conditions

10 °C to 70 °C

Contact Resistance

≤ 5 mΩ

Dielectric Strength

3 kV, dry

Insulation Resistance

> 10³ MΩ (500 V DC, 1 min.)

Solderability

235 °C, 3 sec. (Wave)
350 °C, 1 sec. (Soldering Iron)

Soldering Heat Resistance

260 °C, 5 sec. (IEC 60068.2-20)

Marking

595, 250 V

Unit weight

3,4 g (595) / 1,7 g (583)

Order Information

Packaging

Bulk (100 St.)

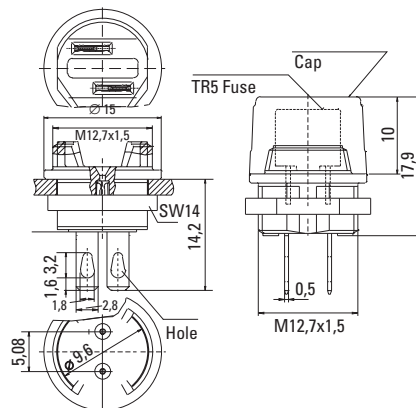
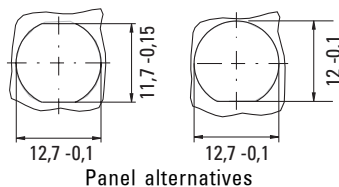
Order Numbers

Holder No. 595 0000 000
Cap No. 583 0000 000



Note: 1.00 means the number one with two decimal places. 1,000 means the number one thousand.

Holder / No. 570 Panel Mount, for TR5®/TE5® Fuses



with cap 575 IP40
(only on front side)



Specifications

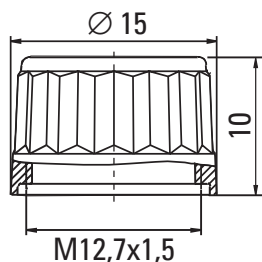
- Packaging**
000 bulk (100 pcs.)
- Order Number**
Holder No. 570 0000 000
- Mounting**
12.7mm diameter D-hole or double D-hole
Admissible torque on plastic hex nut is 1.2Nm
- Terminals**
Solderable or 2.8mm quick connect-fits 0.5mm tab
- Materials**
Holder: Black Thermoplastic, UL 94 V-0
Polyamide PA 6.6
Metal parts: Copper alloy
Solderable tinned
- Electrical Data (23°C/without Cap)**
Rated Voltage: 250V
Max. Current/Power: 6.3A/2.5W
- Minimum Cross Section**
Conductor - 2.5mm²
- Unit Weight**
2.2g

Order Information

Qty.	Order-Number	Series	Packaging
		570	0000 000

Specifications are subject to change without notice

Cap / No. 575



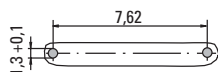
- Packaging**
000 bulk (100 pcs.)
- Order Number**
Cap No. 575 0000 000
- Plastic Cap**
Use with No. 570 or No. 571
- Materials**
Cap: Transparent Thermoplastic
Polycarbonat PC, UL94 V-0
- Unit Weight**
0.94g

Order Information

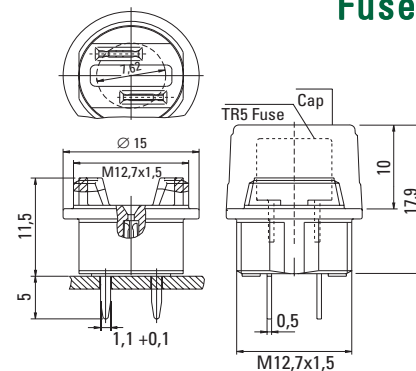
Qty.	Order-Number	Series	Packaging
		575	0000 000

Specifications are subject to change without notice

Holder / No. 571 PC Mount, for TR5®/TE5® Fuses



Holes in PCB



- Packaging**
000 bulk (100 pcs.)
- Order Number**
Holder No. 571 0000 000
- Mounting**
PC Board, 7.62mm hole spacing
- Materials**
Holder: Black Thermoplastic, UL94 V-0
Polyamide PA 6.6
Metal parts: Copper alloy
Solderable, tinned
- Electrical Data (23°C/without Cap)**
Rated Voltage: 250V
Max. Current/Power: 6.3A/2.5W
- Minimum Cross Section**
Conducting path - 0.2mm²
- Unit Weight**
1.6g

Order Information

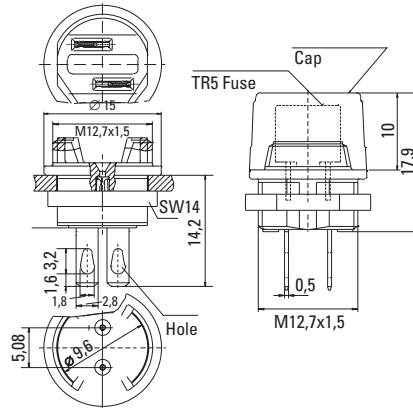
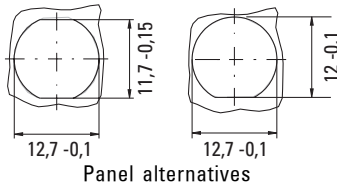
Qty.	Order-Number	Series	Packaging
		571	0000 000

Specifications are subject to change without notice

Note: 1.00 means the number one with two decimal places. 1,000 means the number one thousand.

Holder / No. 570

Panel Mount, for TR5® Fuses



with cap 575 IP40
(only on front side)



Specifications

Packaging
000 bulk (100 pcs.)

Order Number
Holder No. 570 0000 000

Mounting
12.7mm diameter D-hole or double D-hole
Admissible torque on plastic hex nut is 1.2Nm

Terminals
Solderable or 2.8mm quick connect-fits 0.5mm tab

Materials
Holder: Black Thermoplastic, UL 94 V-0
Polyamide PA 6.6
Metal parts: Copper alloy
Solderable tinned

Electrical Data (23°C/without Cap)
Rated Voltage: 250V
Max. Current/Power: 6.3A/2.5W

Minimum Cross Section
Conductor - 2.5mm²

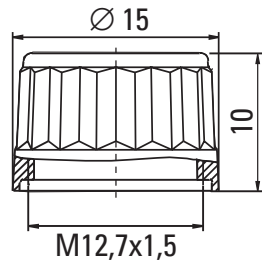
Unit Weight
2.2g

Specifications are subject to change without notice

Order Information

Qty.	Order-Number	Series	Packaging
		570	0000 000

Cap / No. 575



Packaging
000 bulk (100 pcs.)

Order Number
Cap No. 575 0000 000

Plastic Cap
Use with No. 570 or No. 571

Materials
Cap: Transparent Thermoplastic
Polycarbonat PC, UL94 V-0

Unit Weight
0.94g

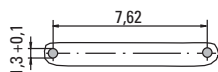
Specifications are subject to change without notice

Order Information

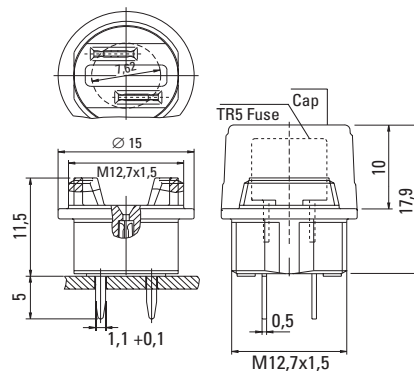
Qty.	Order-Number	Series	Packaging
		575	0000 000

Holder / No. 571

PC Mount, for TR5® Fuses



Holes in PCB



Packaging
000 bulk (100 pcs.)

Order Number
Holder No. 571 0000 000

Mounting
PC Board, 7.62mm hole spacing

Materials
Holder: Black Thermoplastic, UL94 V-0
Polyamide PA 6.6
Metal parts: Copper alloy
Solderable, tinned

Electrical Data (23°C/without Cap)
Rated Voltage: 250V
Max. Current/Power: 6.3A/2.5W

Minimum Cross Section
Conducting path - 0.2mm²

Unit Weight
1.6g

Specifications are subject to change without notice

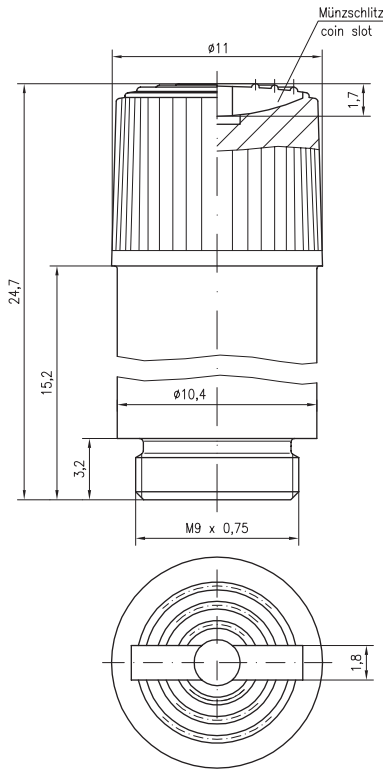
Order Information

Qty.	Order-Number	Series	Packaging
		571	0000 000

Note: 1.00 means the number one with two decimal places. 1,000 means the number one thousand.

Cap / No. 568

for 6.3 x 32 mm Fuses



Specifications

Mounting

Screw thread in bus bar

Protection Class & Category

IP 40 (IEC 60529)

Materials

Cap: Thermoplastic (Polyamide PA 6.6), UL 94 V-0, black
 Metal Parts: Copper alloy, corrosion protected, nickel-plated

Electrical Data (23 °C)

Rated Voltage: 250 V
 Rated Current: 6.3 A

Operating Temperature

-25 °C to 70 °C (consider de-rating)

Stock Conditions

10 °C to 60 °C

Contact Resistance

≤ 5 mΩ

Unit weight

4,3 g (568) / 3,8 g (569)

Order Information

Packaging

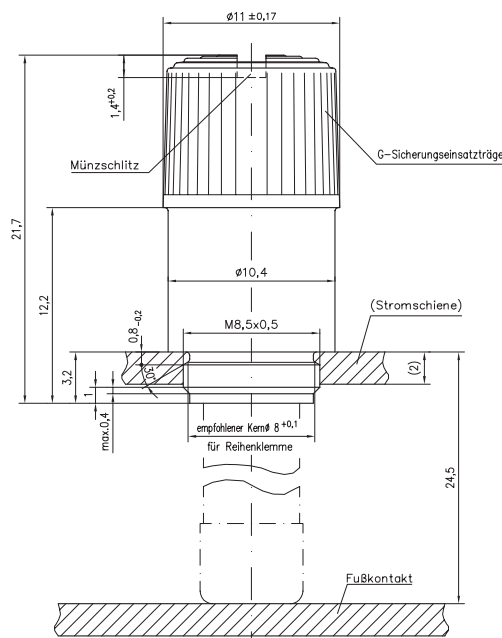
Bulk (1,000 pcs.)

Order Numbers

Cap, 6.3 x 32 mm No. 568 0000 001
 Cap, 6.3 x 32 mm No. 569 0000 001

Cap / No. 569

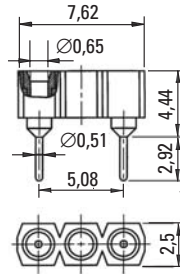
for 6.3 x 32 mm Fuses



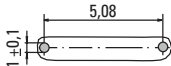
Specifications are subject to change without notice

Note: 1.00 means the number one with two decimal places. 1,000 means the number one thousand.

Holder / No. 562 PC Mount, for TR5®/TE5® Fuses



Holes in PCB



Specifications

- Packaging**
100 bulk (1000 pcs.)
- Mounting**
PC Board, 5.08mm pin spacing
- Materials**
Holder: Black Thermoplastic, UL94 V-0
 Nylon 46
Terminals: Copper alloy; solderable
 tinned
- Electrical Data (23°C)**
Rated Voltage: 250V
Max. Current/Power: 6.3A/1.6W
- Minimum Cross Section**
Conducting path - 0.1mm²
- Unit Weight**
0.12g

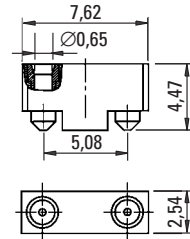


Order Information

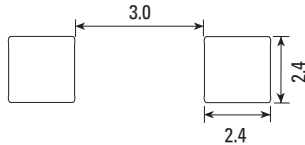
Qty.	Order-Number	Series	Packaging
		562	0000
			100

Specifications are subject to change without notice

Holder / No. 564 Surface Mount, for TR5®/TE5® Fuses



recommended Pad Layout (mm)



- Packaging**
100 Tape/Reel (1500 pcs.)
 Carrier tape width 16 mm
 Reel diameter 33 cm
- Order Number**
Holder No. 564 0000 100
- Mounting**
PC Board, 5.08mm pad spacing
- Materials**
Holder: Black Thermoplastic, UL94 V-0
 Nylon 46
Terminals: Copper alloy; solderable
 tinned
- Electrical Data (23°C)**
Rated Voltage: 250V
Max. Current/Power: 6.3A/1.6W
- Minimum Cross Section**
Conducting path - 0.1mm²
- Unit Weight**
0.44g



Order Information

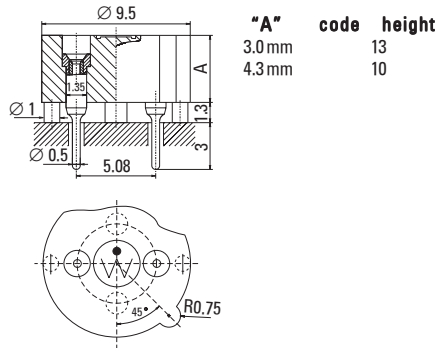
Qty.	Order-Number	Series	Packaging
		564	0000
			100

Specifications are subject to change without notice

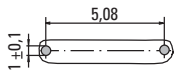
Note: 1.00 means the number one with two decimal places. 1,000 means the number one thousand.

Holder / No. 560

PC Mount, for TR5®/TE5® Fuses



Holes in PCB



Specifications

Packaging
 1 bulk (1000 pcs.)
 0 bulk (500 pcs.)

Order Number
 Holder No. 560 0000 13 1
 Holder No. 560 0000 10 0
 Holder No. 560 0000 10 1

Mounting
 PC Board, 5.08 mm pin spacing

Materials
 Holder: Thermoplastic, UL 94 V-0
 Polyester PCT
 Metal parts: Copper alloy; solderable tinned

Electrical Data (23 °C)
 Rated Voltage: 250 V
 Max. Current/Power: 6.3 A/1.6 W

Solderability
 max. 280 °C, 10 s (Wave)

Minimum Cross Section
 Conducting path - 0.1 mm²

Unit Weight
 0,4 g



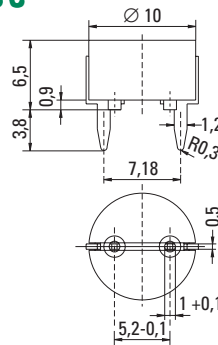
Order Information

Qty.	Order-Number	Series	code	height	Packaging
		560	0000		

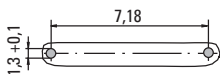
Specifications are subject to change without notice

Holder / No. 559

PC Mount, for TR5®/TE5® Fuses leadfree



Holes in PCB



Packaging
 000 bulk (1000 pcs.)

Mounting
 PC Board, 7.18 mm pin spacing

Materials
 Holder: Black Thermoplastic, UL94 V-0
 Polyamide PA 6.6
 Metal parts: Copper alloy; solderable tinned

Electrical Data (23 °C)
 Rated Voltage: 250 V
 Max. Current/Power: 6.3 A/1.6 W

Solderability
 max. 260 °C, 10 s (Wave)

Minimum Cross Section
 Conducting path - 0.1 mm²

Unit Weight
 0.63 g



Order Information

Qty.	Order-Number	Series	code	Packaging
		559	0000	000

Specifications are subject to change without notice

Note: 1.00 means the number one with two decimal places. 1,000 means the number one thousand.

No. 523 / PIPclip lead free



Specifications

Packaging

S00 blister tape (1x800 pcs.)
reel diameter 380 mm
tape width 16 mm

Mounting

PC Board, 5,2 mm pin spacing
Solder pins 0.4 x 1.2 mm

Materials

copper alloy, solderable tinned

Electrical Data (23 °C)

Rated Voltage: 250 V
Max. Current/Power: 6.3 A/2.5 W

Minimum Cross Section

Conducting path - 0.2 mm²

Solderability

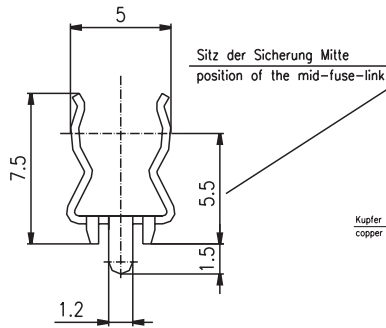
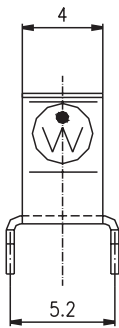
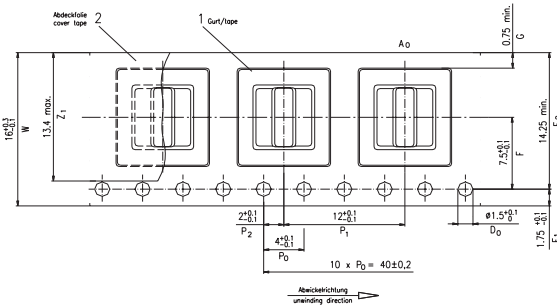
235 °C, 2 s (IEC 60068-2-20)

Soldering Heat Resistance

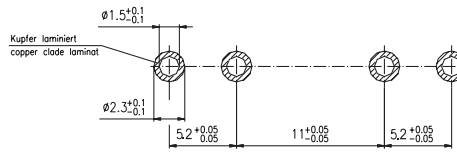
260 °C, 10 s (IEC 60068-2-20)

Unit Weight

0.4 g



Example for PC Board



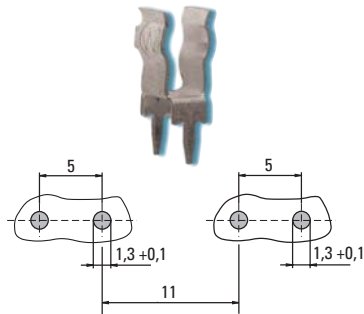
Order-Information

Qty.	Order-Number	Series	Packaging
		523	0000
			S00

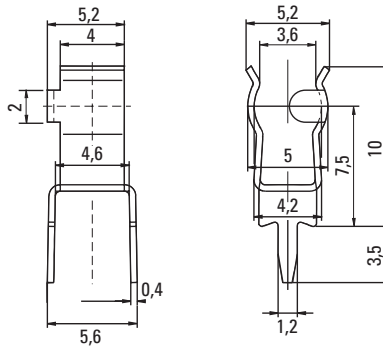
Specifications are subject to change without notice

Note: 1.00 means the number one with two decimal places. 1,000 means the number one thousand.

Clip / No. 520 lead free



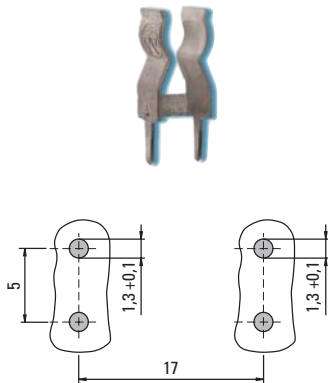
PC Mount, 5x20mm Fuses



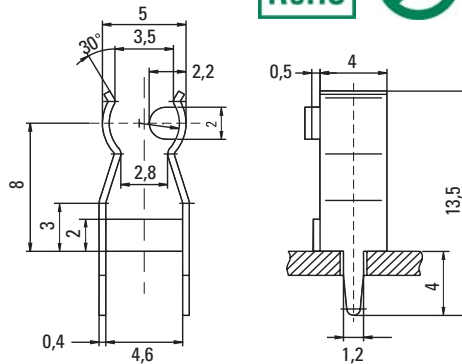
Specifications

- Mounting**
PC Board, 5mm pin spacing
Solder pins 0.4 x 1.2mm
- Materials**
Clip: Copper alloy
Solderable, tinned
- Electrical Data (23°C)**
Rated Voltage: 250V
Max. Current/Power: 6.3A/2.5W
- Minimum Cross Section**
Conducting path - 0.2mm²
- Solderability**
235°C, 2 sec. (IEC 60068-2-20)
- Soldering Heat Resistance**
260°C, 10 sec. (IEC 60068-2-20)
- Unit Weight**
0.4g
- Packaging**
Bulk (5000 pcs.)
- Order Number**
Clip No. 520 0000 100

Clip / No. 521 lead free

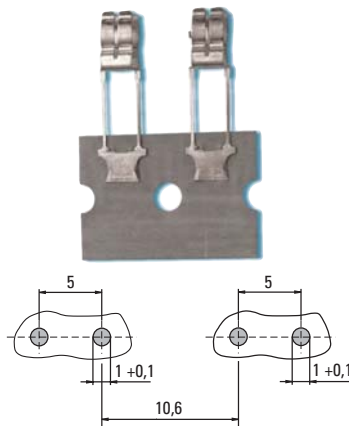


PC Mount, 5x20mm Fuses 90° Pin Shift

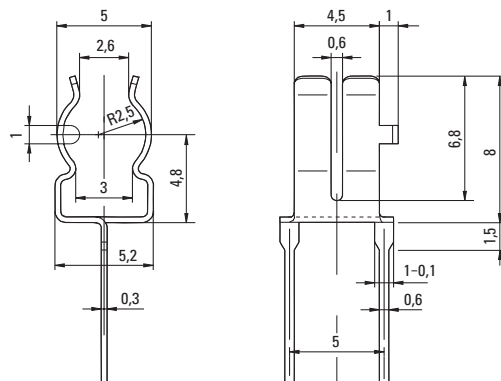


- Mounting**
PC Board, 5mm pin spacing
Solder pins 0.4 x 1.2mm
- Materials**
Clip: Copper alloy
Solderable, tinned
- Electrical Data (23°C)**
Rated Voltage: 250V
Max. Current/Power: 6.3A/2.5W
- Minimum Cross Section**
Conducting path - 0.2mm²
- Solderability**
235°C, 2 sec. (IEC 60068-2-20)
- Soldering Heat Resistance**
260°C, 10 sec. (IEC 60068-2-20)
- Unit Weight**
0.4g
- Packaging**
Bulk (5000 pcs.)
- Order Number**
Clip No. 521 0000 100

Clip / No. 519 lead free



PC Mount, 5x20mm Fuses Taped



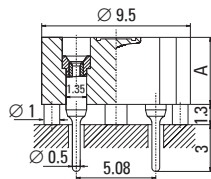
- Mounting**
PC Board, 5mm pin spacing
Solder pins 0.3 x 0.5mm
- Materials**
Clip: Copper alloy
Solderable, tinned
- Electrical Data (23°C)**
Rated Voltage: 250V
Max. Current/Power: 2.5A/1W
- Minimum Cross Section**
Conducting path - 0.2mm²
- Solderability**
235°C, 2 sec. (IEC 60068-2-20)
- Soldering Heat Resistance**
260°C, 10 sec. (IEC 60068-2-20)
- Unit Weight**
0.5g
- Packaging**
Tape/Reel (1000 pcs.)
- Order Number**
Clip No. 519 0000 100

Note: 1.00 means the number one with two decimal places. 1.000 means the number one thousand.

Specifications are subject to change without notice.

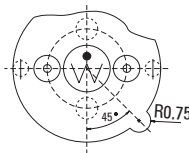
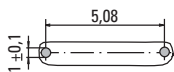
Holder / No. 560

PC Mount, for TR5®/TE5® Fuses



"A"	code	height
3.0 mm		13
4.3 mm		10

Holes in PCB



Specifications

Packaging

1	bulk (1000 pcs.)
0	bulk (500 pcs.)

Order Number

Holder	No. 560 0000 13 1
Holder	No. 560 0000 10 0
Holder	No. 560 0000 10 1

Mounting

PC Board, 5.08 mm pin spacing

Materials

Holder: Thermoplastic, UL 94 V-0
Polyester PCT
Metal parts: Copper alloy; solderable tinned

Electrical Data (23 °C)

Rated Voltage: 250 V
Max. Current/Power: 6.3 A/1.6 W

Soldering Heat Resistance

max. 280 °C, 10 s (Wave)

Minimum Cross Section

Conducting path - 0.1 mm²

Unit Weight

0.4 g



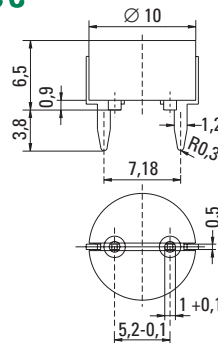
Order Information

Qty.	Order-Number	Series	code	height	Packaging
		560	0000		

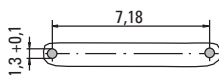
Specifications are subject to change without notice

Holder / No. 559

PC Mount, for TR5®/TE5® Fuses leadfree



Holes in PCB



Packaging

000	bulk (1000 pcs.)
-----	------------------

Mounting

PC Board, 7.18 mm pin spacing

Materials

Holder: Black Thermoplastic, UL94 V-0
Polyamide PA 6.6
Metal parts: Copper alloy; solderable tinned

Electrical Data (23 °C)

Rated Voltage: 250 V
Max. Current/Power: 6.3 A/1.6 W

Solderability

max. 260 °C, 10 s (Wave)

Minimum Cross Section

Conducting path - 0.1 mm²

Unit Weight

0.63 g



Order Information

Qty.	Order-Number	Series	code	Packaging
		559	0000	000

Specifications are subject to change without notice

Note: 1.00 means the number one with two decimal places. 1,000 means the number one thousand.