

STK Audio Power Amplifier

STK4145MK2 Series

- ★2ch./1package, ± Power Supply
- ★Built-in Latch-type Protection
- ★25W/ch. ~ 100W/ch.
- ★THD = 0.4%

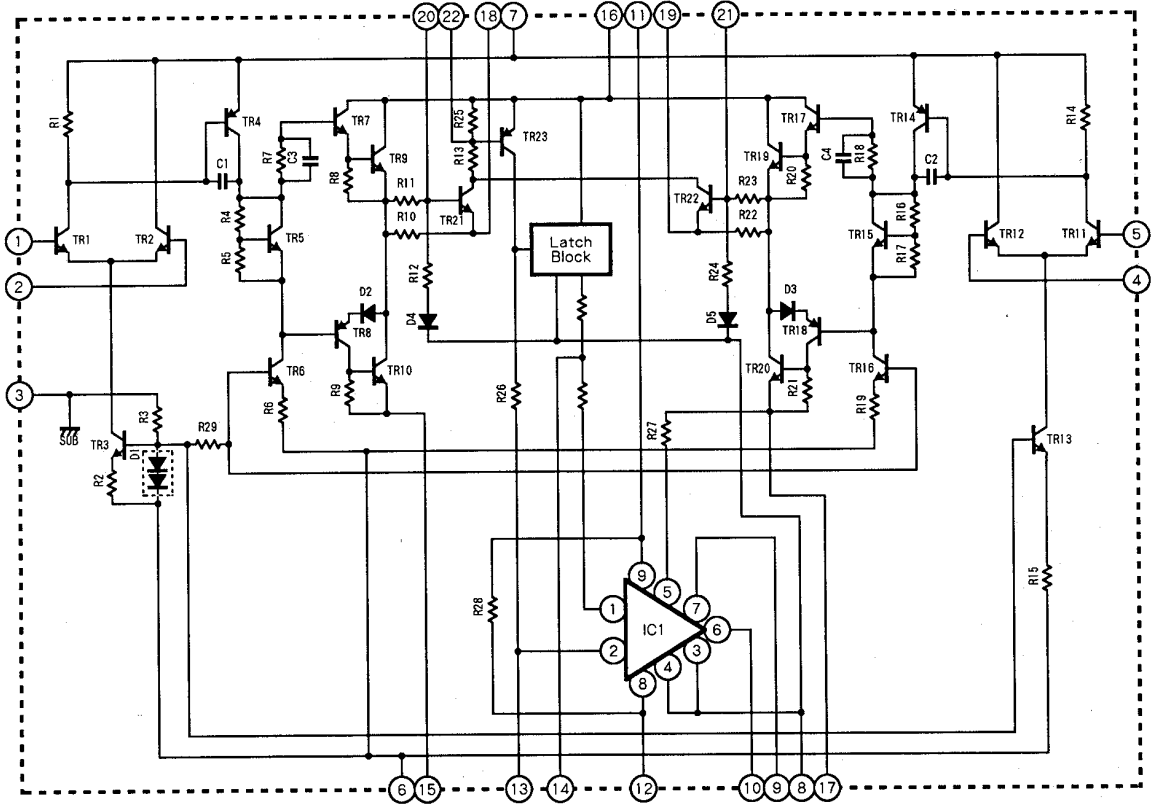
Model	Maximum Ratings 最大定格	Recommended Operating Conditions 推奨動作条件		Operating Characteristics (Recommend Operating Conditions at Test Circuit) 動作特性(Test Circuitにて 推奨動作条件による)			
	Vcc max [V]	Vcc [V]		Po max 1 RL=8Ω f=20~ 20kHz [W]	THD (V _G =40dB) [%]	Po max 2 RL=4Ω f=1kHz [W]	THD (V _G =40dB) [%]
		RL=8Ω	RL=4Ω				
*STK4145MK2	±40.0	±27.0	±22.0	25 + 25	0.4	25 + 25	1.0
STK4155MK2	±42.0	±28.0	±25.0	30 + 30	0.4	35 + 35	1.0
*STK4165MK2	±45.0	±30.5	±26.5	35 + 35	0.4	40 + 40	1.0
STK4175MK2	±48.0	±32.0	±28.0	40 + 40	0.4	45 + 45	1.0
*STK4185MK2	±50.0	±33.5	±30.0	45 + 45	0.4	50 + 50	1.0
STK4195MK2	±52.5	±35.0	±32.0	50 + 50	0.4	55 + 55	1.0
*STK4205MK2	±55.0	±38.5	-	60 + 60	0.4	-	-
*STK4215MK2	±60.0	±42.0	-	70 + 70	0.4	-	-
*STK4225MK2	±65.0	±45.0	-	80 + 80	0.4	-	-
*STK4235MK2	±75.0	±51.0	-	100 + 100	0.4	-	-

* Under mass production

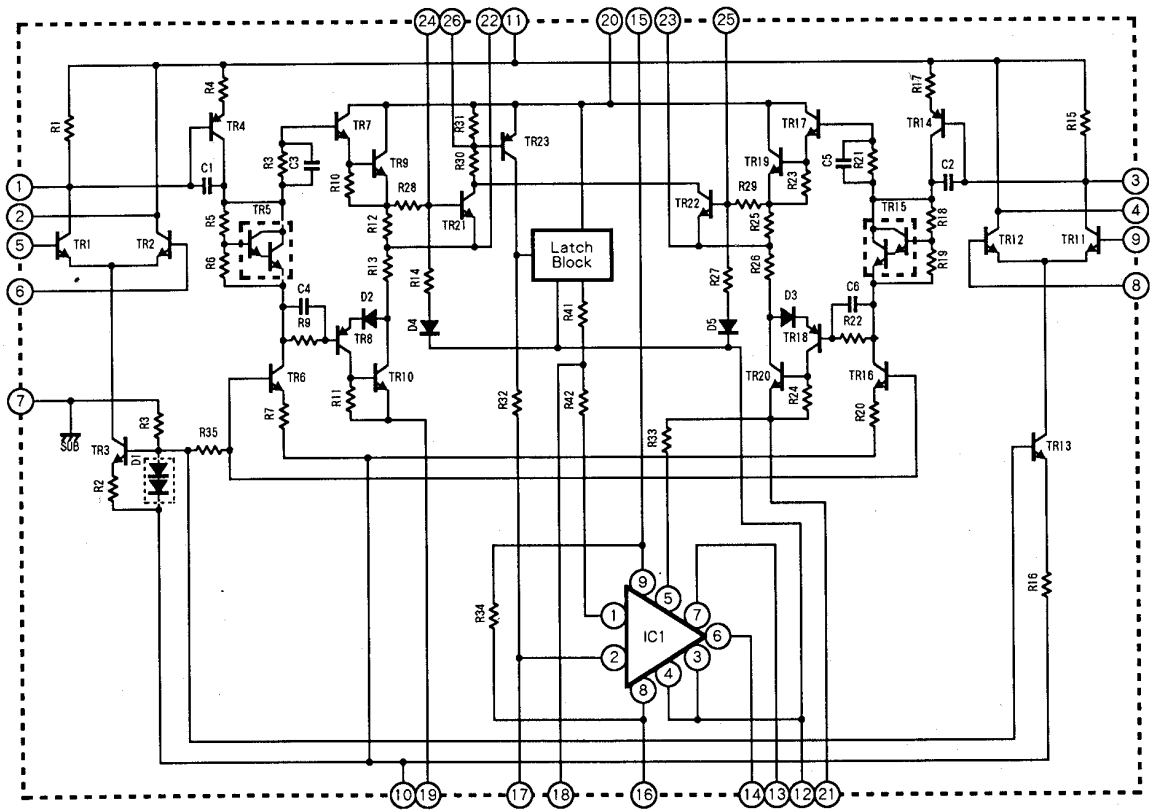


■ Equivalent Circuit

① STK4145MK2 ~ STK4195MK2

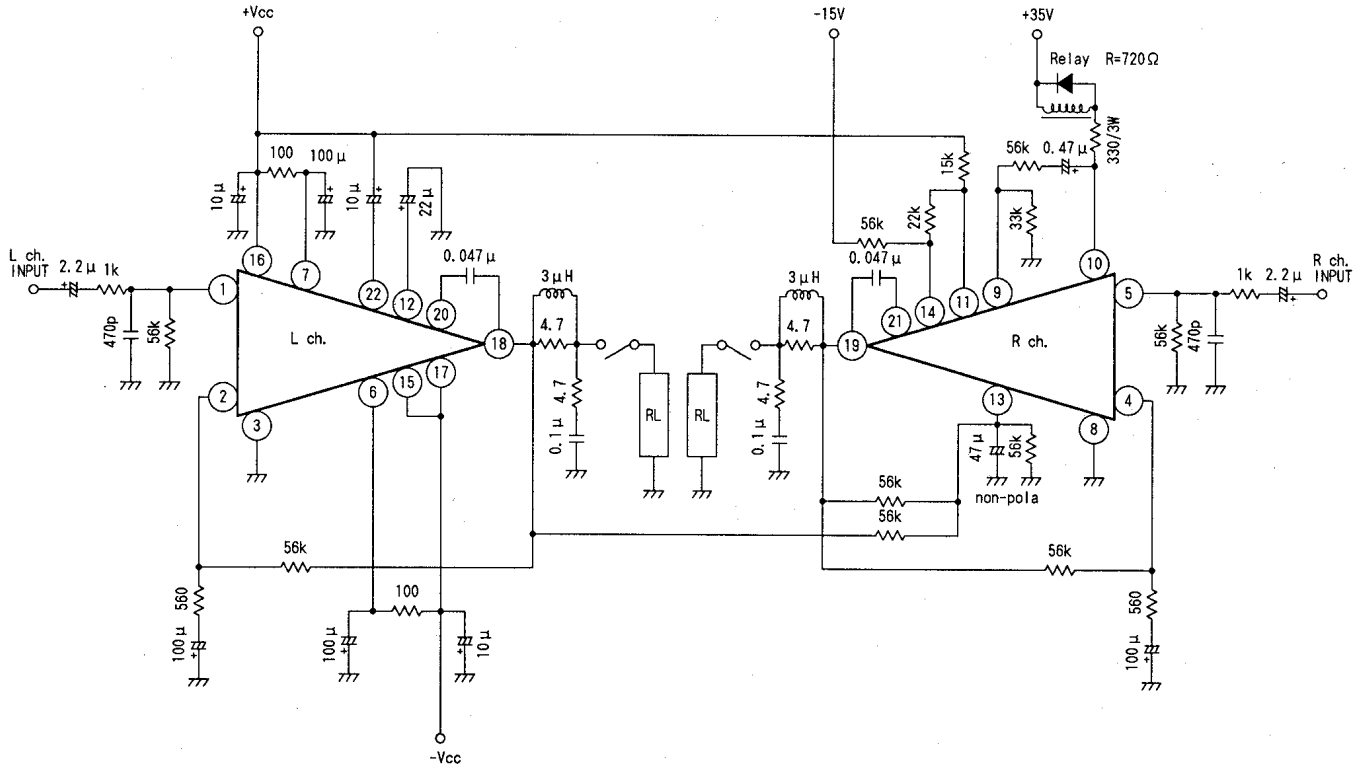


② STK4205MK2 ~ STK4235MK2

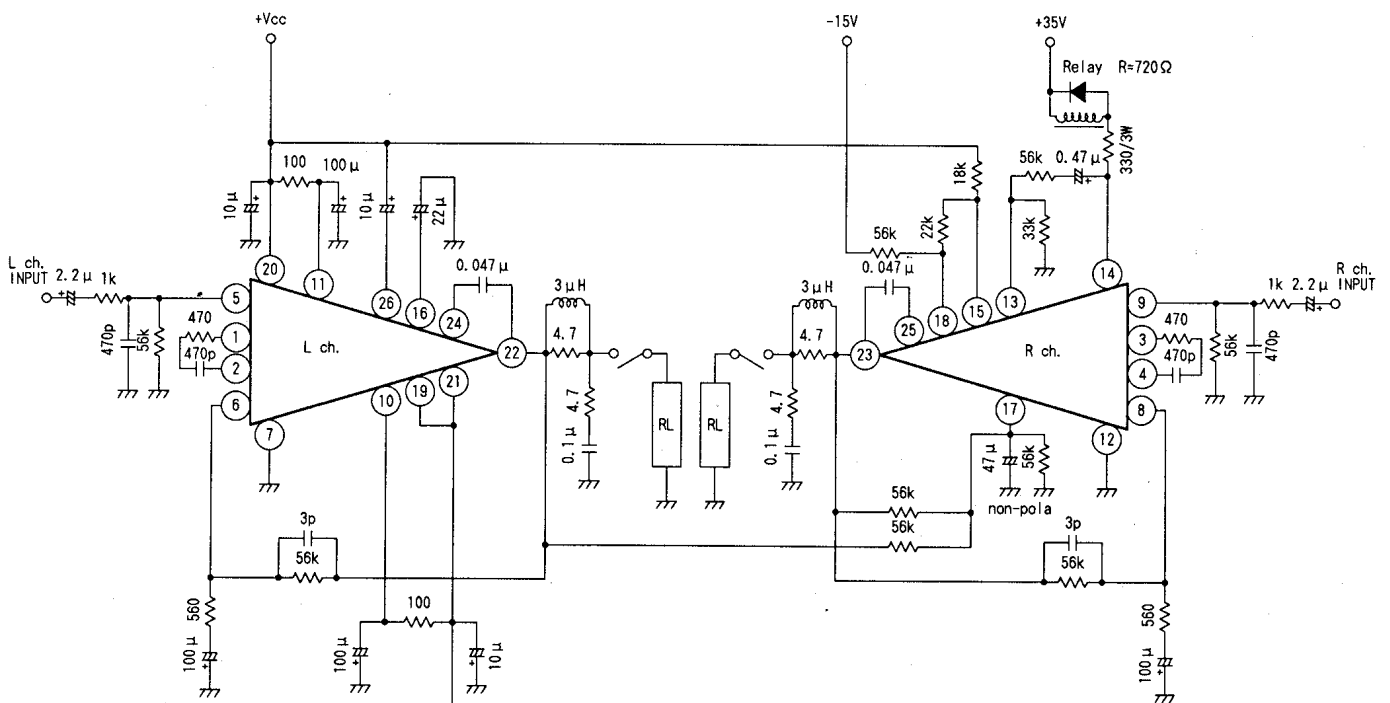


■ Test Circuit

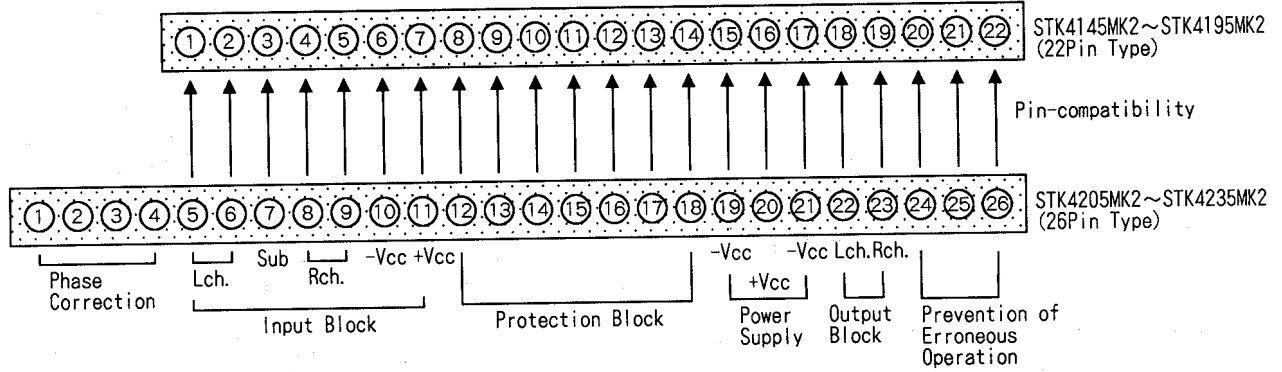
Ⓐ STK4145MK2 ~ STK4195MK2



Ⓑ STK4205MK2 ~ STK4235MK2

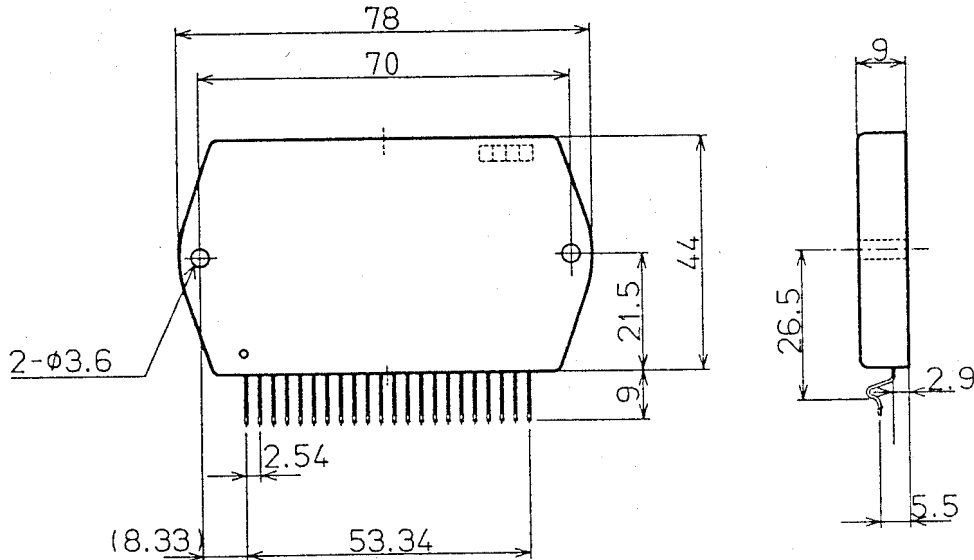


■ Pin - compatibility



■ Case Outline

Ⓐ STK4145MK2 ~ STK4195MK2



Ⓑ STK4205MK2 ~ STK4235MK2

